

REPAIR PARTS MANUAL
MODEL NO. 277310
Lawn Tractor

15, PHK 38" 5 GEAR 2004



HOW TO USE THIS MANUAL

This manual is designed to provide the customer with a means to identify the parts on his/her tractor when ordering repair parts. The illustrations may or may not represent the actual assemblies; therefore, it is not recommended to use this manual as a guide to assemble or disassemble the tractor. Some hardware and parts are drawn larger in order to more readily identify them.

Each tractor has its own model number.

The model number for your tractor can be found on the fender under the seat.

When ordering parts, always give the following information:

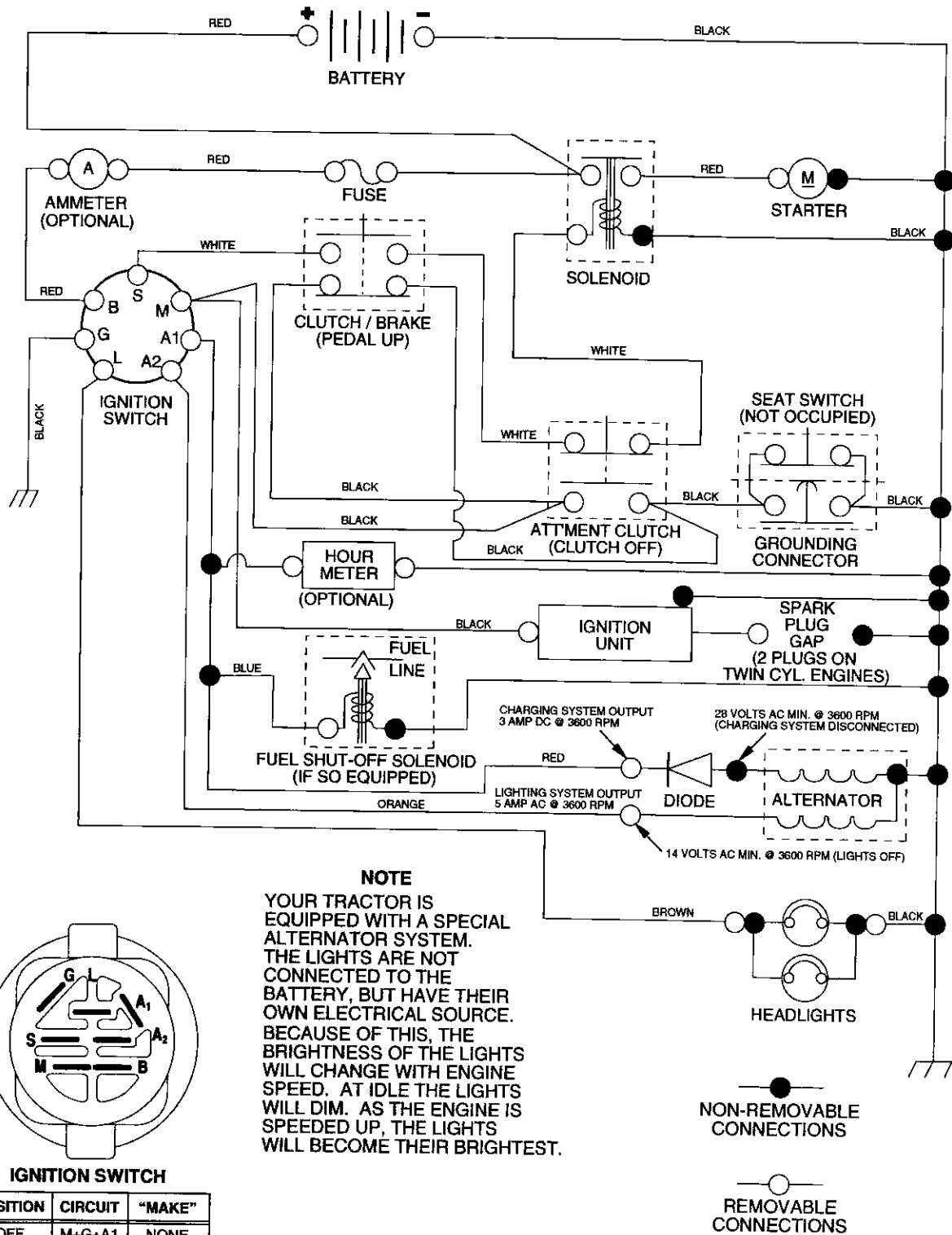
- Product - "Tractor"
- Model Number - "277310"
- Part Number
- Part Description

TABLE OF CONTENTS

SCHEMATIC	3
ELECTRICAL.....	4-5
CHASSIS.....	6-7
DRIVE.....	8-9
STEERING	10-11
SEAT	12
DECALS.....	13
ENGINE.....	14-15
MOWER LIFT	16-17
MOWER DECK	18-19
TRANSAXLE.....	20-21
ENGINE BREAKDOWN.....	22-27
WARRANTY	28

TRACTOR- -MODEL NO. 917. 277310

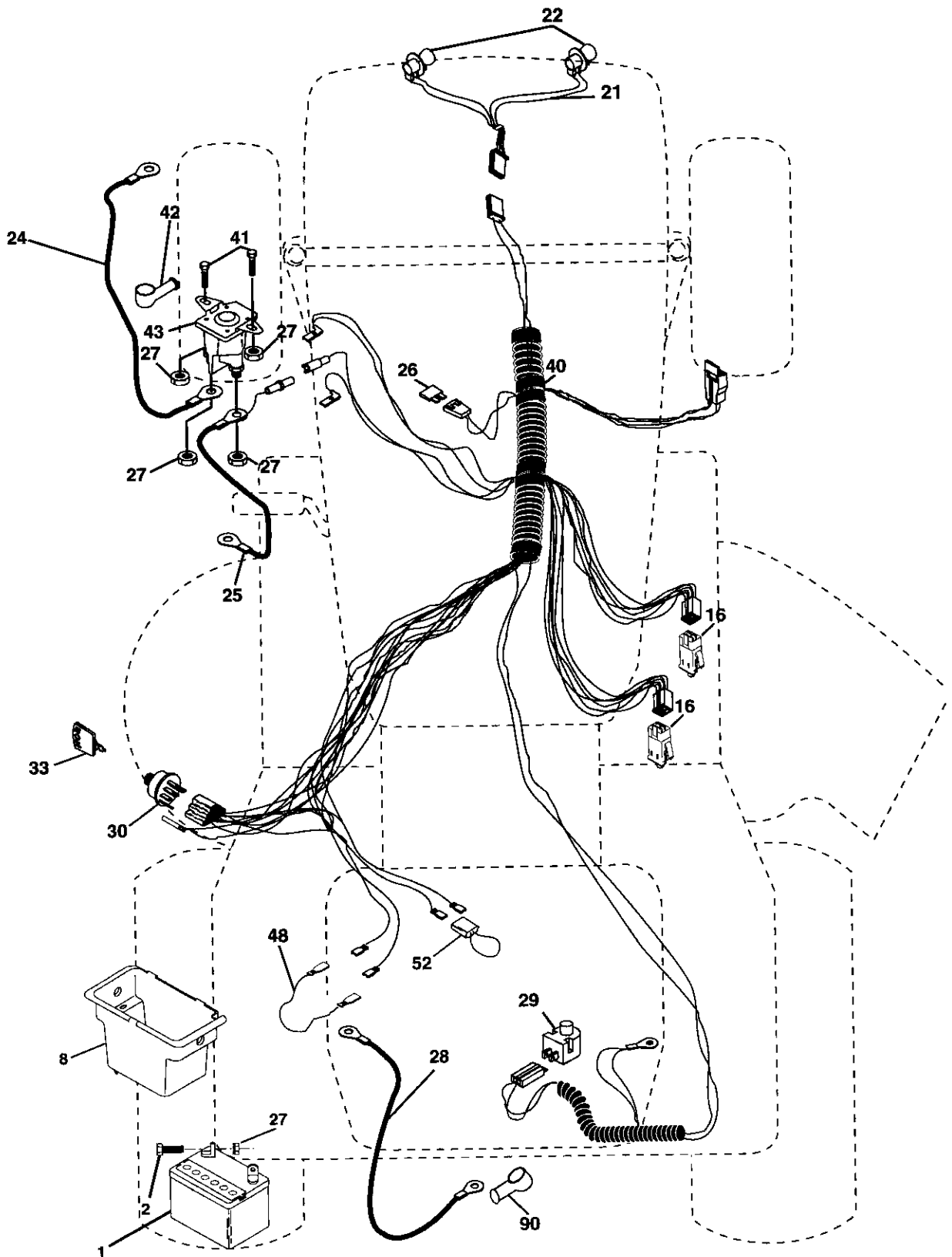
SCHEMATIC



REPAIR PARTS

TRACTOR- -MODEL NO. 917. 277310

ELECTRICAL



REPAIR PARTS

ELECTRICAL

TRACTOR- -MODEL NO. 917. 277310

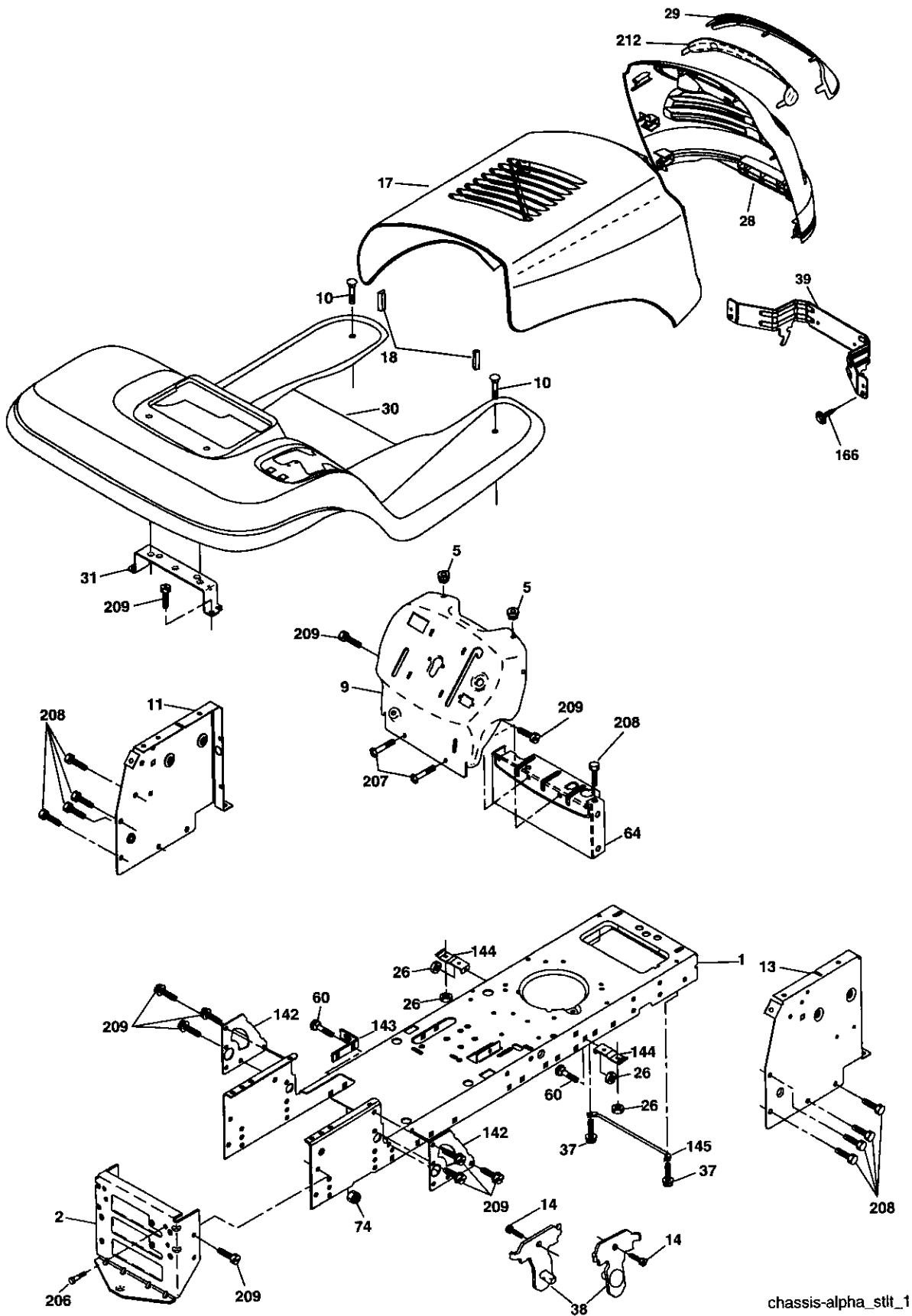
KEY NO.	PART NO.	DESCRIPTION
1	163465	Battery
2	74760412	Bolt Hex Hd 1/4-20 unc x 3/4
8	176689	Box Battery Fender
16	176138	Switch, Interlock
21	175688	Harness Asm Light W/4152j
22	4152J	Bulb Light #1156
24	4799J	Cable Battery 6 Ga. 11" red
25	146147	Cable Battery 6 Ga. w/16 wire red
26	175158	Fuse 20 AMP
27	73510400	Nut, Keps Hex 1/4-20 unc
28	4207J	Cable Ground 6 Ga. 12" black
29	121305X	Switch Plunger Nc Gray
30	175566	Switch Ign
33	140403	Key Ign Molded Craftsman
40	179720	Harness Ign
41	71110408	Bolt Blk. Fin Hex 1/4-20 Unc x 1/2
42	131563	Cover Terminal Red
43	178861	Solenoid
48	140844	Ammeter Adapter
52	141940	Protection Wire Loop
90	180499	Cover Battery Terminal

NOTE: All component dimensions give in U.S. inches
1 inch = 25.4 mm

REPAIR PARTS

TRACTOR- -MODEL NO. 917. 277310

CHASSIS AND ENCLOSURES



chassis-alpha_stit_1

REPAIR PARTS

TRACTOR- -MODEL NO. 917. 277310

CHASSIS AND ENCLOSURES

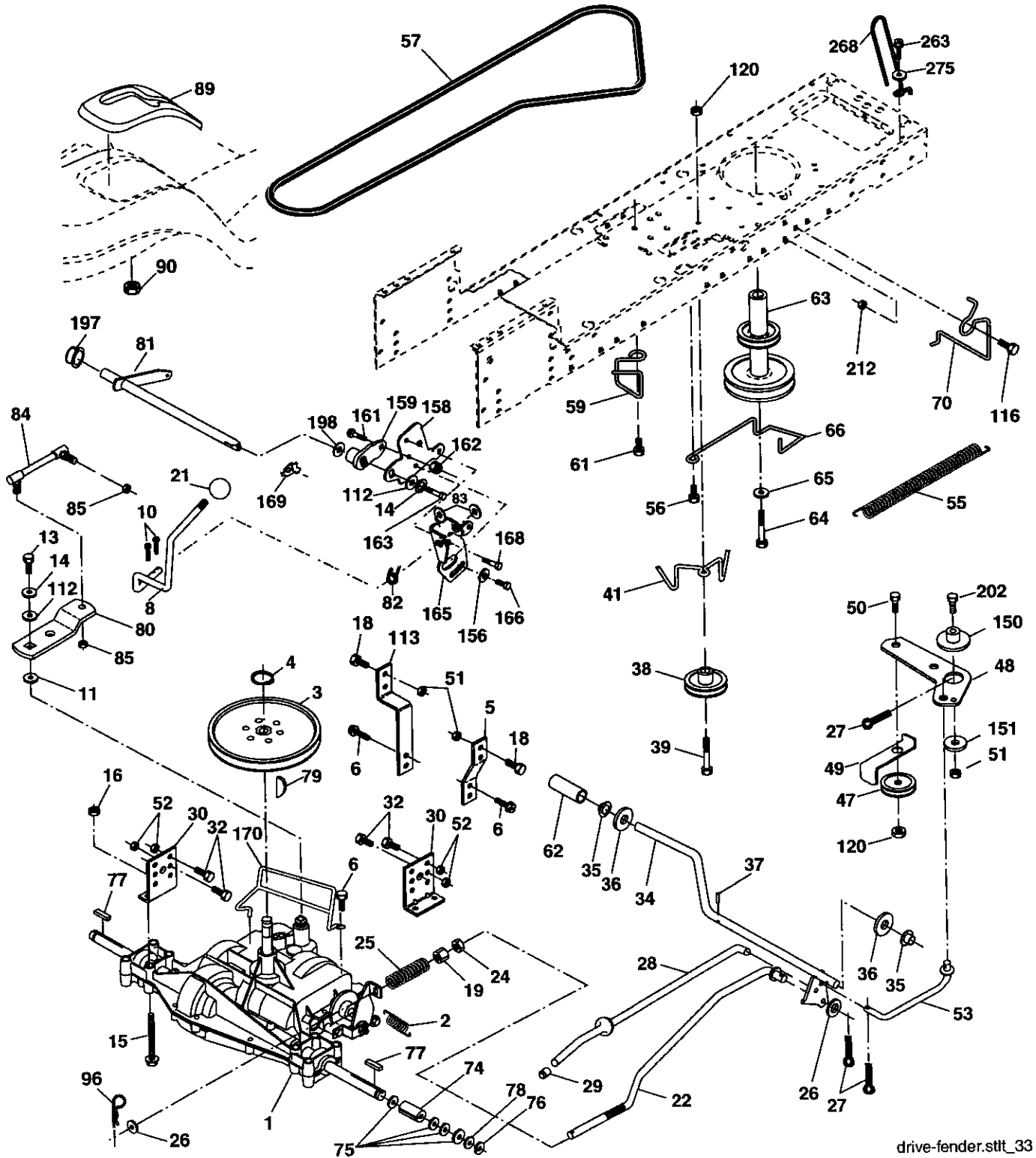
KEY NO.	PART NO.	DESCRIPTION
1	174619	Chassis Stamping
2	176554	Drawbar
5	155272	Bumper Hood/Dash
9	168336X013	Dash
10	STD533710	Bolt, Carriage 3/8-16 x 1
11	174996	Panel, Dash, L.H.
13	172105X010	Panel, Dash, R.H.
14	17490608	Screw Thdrol 3/8-16 x 1/2
17	187559X558	Hood Assembly Laser
18	184921	Bumper Extrusion
26	STD541437	Nut
28	187598	Grille Lens Asm (Include Key #'s 29 and 212)
29	187567X599	Lens, Laser
30	174738X558	Fend/Ftrest Pnt STLT
31	139976	Bracket, Fender Support
37	17490508	Screw Thdrol 5/16-18 x 1/2 Tyt
38	175710	Bracket Asm. Pivot Mower Rear
39	187568	Bracket Pivot
60	72140606	Bolt Rdhd Sqnk 3/8-16 unc x 3/4
64	154798	Dash Lower STLT
74	73680600	Nut Crownlock 3/8-16 unc
142	175702	Plate Reinforcement STLT
143	186689	Bracket Swaybar Chassis
144	175582	Bracket Pnt Footrest STLT
145	156524	Jod Pivot Chassis/Hood
166	171875	Screw HWHD Hi-Lo #13-16 x 3/4
206	170165	Bolt Shoulder 5/16 -18 TT
207	17670508	Screw Thdrol 5/16-18 x 1/2 TYTT
208	17670608	Screw Thdrol 3/8-16 x 1/2
209	17000612	Screw Thdrol 3/8-16 x 3/4
212	187569	Insert Lens Reflective
--	5479J	Plug, Button

NOTE: All component dimensions given in U.S. inches
1 inch = 25.4 mm

REPAIR PARTS

TRACTOR- -MODEL NO. 917. 277310

DRIVE



drive-fender.sttt_33

REPAIR PARTS

TRACTOR- -MODEL NO. 917. 277310

DRIVE

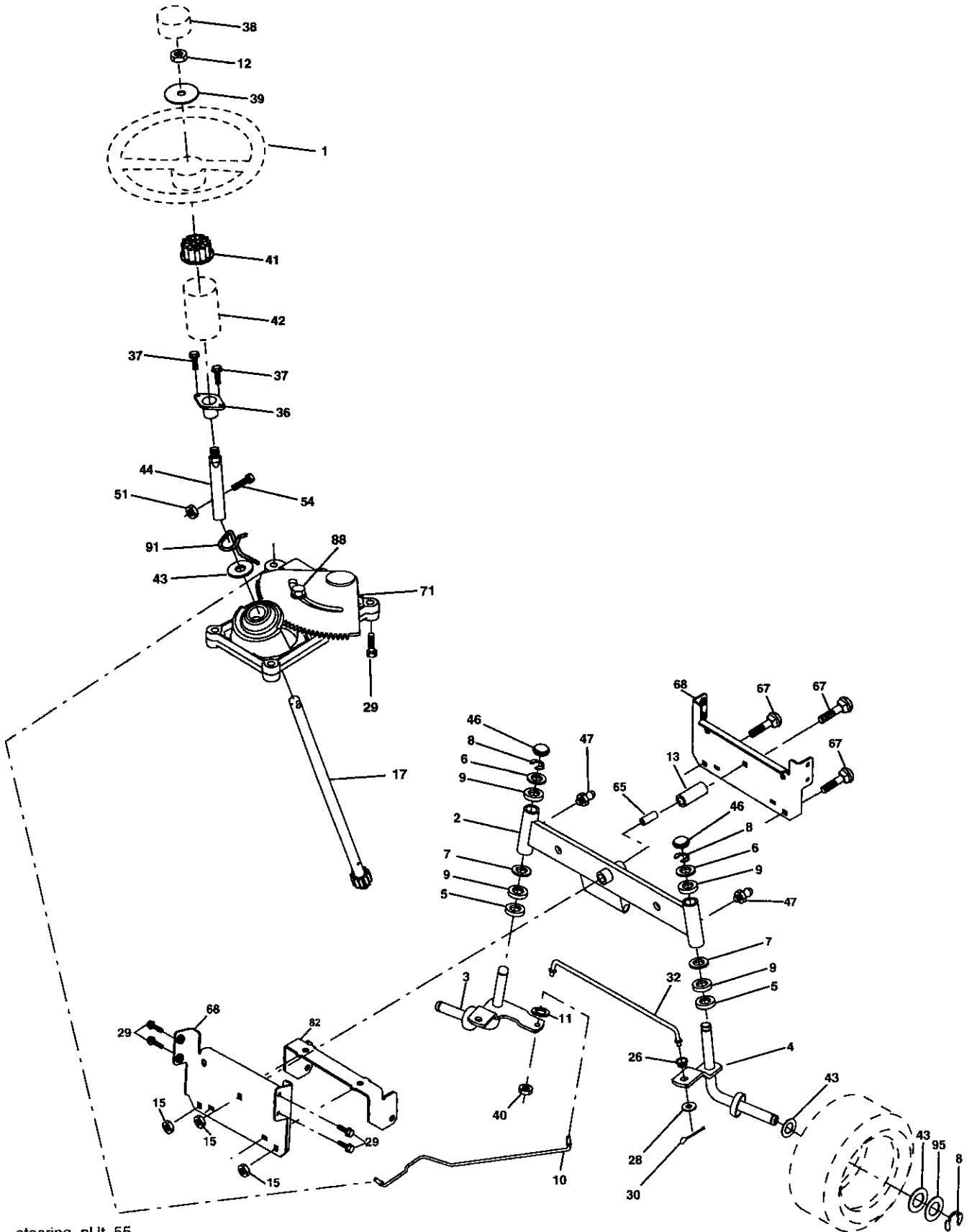
KEY NO.	PART NO.	DESCRIPTION	KEY NO.	PART NO.	DESCRIPTION
1	-----	Transaxle (See Breakdown)	64	173937	Bolt Hex 7/16-20 x 4 x Gr. 5
2	146682	Dana D4360-139	65	STD551143	Washer
3	123666X	Spring Brake Return	66	154778	Keeper Belt Engine Hydro
4	12000028	Pulley Transaxle	70	180218	Keeper Belt Engine
5	121520X	Ring Retainer	74	109502X	Spacer
6	17000612	Strap Torque 30 Degrees	75	121749X	Washer 25/32 x 1-1/4 x 16 Ga.
8	165866	Screw 5/16-18 x 3/4	76	STD581075	E-Ring
10	STD561210	Rod Shift Fender Adjust	77	123583X	Key, Square
11	105701X	Pin Cotter 1/8 x 1 CAD	78	121748X	Washer 25/32 x 1-5/8 x 16 Ga.
13	74550412	Washer Plate Shift	79	2228M	Key Woodruff
14	10040400	Bolt 1/4-28unf Gr. 8 W/Patch	80	131488	Arm Shift
15	74490544	Washer Lock Hvy Helical	81	165594	Shaft Asm Cross Tapered
16	STD541431	Bolt Hex FLGHD 5/16-18 x Gr. 5	82	165711	Spring Torsion
18	74780616	Nut Lock Hex W/Ins. 5/16-18 unc	83	19171216	Washer 17/32 x 3/4 x 16 Ga.
19	STD541437	Bolt Fin Hex 3/8-16 x 1 Gr. 5	84	166229	Link Transaxle
21	106933X	Nut Lock Hex W/Wsh 3/8-16 unc	85	150360	Knob
22	130804	Knob	89	158390X428	Nut Lock Center 1/4-20
24	73350600	Rod, Brake	90	124346X	Console, Shift
25	106888X	Nut, Hex Jam 3/8-16 unc	96	4497H	Nut Self-Thd Wsh-hd 1/4 Zinc
26	STD551037	Spring, Brake Rod	112	19091210	Retainer Spring 1" Zinc/Cad
27	STD561210	Washer 13/32 x 13/16 Ga.	113	127285X	Washer 9/32 x 3/4 x 10 Ga.
28	175765	Pin Cotter 1/8 x 3/4 CAD.	116	72140608	Strap Torque 90 Degrees
29	71673	Rod, Parking Brake	120	73900600	Bolt Rdhd Sqneck 3/8-16 x 1.25
30	174973	Cap, Parking Brake	150	175456	Nut Lock Flg 3/8-16
32	74760512	Bracket, Transaxle	151	19133210	Spacer Retainer
34	175578	Bolt Hex Hd 5/16-18 unc x 3/4	156	166002	Washer 13/32 x 2 x 10 Ga.
35	120183X	Shaft, Foot Pedal	158	165589	Washer Srrted 5/16 ID x 1.125
36	19211616	Bearing, Nylon	159	183900	Bracket Shift Mount
37	1572H	Washer	161	72140406	Hub Shift
38	179114	Pin, Roll	162	73680400	Bolt Rdhd Sqnk 1/4-20 x 3/4 Gr 5
39	72110622	Pulley, Composite, Flat	163	74780416	Nut Crownlock 1/4-20 unc
41	175556	Bolt Rdhd 3/8-16 unc x 2-3/4 Gr. 5	165	165623	Bolt Hex Fin 1/4-20 unc x 1 Gr 5
47	127783	Keeper, Belt Idler	166	17490510	Bracket Pivot Lever
48	154407	Pulley, Idler, V-Groove	168	165492	Screw 5/16-18 x 5/8
49	123205X	Bellcrank, Clutch	169	165580	Bolt Shoulder 5/16-18 x .561
50	72110612	Retainer, Belt	170	187414	Plate Fastening
51	STD541437	Bolt Carr 3/8-16 x 1-1/2	170	187414	Keeper Belt T/A
52	STD541431	Nut Crownlock 3/8-16 unc	197	169613	Nyliner Snap-In 5/8"ID
53	105710X	Nut, Crownlock 5/16-18 unc	198	169593	Washer Nyl 7/8 ID x .105" Hyd
55	105709X	Link, Clutch	202	72110614	Bolt Carr Sh 3/8-16 x 1-3/4 Gr. 5
56	17060620	Spring, Return, Clutch	212	145212	Nut Hex Flg. Lock
57	160855	Screw 3/8-16 x 1-1/4	263	17000612	Screw 3/8-16 x 3/4
59	169691	V-Belt	268	182402	Guard Muffler
61	17120614	Keeper, Center Span	275	19131614	Washer 13/32 x 1 x 14 Ga.
62	8883R	Screw . 3/8-16 x .875			
63	180219	Cover, Pedal			
		Pulley, Engine			

NOTE: All component dimensions given in U.S. inches
1 inch = 25.4 mm

REPAIR PARTS

TRACTOR- -MODEL NO. 917. 277310

STEERING ASSEMBLY



steering_pl.it_55

REPAIR PARTS

TRACTOR- -MODEL NO. 917. 277310

STEERING ASSEMBLY

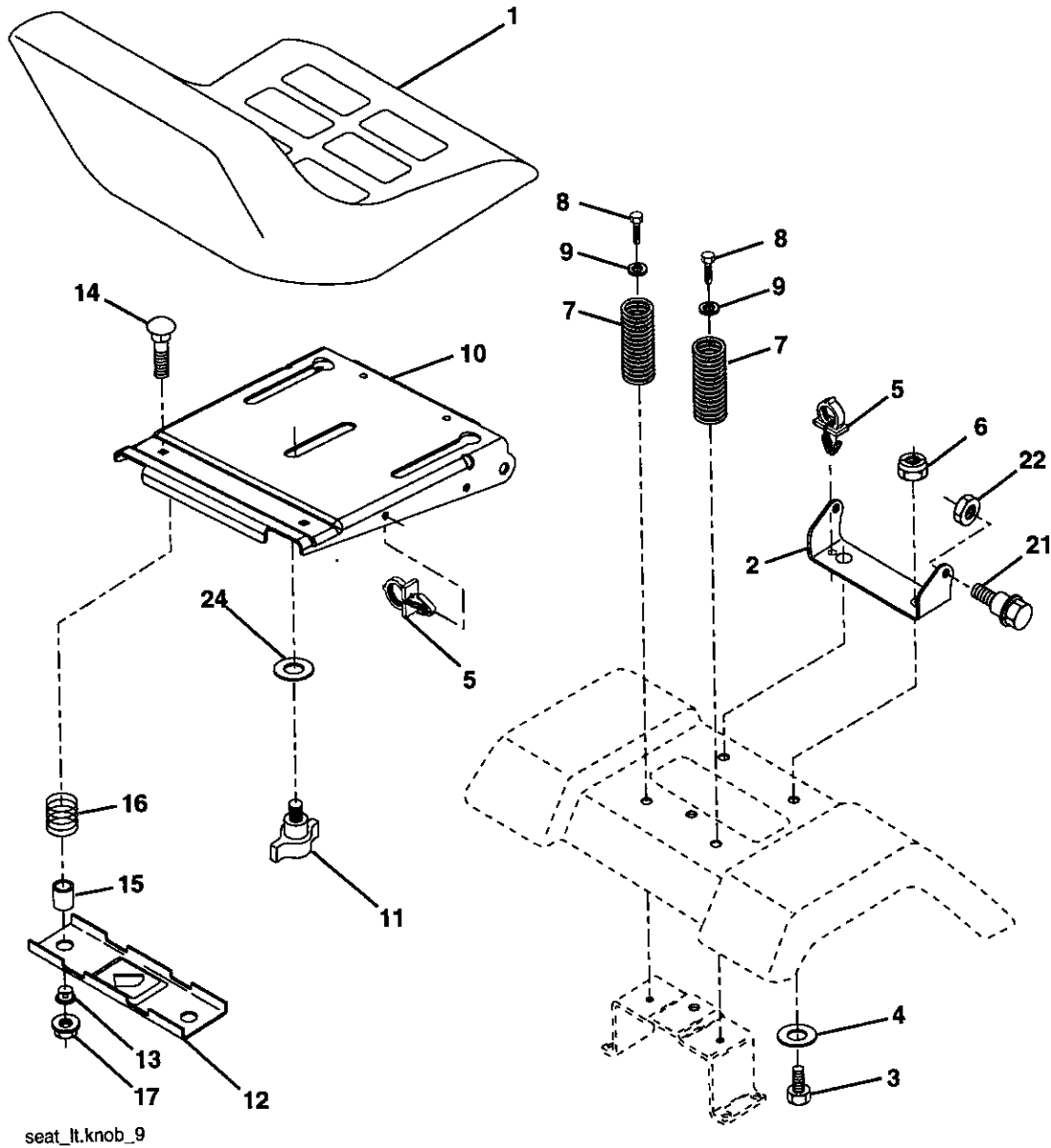
KEY NO.	PART NO.	DESCRIPTION
1	140044X428	Steering Wheel
2	175131	Axle Assembly STMP Dropped STL
3	169840	Spindle Assembly, L.H.
4	169839	Spindle Assembly, R.H.
5	6266H	Bearing, Race, Thrust, Hardened
6	121748X	Washer 25/32 x 1-5/8 x 16 Ga.
7	19272016	Washer 27/32 x 1-1/4 x 16 Ga.
8	12000029	Ring, Klip
9	3366R	Bearing, Steering Column
10	175121	Draglink
11	10040600	Washer, Lock
12	73940800	Nut Hex Jam Toplock 1/2-20 unf
13	136518	Spacer Brg Axle Front
15	145212	Nut, Hexflange Lock
17	180641	Shaft Assembly, Steering
26	126847X	Bushing, Link, Drag
28	19131416	Washer 13/32 x 7/8 x 16 Ga.
29	17000612	Screw 3/8-16 x 3/4
30	STD561210	Pin
32	130465	Rod, Tie
36	155099	Bushing, Steering
37	152927	Screw
38	140045X428	Insert, Steering Wheel
39	19183812	Washer 9/16 x 2-3/8
40	73540600	Nut Crownlock 3/8-24
41	186737	Adaptor, Steering Wheel
42	145054x428	Boot, Steering Shaft
43	121749X	Washer 25/32 x 1-1/4 x 16 Ga.
44	180640	Extension Shaft Steering
46	121232X	Cap, Spindle
47	183226	Fitting, Grease
51	73540400	Nut Crownlock 1/4-28
54	71130420	Bolt Hex 1/4-28 UNF x 1-1/4 Gr. 8
65	160367	Spacer Brace Axle
67	72110618	Bolt Rdhd Sqnk 3/8-16 x 2-1/4
68	169827	Axle, Brace
71	175146	Steering Asm
82	169835	Bracket Susp Chassis Front
88	175118	Bolt Shoulder 7/16-20
91	175553	Clip Steering
95	188967	Washer Harden .793 x 1.637 x .060

NOTE: All component dimensions given in U.S. inches
1 inch = 25.4 mm

REPAIR PARTS

TRACTOR- -MODEL NO. 917. 277310

SEAT ASSEMBLY



KEY NO.	PART NO.	DESCRIPTION
1	188716	Seat
2	180166	Bracket, Pivot, Seat
3	71110616	Bolt
4	19131610	Washer 13/32 x 1 x 10 Ga.
5	145006	Clip, Push-In Hinged
6	STD541437	Nut
7	124181X	Spring, Seat
8	17000616	Screw 3/8-16 x 1-1/2
9	19131614	Washer 13/32 x 1 x 14 Ga.
10	180186	Pan, Seat
11	166369	Knob Seat
12	121246X	Bracket, Switch Mounting

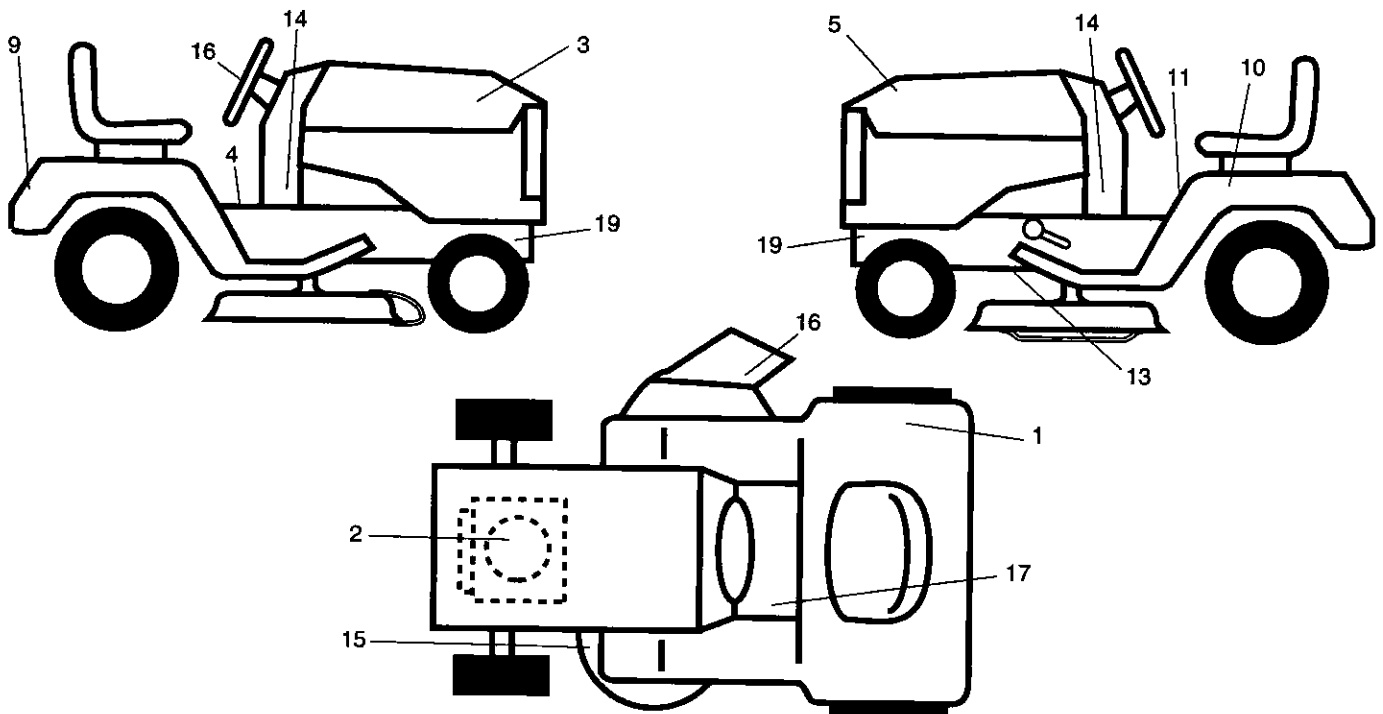
KEY NO.	PART NO.	DESCRIPTION
13	121248X	Bushing, Snap
14	72050412	Bolt, Carriage 1/4-20 x 1-1/2
15	134300	Spacer, Split .28 x .88
16	121250X	Spring
17	123976X	Locknut, Flange 1/4 Gr. 5
21	171852	Bolt, Shoulder 5/16-18 unc
22	STD541431	Nut
24	19171912	Washer 17/32 x 1-3/16 x 12 Ga.

NOTE: All component dimensions given in U.S. inches
1 inch = 25.4 mm

REPAIR PARTS

TRACTOR- -MODEL NO. 917. 277310

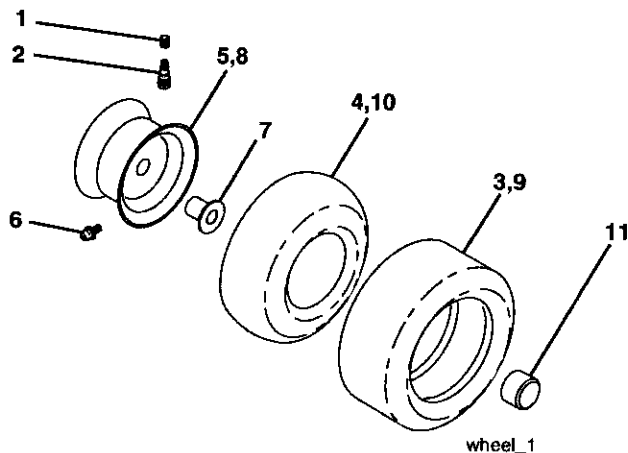
DECALS



KEY NO.	PART NO.	DESCRIPTION
1	180432	Decal, Fender DB/CE
2	184847	Decal, HP Engine
3	190959	Decal, Hood RH
4	140837	Decal, Brake Parking
5	190960	Decal, Hood LH
6	172275	Decal, Steering Whl.
9	184899	Decal, Fender
10	145005	Decal, Battery, Dngr/Psn Eng
11	145498	Decal, Read Owner's Manual
13	146046	Decal, V-Belt Dr Sch Tractor
14	181685	Decal, Panel Dash

KEY NO.	PART NO.	DESCRIPTION
15	136832	Decal, V-Belt Sch
16	182166	Decal, Cutfinger
17	159737	Decal, Brake/Clutch Symbol
19	159736	Decal, Chassis Hot Muffler
--	162598	Decal Drawbar Load Limit
--	138311	Decal, Lift Handle
--	184310X428	Pad Footrest LH STLT
--	184311X428	Pad Footrest RH STLT
--	190967	Operator's Manual, Euro
--	190968	Operator's Manual, Scan
--	188099	Manual, Parts

WHEELS & TIRES



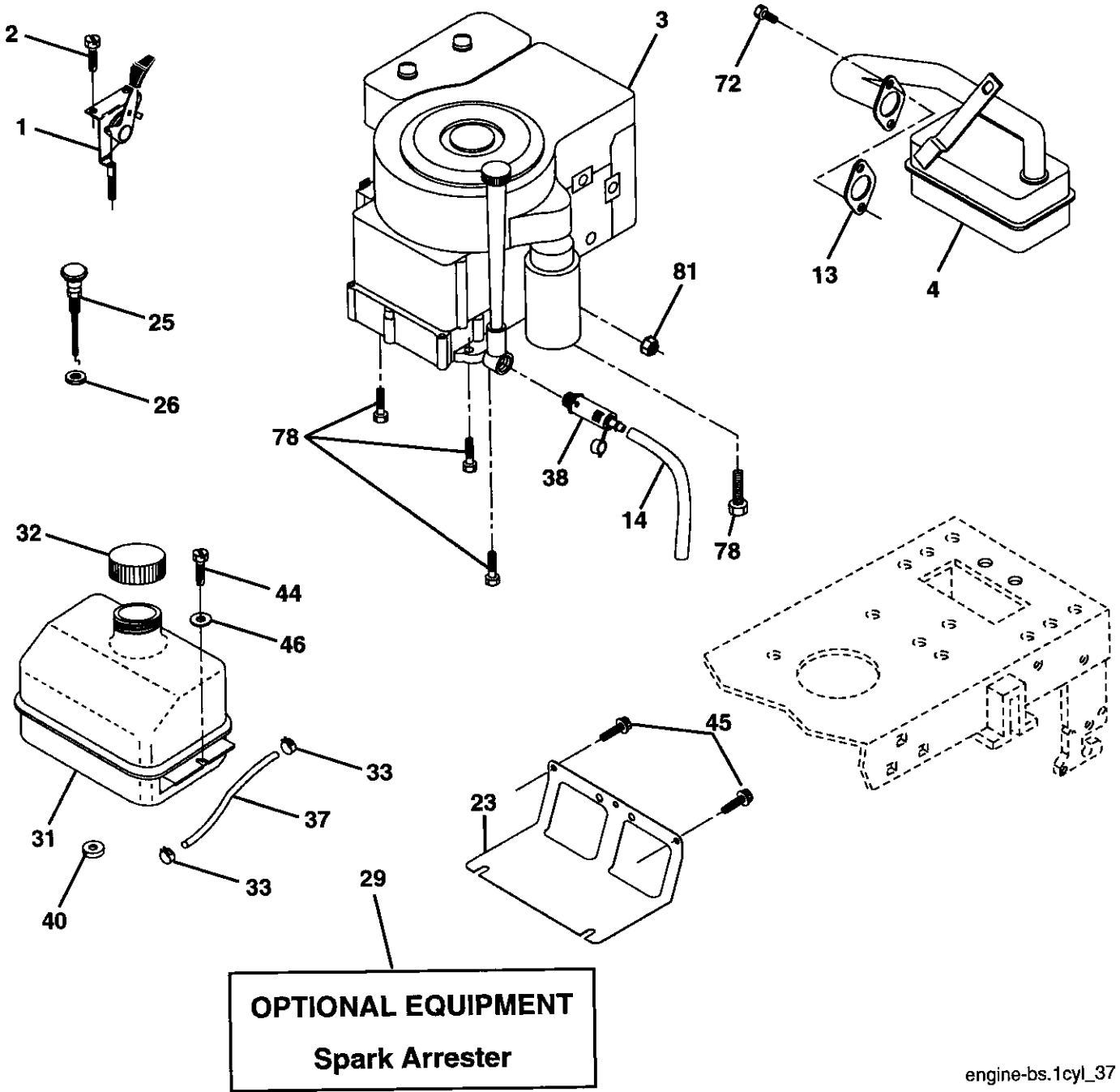
KEY NO.	PART NO.	DESCRIPTION
1	59192	Valve Cap, Tire
2	65139	Stem, Valve
3	106222X	Tire, Front
4	59904	Tube, Front Tire (Not Provided, Service Item Only)
5	106732X624	Rim, Front
6	278H	Fitting, Grease (Front Wheel Only)
7	9040H	Bearing, Flange (Front Wheel Only)
8	106108X624	Rim, Rear
9	124635X	Tire, Rear
10	7152J	Tube, Rear Tire (Not Provided, Service Item Only)
11	104757X428	Cap, Axle
--	144334	Sealant, Tire 10 oz.

NOTE: All component dimensions given in U.S. inches
1 inch = 25.4 mm

REPAIR PARTS

TRACTOR- -MODEL NO. 917. 277310

ENGINE



engine-bs.1cyl_37

REPAIR PARTS

TRACTOR- -MODEL NO. 917. 277310

ENGINE

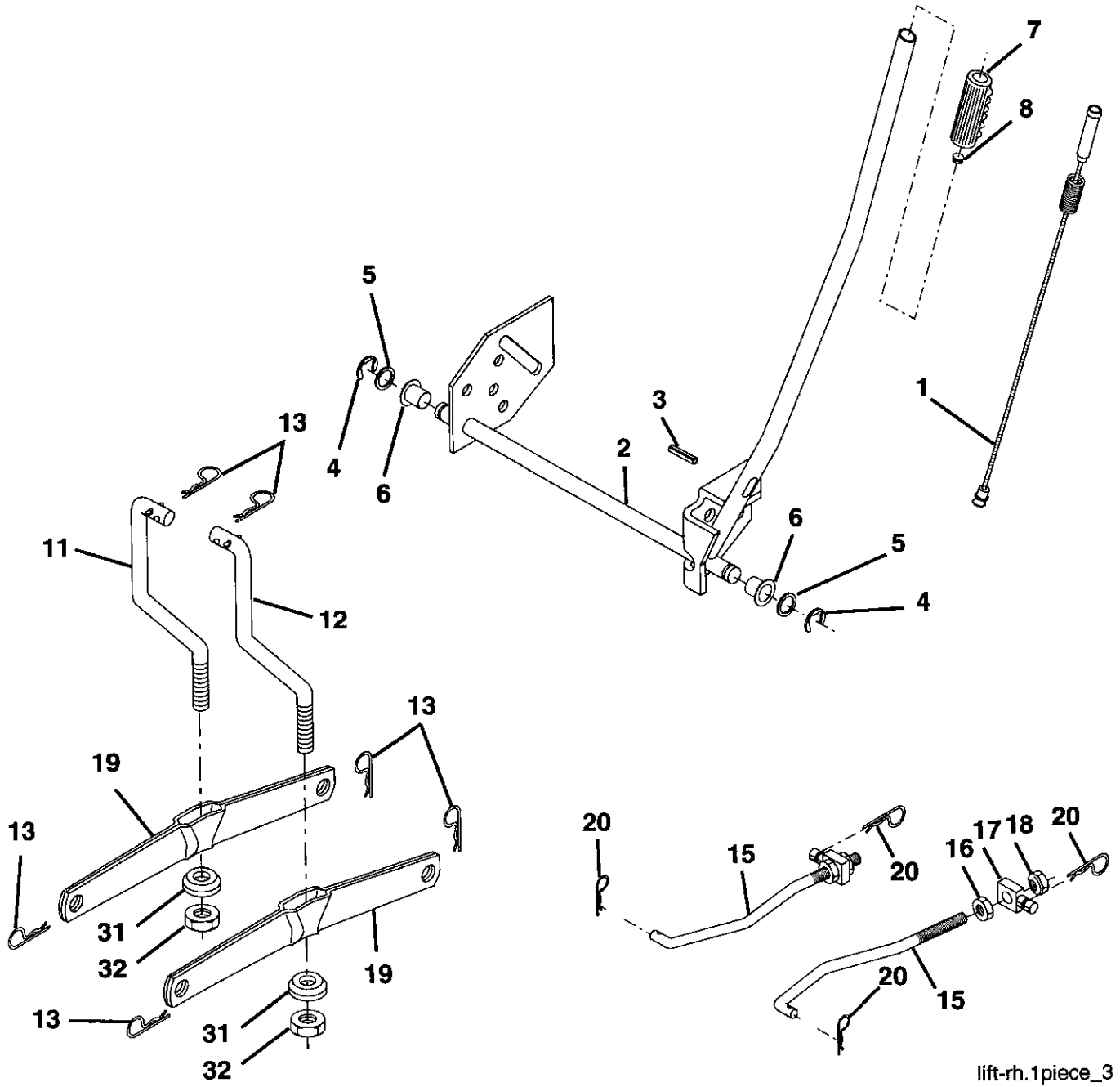
KEY NO.	PART NO.	DESCRIPTION
1	170551	Control, Throttle
2	17720408	Screw, Hex Head, Thread Cutting 1/4-20 x 5/8
3	-----	Engine, (See Breakdown) Briggs Model No. 282H07-0239-E1
4	137352	Muffler
13	165291	Gasket
14	148456	Tube Drain Oil Easy
23	169837	Shield Brn/Dbr Guard
25	180945	Control, Choke
26	73920600	Nut keps 3/8-24 unf
29	137180	Arrestor, Spark
31	184900	Tank, Fuel
32	140527	Cap Assembly Fuel
33	123487X	Clamp, Hose
37	137040	Line, Fuel
38	181654	Plug, Drain Oil Easy
40	124028X	Bushing Snap
44	17670412	Screw, Hex Washer Head, Thd., Roll. 1/4-20 x 3/4
45	17000612	Screw Hex Wsh Thdr 3/8-16 x 3/4
46	19091416	Washer 9/32 x 7/8 x 16 Ga.
72	183906	Screw Socket Head 5/16-18 x 1
78	17060620	Screw 3/8-16 x 1-1/4
81	73510400	Nut Keps Hex 1/4-20 unc

NOTE: All component dimensions given in U.S.
inches
1 inch = 25.4 mm

REPAIR PARTS

TRACTOR- -MODEL NO. 917. 277310

MOWER LIFT



lift-rh.1piece_3

REPAIR PARTS

TRACTOR- -MODEL NO. 917. 277310

MOWER LIFT

KEY NO.	PART NO.	DESCRIPTION
1	159460	Lift Lever Inner Wire Assembly
2	159471	Shaft Assembly, Lift
3	105767X	Pin, Groove
4	12000002	E-Ring
5	19211621	Washer 21/32 x 1 x 21 Ga.
6	120183X	Bearing, Nylon
7	125631X	Grip, Handle, Fluted
8	122365X	Button, Plunger, Red
11	139865	Link, Lift, L.H.
12	139866	Link, Lift, R.H.
13	STD624008	Retainer Spring
15	173288	Link, Front
16	73350800	Nut, Hex, Jam 1/2-13 unc
17	175689	Trunnion
18	73800800	Locknut, Hex, with Washer Insert 1/2-13 unc
19	139868	Arm, Suspension, Rear
20	163552	Retainer Spring
31	169865	Bearing, Pvt, Lift
32	73540600	Nut, Crownlock 3/8-24

NOTE: All component dimensions given in U.S. inches
1 inch = 25.4 mm

REPAIR PARTS

TRACTOR- -MODEL NO. 917. 277310

MOWER

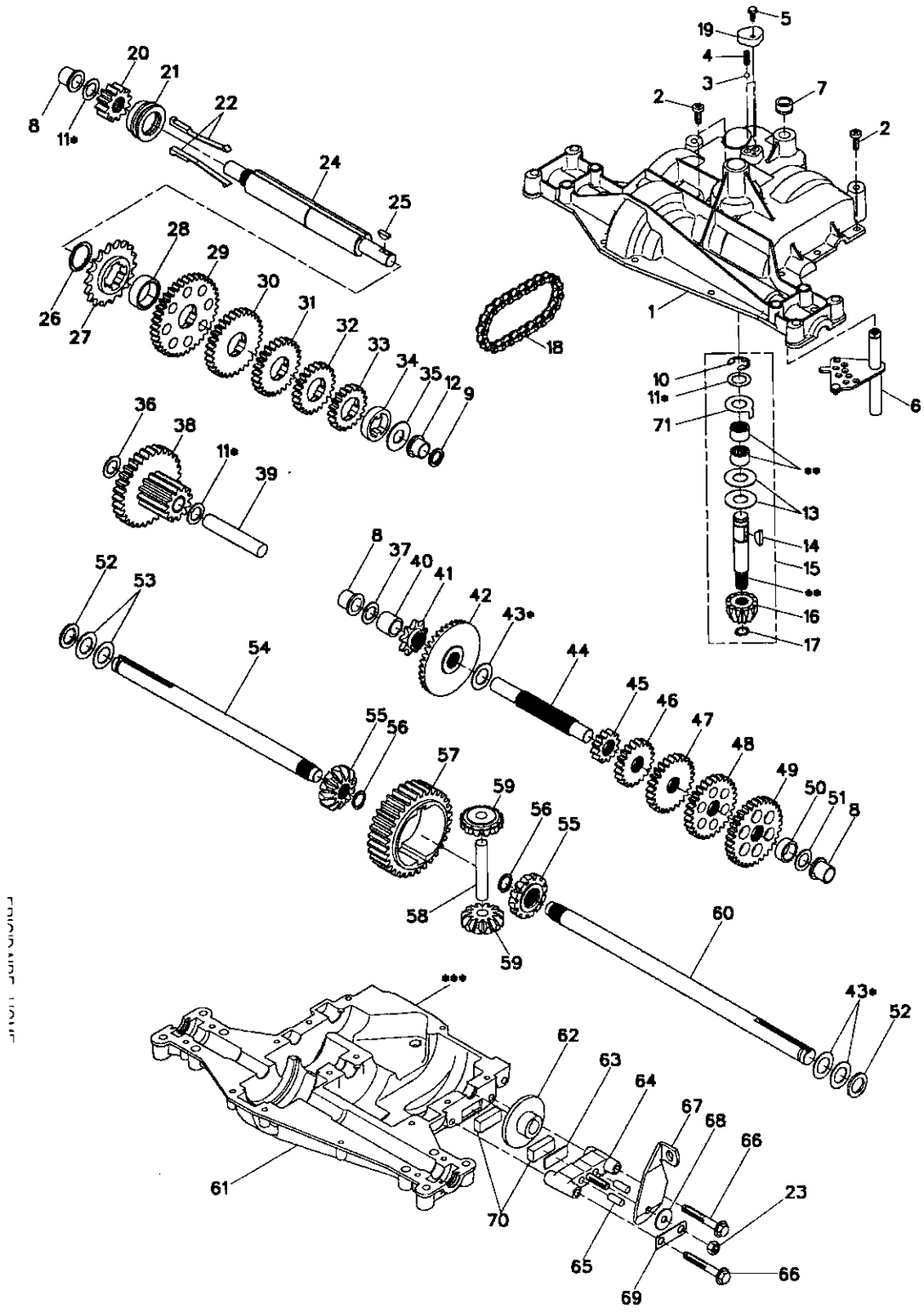
KEY NO.	PART NO.	DESCRIPTION	KEY NO.	PART NO.	DESCRIPTION
1	170280	Mower Housing Assembly	86	7631J	Runner, LH
2	72140506	Bolt, Carriage 5/16-18 x 3/4	87	128772	Runner, RH
3	138017	Bracket Asm. Fram Sway Bar	88	19111216	Washer 11/32 x 3/4 x 16 Ga.
4	169970	Bracket, Asm. Deck Sway Bar	89	19131311	Washer 13/32 x 13/16 x 11 Ga.
5	4939M	Retainer, Spring	92	73800600	Nut Lock Hex w/Ins. 3/8-16
6	178024	Bar Sway Deck	96	74930620	Bolt 3/8-16 x 1-1/4
8	850857	Bolt, Hex 3/8-24 x 1-1/4 Gr. 8	97	73930600	Nut Centerlock 3/8-16
9	10030600	Washer, Lock, Hlcl Sprg 3/8	98	19132016	Washer 13/32 x 1-1/4 x 16 Ga.
10	140296	Washer, Hard Blade Mower Vented (The following blades are available)	99	10040600	Washer Lock Hvy Hlcl Spr. 3/8
11	134148	Blade, 38" Mulching Std (For mulching mowers only)	100	135651	Nut Wing
13	137645	Shaft and Bearing Assembly (In- cludes Key Number 15)	101	132803	Cover Asm Mulching 38"
14	128774	Mandrel Housing, Vented	107	133502	Spacer, Retainer
15	110485X	Ball Bearing, Mandrel	108	133503	Stiffener, Idler Arm
16	174493	Stripper, Mower, Vented	109	74760640	Bolt, Hex Head 3/8-16 x2-1/2
19	132827	Bolt, Shoulder	110	142587	Upstop Deck Front 38"
21	73680500	Nut, Crownlock 5/16-18	113	17060512	Screw 5/16-18 x 3/4
23	137607	Bracket, Mower Deflector	122	131289	Rod, Brake, LH
24	105304X	Cap, Sleeve	123	169971	Rod, Brake, RH
25	123713X	Spring, Deflector	129	19131312	Washer 13/32 x 13/16 x 12 Ga.
26	110452X	Nut, Push	130	74780616	Bolt Fin Hex 3/8-16 unc x 1 Gr. 5
27	106736X428	Shield, Deflector	131	72140608	Bolt Rdhd Sqnk 3/8-16 unc x 1
28	19111016	Washer 11/32 x 3/4 x 16 Ga.	146	165891	Bolt Carriage Idler
29	106735X	Rod, Hinge	148	169022	Spring Return Idler
30	173984	Screw, Thdro	149	165898	Retainer Spring Yellow Zinc
31	187690	Washer, Spacer	150	19091210	Washer 9/32 x 3/4 x 10 Ga.
32	153532	Pulley, Mandrel	152	172758	Cable Clutch 38 In
33	178342	Nut, Flangelock 9/16	158	17720408	Screw Hex Thd Cut 1/4-20 x 1/2
36	131494	Pulley, Idler, Flat	185	188234	Head Asm. Cable Clutch
40	73680600	Nut Crownlock 3/8-16	--	130794	Mandrel Assembly (Includes Hous- ing, Shaft and Shaft Hardware Only-Pulley Not Included)
45	4497H	Retainer, Spring	--	181209	Replacement Mower, Complete (Std. Deck - Order separately mulcher cover components key nos. 96-101)
53	130840	Brake Assembly			
54	178515	Washer Hardened			
55	133840	Idler Arm Assembly			
56	165723	Spacer, Retainer			
67	149846	Knob			
68	180214	Belt			

NOTE: All component dimensions given in U.S. inches
1 inch = 25.4 mm

REPAIR PARTS

TRACTOR--MODEL NO. 917. 277310

DANA TRANSAXLE - MODEL NUMBER D4360-139



REPAIR PARTS

TRACTOR- -MODEL NO. 917. 277310

DANA TRANSAXLE - MODEL NUMBER D4360-139

KEY NO.	PART NO.	DESCRIPTION	KEY NO.	PART NO.	DESCRIPTION
1	170981	Housing, Upper	41	105928X	Sprocket, 9T
2	2274J	Screw, Tapping, 1/4-20 X .734	42	170988	Gear, Bevel, 36T
3	134400	Ball, Detent	43	134394	* Assy, Kit, Shim, .750 Shaft
4	105904X	Spring, Detent	44	120473X	Shaft, Drive
5	160940	Screw, Tapping, No. 10-24 X .482	45	142678	Gear, Spur, 12T
6	138235	Assy, Kit, Shifter	46	124641 X	Gear, Spur, 20T
7	108727X	V-Ring	47	106589X	Gear, Spur, 25T
8	148266	Bearing, Flange	48	120408X	Gear, Spur, 28T
9	148269	Seal, Oil	49	105937X	Gear, Spur, 31T
10	2225J	Ring, Retaining	50	105936X	Spacer, .781 X 1.00 X .375
11	134793	* Assy, Kit, Shim, .625 Shaft	51	2226J	Washer, Plain, .632 X 1.00 X .060
12	148268	Bearing, Flange	52	134401	Washer, Neoprene
13	120415X	Washer, Plain, .632 X 1.38 X .046	53	2264J	Washer, Plain, .758 X 1.25 X .031
14	142674	Key, Woodruff, No. 9	54	160946	Axle, LH
15	170983	Assy, Kit, Input Shaft	55	170990	Gear, Miter, T, Splined
16	170986	Pinion, Bevel, 12T	56	160948	Ring, Retaining
17	105909X	Ring, Retaining	57	110071X	Gear, Spur, 32T
18	105910X	Chain, 24 Pitches	58	120952X	Shaft, Cross
19	160942	Cover, Detent	59	170991	Gear, Miter, 1 2T, Idler
20	160943	Gear, Spur, 1 2T	60	160950	Axle, RH
21	148267	Collar, Clutch	61	170992	Housing, Lower
22	138236	Assy, Kit, Clutch Keys	62	7294J	Disc, Brake
23	73810500	Nut, Lock, 5/16-24	63	108989X	Spacer, Brake Puck
24	142676	Shaft, Intermediate	64	160952	Jaw, Brake
25	2244J	Key, Woodruff, No. 61	65	120954X	Pin, Dowel
26	105916X	Ring, Retaining	66	160953	Screw, Tapping, 5/16-18 X 2.35
27	120470X	Sprocket, 1 8T	67	138244	Lever, Actuating
28	110070X	Spacer, 1. 131 X 1.45 X .494	68	108996X	Washer, Plain, .321 X 1.00 X .055
29	142677	Gear, Spur, 37T	69	160954	Bracket, Anti-Rotation
30	124644X	Gear, Spur, 30T	70	120951X	Puck, Friction
31	108980X	Gear, Spur, 25T	71	174256	Washer, Anti Rotation
32	120406X	Gear, Spur, 22T	72	120416X	Grease
33	134796	Gear, Spur, 1 9T			
34	134797	Spacer, 1. 133 X 1.50 X .375			
35	105925X	Washer, Plain, .640 X 1.37 X .061			
36	2228J	Washer, Plain, .632 X 1.00 X .046			
37	170987	Washer, Plain, .632 X 1.00 X .031			
38	174255	Assy, Gear, Comb., 12T & 30T			
39	124639X	Shaft, Idler			
40	120472X	Spacer, .633 X .87 X .755			

NOTE: All component dimensions given in U.S. inches
1 inch = 25.4 mm

* Use in various combinations to maintain proper clearances.

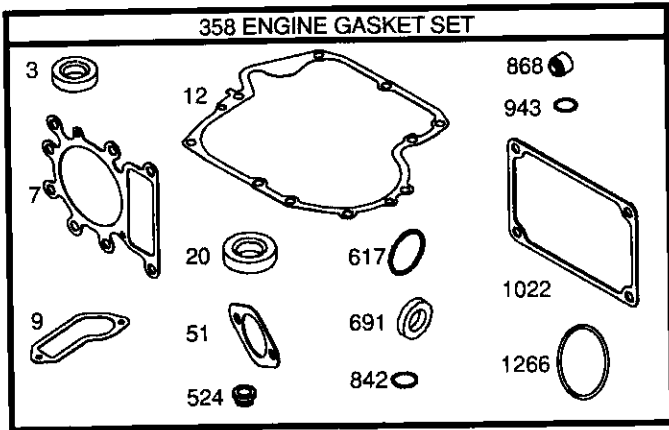
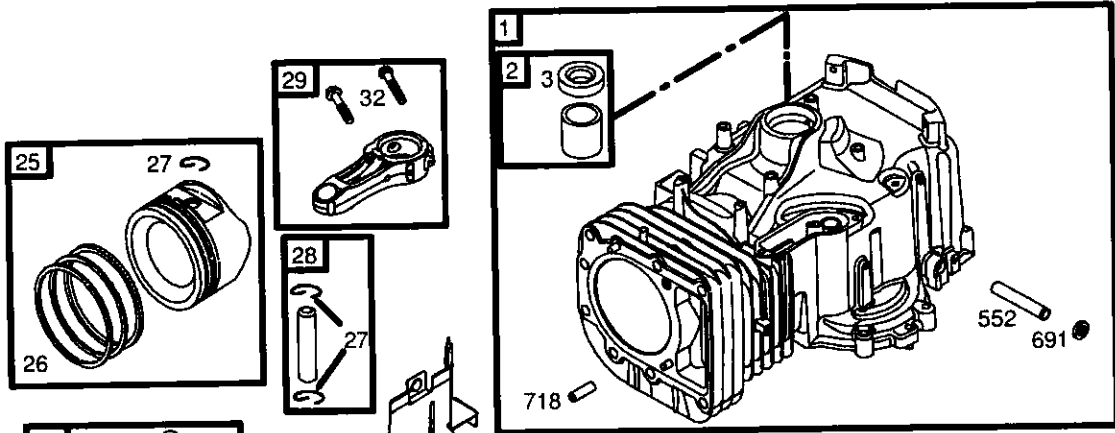
** Order Key No. 15.

*** Silicone Sealant to be applied between Upper and Lower Housings (use Loctite Ultra Gray Silicone 5699 or equivalent).

REPAIR PARTS

TRACTOR--MODEL NO. 917. 277310

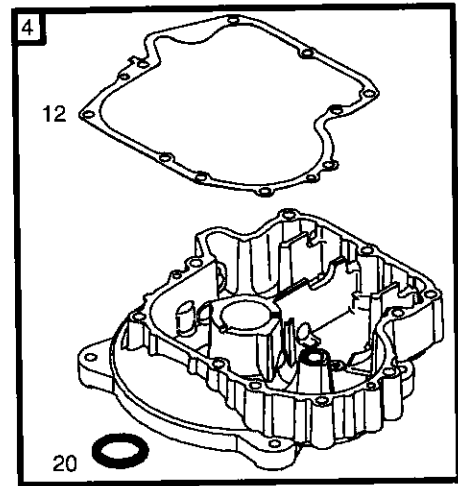
BRIGGS & STRATTON ENGINE -- MODEL NUMBER 282H07, TYPE NUMBER 0239-E1



1019 LABEL KIT

1058 OWNER'S MANUAL

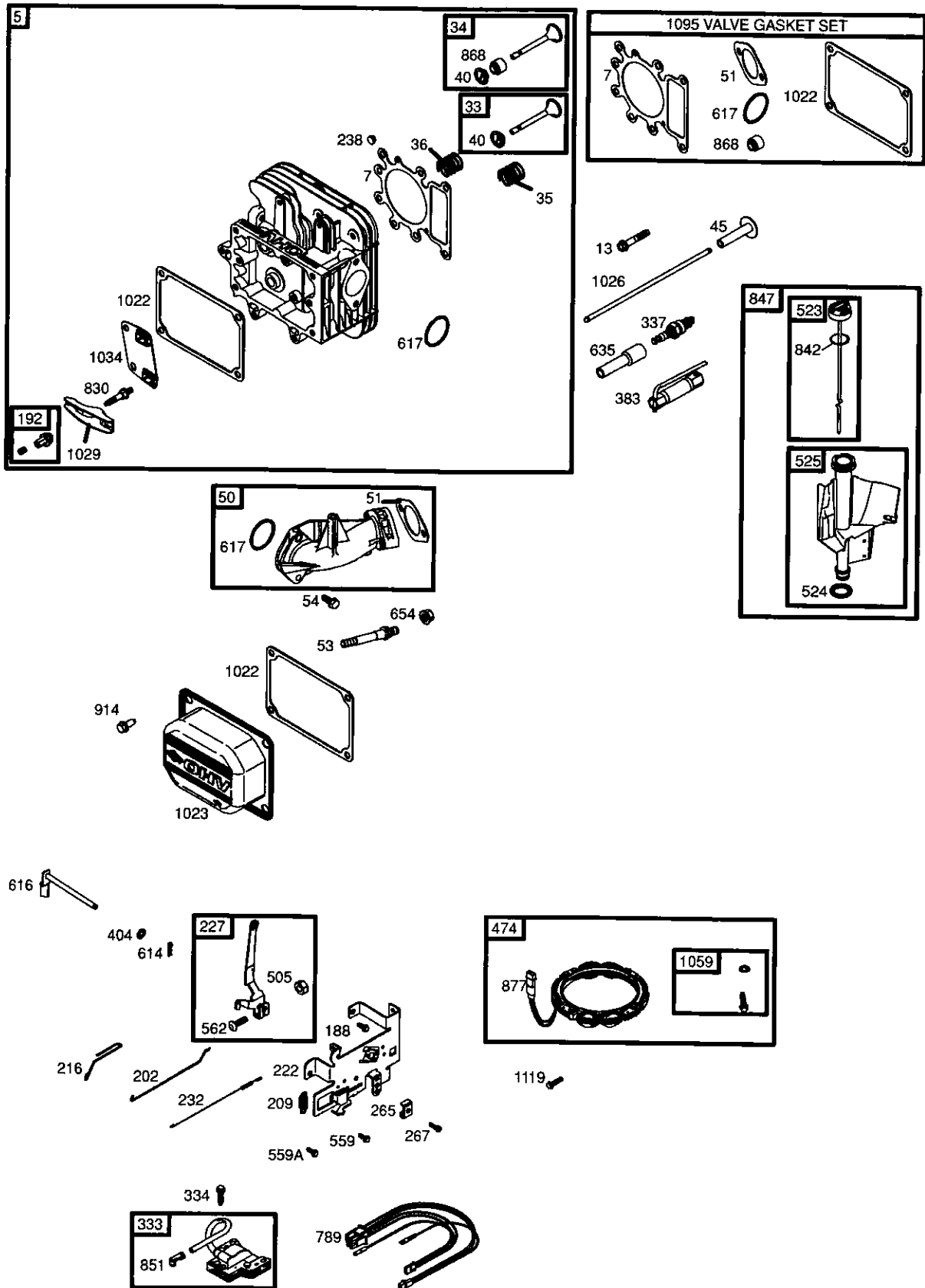
1036 EMISSION LABEL



REPAIR PARTS

TRACTOR- -MODEL NO. 917. 277310

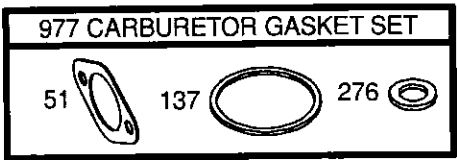
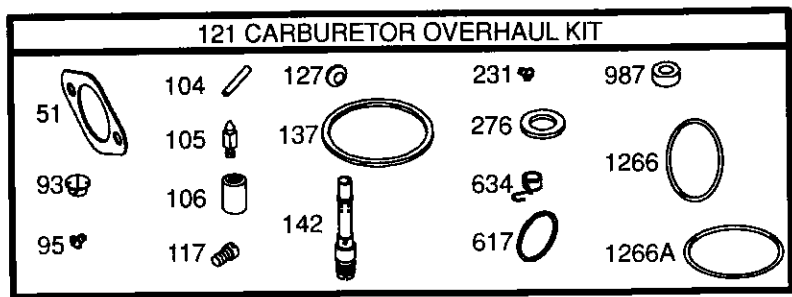
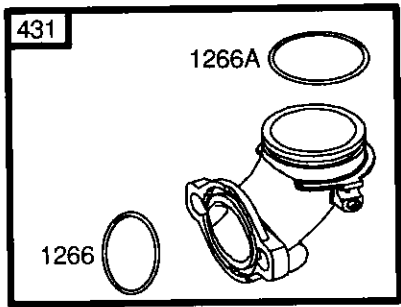
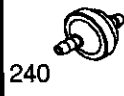
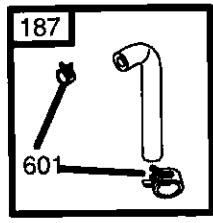
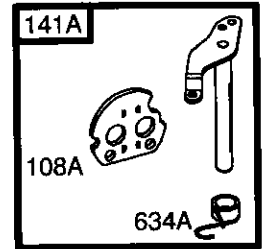
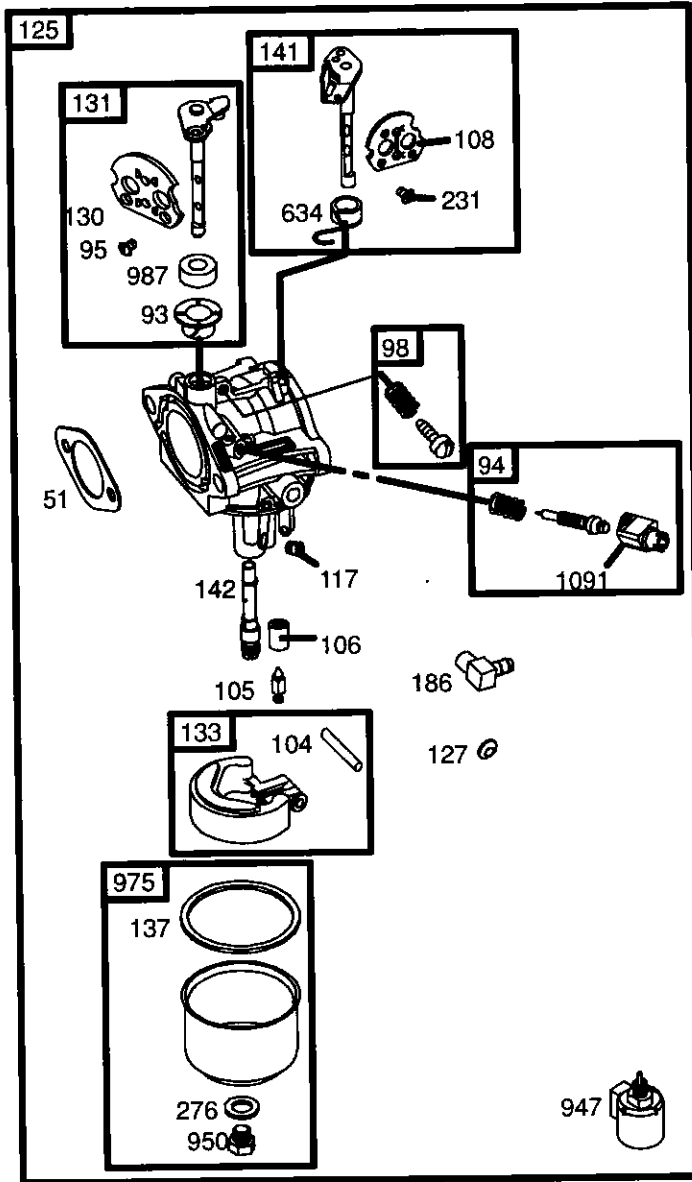
BRIGGS & STRATTON ENGINE - - MODEL NUMBER 282H07, TYPE NUMBER 0239-E1



REPAIR PARTS

TRACTOR- -MODEL NO. 917. 277310

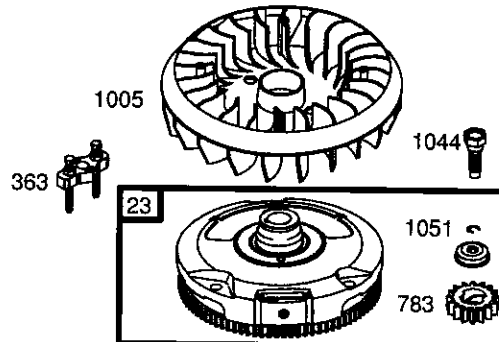
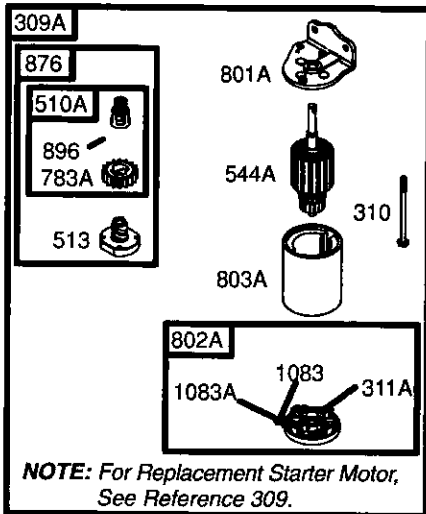
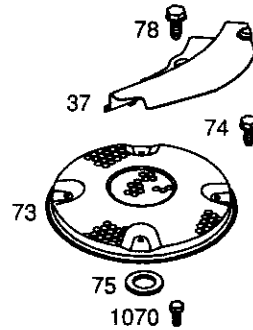
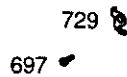
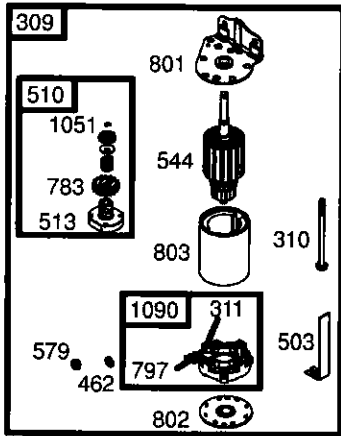
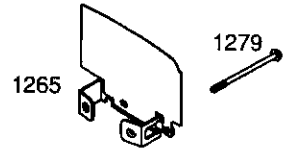
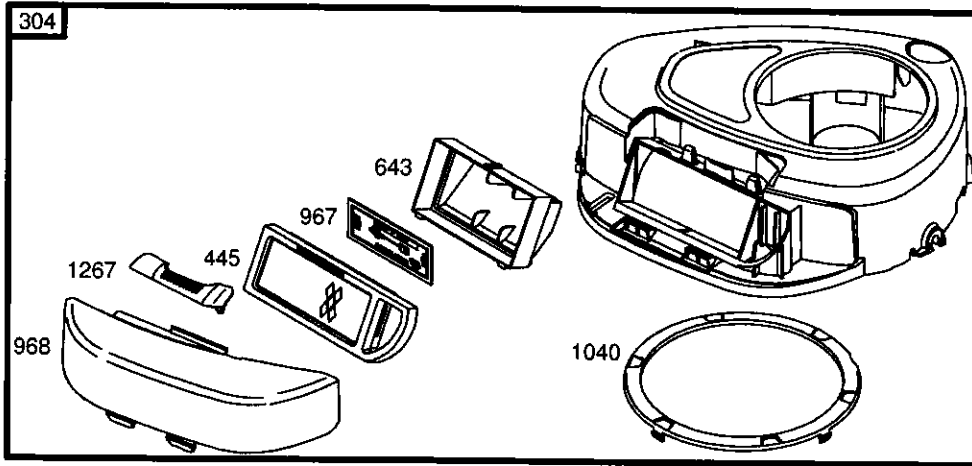
BRIGGS & STRATTON ENGINE - - MODEL NUMBER 282H07, TYPE NUMBER 0239-E1



REPAIR PARTS

TRACTOR- -MODEL NO. 917. 277310

BRIGGS & STRATTON ENGINE - - MODEL NUMBER 282H07, TYPE NUMBER 0239-E1



REPAIR PARTS

TRACTOR- -MODEL NO. 917. 277310

BRIGGS & STRATTON ENGINE - - MODEL NUMBER 282H07, TYPE NUMBER 0239-E1

KEY NO.	PART NO.	DESCRIPTION	KEY NO.	PART NO.	DESCRIPTION
1	697132	Cylinder Assembly	108	690464	Valve-Choke (Manual Choke)
2	399265	Kit-Bushing/Seal (Magneto Side)	108A	692344	Valve-Choke (Choke A Matic)
3	391086	• Seal-Oil (Magneto Side)	117	694352	Ø Jet-Main (Standard)
4	697106	Sump-Engine	118	697228	Jet-Main (High Altitude)
5	698148	Head-Cylinder	121	697241	Kit-Carburetor Overhaul
7	273280	*+ Gasket-Cylinder Head	125	697190	Carburetor
9	697109	• Gasket-Breather	127	695005	Plug-Welch
10	697157	Screw (Breather Assembly)	130	691750	Valve-Throttle
11	697113	Tube-Breather	131	494379	Kit-Throttle Shaft
12	697110	• Gasket-Crankcase	133	494381	Float-Carburetor
13	690360	Screw (Cylinder Head)	137	281165	Ø‡ Gasket-Float Bowl
15	690946	Plug-Oil Drain	141	495097	Kit-Choke Shaft (Manual Choke)
16	697127	Crankshaft	141A	495931	Ø Nozzle-Carburetor
20	690947	• Seal-Oil (PTO Side)	142	697140	Key-Timing
22	692125	Screw (Crankcase Cover/Sump)	146	691639	Connector-Hose
23	693557	Flywheel	186	698174	Line-Fuel
24	222698	Key-Flywheel	187	697098	Screw (Control Bracket)
25	697114	Piston Assembly (Standard)	188	691693	Adjuster-Rocker Arm
	697116	Piston Assembly (.010" Oversize)	192	691986	Link-Mechanical Governor
	697117	Piston Assembly (.020" Oversize)	202	691841	Spring-Governor
	697118	Piston Assembly (.030" Oversize)	209	692208	Link-Choke
26	697115	Ring Set (Standard)	216	691840	Bracket-Control
	697119	Ring Set (.010" Oversize)	222	694042	Lever-Governor Control
	697120	Ring Set (.020" Oversize)	227	691374	Screw (Choke Valve)
	697121	Ring Set (.030" Oversize)	231	691636	Spring-Governor
27	698469	Lock-Piston Pin	232	691842	Cap-Valve
28	697099	Pin-Piston	238	691843	Filter-Fuel
29	697126	Rod-Connecting (Standard)	240	394358	Clamp-Casing
32	692852	Screw (Connecting Rod)	265	691024	Screw (Casing Clamp)
33	495856	Valve-Exhaust	267	695134	Ø‡ Washer-Sealing
34	495857	Valve-Intake	276	692255	Housing-Blower
35	691279	Spring-Valve (Intake)	304	698402	Screw (Blower Housing)
36	691279	Spring-Valve (Exhaust)	305	697102	Screw (Blower Housing)
37	697352	Guard-Flywheel	305A	697103	Shield-Cylinder
40	691752	Retainer-Valve	306	697107	Screw (Cylinder Shield)
43	691968	Slinger-Governor/Oil	307	691003	Motor-Starter
45	690564	Tappet-Valve	309	693551	Motor-Starter (For Replacement Starter Motor, See Reference 309)
46	697687	Camshaft	309A	---	Bolt (Starter Motor)
48	697761	Short Block (31C707-0230-E2 Replacement Engine-art not available)	310	690323	Brush Set
50	690193	Manifold-Intake	311	497608	Brush Set
51	692137	•Ø‡+ Gasket-Intake	311A	395538	Armature-Magneto
53	690227	Stud (Carburetor)	333	492341	Screw (Magneto Armature)
54	691148	Screw (Intake Manifold)	334	691061	Plug-Spark
73	697384	Screen-Rotating	337	691043	Gasket Set-Engine
74	697987	Screw (Rotating Screen)	358	697151	Flywheel Puller
75	690582	Washer (Flywheel)	363	19203	Wrench-Spark Plug
78	691003	Screw (Flywheel Guard)	383	89838	Low Speed: 1900-2100 High Speed: 3000-3200
93	690602	Ø Bushing-Throttle Shaft			
94	498030	Kit-Idle Mixture			
95	691636	Screw (Throttle Valve)			
98	495800	Kit-Idle Speed			
104	690525	Ø Pin-Float Hinge			
105	231855	Ø Valve-Float Needle			
106	690577	Ø Seat-Inlet			

NOTE: All component dimensions given in U.S. inches 1 inch = 25.4 mm

LIMITED WARRANTY ON CRAFTSMAN RIDING EQUIPMENT

For one (1) year from the date of purchase, if this Craftsman Riding Equipment is maintained, lubricated and tuned up according to the instructions in the owner's manual, Sears will repair or replace free of charge any parts that are found to be defective in material or workmanship according to the guidelines of coverage listed below. Sears will also provide free labor for these applicable warranted parts for the two full years. During the first 30 days of purchase, there will be no charges to service the product at your home for issues covered by this warranty. (See exclusions below). For your convenience, IN HOME warranty service will still be available after the first 30 days of purchase, but a trip charge will apply. This charge will be waived if the Craftsman product is dropped off at an authorized Sears location. For the nearest authorized Sears location, please call 1-800-4-MY-HOME®. This warranty applies only while this product is within the United States.

This Warranty does not cover:

- Expendable items which become worn during normal use, including but not limited to blades, spark plugs, air cleaners, belts, and oil filters.
- Standard Maintenance Servicing, oil changes, or tune-ups
- Tire replacement or repair caused by punctures from outside objects, such as nails, thorns, stumps, or glass.
- Repairs necessary because of operator abuse, including but not limited to, damage caused by towing objects beyond the capability of the riding equipment, impacting objects that bend the frame or crankshaft, or over-speeding the engine.
- Repairs necessary because of operator negligence, including but not limited to, electrical and mechanical damage caused by improper storage, failure to use the proper grade and amount of engine oil, failure to keep the deck clear of flammable debris, or failure to maintain the equipment according to the instructions contained in the owner's manual.
- Engine (fuel system) cleaning or repairs caused by fuel determined to be contaminated or oxidized (stale). In general, fuel should be used within 30 days of its purchase date.
- Normal deterioration and wear of the exterior finishes, or product label replacement.
- Riding equipment used for commercial or rental purposes.

LIMITED WARRANTY ON BATTERY

For ninety (90) days from date of purchase, if any battery included with this riding equipment proves defective in material or workmanship and our testing determines the battery will not hold a charge, Sears will replace the battery at no charge. During the first 30 days of purchase, there will be no charges to replace the battery at your HOME. After the first 30 days, for your convenience, IN-HOME warranty service will still be available but a trip charge will apply. This charge will be waived if the Craftsman product is dropped off at an authorized Sears location. For the nearest authorized Sears location, please call 1-800-4-MY-HOME®.

This battery warranty applies only while this product is within the United States.

This warranty gives you specific legal rights, and you may also have other rights, which vary, from state to state.

Sears, Roebuck and Co., Dept. 817WA, Hoffman Estates, IL 60179

