

**REPAIR PARTS MANUAL**  
**MODEL NO. 253710**



# HOW TO USE THIS MANUAL

This manual is designed to provide the customer with a means to identify the parts on his/her tractor when ordering repair parts. The illustrations may or may not represent the actual assemblies; therefore, it is not recommended to use this manual as a guide to assemble or disassemble the tractor. Some hardware and parts are drawn larger in order to more readily identify them.

Each tractor has its own model number.

The model number for your tractor can be found on the fender under the seat.

When ordering parts, always give the following information:

- Product - Lawn Tractor
- MODEL NUMBER - **253710**
- Part Number
- Part Description

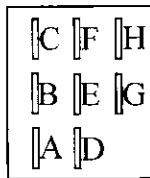
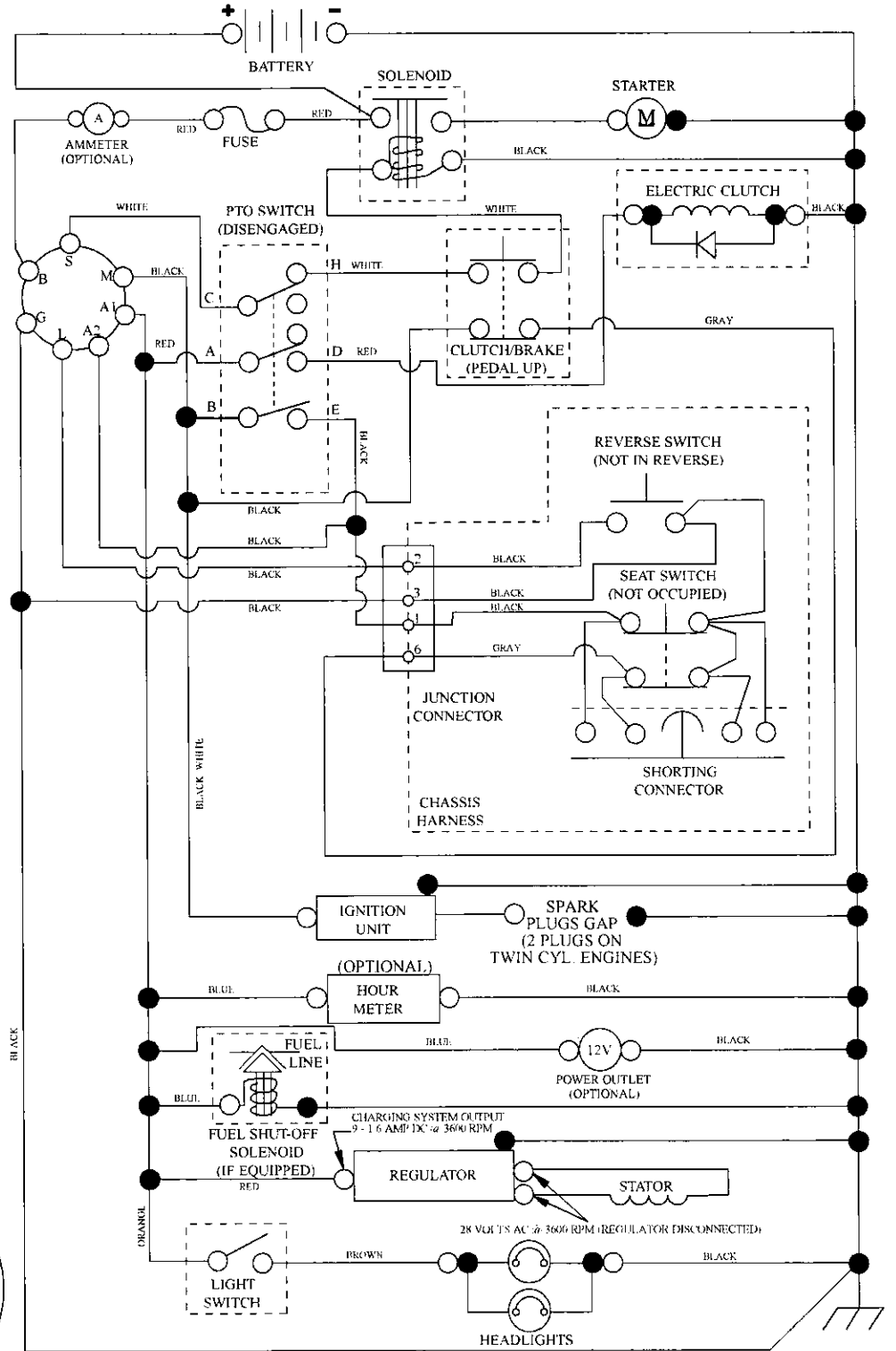
## TABLE OF CONTENTS

<b>SCHEMATIC .....</b>	<b>3</b>
<b>ELECTRICAL.....</b>	<b>4-5</b>
<b>CHASSIS .....</b>	<b>6-7</b>
<b>DRIVE.....</b>	<b>8-9</b>
<b>ENGINE.....</b>	<b>10-11</b>
<b>STEERING .....</b>	<b>12</b>
<b>SEAT .....</b>	<b>13</b>
<b>MOWER DECK .....</b>	<b>14-15</b>
<b>MOWER LIFT.....</b>	<b>16</b>
<b>DECALS.....</b>	<b>17</b>
<b>TRANSAXLE BREAKDOWN .....</b>	<b>18-20</b>
<b>ENGINE BREAKDOWN.....</b>	<b>21-26</b>
<b>WARRANTY.....</b>	<b>BACK COVER</b>

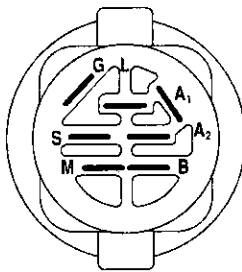
# TRACTOR -- MODEL NUMBER 917.253710

## SCHEMATIC

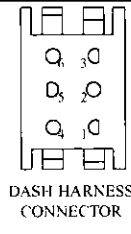
SCH12



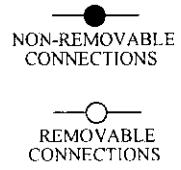
PTO SWITCH (MATING SIDE)



POSITION	CIRCUIT	"MAKE"
OFF	M+G+A1	
RUN/OVERRIDE	B+A1	
RUN	B+A1	L-A2
START	B+S+A1	

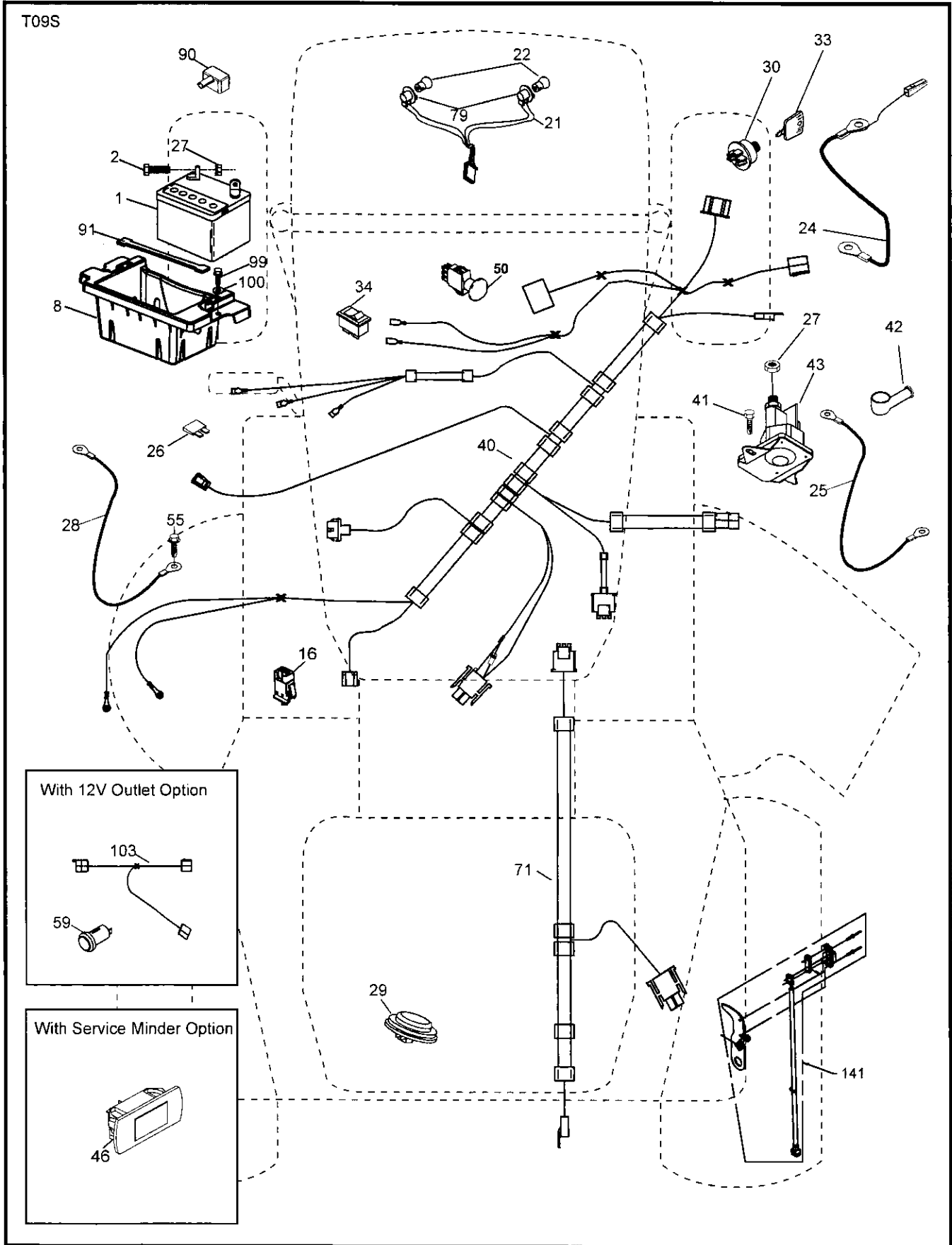


WIRING INSULATED CLIPS  
NOTE: IF WIRING INSULATED CLIPS WERE REMOVED FOR SERVICING OF UNIT, THEY SHOULD BE RE-INSTALLED TO PROPERLY SECURE YOUR WIRING.



TRACTOR - - MODEL NUMBER 917.253710

ELECTRICAL



## TRACTOR - - MODEL NUMBER 917.253710

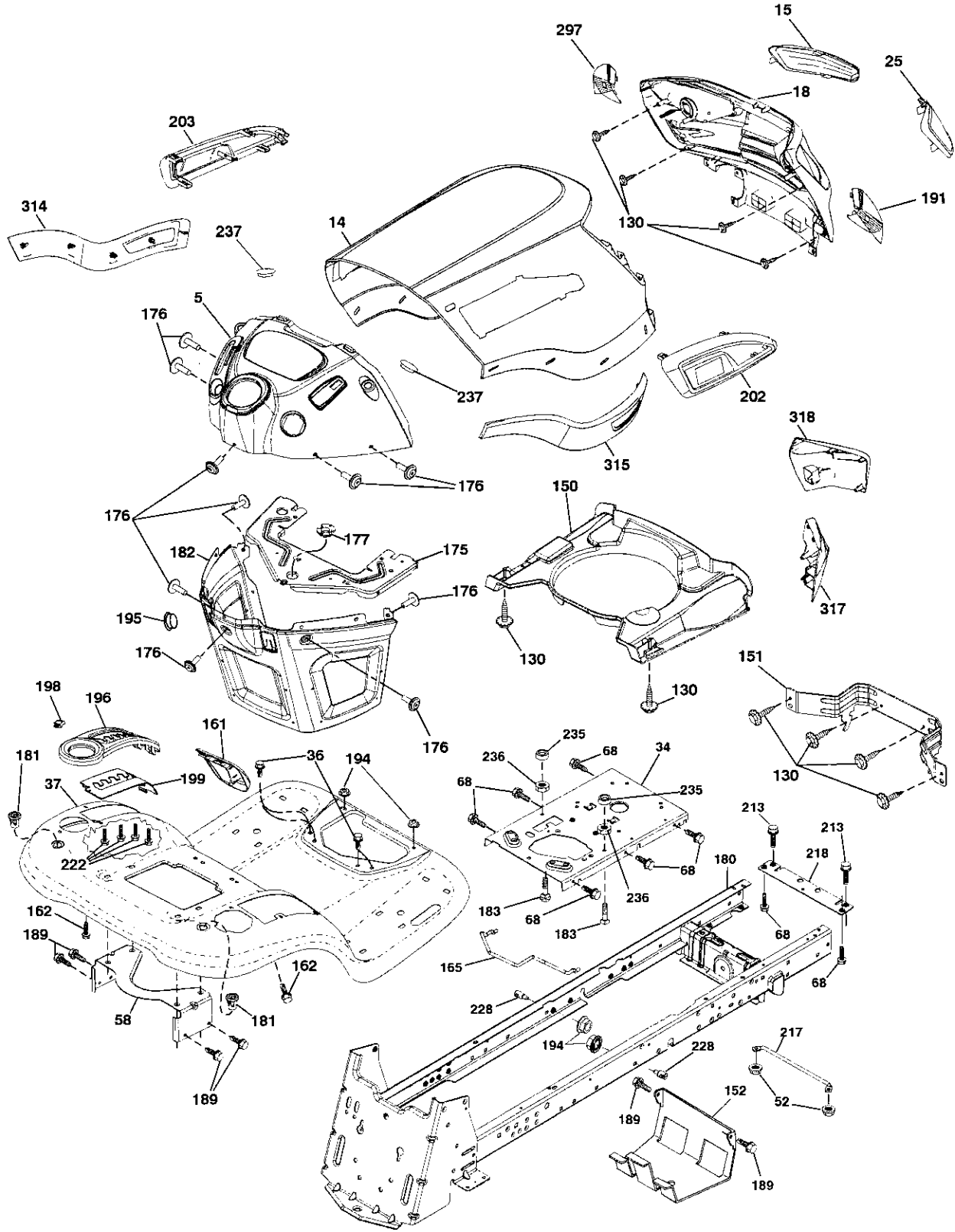
### ELECTRICAL

KEY NO.	PART NO.	DESCRIPTION
1	163465	Battery
2	74760412	Bolt Hex Head 1/4-20 x 3/4
8	186491	Box Battery
16	176138	Switch Interlock Push-In
21	400252	Harness Socket Light w/4152J
22	4152J	Bulb Light
24	400253	Cable Battery
25	412895	Cable Starter
26	175158	Fuse
27	73510400	Nut Keps Hex 1/4-20 unc
28	145491	Cable, Ground
29	401545	Switch, Seat
30	193350	Switch, Ign
33	411934	Key/Chain
34	110712X	Switch Light/Reset
40	401104	Harness Ign. Dash
41	17720408	Screw 1/4-20 x 1/2
42	131563	Cover, Terminal
43	192507	Solenoid
46	413931	Gauge Hourmeter
50	174652	Switch, PTO
55	17060512	Screw 5/16-18 x 3/4
71	194276	Harness Ignition
79	175242	Socket Asm. Bulb
90	400724	Cover Terminal Battery
91	190270	Strap Battery Mount Front
99	17670412	Screw Hexwsh Thdrol 1/4-20 x 3/4
100	19091416	Washer 9/32 x 7/8 x 16 Ga.
141	421225	Kit G700/G730 ROS Service

**NOTE:** All component dimensions given in U.S. inches  
1 inch = 25.4 mm

# TRACTOR -- MODEL NUMBER 917.253710

## CHASSIS ASSEMBLY



## TRACTOR - - MODEL NUMBER 917.253710

### CHASSIS ASSEMBLY

KEY NO.	PART NO.	DESCRIPTION	KEY NO.	PART NO.	DESCRIPTION
5	421811X428	Dash	189	17000512	Screw 3/8-16 x 3/4
14	421154X428	Hood	191	425407	Insert Reflective RH
15	421493X599	Lens LH	194	73900500	Nut Lock Hex Flange 5/16-18
18	423158	Grille, Assembly	195	401556X428	Plug Hole Dash
25	421494X599	Lens RH	196	196379X428	Console Asm. Deck Lift
34	196125	Plate Engine	198	197300X505	Indicator Deck Lift
36	17060512	Screw 5/16-18 x 3/4	199	196377	Plate Deck Lift
37	400009X428	Fender	202	423175	Vent Side Hood RH
52	73680500	Nut Lock 5/16-18	203	423174	Vent Side Hood LH
58	194314	Brack Support Fender	213	74760512	Bolt 5/16-18 unc x 3/4
68	17490508	Screw Thdrol 5/16-18 x 1/2	217	409167	Rod Pivot Hood
130	416358	Screw #10 x 0.750	218	196395	X-Piece Hood Stop
150	199411	Duct Heat Hood	222	137729	Screw 1/4-20 x 5/8
151	196332	Bracket Pivot	228	195161	Stud Fastener
152	199535	Shield Browning/Debris	235	406129	Spacer Fender
161	193097X428	Window Fuel	236	73930500	Nut 5/16-18 unc
162	142432	Screw Hex Wsh Hi-Lo 1/4 x 1/2	237	403704	Plug Mount Cargo
165	196826	Support Tank Rear	297	425406	Insert Reflective LH
175	196304	Crossmember	314	426570	Trim Side LH
176	400776	Screw	315	426571	Trim Side RH
177	195227	Bushing Steering	317	421257X428	Cap Corner RH
180	195477	Chassis	318	421258X428	Cap Corner LH
181	193102X428	Bushing Mtg. Fender Crgo.			
182	406859	Dash Lower			
183	74780520	Bolt Fin Hex 5/16-18 unc x 1-1/4			

**NOTE:** All component dimensions given in U.S. inches  
1 inch = 25.4 mm



## TRACTOR - - MODEL NUMBER 917.253710

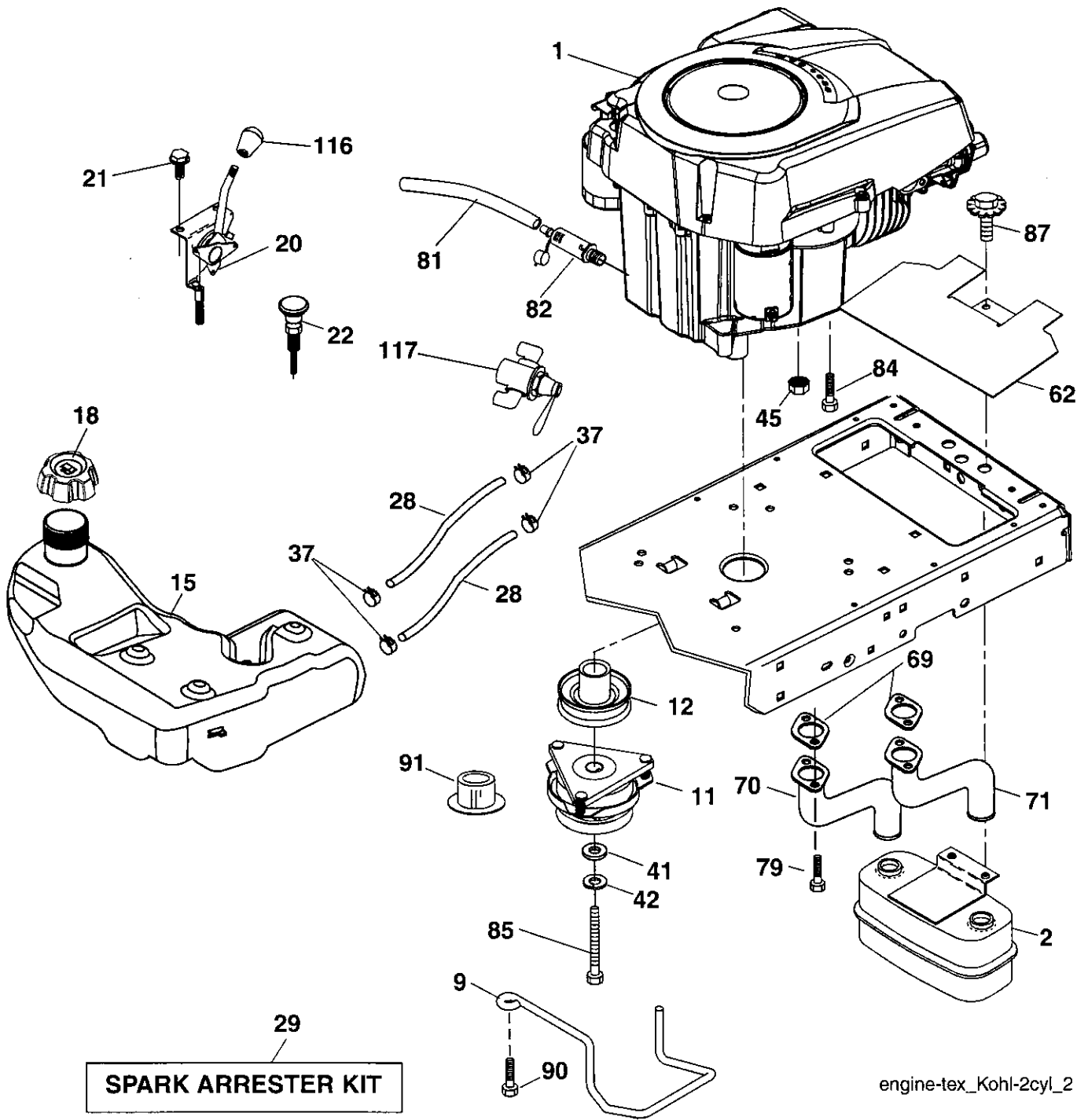
### GROUND DRIVE

KEY NO.	PART NO.	DESCRIPTION	KEY NO.	PART NO.	DESCRIPTION
1	-----	Transaxle, Hydro G7-BCBB-1XDC-1FCA	159	76020412	Pin Cotter 1/8 x 3/4
2	7070E	Key 1/4 x 2.5	160	169484	Retainer Clip
3	7563R	Washer Thrust Axle Hardened	161	105709X	Spring, Return, Clutch
7	199837	Hub Asm. Wheel	163	418185	Rod Pedal Control
9	140080	Bolt Hub Wheel	166	197290	Nut Push .625
15	19131316	Washer 13/32 x 13/16 x 16 Ga.	167	405257	Latch Brake Parking
17	197296	Spring, Brake	184	196439X505	Handle Parking Brake
26	199679	Spring Return Cruise	186	194321	Spacer Retainer
29	418186	Rod, Brake	187	19133210	Washer
33	12000053	Ring E	188	194323	Link Clutch Ground Drive
35	199591	Rod, Brake, Park	189	407504	Bellcrank Ground Drive
42	8883R	Cover, Foot Pedal	190	407505	Keeper Bellcrank Ground Drive
48	72110612	Bolt Carr Sh 3/8-16 x 1-1/2 Gr. 5	196	17000616	Screw 3/8-16 x 1
49	72110614	Bolt	197	199769	Bracket Clutch Anti-Rotation
50	194327	Pulley Idler Flat	203	19111116	Washer 11/32 x 11/16 x 16 Ga.
51	73900600	Lock Nut 3/8-16	206	197867	Bracket Mount Latch Cruise
52	194326	Idler V-Groove 910" Offset	207	197868	Latch Control Cruise
56	420807	V-Belt, Drive	208	197869	Gear Sector Control Cruise
64	197865	Shaft Asm. Pedal Brake Control	209	199592	Rod Control Cruise
69	123800X	Washer 1-1/32 x 1-5/8 x 16 Ga.	210	197860	Rocker Asm. Pedal Control
73	74490548	Bolt Hex 5/16-18 x 3 Gr. 5	211	120183	Bearing Nylon
74	142432	Screw 1/4 x 1/2	213	196441X428	Knob Control Cruise
80	418184	Strap Torque	214	421263	Pedal Forward
92	74760520	Bolt 5/16-18 x 1/2	215	197301X428	Pedal Reverse
99	418188	Spring Bypass	221	403187	Retainer Spring Clip Handle
114	73800500	Nut Lock Hex W/Ins. 5/16-18 unc	222	79212010	Washer 21/32 x 1-1/4 x 10 Ga.
116	73900500	Nut Lock Hex Flange 5/16-18	224	193099X428	Console Toolbox
121	175611	Bracket Strap Torque	306	76020416	Pin Cotter
122	72010520	Bolt 5/16-18 x 2.50			
125	17000512	Screw 5/16-18 x 3/4			
145	163168	Washer Axle Flange			
153	4497H	Retainer Spring			

**NOTE:** All component dimensions given in U.S. inches  
1 inch = 25.4 mm

TRACTOR -- MODEL NUMBER 917.253710

ENGINE



# TRACTOR - - MODEL NUMBER 917.253710

## ENGINE

KEY NO.	PART NO.	DESCRIPTION
1	-----	Engine Kohler Model No. SV735 -0019 (See Engine Breakdown)
2	149723	Muffler
9	408667	Keeper Belt Engine
11	179335	Clutch Electric
12	194343	Pulley Engine
15	422804	Tank Fuel 4.0
18	195951	Cap Asm
20	426184	Control Throttle
21	416358	Screw 10 x .750 BOS Thread
22	187767X428	Control Choke
28	8543R	Fuel Line
29	137180	Spark Arrester Kit
37	123487X	Clamp Hose
41	126197X	Washer 1-1/2 OD x 15/32 ID x .250
42	10040700	Washer Lock 7/16
45	73510400	Nut Keps Hex 1/4-20 unc
62	146629	Shield Heat Muffler
69	-----	Gasket (Order from Eng. Mfgr.)
70	146699	Tube Exhaust LH
71	146700	Tube Exhaust RH
79	192334	Screw 5/16-18 x 3/4
81	148456	Tube Drain Oil Easy
82	181654	Plug Drain Oil
84	17120616	Screw 3/8-16 x 1
85	179953	Bolt Hex 7/16-20 x 3.75 Gr. 5
87	198239	Bolt 5/16-18 unc x 1 w/Sems
90	17000616	Screw 3/8-16 x 1
91	187495	Bushing
116	423109X659	Knob Oval Tapered 3/8-16
117	420828	Value Fuel Reserve

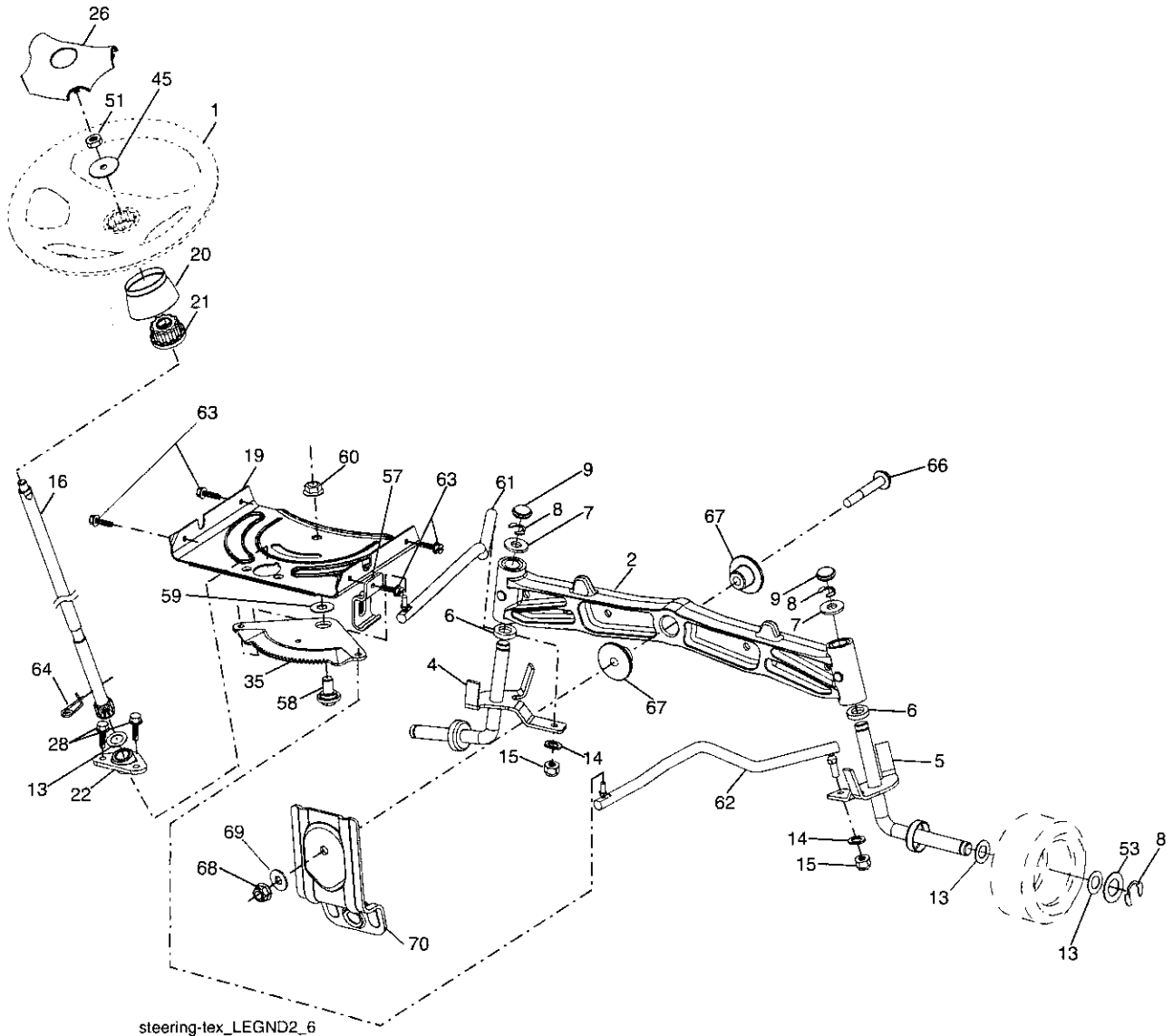
**NOTE:** All component dimensions given in U.S. inches  
1 inch = 25.4 mm

For engine service and replacement parts, call the toll free number for your engine manufacturer listed below:

Kohler Co. 1-800-544-2444

# TRACTOR -- MODEL NUMBER 917.253710

## STEERING ASSEMBLY



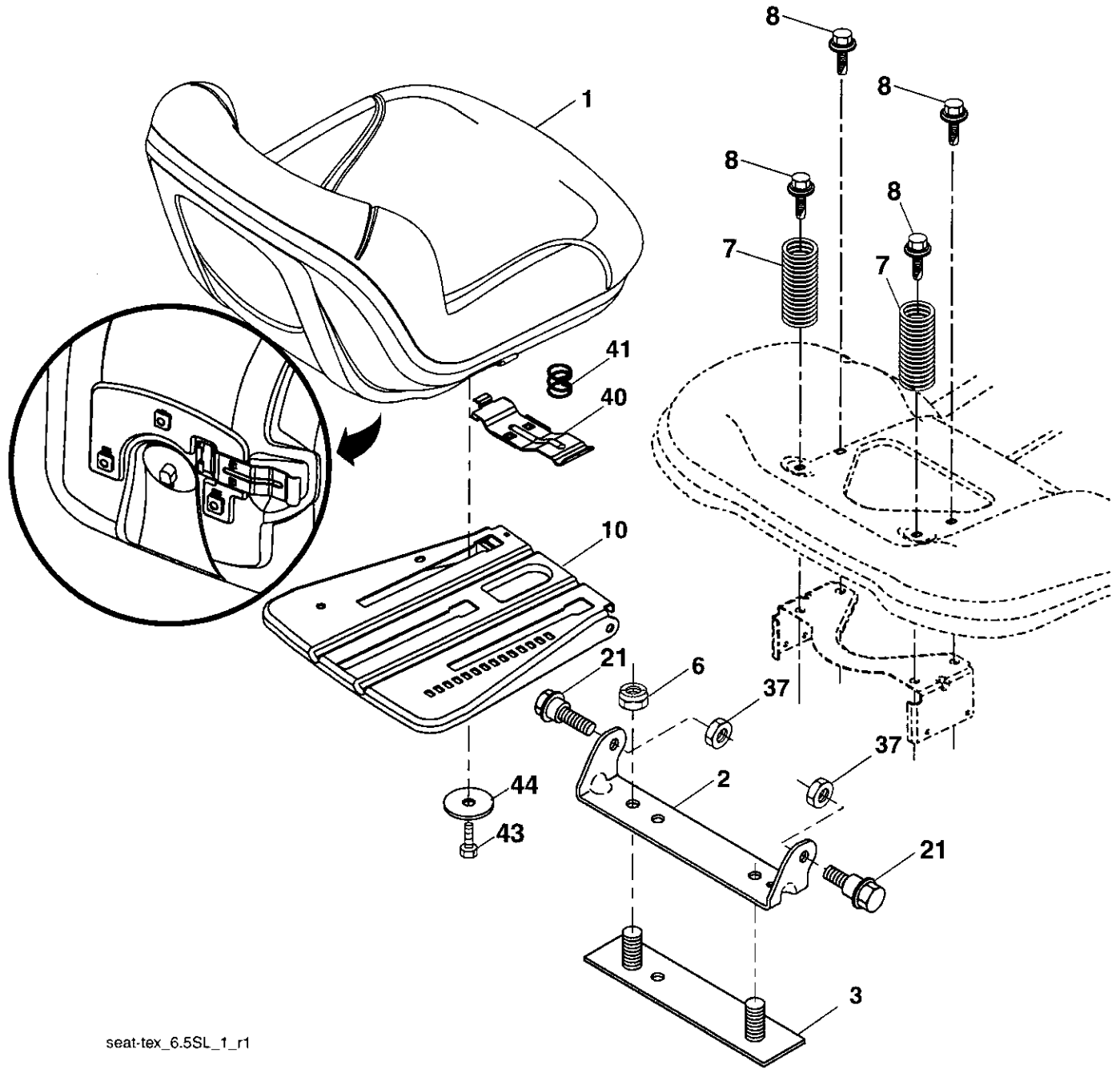
steering-lex\_LEGND2\_6

KEY NO.	PART NO.	DESCRIPTION	KEY NO.	PART NO.	DESCRIPTION
1	414851X659	Wheel, Steering	51	73940800	Nut Hex Jam Toplock 1/2-20 unf
2	195968	Axle Asm., Front	53	188967	Washer Hardened .793 x 1.637 x .060
4	403089	Spindle Asm., LH	57	197246	Bracket Upstop
5	403090	Spindle Asm., RH	58	194747	Bolt Shoulder Sector Pivot CFM
6	6266H	Bearing, Race Thrust Harden	59	194748	Washer Thrust Sector Steering
7	121748X	Washer 25/32 x 1-5/8 x 16 Ga.	60	73971000	Nut Flange Lock 5/8-11
8	12000029	Ring, Clip #T5304-75	61	194740	Draglink, LH
9	184946X505	Cap, Spindle	62	194741	Draglink, RH
13	121749X	Washer 25/32 x 1-1/4 x 16 Ga.	63	17000512	Screw 5/16-18 x 3/4
14	STD551137	Washer Lock Hvy Hlcl Spr 3/8	64	199849	Retainer Clip Spring Steering
15	73540600	Nut, Crown Lock 3/8-24 unf	66	71020748	Bolt Hex Fghd 7/16-14 x 3 Serr
16	194746	Shaft Steering	67	194737	Bushing PM Front Axle
19	194729	Plate Steering	68	73900700	Nut Lock Flange 7/16-14 Gr. 5
20	199676X428	Boot, Steering	69	199162	Washer 1.5 x .505 x .118
21	186737	Adapter, Wheel Steering	70	196197	Bracket Deck Susp. Front
22	194845	Bushing, Strg. Blk			
26	414852X659	Insert, Wheel Steering			
28	17000612	Screw 3/8-16 x 3/4			
35	194732	Gear, Sector Plate			
45	19183812	Washer 9/16 x 2-3/8 x 12 Ga.			

**NOTE:** All component dimensions give in U.S. inches  
1 inch = 25.4 mm

TRACTOR -- MODEL NUMBER 917.253710

SEAT ASSEMBLY



seat-tex\_6.5SL\_1\_r1

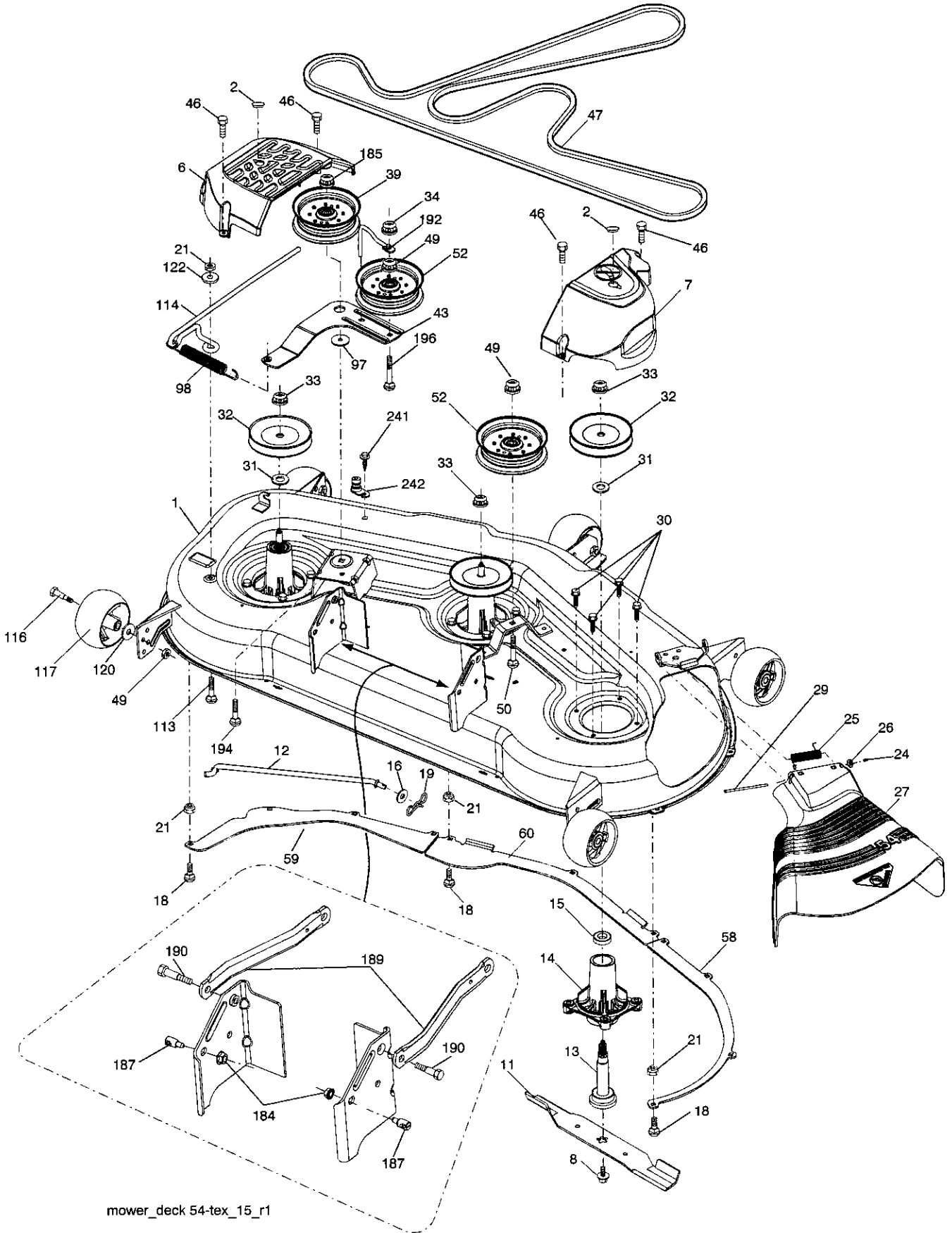
KEY NO.	PART NO.	DESCRIPTION
1	423810	Seat
2	180166	Bracket Pivot Fender
3	140675	Strap, Asm Fender
6	STD541437	Nut, Lock w/Ins. 3/8-16 unc
7	124181X	Spring, Seat Cprsn
8	171877	Bolt 5/16-18 unc x 3/4 w/Sems
10	196977	Pan, Seat
21	171852	Bolt, Shoulder 5/16-18
37	STD541431	Nut, Lock 5/16-18 unc

KEY NO.	PART NO.	DESCRIPTION
40	197661	Handle Slide Seat
41	198200	Spring Latch Seat
43	74760612	Bolt 3/8-16 unc x 3/4
44	19133812	Washer 13/32 x 2-3/8 x 12 Ga.

**NOTE:** All component dimensions give in U.S. inches  
1 inch = 25.4 mm

TRACTOR -- MODEL NUMBER 917.253710

MOWER DECK



mower\_deck 54-tex\_15\_r1

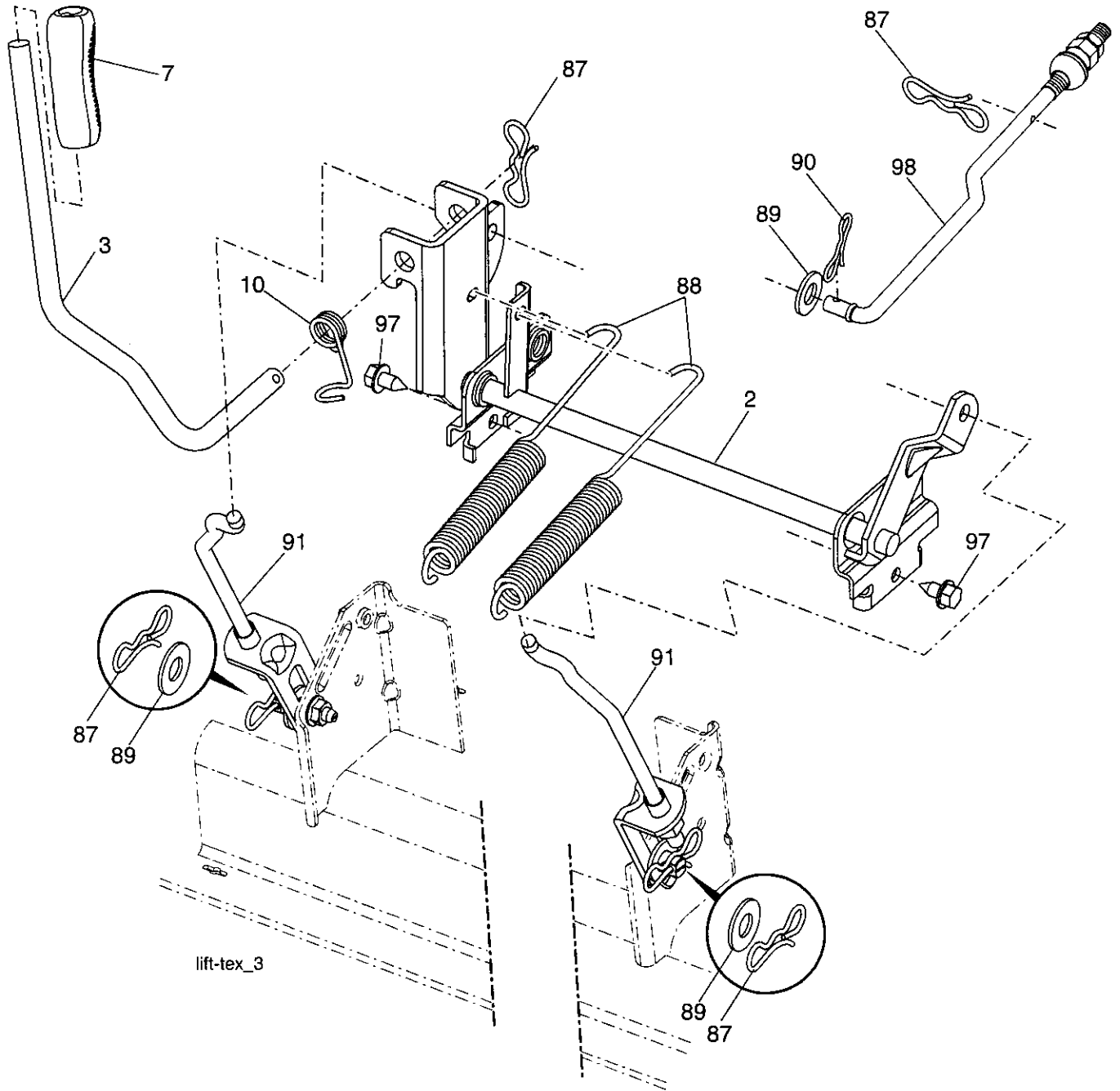
**MOWER DECK****TRACTOR - - MODEL NUMBER 917.253710**

<b>KEY NO.</b>	<b>PART NO.</b>	<b>DESCRIPTION</b>
1	195632X613	Deck Weldment Mower
2	178345	Plug Hole Mandrel
6	196066	Cover Mandrel LH
7	197181	Cover Mandrel RH
8	193003	Bolt/Washer Asm. 7/16-20 unf
11	187256	Blade Bagging
12	400337	Rod Anti Sway
13	187291	Shaft Asm. w/Lower Bearing
14	187281	Housing, Mandrel
15	110485X	Bearing, Ball, Mandrel
16	19131312	Washer 13/32 x 13/16 x 12 Ga.
18	72140505	Bolt RdHd 5/16-18 unc x 5/8
19	194208	Pin Cotter 5/16 Bow Tie Lock
21	73680500	Nut, Crownlock 5/16-18 unc
24	105304X	Cap Sleeve
25	178102	Spring, Torsion
26	110452X	Nut, Push
27	187257X428	Deflector Shield
29	131491	Rod, Hinge
30	173984	Screw, Thdroll Washer Head
31	426210	Spacer Mandrel
32	153535	Pulley, Mandrel
33	400234	Nut, Fig. Top Lock
34	73680600	Nut
39	197380	Pulley, Idler
43	196065	Arm, Idler
46	137729	Screw, Thdroll. 1/4-20 x 5/8
47	196103	V-Belt, Mower
49	73900600	Nut, Lock Fig. 3/8-16 unc
50	72110616	Bolt, Carr. 3/8-16 x 2
52	197379	Pulley Idler
58	187342	Baffle Right
59	187344	Baffle Left
60	187607	Baffle Center
97	178515	Washer Hardened
98	196105	Spring Drive
113	72110508	Bolt Rdhd Sqnk 5/16-18 x 3/4
114	187556	Rod Tension Relief
116	193406	Bolt, Shoulder
117	174873	Gauge Wheel
120	19132012	Washer 13/32 x 1-1/4 x 12 Ga.
122	187557	Bushing Tension Relief
184	73900500	Nut Lock Flange 5/16-18
185	73900700	Nut Lock Flange 7/16-14 Gr. 5
187	195161	Stud Fastener w/"D" Anti-Rotation
189	195185	Arm Susp. Mower Rear
190	196539	Bolt Shoulder
192	198468	Keeper Belt Idler
194	72140716	Bolt Carr Sqnk 3/8-16 x 2-1/4
196	72140620	Bolt RdHd 3/8-16 unc x 2-1/2 Gr. 5
241	152927	Screw
242	415598	Washout Port
--	187292	Mandrel Asm. Service (Includes Key Nos. 13-15 and 33)
--	416405	Coupling Quick Connect
--	427610	Replacement Mower, Complete

**NOTE:** All component dimensions given in U.S. inches  
1 inch = 25.4 mm

TRACTOR - - MODEL NUMBER 917.253710

LIFT ASSEMBLY



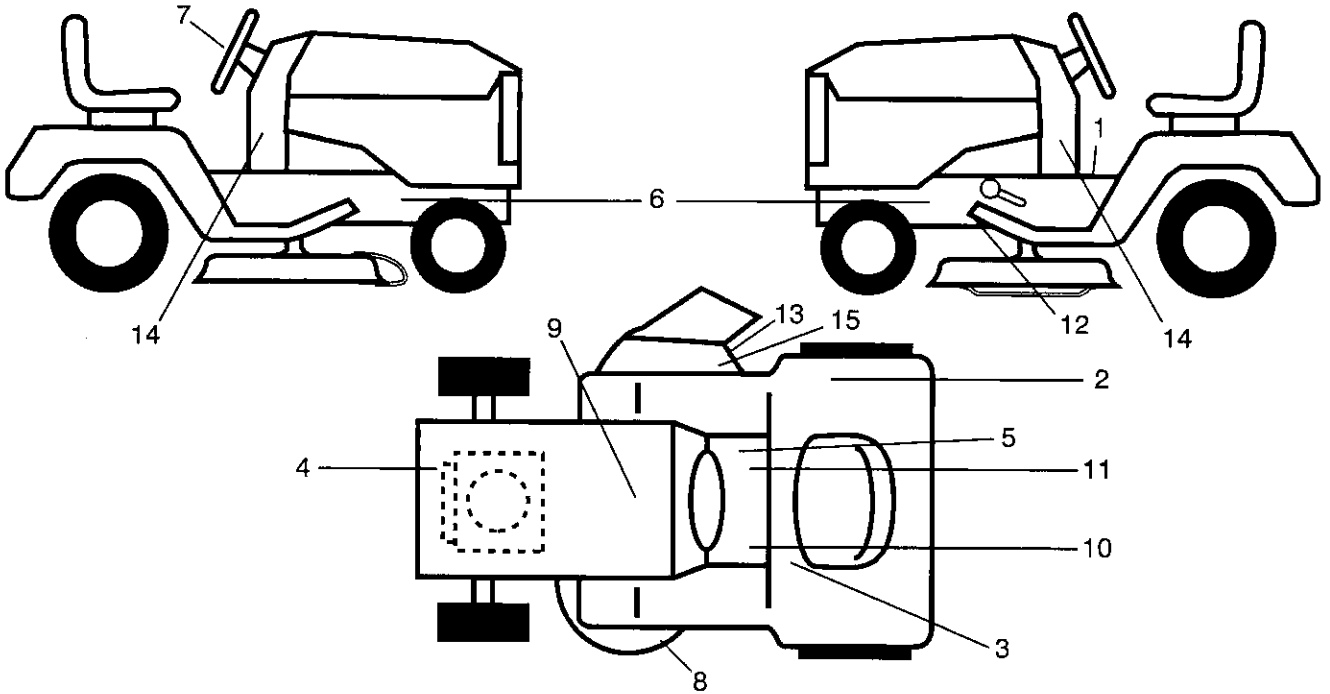
KEY NO.	PART NO.	DESCRIPTION
2	195223	Shaft Asm., Lift
3	195230	Lever Asm., Lift RH
7	196492X428	Grip, Lever
10	196314	Spring Torsion
87	194209	Pin Cotter 7/16 Bow Tie Lock
88	195304	Spring Lift Assist
89	19191912	Washer Clear Zinc
90	194208	Pin Cotter 5/16 Bow Tie Lock

KEY NO.	PART NO.	DESCRIPTION
91	403407	Link Lift Asm. Rear
97	17000612	Screw 3/8-16 x .75 R.Z
98	195264	Link Asm. Susp. Front Mower

**NOTE:** All component dimensions give in U.S. inches  
1 inch = 25.4 mm

## TRACTOR - - MODEL NUMBER 917.253710

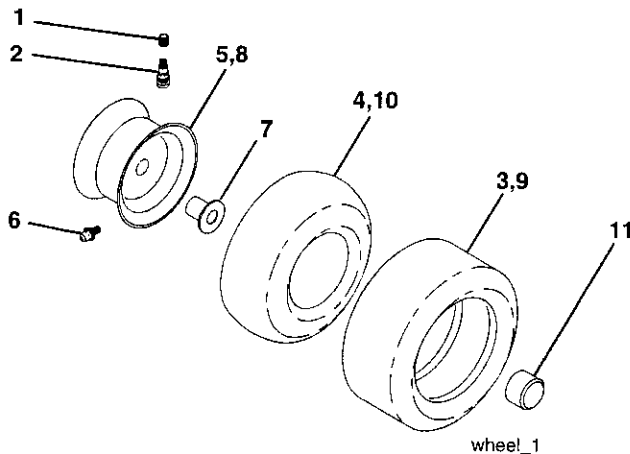
### DECALS



KEY NO.	PART NO.	DESCRIPTION
1	400389	Decal, Oper./Warnng
2	180432	Decal, Fender 100 DB/CE
3	426209	Decal, Warn. Reserve Fuel
4	196841	Decal, Warning Engine Symbols
5	178302	Decal, Operator Cruise Symbols
6	159736	Decal, Chassis Hot Muffler
7	422885	Decal, Steering
8	198785	Decal, Mower Schematic
9	145005	Decal, Battery Dnge/Poi
10	159737	Decal, Brake/Clutch Symbol
11	140837	Decal, Saddle Brake Parking
12	199135	Decal, Mower V-Belt Schematic
13	182166	Decal, Cutfinger CE

KEY NO.	PART NO.	DESCRIPTION
14	426193	Decal, Dash Lower
15	196357	Decal, Deflector Wrn Cutfinger Symbol
--	166960	Decal Bypass
--	162598	Decal Drawbar Load Limit
--	193279X428	Pad Footrest RH
--	193101X428	Pad Footrest LH
--	427593	Manual, Operator's (Euro)
--	427594	Manual, Operator's (Scand)
--	427595	Manual, Operator's (E-Bloc)
--	427596	Manual, Operator's (Baltic)
--	427597	Manual, Parts

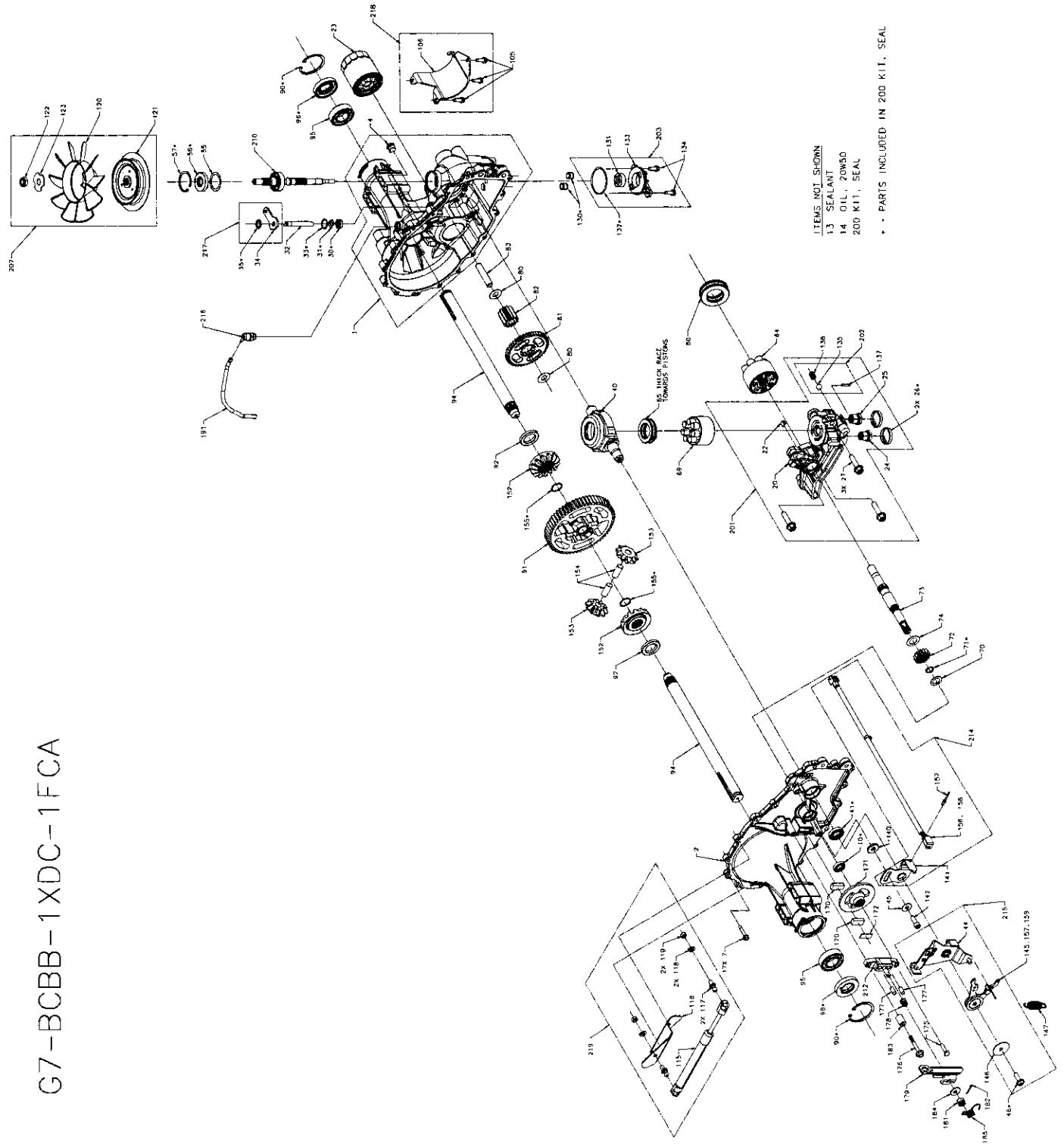
### WHEELS & TIRES



KEY NO.	PART NO.	DESCRIPTION
1	59192	Cap, Valve, Tire
2	65139	Stem, Valve
3	106228X613	Rim Assembly, Front
4	8134H	Tube, Front (Service Item Only)
5	106230X	Tire, Front
6	278H	Fitting, Grease (Front Wheel Only)
7	9040H	Bearing, Flange (Front Wheel Only)
8	104757X428	Cap, Axle (Front Wheel Only)
9	105588X	Tire, Rear
10	7154J	Tube, Rear (Service Item Only)
11	106277X613	Rim Assembly, Rear
--	144334	Sealant, Tire (10 oz. Tube)

**NOTE:** All component dimensions give in U.S. inches  
1 inch = 25.4 mm

**TRACTOR - - MODEL NUMBER 917.253710**  
**HYDRO GEAR TRANSAXLE - - MODEL NUMBER G7-BCBB-1XDC-1FCA**



ITEMS NOT SHOWN  
 13 SEALANT  
 14 OIL, 20W50  
 200 KIT, SEAL  
 \* - PARTS INCLUDED IN 200 KIT, SEAL

G7-BCBB-1XDC-1FCA