

REPAIR PARTS MANUAL
MODEL NO. 253690
Lawn Tractor



HOW TO USE THIS MANUAL

This manual is designed to provide the customer with a means to identify the parts on his/her tractor when ordering repair parts. The illustrations may or may not represent the actual assemblies; therefore, it is not recommended to use this manual as a guide to assemble or disassemble the tractor. Some hardware and parts are drawn larger in order to more readily identify them.

Each tractor has its own model number.

The model number for your tractor can be found on the fender under the seat.

When ordering parts, always give the following information:

- Product - "Tractor"
- Model Number - "253690"
- Part Number
- Part Description

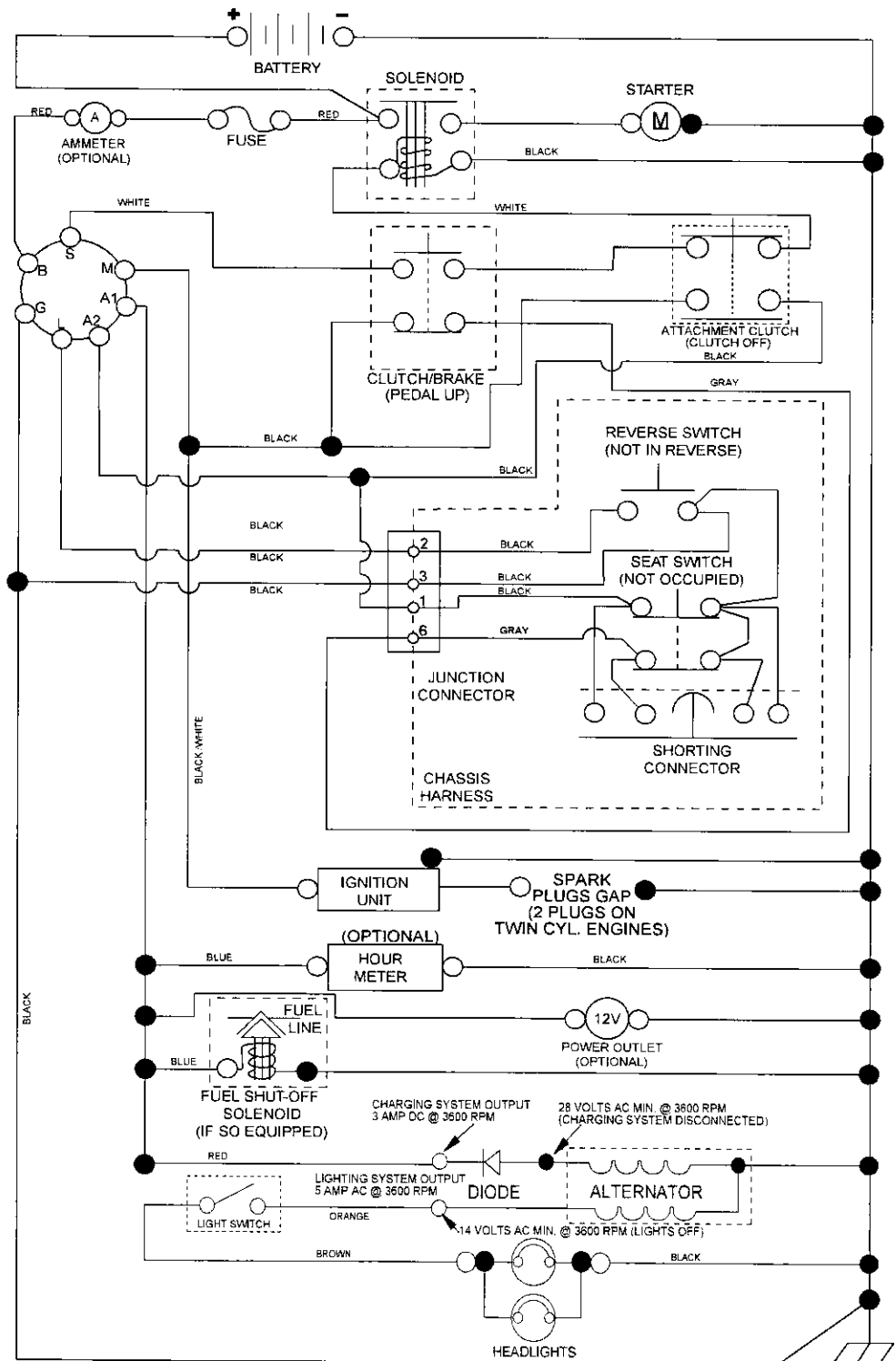
TABLE OF CONTENTS

SCHEMATIC	3
ELECTRICAL.....	4-5
CHASSIS	6-7
DRIVE.....	8-9
ENGINE.....	10-11
STEERING	12-13
SEAT	14
DECALS.....	15
MOWER DECK	16-17
MOWER LIFT.....	18-19
TRANSAXLE BREAKDOWN	20-21
ENGINE BREAKDOWN.....	22-26
WARRANTY.....	BACK COVER

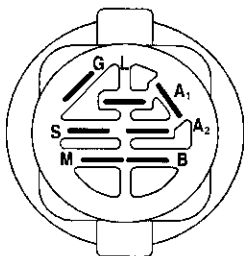
TRACTOR- -MODEL NO. 917.253690

SCHEMATIC

SCH11

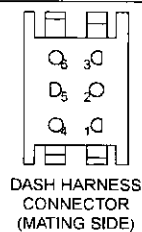
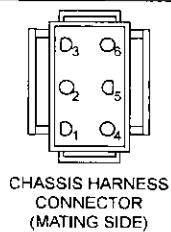


NOTE
YOUR TRACTOR IS EQUIPPED WITH A SPECIAL ALTERNATOR SYSTEM. THE LIGHTS ARE NOT CONNECTED TO THE BATTERY, BUT HAVE THEIR OWN ELECTRICAL SOURCE. BECAUSE OF THIS, THE BRIGHTNESS OF THE LIGHTS WILL CHANGE WITH ENGINE SPEED. AT IDLE THE LIGHTS WILL DIM. AS THE ENGINE IS SPEEDED UP, THE LIGHTS WILL BECOME THEIR BRIGHTEST.



IGNITION SWITCH

POSITION	CIRCUIT	"MAKE"
OFF	M+G+A1	
RUN/OVERRIDE	B+A1	
RUN	B+A1	L+A2
START	B + S + A1	



WIRING INSULATED CLIPS
NOTE: IF WIRING INSULATED CLIPS WERE REMOVED FOR SERVICING OF UNIT, THEY SHOULD BE RE-INSTALLED TO PROPERLY SECURE YOUR WIRING.

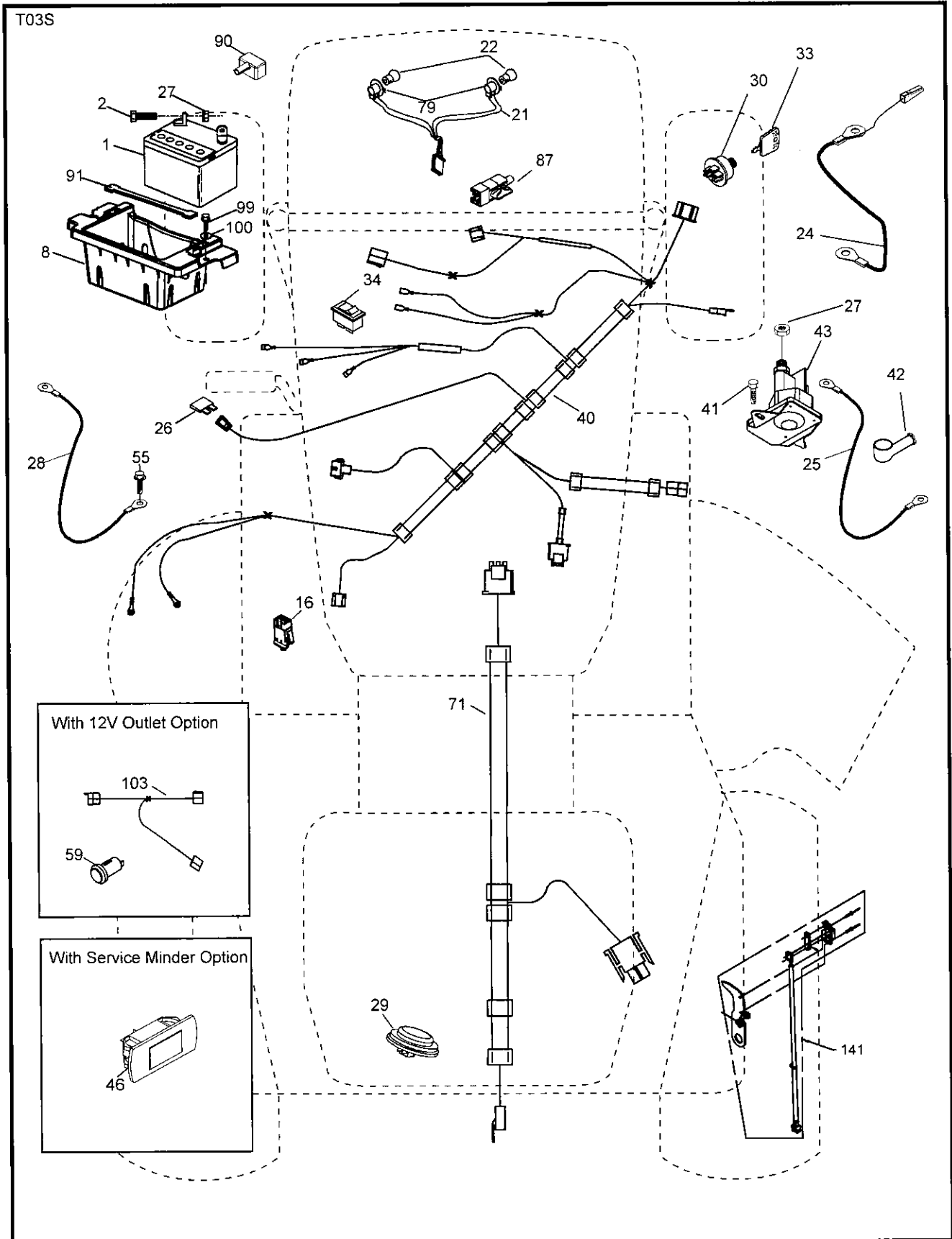
● NON-REMOVABLE CONNECTIONS

○ REMOVABLE CONNECTIONS

REPAIR PARTS

TRACTOR- -MODEL NO. 917.253690

ELECTRICAL



REPAIR PARTS

TRACTOR- -MODEL NO. 917.253690

ELECTRICAL

KEY NO.	PART NO.	DESCRIPTION
1	163465	Battery
2	74760412	Bolt Hex Hd 1/4-20 unc x 3/4
8	186491	Box Battery
16	176138	Switch Interlock Push-In
21	400252	Harness Socket Light w/4152J
22	4152J	Bulb Light
24	400253	Cable Btry.
25	412895	Cable Starter
26	175158	Fuse
27	73510400	Nut Keps Hex 1/4-20 unc
28	145491	Cable, Ground
29	401545	Switch, Seat
30	193350	Switch, Ign
33	411934	Key/Chain
34	110712X	Switch Light / Reset
40	401098	Harness Ign. Dash
41	17720408	Screw Thd Cut 1/4-20 x 1/2
42	131563	Cover, Terminal
43	192507	Solenoid
46	413931	Gauge SRVCMNDR HRMTR
55	17060512	Screw Thdrol 5/16-18 x 3/4 TYTT
71	194276	Harness Ign. Chassis
79	175242	Bulbholder Asm. Incan Descent
87	197802	Switch Interlock Clutch Cable
90	400724	Cover Terminal Battery
91	190270	Strap Btry.
99	17670412	Screw Hexwsh Thdrol 1/4-20 x 3/4
100	19091416	Washer 9/32 x 7/8 16 Ga.
141	416977	Kit T2 ROS

NOTE: All component dimensions given in U.S. inches.
1 inch = 25.4 mm.

REPAIR PARTS

TRACTOR- -MODEL NO. 917.253690

CHASSIS AND ENCLOSURES

KEY NO.	PART NO.	DESCRIPTION
5	421809X428	Dash
14	421154X615	Hood
15	421493X599	Lens LH
18	423157	Grille
25	421494X599	Lens RH
34	196125	Plate Engine
36	17060512	Screw 5/16-18 x 3/4
37	414878X615	Fender
52	73680500	Nut Crown Lock 5/16-18
58	412280	Drawbar Upper
68	17490508	Screw Thdrol 5/16-18 x 1/2
130	416358	Screw # 10 x .750 BOS Thread
138	193224X428	Cupholder
150	199411	Duct Heat Hood
151	196332	Bracket Pivot
152	199535	Shield Browning/Debris
159	17000612	Screw Hexwsh Thdrol 3/8-16 x 3/4
161	193229X428	Window Fuel
162	142432	Screw Hex Wsh Hi-Lo 1/4 x 1/2
165	196826	Support Tank Rear
175	196304	Crossmember
176	400776	Screw 10-24 x 5/8 Wshd Qdrx
177	195227	Bushing Steering
180	415063	Chassis
181	193102X428	Bushing Mtg. Fender Crgo.
182	406859	Dash Lower
183	74780520	Bolt Fin Hex 5/16-18 x 1-1/4
189	17000512	Screw 5/16 - 18 x 3/4
191	425407	Insert Reflective RH
194	73900500	Nut Lock Hex Flange 5/16-18
195	401556X428	Plug Hole Dash 12V Adapter
196	414579	Console Asm. Deck Lift
202	423175	Vent Side Hood RH
203	423174	Vent Side Hood LH
213	74760512	Bolt hex HD 5/16-18 unc x 3/4
217	409167	Rod Pivot Chassis
218	196395	X piece hood stop
225	421255X615	Bumper
228	195161	Stud Fastener
235	406129	Spacer Fender
236	73930500	Nut Center Lock 5/16-18
237	403704	Plug Mount Cargo
287	17600406	Screw Hex Washhead 1/4-20 x 3/8
297	425406	Insert Reflective LH
314	423145	Trim SD LH
315	423146	Trim SD RH

NOTE: All component dimensions given in U.S. inches.
1 inch = 25.4 mm.

REPAIR PARTS

TRACTOR- -MODEL NO. 917.253690

DRIVE

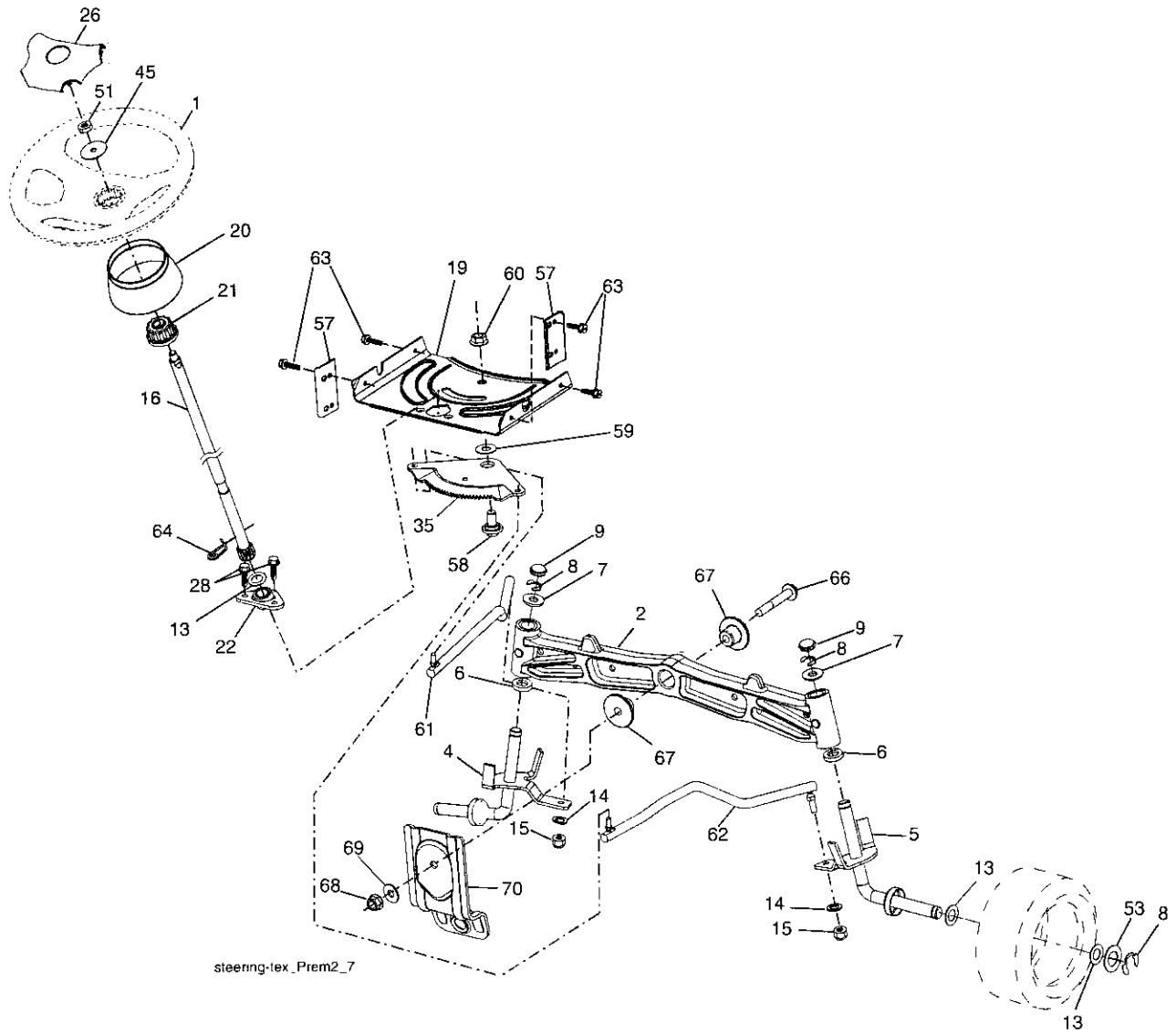
KEY NO.	PART NO.	DESCRIPTION	KEY NO.	PART NO.	DESCRIPTION
1	--	Transaxle, Hydro GR T2-AABC-1X2B-1GX1	163	413322	Rod Pedal Control
2	123583X	Key	166	197290	Nut, Push
15	19131316	Washer 13/32 x 13/16 x 16 Ga.	167	405257	Latch Brake Parking
17	197296	Spring, Brake	170	413430	Keeper Belt Centerspan
26	199679	Spring Return Cruise	183	156972	Spacer Axle
29	423239	Rod, Brake	184	196439X505	Handle Parking Brake
33	12000001	Ring E	185	72110622	Bolt
35	199591	Rod, Brake, Park	186	194321	Spacer Retainer
37	121749x	Washer 25/32 x 1-1/4 x 16 Ga.	187	19133210	Washer
42	8883R	Cover, Foot Pedal	188	194323	Link Clutch Ground Drive
49	72110614	Bolt	189	194317	Bellcrank Ground Drive
50	194327	Pulley Idler Flat	190	194318	Keeper Bellcrank Ground Drive
51	73900600	Lock Nut 3/8-16	205	121748X	Washer
52	194326	Idler V-Groove 910" Offset	206	197867	Bracket Mount Latch Cruise
56	125907x	V-Belt, Drive	207	197868	Latch Control Cruise
64	197865	Shaft Asm. Pedal Brake Control	208	197869	Bolt Sector Control Cruise
73	74490544	Bolt Hex Flghd. 5/16-18 Gr. 5	209	199592	Rod Control Cruise
80	408393	Strap Torque	210	400980	Rocker Asm. Pedal Control
92	74760520	Bolt Fin. Hex 5/16-18 unc x 1.25	211	120183X	Bearing, Nylon
99	408418	Rod Asm. Bypass	213	196441X428	Knob Control Cruise
114	73800500	Nut Lock 5/16-18 unc	214	421263	Pad Pedal Forward
116	73900500	Nut Lock Hex Flange 5/16-18	215	197301X428	Pad Pedal Reverse
121	175611	Bracket Mount Torque	216	196131	Bracket Pulley Idler
122	72010520	Bolt 5/16-18 2.50	221	403187	Retainer Spring Clip Handle
125	17000512	Screw 5/16-18 x 3/4	222	79212010	Washer
143	17490508	Screw 5/16-18 x 1/2	231	407287	Idler V-Groove 1.688" OFFSET
153	4497H	Retainer Spring			
159	76020412	Pin Cotter 1/8 x 3/4			
160	169484	Retainer Clip			
161	105709x	Spring, Return, Clutch			

NOTE: All component dimensions given in U.S. inches
1 inch = 25.4 mm

REPAIR PARTS

TRACTOR- -MODEL NO. 917.253690

STEERING ASSEMBLY



REPAIR PARTS

TRACTOR- -MODEL NO. 917.253690

STEERING ASSEMBLY

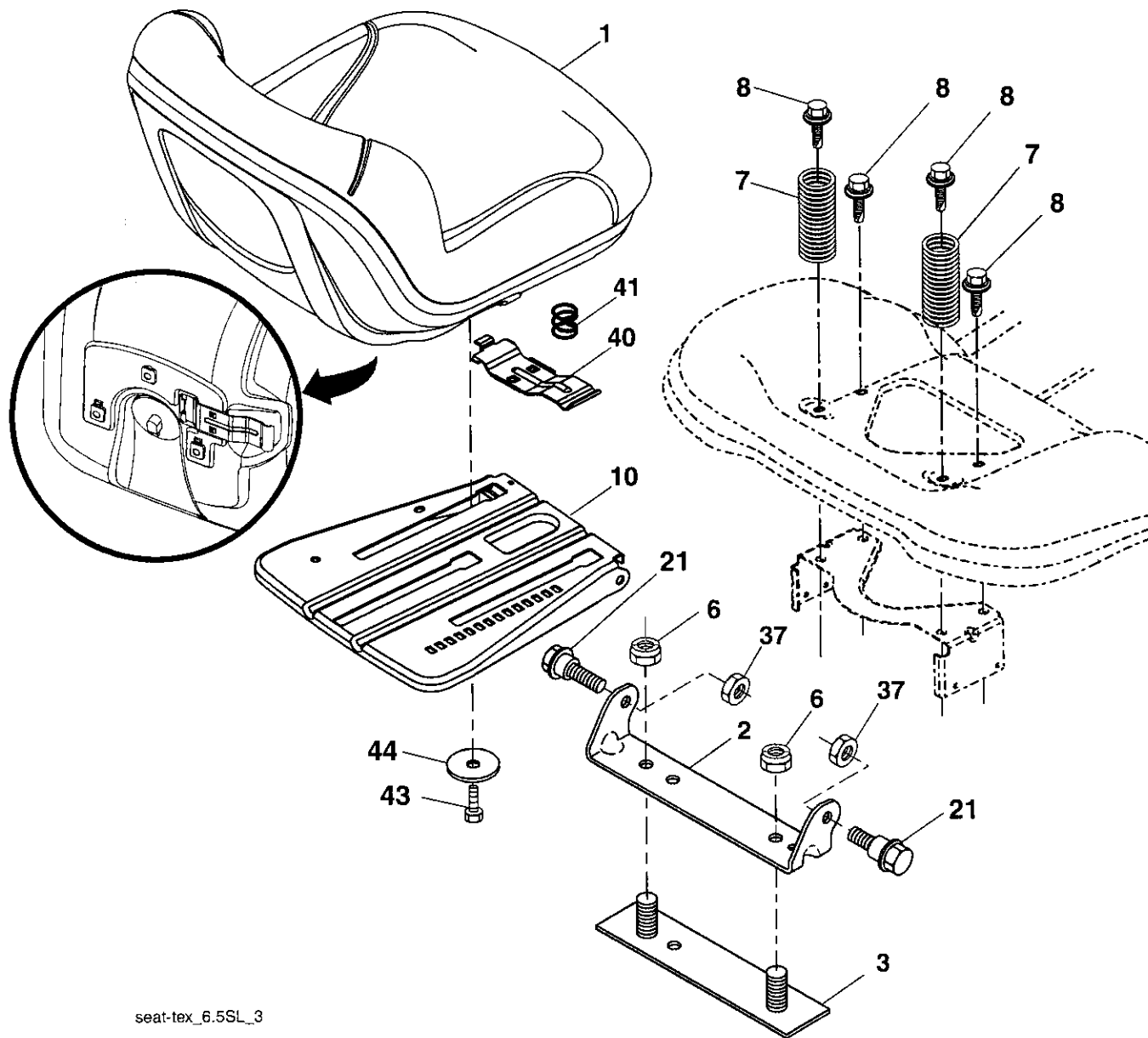
KEY NO.	PART NO.	DESCRIPTION
1	414803X428	Wheel, Steering
2	195968	Axle Asm., Front
4	403087	Spindle Asm., LH
5	403088	Spindle Asm., RH
6	6266H	Bearing, Race Thrust Harden
7	121748X	Washer 25/32 x 1-5/8 x 16 Ga.
8	12000029	Ring, Klip #T5304-75
9	184946X505	Cap, Spindle
13	121749X	Washer 25/32 x 1-1/4 x 16 Ga.
14	STD551137	Washer, Lock Hvy Hlcl Spr 3/8
15	73540600	Nut, Crown Lock 3/8-24 unf
16	194746	Shaft Steering
19	194729	Plate Steering
20	199676X428	Boot, Steering
21	186737	Adapter, Wheel Steering
22	194845	Bushing, Strg. Blk
26	414852X428	Insert, Wheel Steering
28	17000612	Screw 3/8-16 x 3/4
35	194732	Gear, Sector Plate
45	19183812	Washer 9/16 x 2-3/8 x 12 Ga.
51	73940800	Nut Hex 1/2-20 unf
53	188967	Washer Hardened .793 x 1.637 x .060
57	407465	Bracket Upstop
58	194747	Bolt Shoulder Sector Pivot CFM
59	194748	Washer Thrust Sector Steering
60	73971000	Nut Flange Lock 5/8-11
61	194740	Draglink LH
62	194741	Draglink, RH
63	17000512	Screw 5/16-18 x 3/4
64	199849	Retainer Clip Spring Steering
66	71020748	Bolt Hex Fghd 7/16-14 x 3 Serr
67	194737	Bushing PM Front Axle
68	73900700	Nut Lock Flange 7/16-14 Gr. 5
69	199162	Washer 1.5 x .505 x .118
70	196197	Bracket Deck Susp. Front

NOTE: All component dimensions given in U.S. inches.
1 inch = 25.4 mm.

REPAIR PARTS

TRACTOR- -MODEL NO. 917.253690

SEAT ASSEMBLY



seat-tex_6.5SL_3

KEY NO.	PART NO.	DESCRIPTION
1	423645	Seat
2	180166	Bracket Pivot Fender
3	140675	Strap, Asm Fender
6	STD541437	Nut, Lock W/Ins. 3/8-16 unc
7	124181X	Spring, Seat Cprsn
8	171877	Bolt 5/16-18 uncx 3/4 w/Sems
10	196977	Pan, Seat
21	171852	Bolt, Shoulder 5/16-18

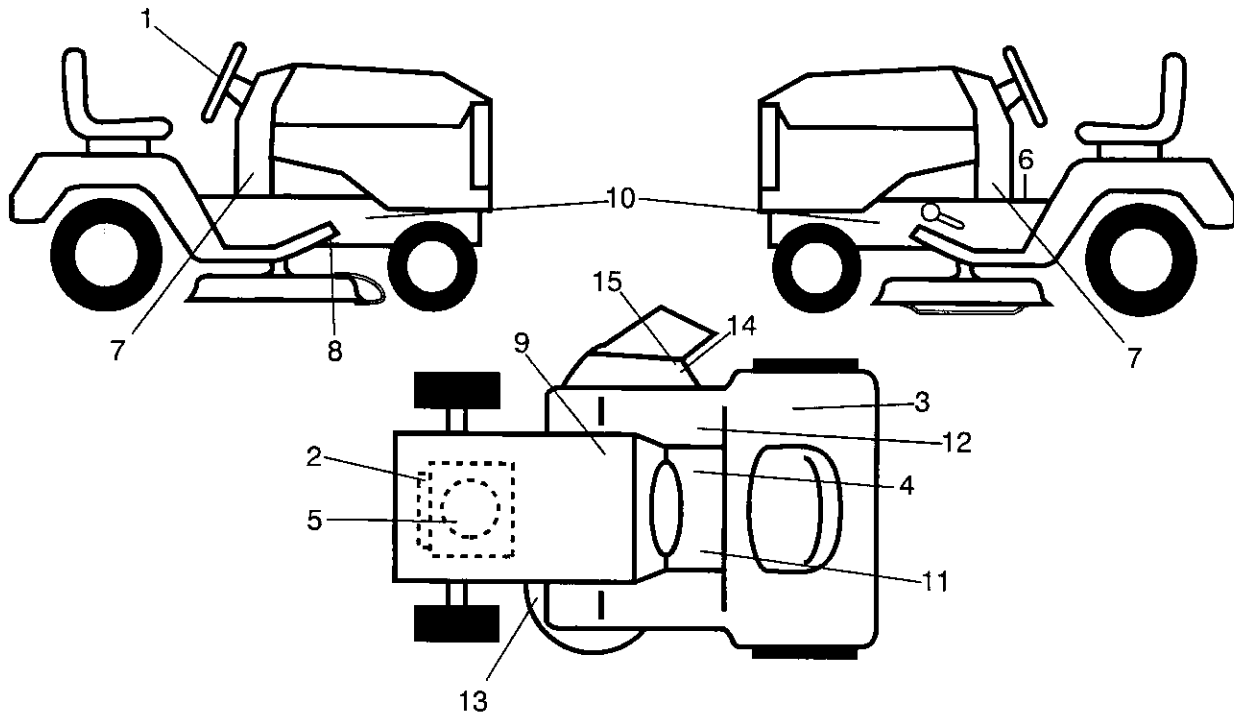
KEY NO.	PART NO.	DESCRIPTION
37	STD541431	Nut, Lock 5/16-18 unc
40	197661	Handle Slide Seat
41	198200	Spring Latch Seat
43	74760612	Bolt 3/8-16 x 3/4
44	19133812	Washer 13/32 x 2-3/8 x 12 Ga.

NOTE: All component dimensions given in U.S. inches.
1 inch = 25.4 mm

REPAIR PARTS

TRACTOR- -MODEL NO. 917.253690

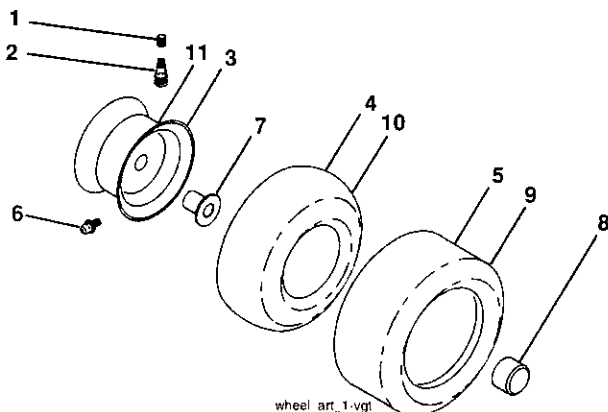
DECALS



KEY NO.	PART NO.	DESCRIPTION
1	422885	Decal, Steering
2	196841	Decal, Warning Engine Sym.
3	180432	Decal, Fender 100 DB/CE
4	178302	Decal, Operator Cruise Sym.
5	420133	Decal, Engine HP
6	400389	Decal, Fender Operator's
7	425787	Decal, Lower Dash
8	199135	Decal, V-Belt Schematic Drive
9	145005	Decal, Battery Dnge/Poi
10	159736	Decal, Chassis Hot Muffler
11	159737	Decal, Brake/Clutch Sym.
12	140837	Decal, Saddle Brake Parking

KEY NO.	PART NO.	DESCRIPTION
13	160396	Decal, Mower V-Belt SCH.
14	196357	Decal, Deflector Wrn. Cutfinger Sym.
15	182166	Decal, Cutfinger CE
--	193226X428	Pad, Footrest LH
--	400981X428	Pad, Footrest
--	166960	Decal, Bypass
--	162598	Decal, Drawbar Load Limit
--	427571	Manual, Operator's (Euro)
--	427572	Manual, Operator's (Scand)
--	427573	Manual, Operator's (E-Bloc)
--	427574	Manual, Operator's (Baltic)
--	427205	Manual, Parts

WHEELS & TIRES



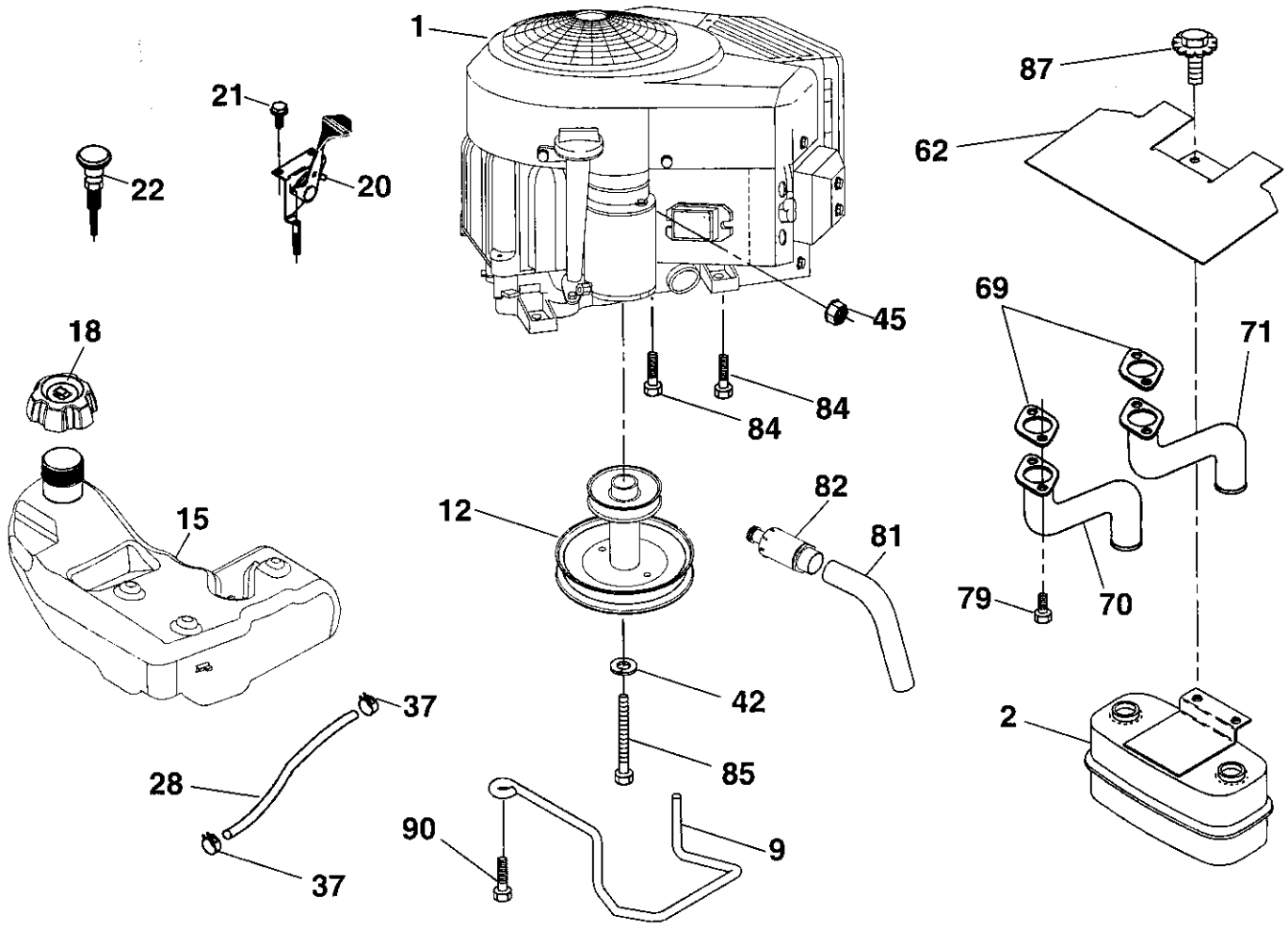
KEY NO.	PART NO.	DESCRIPTION
1	59192	Cap, Valve, Tire
2	65139	Stem, Valve
3	106732X613	Rim Assembly, Front
4	59904	Tube, Front
5	106222X	Tire, Front
6	278H	Fitting, Grease
7	9040H	Bearing, Flange
8	104757X428	Cap, Axle (Front Wheel Only)
9	420531	Tire, 18 x 9.5-8 TurfSaver LT
10	7152J	Tube, Rear
11	106108X613	Rim Assembly, Rear
--	144334	Sealant, Tire (10 oz. Tube)

NOTE: All component dimensions given in U.S. inches
1 inch = 25.4 mm

REPAIR PARTS

TRACTOR- -MODEL NO. 917.253690

ENGINE



29

SPARK ARRESTER KIT

engine-tex_bs-2cyl_13

REPAIR PARTS

TRACTOR- -MODEL NO. 917.253690

ENGINE

KEY NO.	PART NO.	DESCRIPTION
1	-----	Engine B&S Model No. 445677-1344-B1 (See Engine Breakdown)
2	149723	Muffler
9	194319	Keeper Belt Engine
12	405140	Pulley Engine
15	400021	Tank Fuel
18	195951	Cap Asm
20	175437X428	Control Throttle
21	416358	Screw 10 x .750 BOS Thread
22	187767X428	Control Choke
28	8543R	Fuel Line
29	137180	Spark Arrester Kit
37	123487X	Clamp Hose
42	10040700	Washer Lock 7/16
45	73510400	Nut Keps Hex 1/4-20 unc
62	146629	Shield Heat Muffler
69	165391	Gasket
70	159955	Exhaust Tube LH
71	160589	Exhaust Tube RH
79	183906	Screw 5/16-18 x .75
81	148456	Tube Drain Oil Easy
82	181654	Plug Drain Oil
84	17060620	Screw 3/8-16 x 1-1/4
85	173937	Bolt Hex 7/16-20 x 4 x Gr. 5-1.5
87	171877	Bolt 5/16-18 unc x 3/4 w/Sems
90	17000616	Screw 3/8-16 x 1.0

NOTE: All component dimensions given in U.S. inches
1 inch = 25.4 mm

For engine service and replacement parts, call the toll free number for your engine manufacturer listed below:

Briggs & Stratton 1-800-233-3723

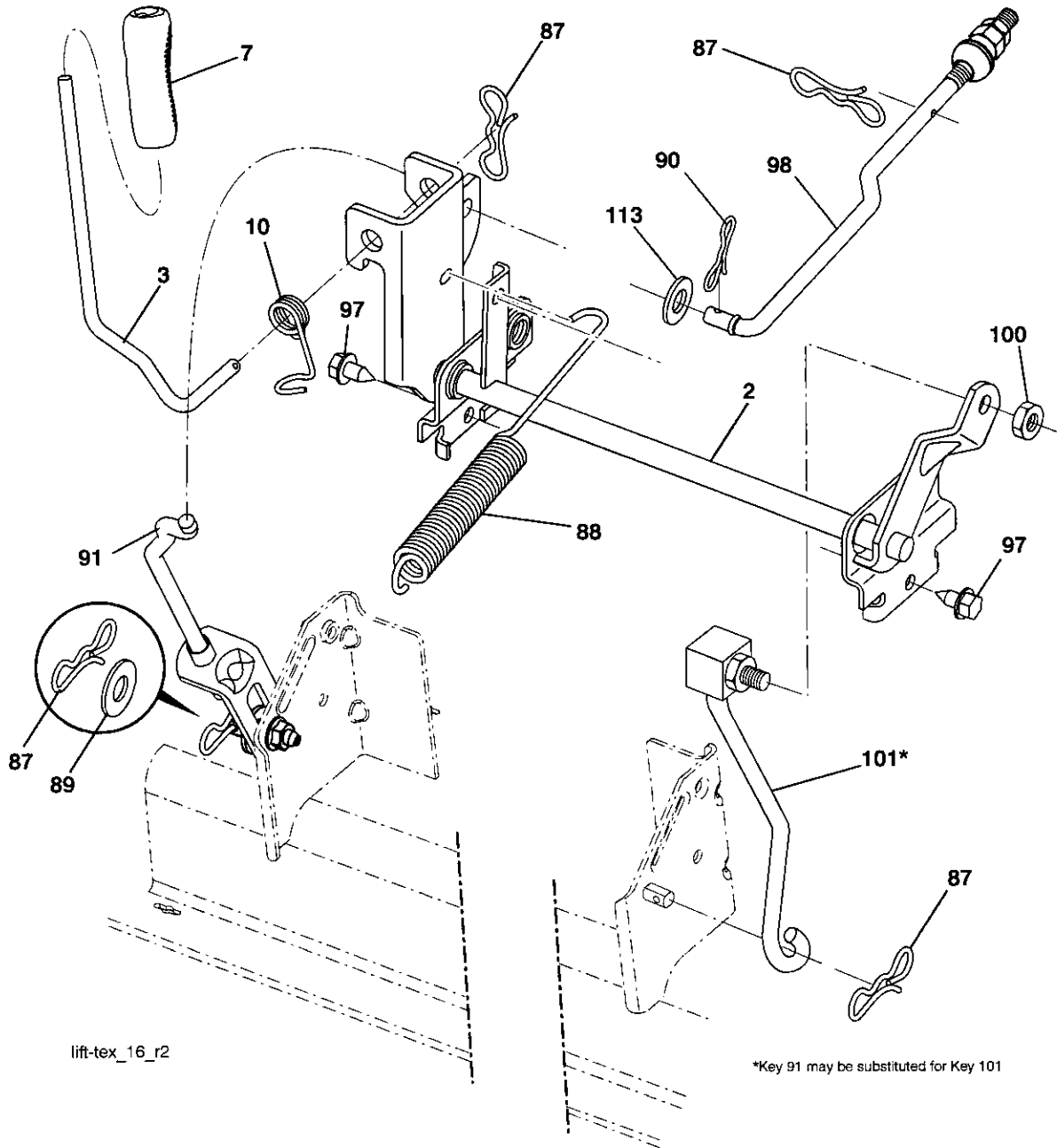
Engine Power Rating Information

The gross power rating for individual gas engine models is labeled in accordance with SAE (Society of Automotive Engineers) code J11940 (Small Engine Power & Torque Rating Procedure), and rating performance has been obtained and corrected in accordance with SAE J1995 (Revision 2002-5). Actual gross engine power will be lower and is affected by, among other things, ambient operating conditions and engine-to-engine variability. Given both the wide array of products on which engines are placed and the variety of environmental issues applicable to operating the equipment, the gas engine will not develop the rated gross power when used in a given piece of power equipment (actual "on-site" or net horsepower). This difference is due to a variety of factors including, but not limited to, accessories (air cleaner, exhaust, charging, cooling, carburetor, fuel pump, etc.), application limitations, ambient operating conditions (temperature, humidity, altitude), and engine-to-engine variability. Due to manufacturing and capacity limitations, Briggs & Stratton may substitute an engine of higher rated power for this Series engine.

REPAIR PARTS

TRACTOR- -MODEL NO. 917.253690

MOWER LIFT



lift-tex_16_r2

*Key 91 may be substituted for Key 101

REPAIR PARTS

TRACTOR- -MODEL NO. 917.253690

MOWER LIFT

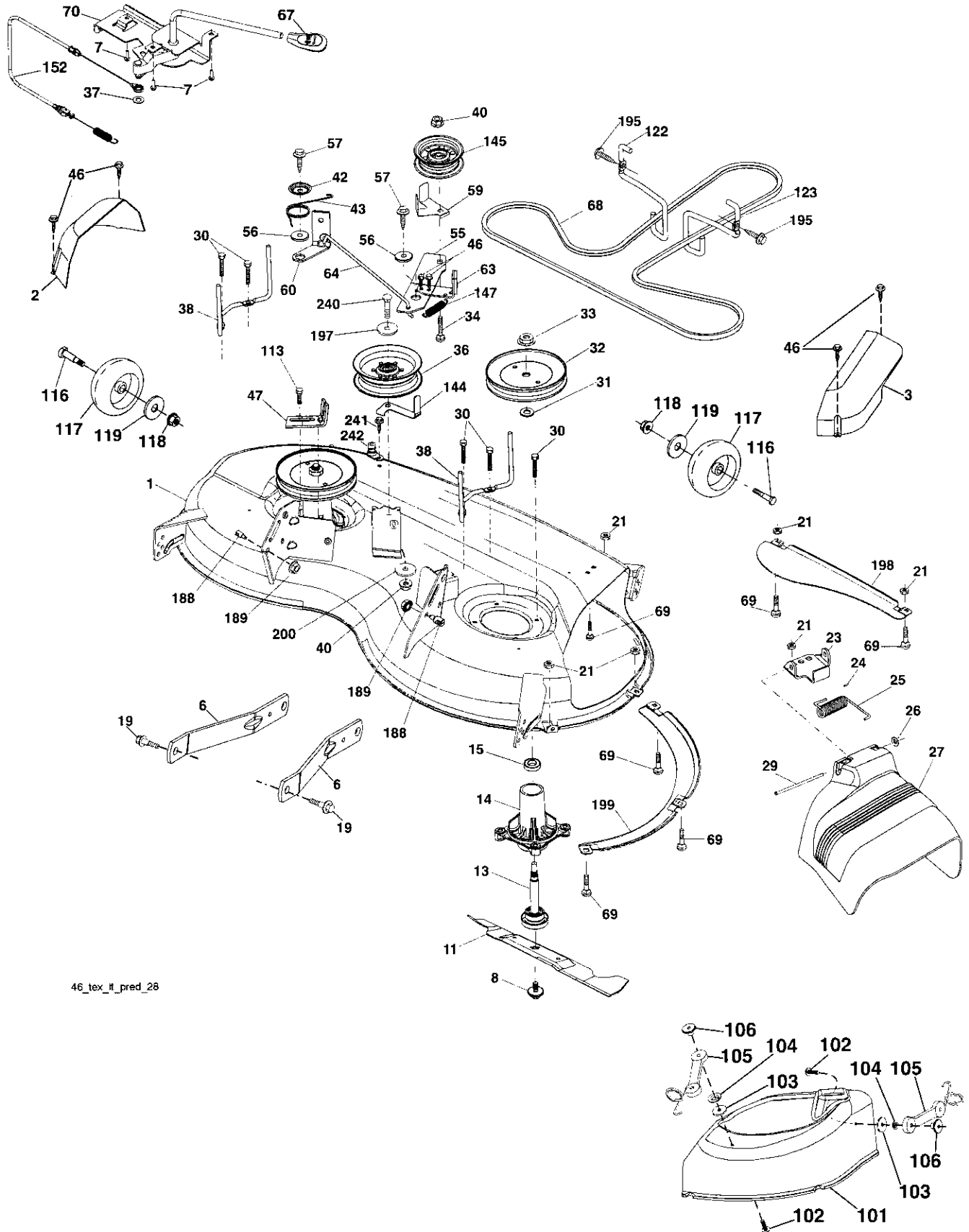
KEY NO.	PART NO.	DESCRIPTION
2	195223	Shaft Asm., Lift
3	195231	Lever Asm., Lift RH
7	196492X428	Grip, Lever
10	196314	Spring Torsion
87	194209	Pin Cotter 7/16 Bow Tie Lock
88	410710	Spring Lift Assist
89	19191912	Washer Clear Zinc
90	194208	Pin Cotter 5/16 Bow Tie Lock
91	195181	Link Lift Susp Mower Rear
97	17000612	Screw 3/8-16 x .75
98	195270	Link Lift Susp. Front Mower
100	73930600	Nut Centerlock 3/8-16 unc
101	407003	Link Asm. Lift FXD
113	19171912	Washer 17/32 X 1-3/16 X 12 Ga

NOTE: All component dimensions given in U.S. inches
1 inch = 25.4 mm

REPAIR PARTS

TRACTOR- -MODEL NO. 917.253690

MOWER



46_tex_it_pred_28

REPAIR PARTS

TRACTOR- -MODEL NO. 917.253690

MOWER

KEY NO.	PART NO.	DESCRIPTION	KEY NO.	PART NO.	DESCRIPTION
1	405049X615	Mower Housing	69	72140505	Bolt
2	405507	Cover Mandrel LH	70	199972	Clutch Asm. Manual
3	405506	Cover Mandrel RH	101	405454	Cover Mulch 46"
6	195186	Arm Suspension	102	71081010	Screw Pan HD Phillip 10-24 x 5/8
7	416358	Screw #10 x 0.750 BOS Thread	103	10071000	Washer Lock #10
8	193003	Bolt/Washer Asm. 7/16-20 unf	104	19061216	Washer #10
11	403107	Blade Mulching	105	160793	Latch Asm.
13	192872	Shaft Assembly, Mandrel	106	2029J	Nut Weld .327/.304 #10-24
14	187281	Housing, Mandrel	113	17000510	Screw 5/16-18
15	110485X	Bearing, Ball, Mandrel	116	4898H	Bolt, Shoulder
19	196539	Bolt, Shoulder	117	188606	Wheel, Gauge
21	73680500	Nut	118	73930600	Nut, Crownlock 3/8-1
23	192557	Bracket, Deflector	119	19121414	Washer 13/32 x 7/8 x 14 Ga.
24	105304X	Cap, Sleeve	122	197258	Keeper Belt Eng. LH
25	197026	Spring, Torsion, Deflector	123	197259	Keeper Belt Eng. RH
26	110452X	Nut, Push	144	199204	Keeper Belt
27	405357	Shield, Deflector	145	193197	Pulley Idler
29	131491	Rod, Hinge	147	401872	Spring Return
30	173984	Screw Thdrol. Rolling Wsh. Hd.	152	408714	Cable Clutch Manual w/Spr.
31	187690	Washer, Spacer	188	195161	Stud Fastener
32	197473	Pulley, Mandrel	189	73900500	Nut Lock Hex Flange
33	400234	Nut, Toplock, Flanged	195	17000612	Screw Hex Wsh. Thdr. 3/8 -16 x 3/4
34	72110612	Bolt Carr. Sh. 3/8-16 x 1-1/2 Gr. 5	197	19131312	Washer 13/32 x 13/16 x 12 Ga.
36	197379	Pulley, Idler, Flat	198	403149	Baffle Center Front
37	19131316	Washer 13/32 x 13/16 x 16 Ga.	199	403150	Baffle Front RH
38	199189	Keeper Belt LH Mandrel	200	413524	Washer 13/32 x 1 x 1/2 x 11 Ga
40	73900600	Nut, Lock Flg. 3/8-16 unc	240	74520636	Bolt Fin. Hex 3/8-16 x 2-1/4 Gr. 5
42	197256	Spring Torsion Retainer	241	152927	Screw
43	198410	Spring Trosion Brake	242	415598	Port Washout
46	137729	Screw	--	416405	Coupling Quick Connect
47	197250	Bracket Clutch Cable	--	192870	Mandrel Assembly (Includes housing, shaft assembly, and bearing only - pulley/nut/washer and blade bolt/washers not included)
55	197249	Arm, Idler			Replacement Mower, Complete
56	199092	Spacer, Retainer			
57	17000616	Screw Hex Wsh. Thd. 3/8-16 x 1			
59	141043	Guard, Tuv. Idler (94)	--	427650	
60	199471	Arm Brake Mower			
63	199477	Arm Brake Mower			
64	405138	Linkage Brake			
67	198398X505	Handle, Clutch Cable			
68	405143	V-Belt			

NOTE: All component dimensions given in U.S. inches
1 inch = 25.4 mm

TRACTOR - - MODEL NUMBER 917.253690

HYDRO GEAR TRANSAXLE - MODEL NUMBER T2

T2-AABC-1X1A-1GX1

