

REPAIR PARTS MANUAL
MODEL NO. 253630
Lawn Tractor

CRAFTSMAN®

HOW TO USE THIS MANUAL

This manual is designed to provide the customer with a means to identify the parts on his/her tractor when ordering repair parts. The illustrations may or may not represent the actual assemblies; therefore, it is not recommended to use this manual as a guide to assemble or disassemble the tractor. Some hardware and parts are drawn larger in order to more readily identify them.

Each tractor has its own model number.

The model number for your tractor can be found on the fender under the seat.

When ordering parts, always give the following information:

- Product - "Tractor"
- Model Number - "253630"
- Part Number
- Part Description

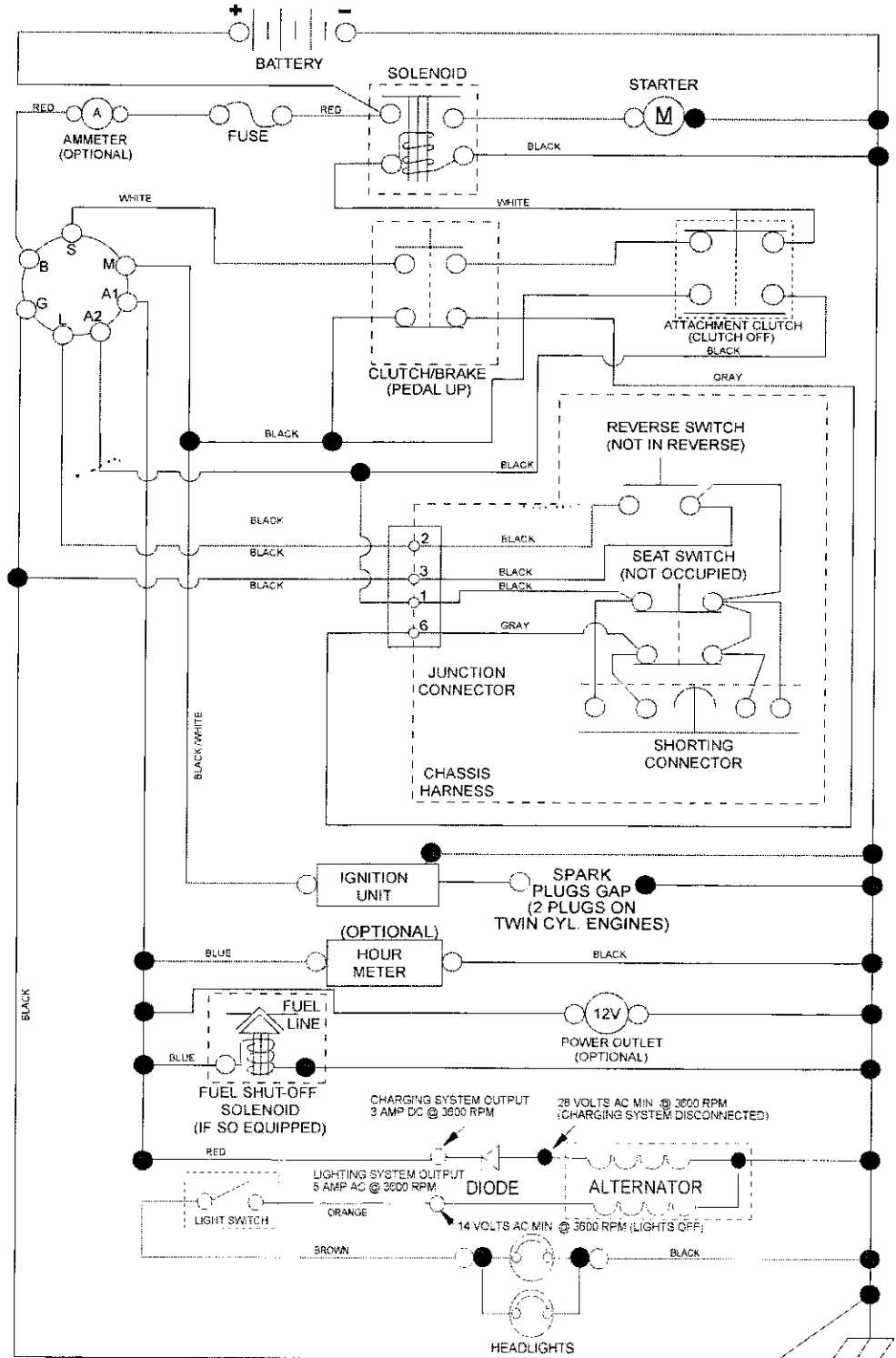
TABLE OF CONTENTS

SCHEMATIC	3
ELECTRICAL.....	4-5
CHASSIS	6-7
DRIVE.....	8-9
STEERING	10-11
SEAT	12
DECALS.....	13
ENGINE.....	14-15
MOWER LIFT.....	16-17
MOWER DECK	18-19
TRANSAXLE BREAKDOWN	20-21
ENGINE BREAKDOWN.....	22-27
WARRANTY.....	BACK COVER

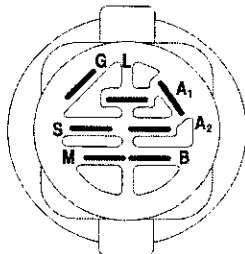
TRACTOR- -MODEL NO. 917.253630

SCHEMATIC

SCH11

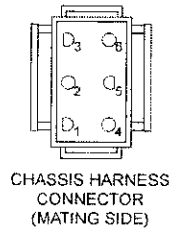


NOTE
YOUR TRACTOR IS EQUIPPED WITH A SPECIAL ALTERNATOR SYSTEM. THE LIGHTS ARE NOT CONNECTED TO THE BATTERY, BUT HAVE THEIR OWN ELECTRICAL SOURCE. BECAUSE OF THIS, THE BRIGHTNESS OF THE LIGHTS WILL CHANGE WITH ENGINE SPEED. AT IDLE THE LIGHTS WILL DIM. AS THE ENGINE IS SPEEDED UP, THE LIGHTS WILL BECOME THEIR BRIGHTEST.

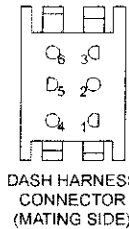


IGNITION SWITCH

POSITION	CIRCUIT	"MAKE"
OFF	M+G+A1	
RUN/OVERRIDE	B+A1	
RUN	B+A1	L+A2
START	B + S + A1	

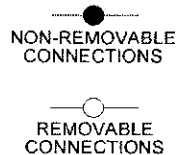


CHASSIS HARNESS CONNECTOR (MATING SIDE)



DASH HARNESS CONNECTOR (MATING SIDE)

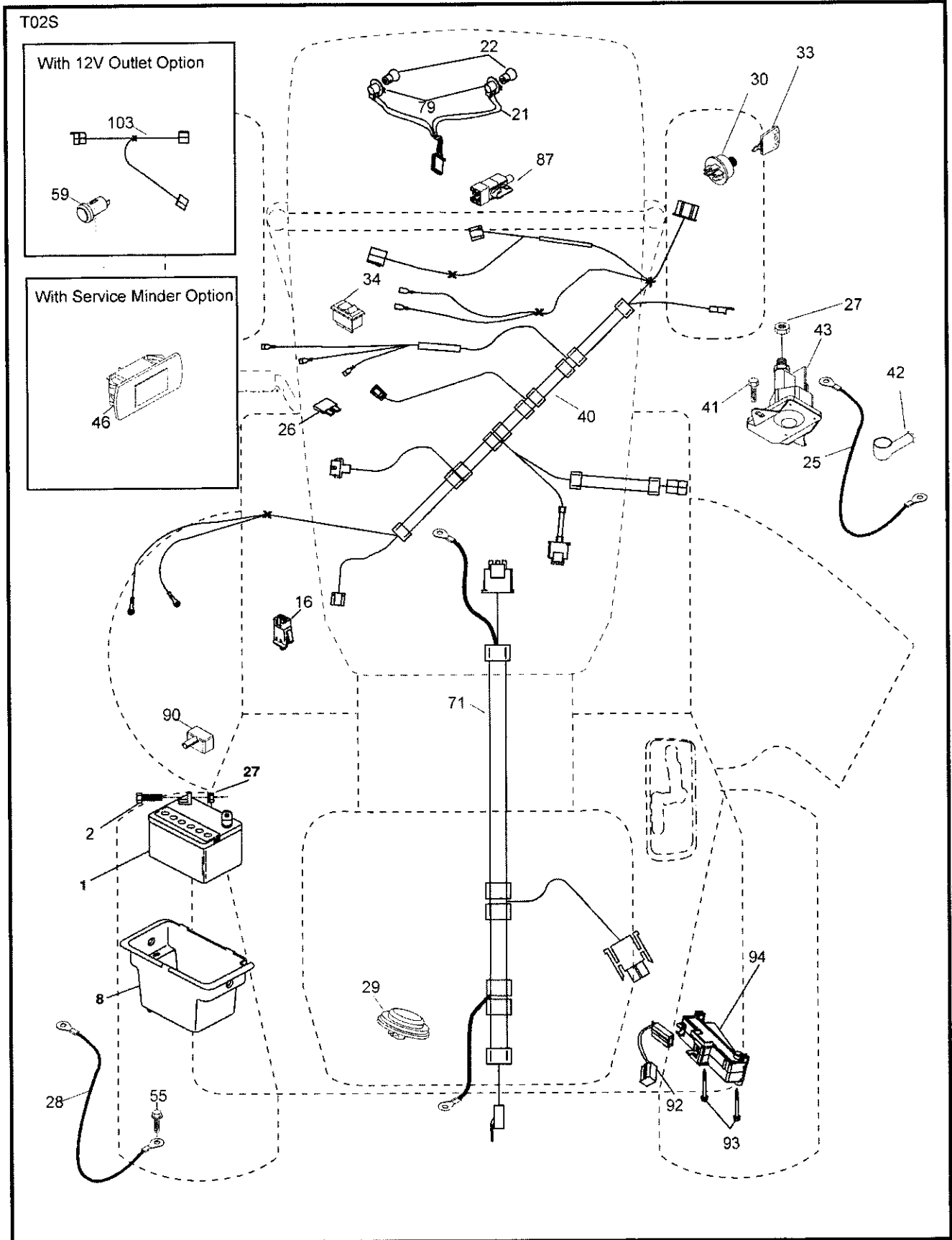
WIRING INSULATED CLIPS
NOTE: IF WIRING INSULATED CLIPS WERE REMOVED FOR SERVICING OF UNIT, THEY SHOULD BE RE-INSTALLED TO PROPERLY SECURE YOUR WIRING.



REPAIR PARTS

TRACTOR- -MODEL NO. 917.253630

ELECTRICAL



REPAIR PARTS

TRACTOR- -MODEL NO. 917.253630

ELECTRICAL

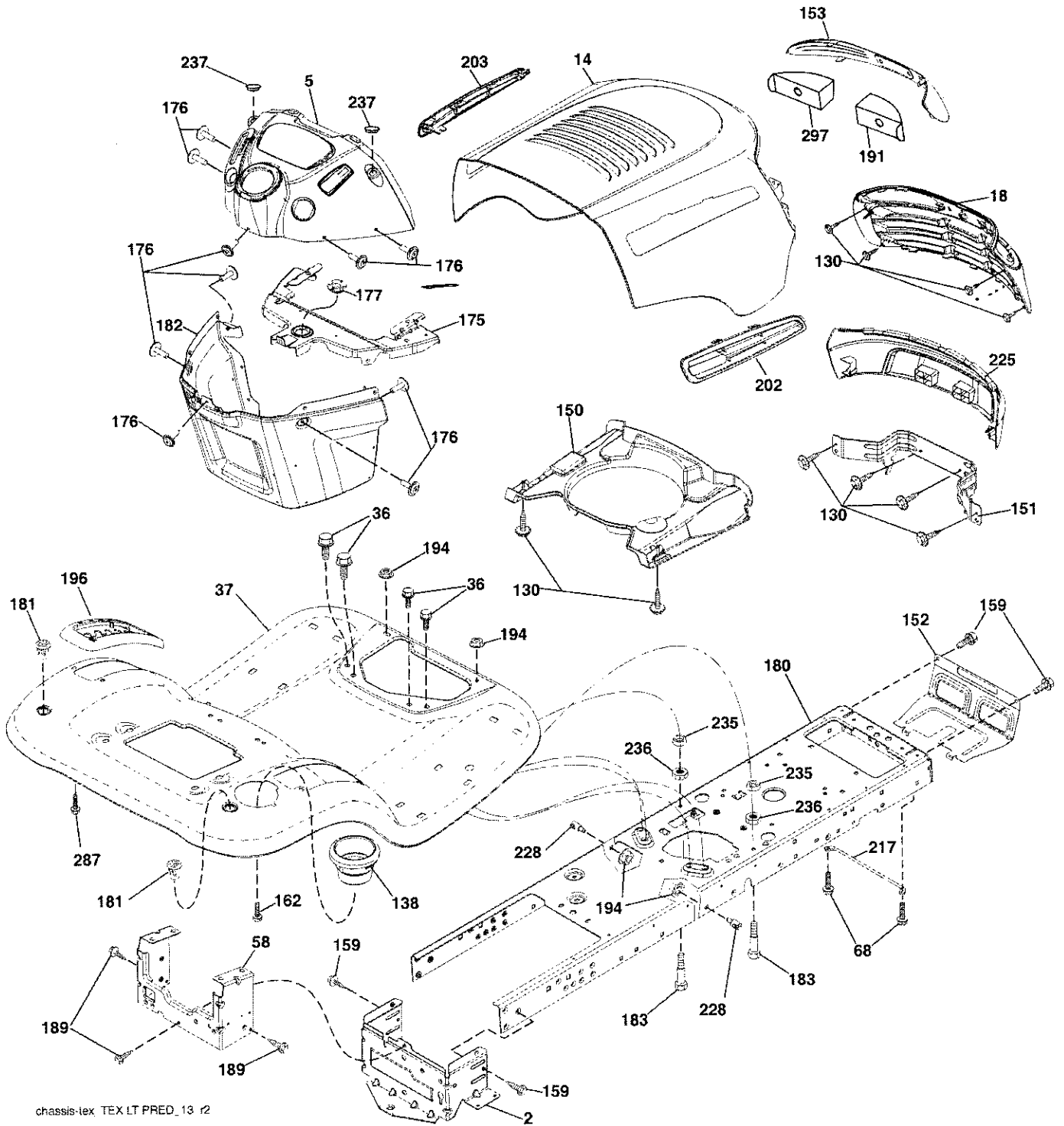
KEY NO.	PART NO.	DESCRIPTION
1	163465	Battery
2	74760412	Bolt Hex Hd 1/4-20 unc x 3/4
8	193228	Box Battery
16	176138	Switch Interlock Push-In
21	400252	Harness Socket Light w/4152J
22	4152J	Bulb Light
25	412894	Cable Starter
26	175158	Fuse
27	73510400	Nut Keps Hex 1/4-20 unc
28	198885	Cable, Ground
29	401545	Switch, Seat
30	193350	Switch, Ign
33	411934	Key/Chain
34	110712X	Switch Light / Reset
40	401098	Harness Ign. Dash
41	17720408	Screw Thd Cut 1/4-20 x 1/2
42	131563	Cover, Terminal
43	192507	Solenoid
55	17060512	Screw Thdrol 5/16-18 x 3/4 TYTT
71	400449	Harness Ign. Chassis
79	175242	Bulbholder Asm. Incan Descent
87	197802	Switch Interlock Clutch Cable
90	400725	Cover Terminal Battery
92	196615	Harness Pigtail Reverse Switch
93	192540	Screw Plastite 10 - 14 x 2 00
94	191834	Module Reverse Ros

NOTE: All component dimensions given in U.S. inches.
1 inch = 25.4 mm.

REPAIR PARTS

TRACTOR- -MODEL NO. 917.253630

CHASSIS AND ENCLOSURES



chassis-tex TEX LT PRED_13 r2

REPAIR PARTS

TRACTOR- -MODEL NO. 917.253630

CHASSIS AND ENCLOSURES

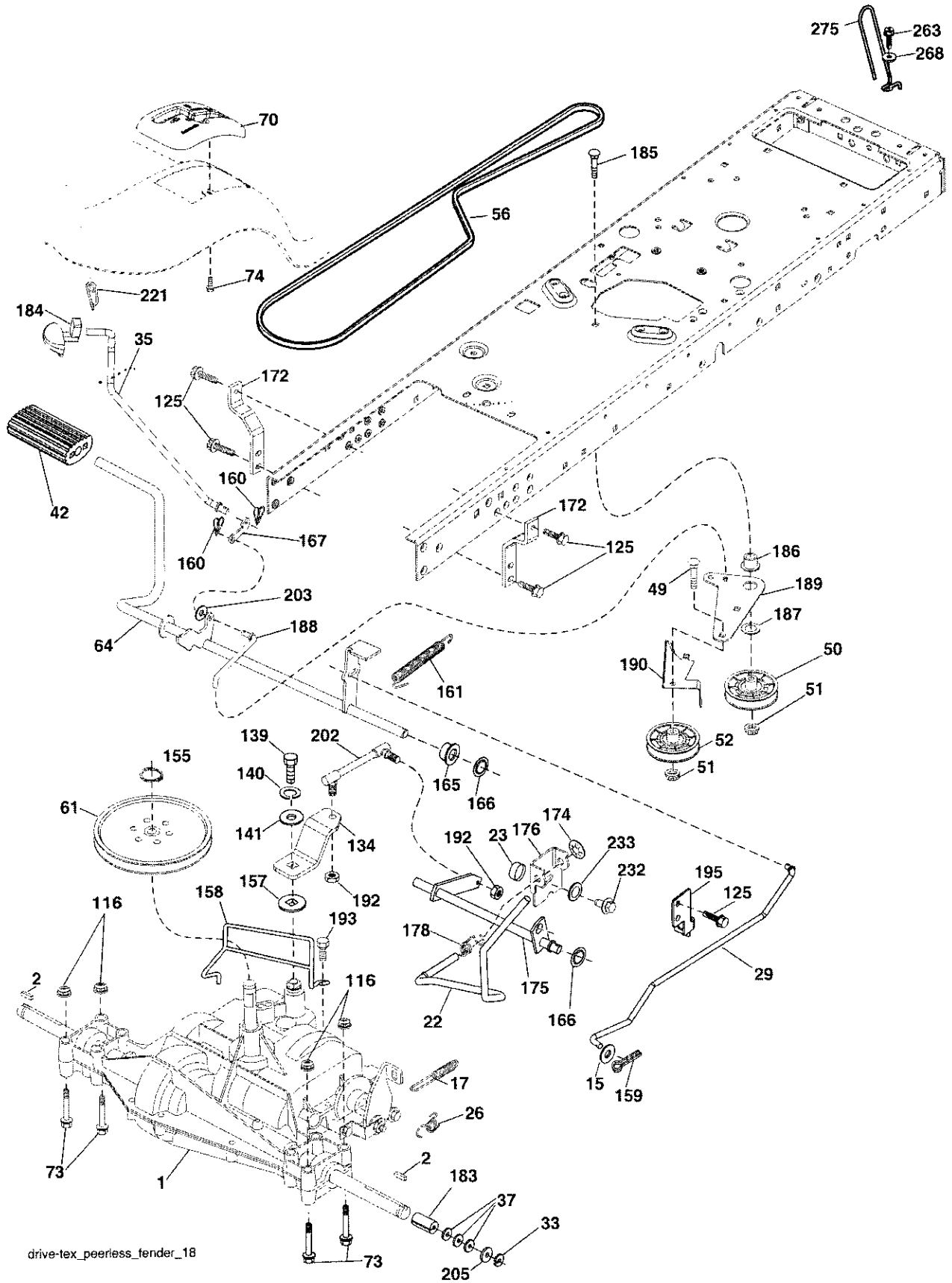
KEY NO.	PART NO.	DESCRIPTION
2	412282	Drawbar Lower
5	408874X428	Dash
14	198416X613	Hood
18	423156	Grille
36	17060512	Screw 5/16-18 x 3/4
37	414872X613	Fender
58	412280	Drawbar Upper
68	17490508	Screw Thdrol 5/16-18 x 1/2
130	416358	Screw #10 x 0.750
138	193224X428	Cupholder
150	400267	Duct Heat Hood
151	187568	Bracket Pivot
152	194329	Shield Browning/Debris
153	400550X599	Lens
159	17000612	Screw Hexwsh Thdrol 3/8-16 x 3/4
162	142432	Screw Hex Wsh Hi-Lo 1/4 x 1/2
175	199472	Crossmember
176	400776	Screw 10-24 x 5/8 Wshd Qdrx
177	195228	Bushing Steering
180	194260	Chassis
181	193102X428	Bushing Mtg. Fender Crgo.
182	407176	Dash Lower
183	74780520	Bolt Fin Hex 5/16-18 x 1-1/4
189	17000512	Screw 5/16-18 x 3/4
191	416502	Insert Reflective RH
194	73900500	Nut Lock Hex Flange 5/16-18
196	414579	Console Asm. Deck Lift
202	423173	Vent Hood Side Panel RH
203	423172	Vent Hood Side Panel LH
217	409167	Rod Pivot Hood
225	400549X613	Bumper
228	195161	Stud Fastener
235	406129	Spacer Fender
236	73930500	Nut Center Lock 5/16-18
237	403704	Plug Mount Cargo
287	17600406	Screw 1/4-20 x 3/8
297	401827	Insert Reflective LH

NOTE: All component dimensions given in U.S. inches.
1 inch = 25.4 mm.

REPAIR PARTS

TRACTOR- -MODEL NO. 917.253630

DRIVE



drive-tex_peerless_fender_18

REPAIR PARTS

TRACTOR- -MODEL NO. 917.253630

DRIVE

KEY NO.	PART NO.	DESCRIPTION	KEY NO.	PART NO.	DESCRIPTION
1	-----	Transaxle, Peerless 206-565	165	196212	Busing Shaft Brake Hand Control
2	123583X	Key Square	166	197290	Nut Push .625
15	19131316	Washer 13/32 x 13/16 x 16 Ga.	167	405257	Latch Brake Parking
17	197297	Spring, Brake	172	197657	Strap Torque LH
22	197660	Rod Shift	174	197289	Nut Push
23	106933X	Knob	175	197858	Shaft Asm Shift
26	197455	Spring Brake RTN	176	196214	Arm Clevis Rod Shift
29	197267	Rod, Brake	178	197456	Spring Shift
33	12000001	Ring E	183	137057	Spacer, Axle
35	401031	Rod, Brake, Park	184	199996X505	Handle Parking Brake
37	121749X	Washer 25/32 x 1-1/4 x 16 Ga.	185	72110622	Bolt
42	8883R	Cover, Foot Pedal	186	194321	Spacer Retainer
49	72110614	Bolt	187	19133210	Washer
50	194327	Pulley Idler Flat	188	194323	Link Clutch Ground Drive
51	73900600	Lock Nut 3/8-16	189	194317	Bellcrank Ground Drive
52	194326	Idler V-Groove	190	194318	Keeper Bellcrank Ground Drive
56	194346	V-Belt, Drive	192	150360	Nut Lock Center 1/4-28
61	123666X	Pulley Transaxle	193	17060512	Screw 5/16-18 x 3/4
64	196200	Shaft Asm. Pedal Brake Control	195	197332	Bracket Brake Rod
70	193225X428	Console	202	197859	Link Shift
73	74490544	Bolt 5/16-18 Gr. 5	203	19111116	Washer 11/32 x 11/16 x 16 Ga.
74	142432	Screw 1/4 x 1/2	205	121748X	Washer 25/32 x 1-5/8 x 16 Ga.
116	73900500	Nut Lock Hex Flange 5/16-18	221	403187	Retainer Spring Clip Handle
125	17000512	Screw 5/16-18 x 3/4	232	74780716	Bolt 7/16-14 x 1 Gr. 5
134	197857	Arm Shift	233	405296	Washer Serrated
139	74550412	Bolt 1/4-20 unf Gr. 8 w/Patch	263	17000612	Screw Hexwsh Thdr 3/8-16 x 3/4
140	10040400	Washer Lock Hvy Helical 1/4	268	19131614	Washer 13/32 x 1 x 14 Ga.
141	19091210	Washer 9/32 x 3/4 x 10 Ga.	275	182402	Guard Muffler
155	12000028	Ring Retainer			
157	105701X	Washer Plate Shf			
158	194352	Keeper T/A			
159	76020412	Pin Cotter 1/8 x 3/4			
160	169484	Retainer Clip			
161	105709X	Spring, Return, Clutch			

NOTE: All component dimensions given in U.S. inches
1 inch = 25.4 mm

REPAIR PARTS

TRACTOR- -MODEL NO. 917.253630

STEERING ASSEMBLY

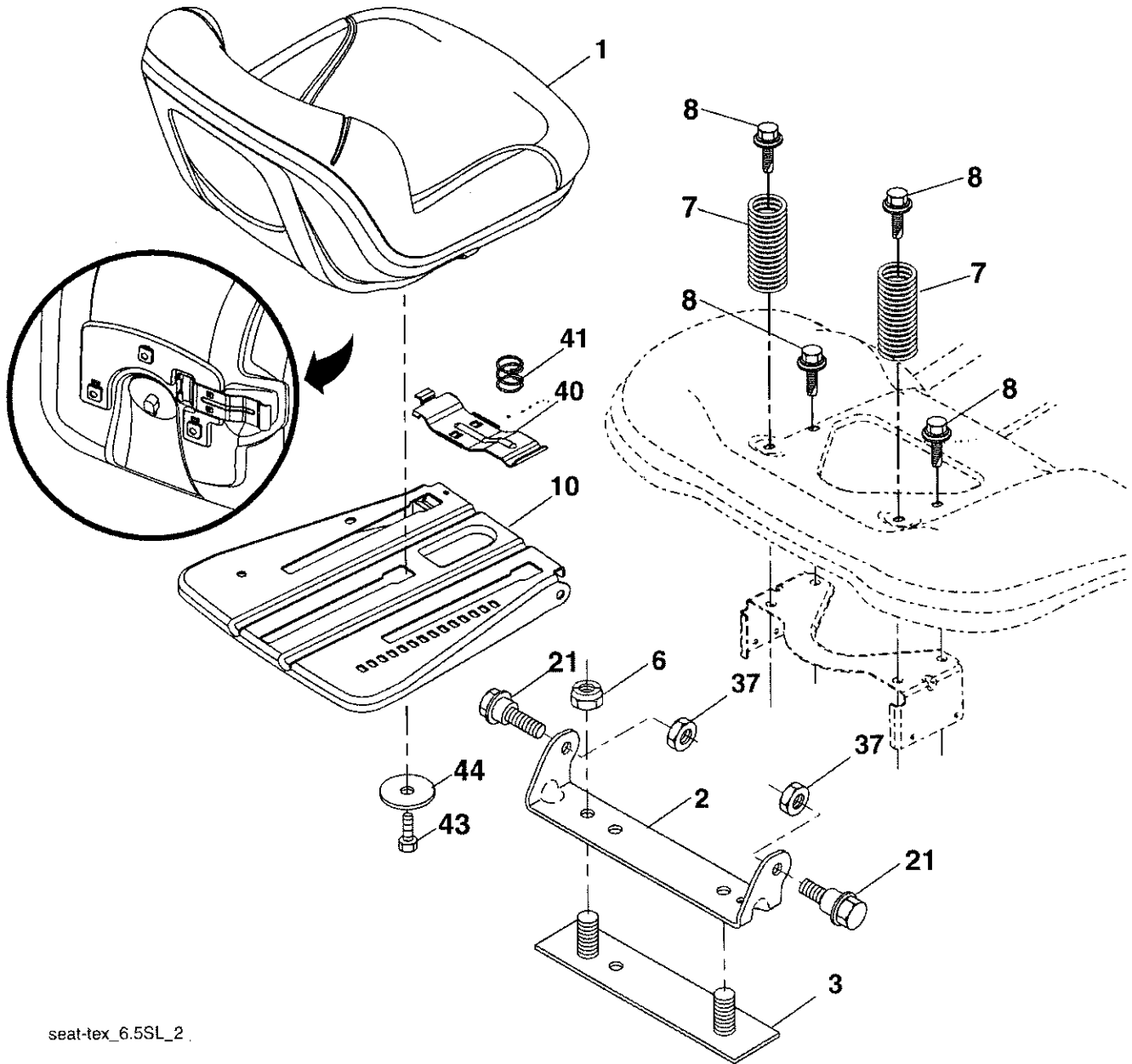
KEY NO.	PART NO.	DESCRIPTION
1	414803X428	Wheel, Steering
2	418168	Axle Asm., Front
4	403087	Spindle Asm., LH
5	403088	Spindle Asm., RH
6	6266H	Washer Thrust 0.75 x 1.23
7	121748X	Washer 25/32 x 1-5/8 x 16 Ga.
8	1200029	Ring, Clip #T5304-75
9	121232X	Cap, Spindle
13	121749X	Washer 25/32 x 1-1/4 x 16 Ga.
14	10040600	Washer Lock 3/8
15	73540600	Nut, Crown Lock 3/8-24 unf
16	196074	Shaft Steering
19	194729	Plate Steering
20	400803X428	Boot, Steering
21	186737	Adapter, Wheel Steering
22	194845	Bushing, Strg. Blk
26	414852X428	Insert, Wheel Steering
28	17000612	Screw 3/8-16 x 3/4
33	10040500	Washer Lock 5/16
35	194732	Gear, Sector Plate
45	19113812	Washer 11/32 x 2-3/8 x 12 Ga.
50	73900600	Nut Lock Flg 3/8-16 unc
53	188967	Washer Hardened .793 x 1.637 x .060
54	74760636	Bolt Hex HS 3/8-16 unc x 2-1/4
55	414736	Spacer Brace Axle
57	407465	Bracket Upstop
58	194747	Bolt Shoulder Sector Pivot CFM
59	194748	Washer Thrust Sector Steering
60	73971000	Nut Flange Lock 5/8-11
61	194740	Draglink, LH
62	194741	Draglink, RH
63	17000512	Screw 5/16-18 x 3/4
64	199849	Retainer Clip Spring Steering
65	194734	Brace Axle Front
66	71020748	Bolt Hex Fghd 7/16-14 x 3 Serr
67	194737	Bushing PM Front Axle
68	73900700	Nut Lock Flange 7/16-14 Gr. 5
69	199162	Washer 1.5 x .505 x .118
70	196197	Bracket Deck Susp. Front
71	196075	Shaft Ext. Steering
72	74780572	Bolt 5/16-18 x 4.5 Gr. 5
74	3366R	Bearing
78	57079	Washer Thrust

NOTE: All component dimensions given in U.S. inches.
1 inch = 25.4 mm.

REPAIR PARTS

TRACTOR- -MODEL NO. 917.253630

SEAT ASSEMBLY



seat-tex_6.5SL_2

KEY NO.	PART NO.	DESCRIPTION
1	423644	Seat
2	180166	Bracket Pivot Fender
3	140675	Strap, Asm Fender
6	73800600	Nut, Lock w/Ins. 3/8-16 unc
7	124181X	Spring, Seat Cprsn
8	171877	Bolt 5/16-18 unc x 3/4 w/Sems
10	196977	Pan, Seat
21	171852	Bolt, Shoulder 5/16-18

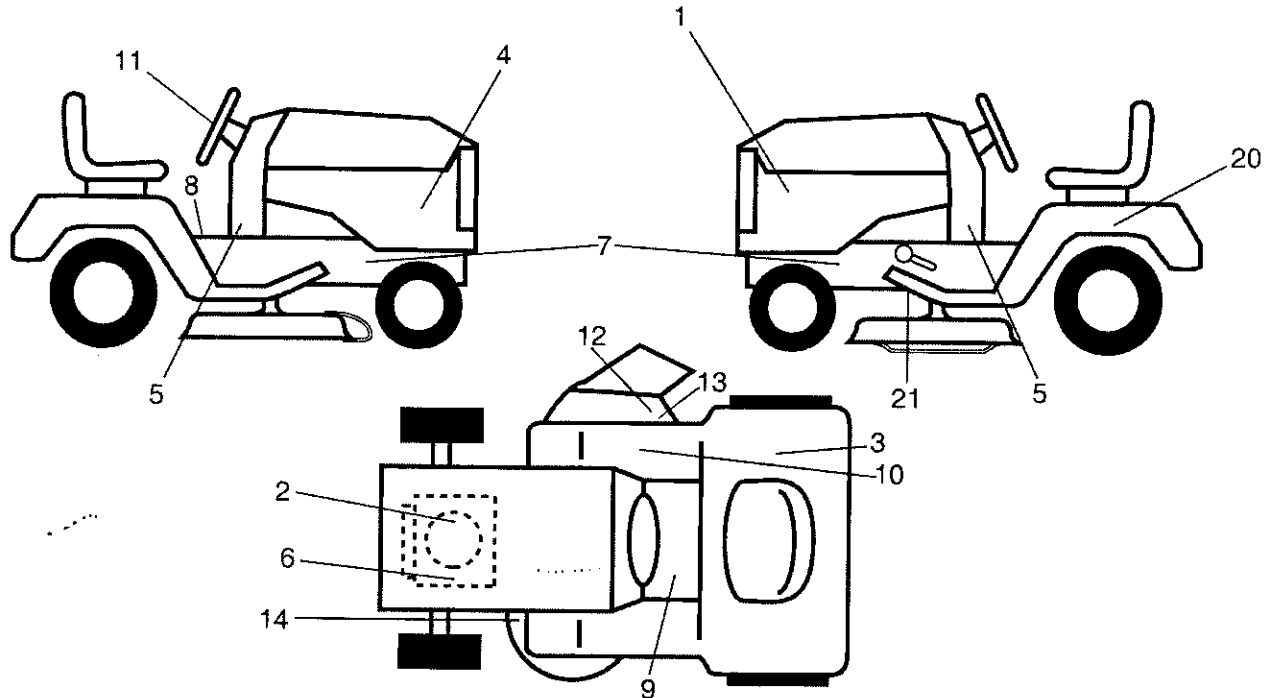
KEY NO.	PART NO.	DESCRIPTION
37	73800500	Nut, Lock 5/16-18 unc
40	197661	Handle Slide
41	198200	Spring Latch
43	74760612	Bolt 3/8-16 unc x 3/4
44	19133812	Washer 13/32 x 2 3/8 x 12 Ga.

NOTE: All component dimensions given in U.S. inches.
1 inch = 25.4 mm

REPAIR PARTS

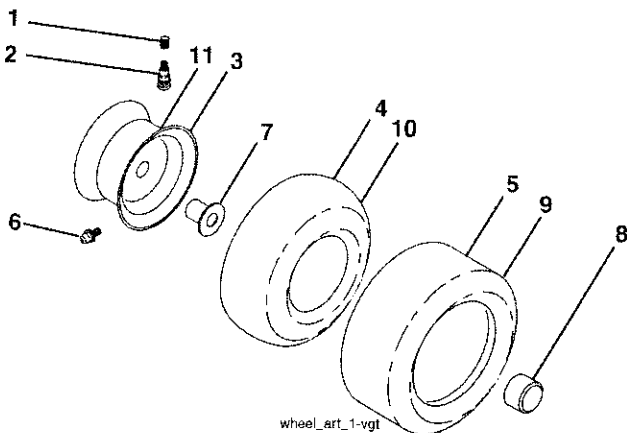
TRACTOR- -MODEL NO. 917.253630

DECALS



KEY NO.	PART NO.	DESCRIPTION	KEY NO.	PART NO.	DESCRIPTION
1	422865	Decal Side Panel Logo	13	196357	Decal Deflect. Warn. Cutfng. Sym.
2	416731	Decal Eng. H.P.	14	194302	Decal V-Belt Schematic
3	180432	Decal Fender 100 DB/CE	20	145005	Decal Bat Dan/Psn
4	422863	Decal Side Panel Logo RH	21	199096	Decal V-Belt Sch.
5	425634	Decal Lwr Dash	--	162598	Decal Drawbar Load Limit
6	196841	Decal Warning Engine Symbols	--	193226X428	Pad Footrest LH
7	159736	Decal Chassis Hot Muffler	--	193227X428	Pad Footrest RH
8	400389	Decal Fender Warn	--	426950	Manual Operator's (Euro)
9	159737	Decal Brake/Clutch Symbols	--	426951	Manual Operator's (Scand)
10	140837	Decal Saddle Brake Parking	--	426952	Manual Operator's (Ebloc)
11	422885	Decal Ins Strg Whl	--	426953	Manual Operator's (Baltic)
12	182166	Decal Cutfinger CE	--	426954	Manual Parts

WHEELS & TIRES



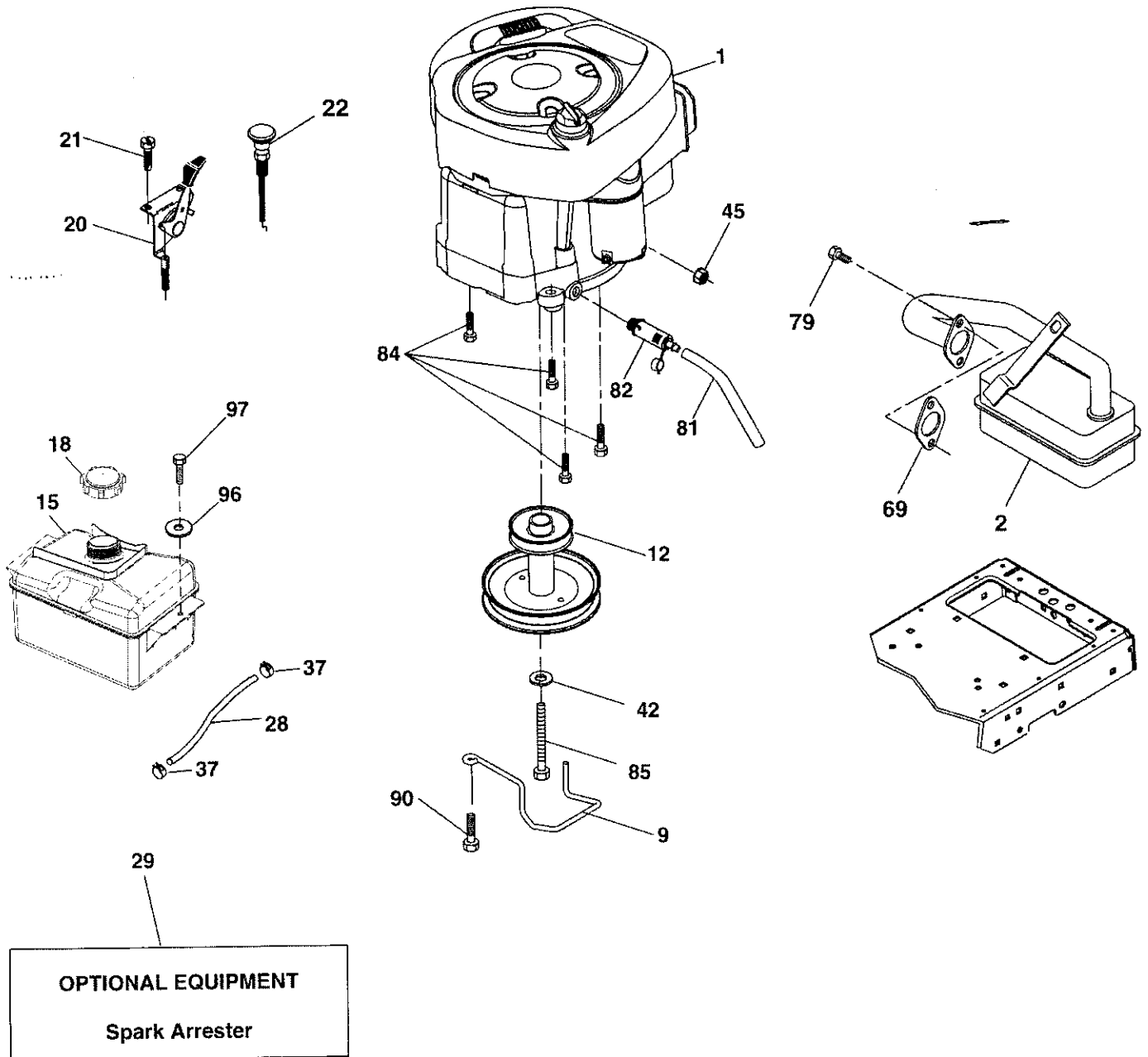
KEY NO.	PART NO.	DESCRIPTION
1	59192	Cap Valve Tire
2	65139	Stem Valve
3	106732X613	Rim Asm 6" Front
4	59904	Tube Front (Service Item Only)
5	106222X	Tire F T 15 x 6 0 - 6
6	278H	Fitting Grease (Front Wheel Only)
7	9040H	Bearing Flange (Front Wheel Only)
8	104757X428	Cap Axle Blk 1 50 x 1 00
9	420531	Tire R T 18 x 9.5-8C
10	7152J	Tube Rear (Service Item Only)
11	106108X613	Rim Asm 8" Rear Service
--	144334	Sealant, Tire (10 oz. Tube)

NOTE: All component dimensions given in U.S. inches
1 inch = 25.4 mm

REPAIR PARTS

TRACTOR- -MODEL NO. 917.253630

ENGINE



engine-tex_BS_5

REPAIR PARTS

TRACTOR- -MODEL NO. 917.253630

ENGINE

KEY NO.	PART NO.	DESCRIPTION
1	-----	Engine B&S Model No. 31C707-0240-B1
2	137352	Muffler
9	194319	Keeper Belt Engine
12	401985	Pulley Engine
15	407545	Tank Fuel 1.50
18	425162	Cap Asm
20	176636X428	Control Throttle
21	416358	Screw #10 x 0.750
22	187771X428	Control Choke
28	137040	Fuel Line
29	137180	Spark Arrester Kit
37	123487X	Clamp Hose
42	10040700	Washer Lock 7/16
45	73510400	Nut Keps Hex 1/4-20 unc
69	165291	Gasket
79	192334	Screw Socket Hd 5/16-18 x .75
81	148456	Tube Drain Oil Easy
82	181654	Plug Drain Oil
84	17060620	Screw 3/8-16 x 1-1/4
85	173937	Bolt Hex 7/16-20 x 4 x Gr. 5-1.5
90	17000616	Screw 3/8-16 x 1.0
96	19091416	Washer 9/32 x 7/8 x 16 Ga.
97	17670412	Screw 1/4-20 x 3/4

NOTE: All component dimensions given in U.S. inches
1 inch = 25.4 mm

For engine service and replacement parts, call the toll free number for your engine manufacturer listed below:

Briggs & Stratton 1-800-233-3723

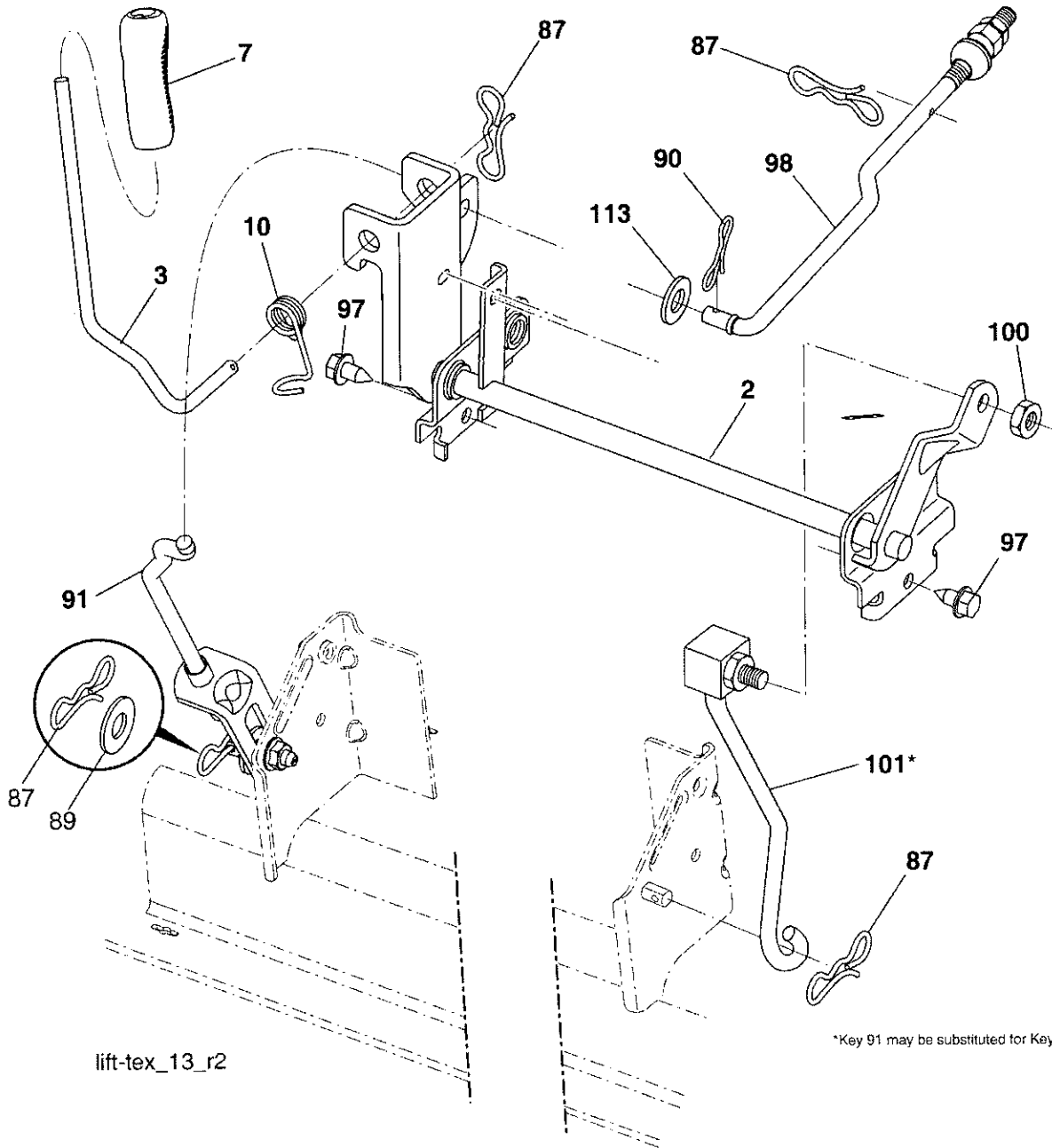
Engine Power Rating Information

The gross power rating for individual gas engine models is labeled in accordance with SAE (Society of Automotive Engineers) code J11940 (Small Engine Power & Torque Rating Procedure), and rating performance has been obtained and corrected in accordance with SAE J1995 (Revision 2002-5). Actual gross engine power will be lower and is affected by, among other things, ambient operating conditions and engine-to-engine variability. Given both the wide array of products on which engines are placed and the variety of environmental issues applicable to operating the equipment, the gas engine will not develop the rated gross power when used in a given piece of power equipment (actual "on-site" or net horsepower). This difference is due to a variety of factors including, but not limited to, accessories (air cleaner, exhaust, charging, cooling, carburetor, fuel pump, etc.), application limitations, ambient operating conditions (temperature, humidity, altitude), and engine-to-engine variability. Due to manufacturing and capacity limitations, Briggs & Stratton may substitute an engine of higher rated power for this Series engine.

REPAIR PARTS

TRACTOR- -MODEL NO. 917.253630

MOWER LIFT



lift-tex_13_r2

REPAIR PARTS

TRACTOR- -MODEL NO. 917.253630

MOWER LIFT

KEY NO.	PART NO.	DESCRIPTION
2	195223	Shaft Asm., Lift
3	195231	Lever Asm., Lift RH
7	196492X428	Grip, Lever
10	196314	Spring Torsion
87	194209	Pin Cotter 7/16 Bow Tie Lock
89	19191912	Washer Clear Zinc
90	194208	Pin Cotter 5/16 Bow Tie Lock
91	195181	Link Lift Susp Mower Rear
97	17000612	Screw 3/8-16 x .75
98	195270	Link Lift Susp. Front Mower
100	73930600	Nut Centerlock 3/8-16 unc
101	407003	Link Asm. Lift FXD
113	19171912	Washer 17/32 X 1-3/16 X 12 Ga.

NOTE: All component dimensions given in U.S. inches
1 inch = 25.4 mm

REPAIR PARTS

TRACTOR- -MODEL NO. 917.253630

MOWER

KEY NO.	PART NO.	DESCRIPTION	KEY NO.	PART NO.	DESCRIPTION
1	194251	Mower Housing	60	199471	Arm Brake Mower
6	195186	Arm Suspension	63	199470	Arm Brake Mower
7	416358	Screw 10 x .750 BOS Thread	64	199790	Linkage Brake
8	193003	Bolt/Washer Asm 7/16-20 unf	67	198398X428	Handle, Clutch Cable
11	193957	Blade 3 in 1	68	408381	V-Belt
13	192872	Shaft Assembly, Mandrel	69	72140505	Bolt Rdhd Sqnk 5/16-18 x 5/8
14	187281	Housing, Mandrel	70	401246	Clutch Asm. Manual
15	110485X	Bearing, Ball, Mandrel	101	193215	Cover Asm. Mulching 38"
19	196539	Bolt, Shoulder	122	197258	Keeper Belt Eng. LH
21	73680500	Nut, Crownlock 5/16-18 unc	123	197259	Keeper Belt Eng. RH
23	192557	Bracket, Deflector	144	193414	Keeper Belt
24	105304X	Cap, Sleeve	145	193197	Pulley, Idler, Flat
25	197026	Spring, Torsion, Deflector	147	401872	Spring Return
26	110452X	Nut, Push	152	408714	Cable Clutch Manual w/Spr.
27	199445X428	Shield, Deflector	188	195161	Stud Fastener
29	131491	Rod, Hinge	189	73900500	Nut Lock Hex Flange
30	173984	Screw Thdrol Rolling Wsh Hd	195	17000612	Screw Hexwsh Thdr 3/8-16 x 3/4
31	187690	Washer, Spacer	199	400095	Baffle, Vortex
32	199789	Pulley, Mandrel	209	19133210	Washer 13/32 x 2 x 10 Ga.
33	400234	Nut, Toplock, Flanged	--	192870	Mandrel Assembly (Mandrel Assembly (Includes housing, shaft assembly, and bearing only - pulley/nut/washer and blade bolt/washers not included)
34	72110612	Bolt Carr Sh. 3/8-16 x 1-1/2 Gr. 5	--	400422	Replacement Mower, Complete
37	19131316	Washer 13/32 x 13/16 x 16 Ga.			
38	199541	Keeper Belt LH Mandrel			
40	73900600	Nut, Lock Flg. 3/8-16 unc			
42	198410	Spring Torsion Brake			
43	197256	Spring Torsion Retainer			
46	137729	Screw Thd Roll 1/4-20 x 5/8			
55	197249	Arm, Idler			
56	199092	Spacer, Retainer			
57	17000616	Screw Hexwsh Thd 3/8-16 x 1			
59	141043	Guard, Tuv Idler (94)			

NOTE: All component dimensions given in U.S. inches
1 inch = 25.4 mm