

REPAIR PARTS MANUAL
MODEL NO. 253260
Garden Tractor

CRAFTSMAN®

HOW TO USE THIS MANUAL

This manual is designed to provide the customer with a means to identify the parts on his/her tractor when ordering repair parts. The illustrations may or may not represent the actual assemblies; therefore, it is not recommended to use this manual as a guide to assemble or disassemble the tractor. Some hardware and parts are drawn larger in order to more readily identify them.

Each tractor has its own model number.

The model number for your tractor can be found on the fender under the seat.

When ordering parts, always give the following information:

- Product - Lawn Tractor
- MODEL NUMBER - **253260**
- Part Number
- Part Description

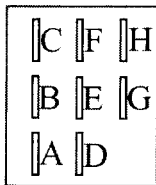
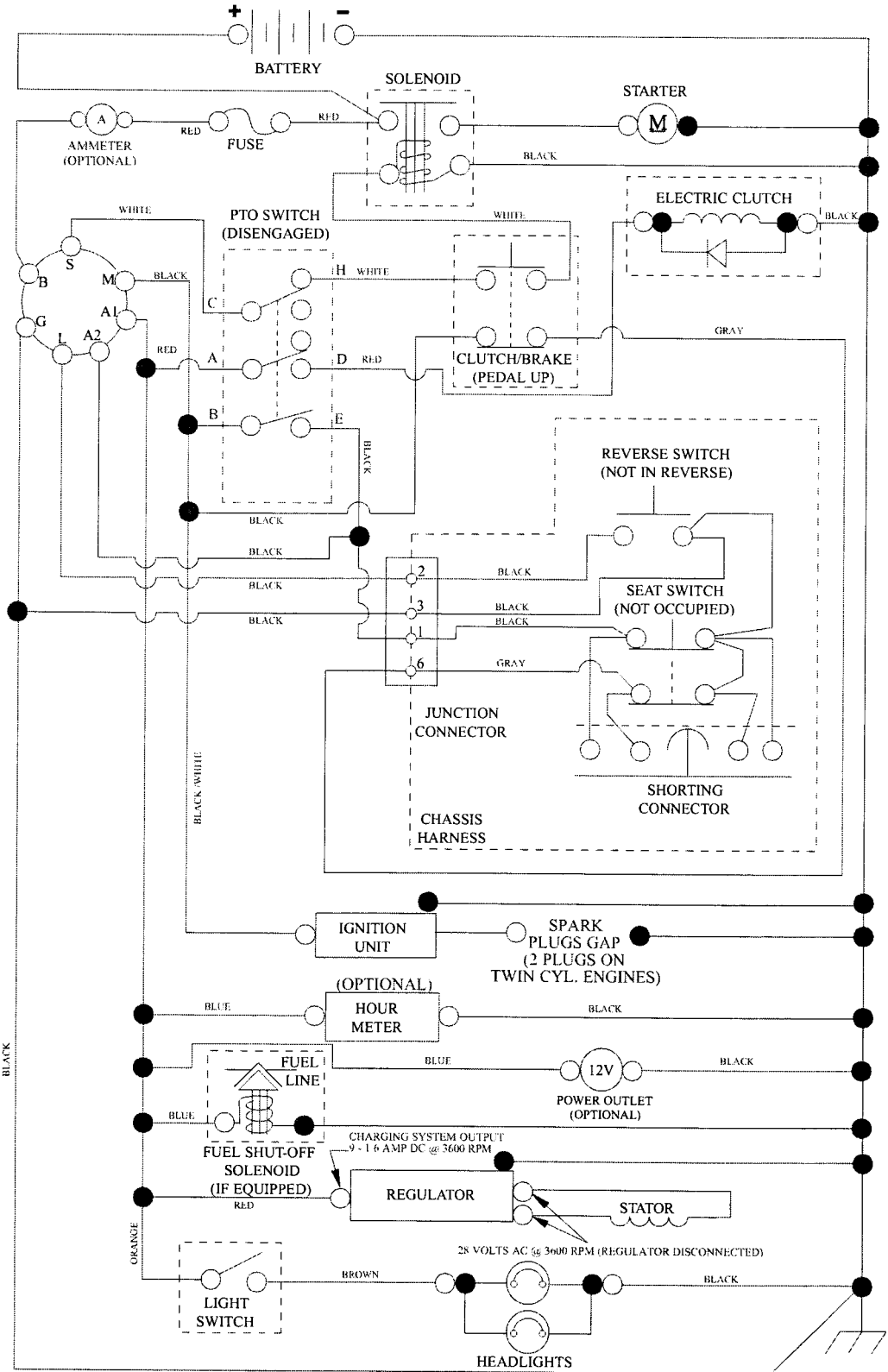
TABLE OF CONTENTS

SCHEMATIC	3
ELECTRICAL.....	4-5
CHASSIS	6-7
DRIVE.....	8-9
ENGINE.....	10-11
STEERING	12
SEAT	13
MOWER DECK	14-15
MOWER LIFT.....	16
DECALS.....	17
TRANSAXLE BREAKDOWN	18-19
ENGINE BREAKDOWN.....	20-25
WARRANTY	BACK COVER

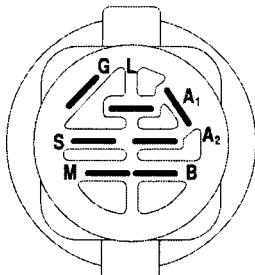
TRACTOR - - MODEL NUMBER 917.253260

SCHEMATIC

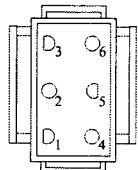
SCH12



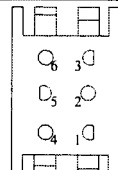
PTO SWITCH (MATING SIDE)



POSITION	CIRCUIT	"MAKE"
OFF	M+G+A1	
RUN/OVERRIDE	B+A1	
RUN	B+A1	L+A2
START	B+S+A1	



CHASSIS HARNESS CONNECTOR (MATING SIDE)



DASH HARNESS CONNECTOR

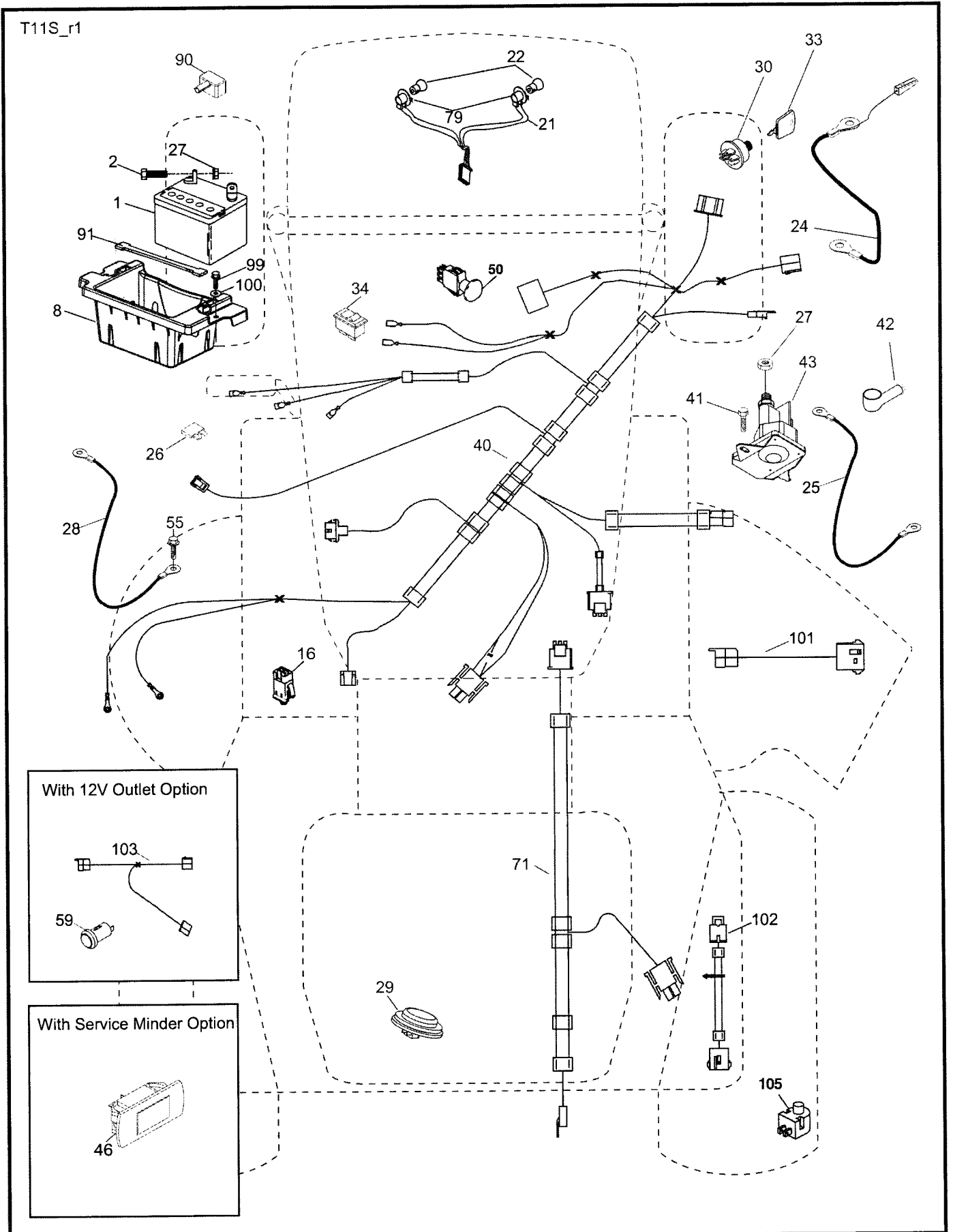
WIRING INSULATED CLIPS
NOTE: IF WIRING INSULATED CLIPS WERE REMOVED FOR SERVICING OF UNIT, THEY SHOULD BE RE-INSTALLED TO PROPERLY SECURE YOUR WIRING.

NON-REMOVABLE CONNECTIONS

REMOVABLE CONNECTIONS

TRACTOR - - MODEL NUMBER 917.253260

ELECTRICAL



ELECTRICAL

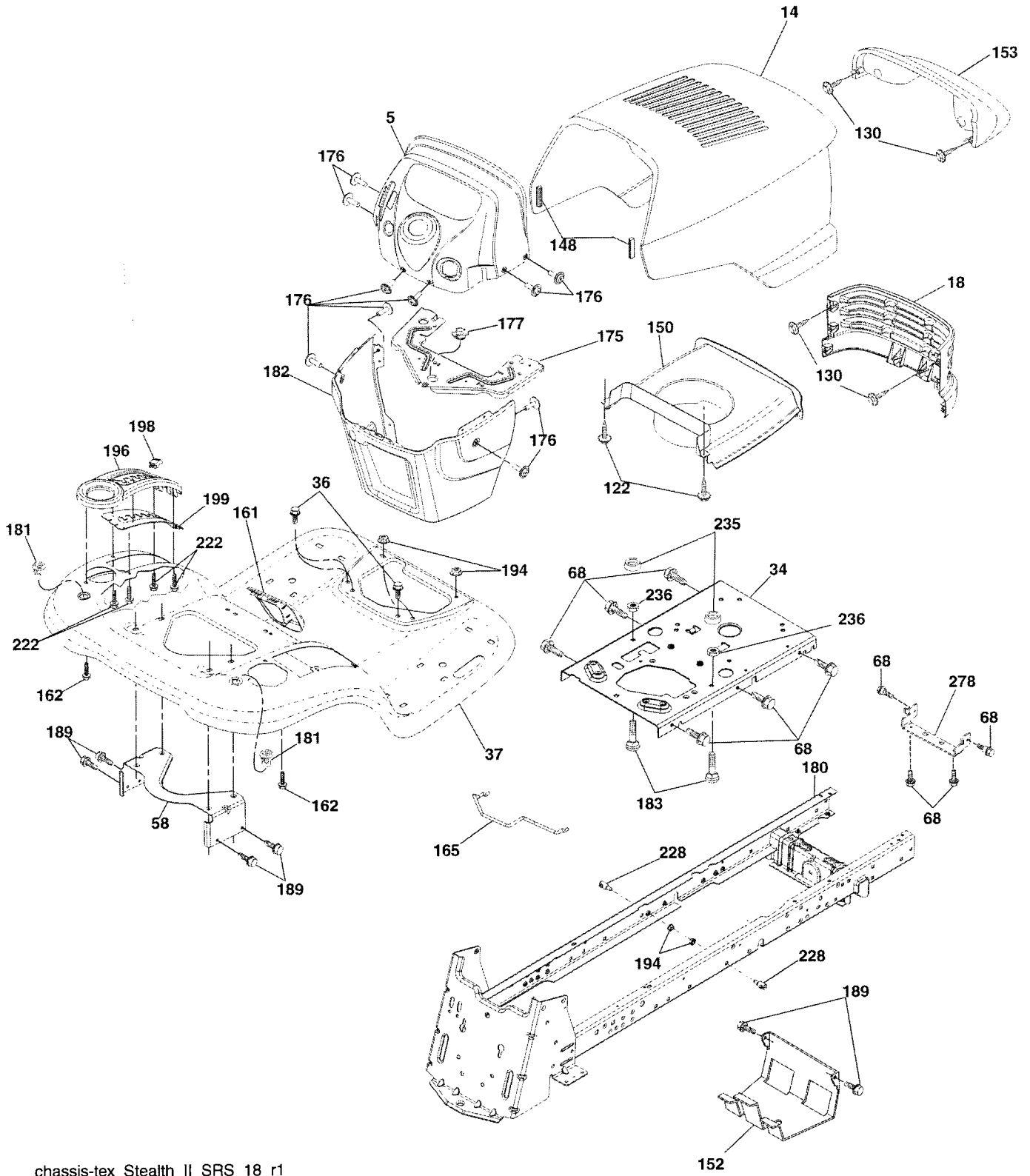
TRACTOR - - MODEL NUMBER 917.253260

KEY NO.	PART NO.	DESCRIPTION
1	144927	Battery
2	74760412	Bolt Hex Head 1/4-20 x 3/4
8	186491	Box Battery
16	176138	Switch Interlock Push-In
21	175688	Harness Socket Light w/4152J
22	4152J	Bulb Light
24	400253	Cable Battery
25	412895	Cable Start Red 17.5"
26	175158	Fuse
27	73510400	Nut Keps Hex 1/4-20 unc
28	145491	Cable, Ground
29	401545	Switch, Seat
30	193350	Switch, Ignition
33	411934	Key/Chain
34	110712X	Switch Light/Reset
40	401104	Harness Ign. Dash
41	17720408	Screw 1/4-20 x 1/2
42	131563	Cover, Terminal
43	192507	Solenoid
46	413931	Gauge Hourmeter
50	174652	Switch, PTO
55	17060512	Screw Thdrol 5/16-18 x 3/4
59	400303	Outlet 12-Volt
71	194276	Harness Ignition
79	175242	Bulbholder Asm. Incandescent
90	400724	Cover Terminal Battery
91	190270	Strap Battery Mount Front
99	17670412	Screw Hexwsh Thdrol 1/4-20 x 3/4
100	19091416	Washer 9/32 x 7/8 x 16 Ga.
101	198317	Pigtail
102	404454	Harness, Pigtail K46
103	407962	Harness, Pigtail 12V Outlet
105	407568	Switch Reverse TT Pedal Control

NOTE: All component dimensions given in U.S. inches
1 inch = 25.4 mm

TRACTOR - - MODEL NUMBER 917.253260

CHASSIS ASSEMBLY



chassis-tex_Stealth_II_SRS_18_r1

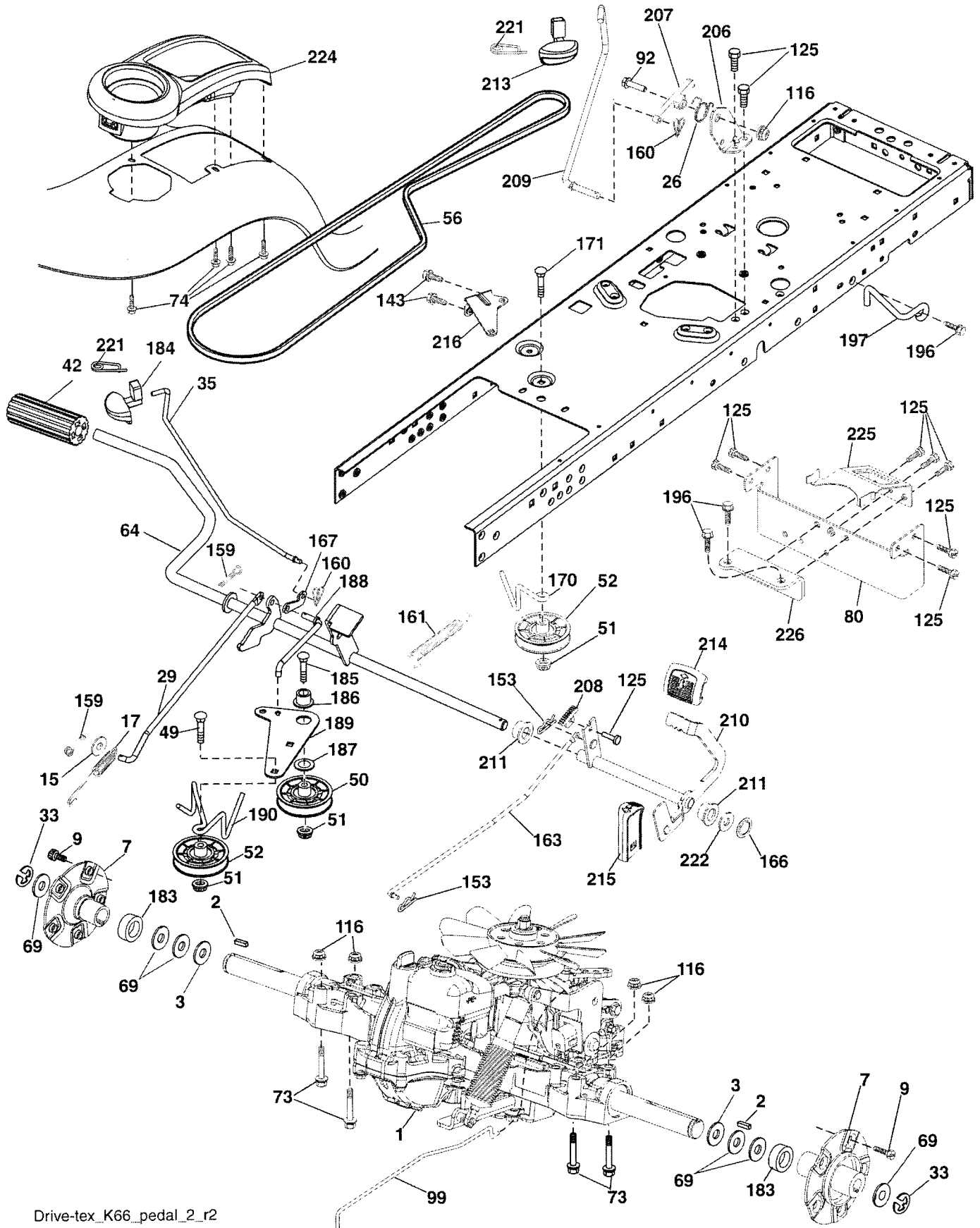
TRACTOR -- MODEL NUMBER 917.253260
CHASSIS ASSEMBLY

KEY NO.	PART NO.	DESCRIPTION
5	195102X428	Dash
14	175260X428	Hood
18	174515X428	Grille
34	196125	Plate Engine
36	17060512	Screw 5/16-18 x 3/4
37	400009X428	Fender
58	194314	Large Support Fender
68	17490508	Screw 5/16-18 x 1/2
122	192512	Screw 10-32 x 5/8
130	416358	Screw 10 x .750 BOS Thread
148	164655	Bumper Extrusion
150	175352	Air Duct
152	199535	Shield Browning
153	161840	Lens Bar
161	193097X428	Window Fuel
162	142432	Screw
165	196826	Support Tank Rear
175	193236	Crossmember
176	400776	Screw 10-24 x 5/8
177	195227	Bushing Steering
180	195477	Chassis
181	193102X428	Bushing Mtg. Fender Crgo
182	192551	Dash Lower
183	74780520	Bolt Fin Hex 5/16-18 unc x 1-1/4
189	17000512	Screw 5/16-18 x 3/4
194	73900500	Nut Lock Hex Flange 5/16-18
196	196379X428	Console Asm. Deck Lift
198	197300X505	Indicator Deck Lift
199	196377	Plate Deck Lift
222	137729	Screw 1/4-20 x 5/8
228	195161	Stud Fastner
235	406129	Spacer Fender
236	73930500	Nut Lock 5/16-18 unc
278	196394	Bracket Hood

NOTE: All component dimensions given in U.S. inches
1 inch = 25.4 mm

TRACTOR - - MODEL NUMBER 917.253260

GROUND DRIVE



Drive-tex_K66_pedal_2_r2

TRACTOR - - MODEL NUMBER 917.253260

GROUND DRIVE

KEY NO.	PART NO.	DESCRIPTION	KEY NO.	PART NO.	DESCRIPTION
1	199973	Transaxle, TUFF TORQ K66	166	197290	Nut, Push
2	7070E	Key	167	405257	Latch Brake Parking
3	7563R	Hardened Washer	170	194322	Keeper Belt Centerspan
7	199837	Hub Asm. Wheel Rear	171	72110616	Bolt
9	140080	Bolt Hub Wheel Rear	183	197357	Spacer Split
15	19131316	Washer 13/32 x 13/16 x 16 Ga.	184	195361X505	Handle Parking Brake
17	401072	Spring, Brake	185	72110620	Bolt
26	199679	Spring Return Cruise	186	194321	Spacer Retainer
29	407245	Rod, Brake	187	19133210	Washer
33	12000053	Ring E	188	194323	Link Clutch Ground Drive
35	197275	Rod, Brake, Park	189	194317	Bellcrank Ground Drive
42	8883R	Cover, Foot Pedal	190	194318	Keeper Bellcrank Ground Drive
49	72110614	Bolt			
50	194327	Pulley Idler Flat	196	17000616	Screw 3/8-16 x 1
51	73900600	Lock Nut 3/8-16	197	199769	Link Clutch Anti Rotation
52	194326	Idler V-Groove 910" Offset	206	197867	Bracket Mount Latch Cruise
56	125907X	V-Belt, Drive	207	197868	Latch Control Cruise
64	197865	Shaft Asm. Pedal Brake Control	208	197869	Gear Sector Control Cruise
69	123800X	Washer 1 1/32 x 1 5/8 x 16 Ga.	209	199466	Rod Control Cruise
73	74490544	Bolt Hex Flghd 5/16-18 Gr. 5	210	197860	Rocker Asm. Pedal Control
74	142432	Screw Hex Wsh Hi-Lo 1/4 x 1/2 unc	211	120183X	Bearing, Nylon
80	407182	Strap Torque	213	195352X428	Knob Control Cruise
92	74760520	Bolt Fin Hex 5/16-18 unc x 1.25	214	197302X428	Pad Pedal Forward
99	415744	Rod Bypass	215	197301X428	Pad Pedal Reverse
116	73900500	Nut Lock Hex Flange 5/16-18	216	196131	Bracket Pulley Idler
125	17000512	Screw 5/16-18 x 3/4	221	403187	Retainer Spring Clip Handle
143	17490508	Screw 5/16-18 x 1/2	222	79212010	Washer
153	4497H	Retainer Spring	224	193099X428	Console Toolbox
159	76020412	Pin Cotter 1/8 x 3/4	225	407311	Keeper Belt Trans.
160	169484	Retainer Clip	226	407109	Bracket Mount Torque
161	105709X	Spring, Return, Clutch			
163	407246	Rod Pedal Control			

NOTE: All component dimensions given in U.S. inches
1 inch = 25.4 mm

TRACTOR - - MODEL NUMBER 917.253260

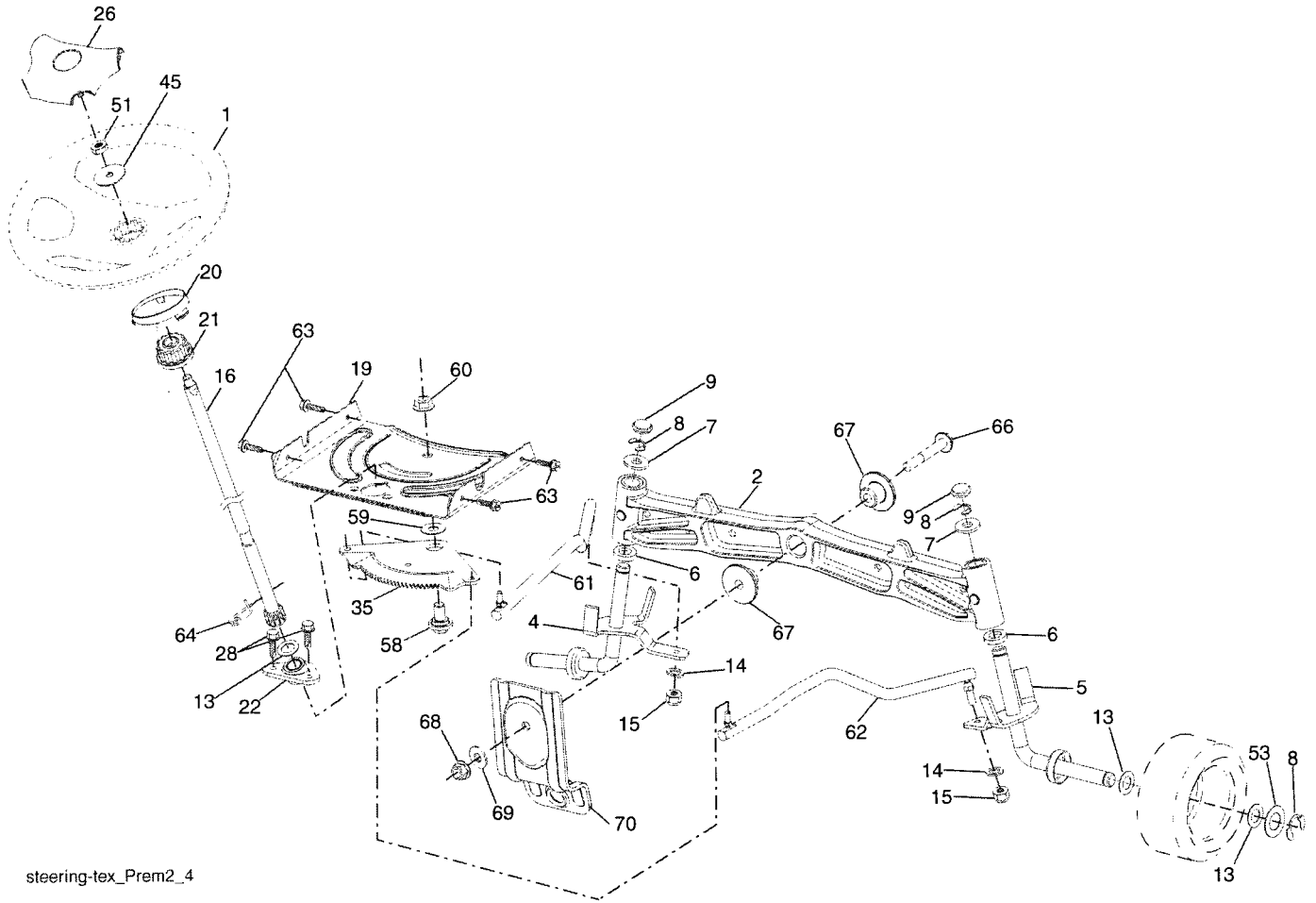
ENGINE

KEY NO.	PART NO.	DESCRIPTION
1	-----	Engine Kohler Model No. SV735-0019 (See Engine Breakdown)
2	149723	Muffler
9	194320	Keeper Asm. Belt Engine
11	179335	Clutch Electric
12	194343	Pulley Engine
15	193499	Tank Fuel 4.0
18	195951	Cap Asm
20	177328X505	Control Throttle
21	416358	Screw 10 x .750 BOS Thread
22	187767X505	Control Choke
28	8543R	Fuel Line
29	137180	Spark Arrester Kit
31	145006	Clip Push-In Hinged
37	123487X	Clamp Hose
41	126197X	Washer 1-1/2 OD x 15/32 ID x .250
42	10040700	Washer Lock 7/16
45	73510400	Nut Keps Hex 1/4-20 unc
62	146629	Shield Heat Muffler
69	-----	Gasket (Order from Eng. Mfgr.)
70	146699	Tube Exhaust LH
71	146700	Tube Exhaust RH
79	192334	Screw 5/16-18 x 3/4
81	148456	Tube Drain Oil Easy
82	181654	Plug Drain Oil
84	17120616	Screw 3/8-16 x 1
85	179953	Bolt Hex 7/16-20 x 3.75 Gr. 5
87	198239	Bolt 5/16-18 unc x 1 w/Sems
90	17000616	Screw 3/8-16 x 1
91	187495	Bushing

NOTE: All component dimensions given in U.S. inches
1 inch = 25.4 mm

TRACTOR - - MODEL NUMBER 917.253260

STEERING ASSEMBLY



steering-tex_Prem2_4

KEY NO.	PART NO.	DESCRIPTION	KEY NO.	PART NO.	DESCRIPTION
1	414851X428	Wheel, Steering	51	73940800	Nut Hex Jam Toplock 1/2-20 unf
2	195968	Axle Asm., Front	53	188967	Washer Hardened .793 x 1.637 x .060
4	403089	Spindle Asm., LH	57	197246	Bracket Upstop
5	403090	Spindle Asm., RH	58	194747	Bolt Shoulder Sector Pivot CFM
6	6266H	Bearing, Race Thrust Harden	59	194748	Washer Thrust Sector Steering
7	121748X	Washer 25/32 x 1-5/8 x 16 Ga.	60	73971000	Nut Flange Lock 5/8-11
8	1200029	Ring, Clip #T5304-75	61	194740	Draglink, LH
9	184946X505	Cap, Spindle	62	194741	Draglink, RH
13	121749X	Washer 25/32 x 1-1/4 x 16 Ga.	63	17000512	Screw 5/16-18 x 3/4
14	10040600	Washer, Lock Hvy Hlcl Spr 3/8	64	199849	Retainer Clip Spring Steering
15	73540600	Nut, Crown Lock 3/8-24 unf	66	71020748	Bolt Hex Fghd 7/16-14 x 3 Serr
16	194746	Shaft Steering	67	194737	Bushing PM Front Axle
19	194729	Plate Steering	68	73900700	Nut Lock Flange 7/16-14 Gr. 5
20	195626X428	Boot, Steering	69	199162	Washer 1.5 x .505 x .118
21	186737	Adapter, Wheel Steering	70	196197	Bracket Deck Susp. Front
22	194845	Bushing, Strg. Blk			
26	414852X428	Insert, Wheel Steering			
28	17000612	Screw 3/8-16 x 3/4			
35	194732	Gear, Sector Plate			
45	19183812	Washer 9/16 x 2-3/8 x 12 Ga.			

NOTE: All component dimensions given in U.S. inches
1 inch = 25.4 mm