

REPAIR PARTS MANUAL
MODEL NO. 253250
Lawn Tractor

CRAFTSMAN[®]

HOW TO USE THIS MANUAL

This manual is designed to provide the customer with a means to identify the parts on his/her tractor when ordering repair parts. The illustrations may or may not represent the actual assemblies; therefore, it is not recommended to use this manual as a guide to assemble or disassemble the tractor. Some hardware and parts are drawn larger in order to more readily identify them.

Each tractor has its own model number.

The model number for your tractor can be found on the fender under the seat.

When ordering parts, always give the following information:

- Product - Lawn Tractor
- MODEL NUMBER - **253250**
- Part Number
- Part Description

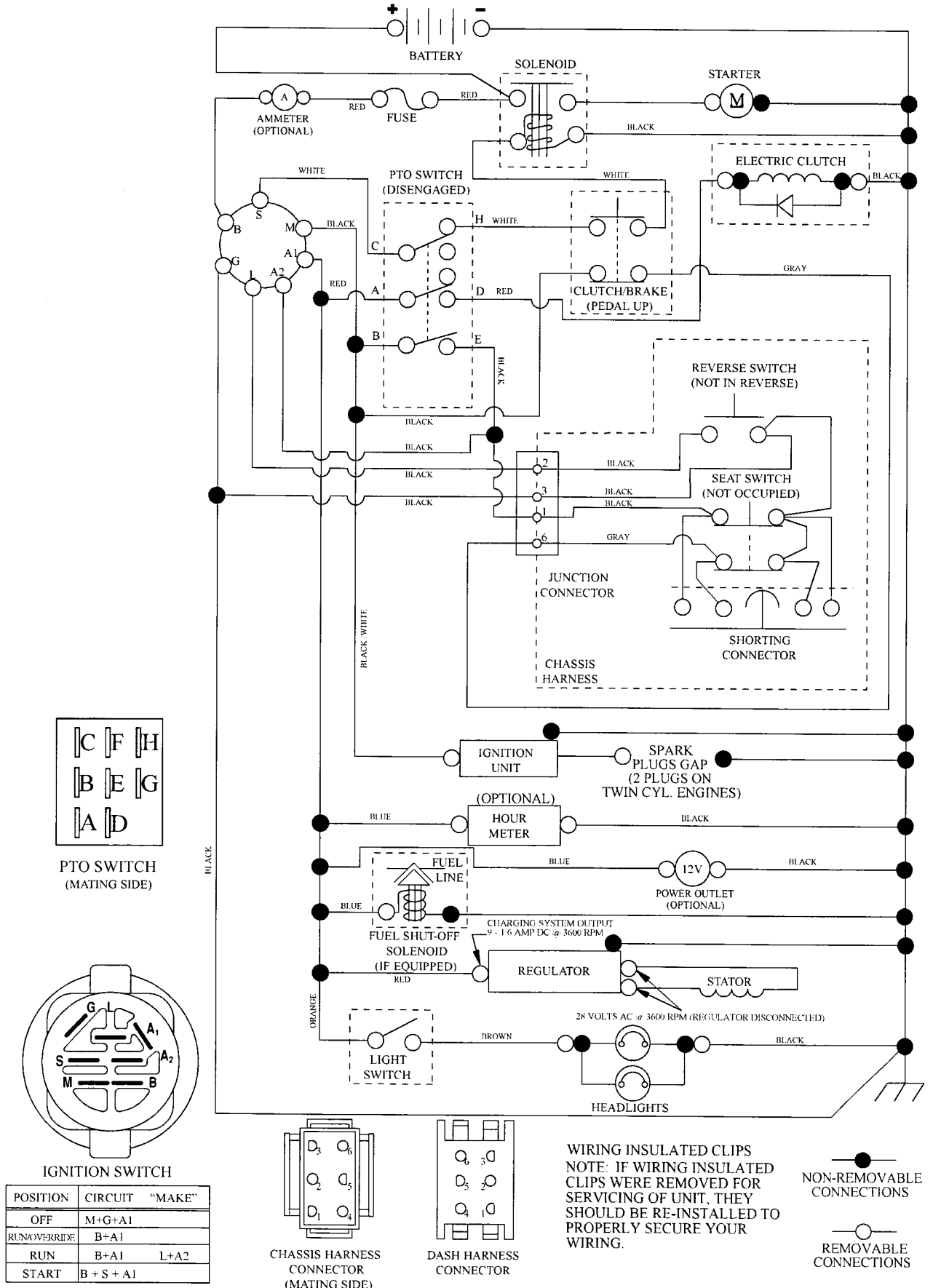
TABLE OF CONTENTS

SCHEMATIC	3
ELECTRICAL.....	4-5
CHASSIS	6-7
DRIVE.....	8-9
ENGINE.....	10-11
STEERING	12
SEAT	13
MOWER DECK	14-15
DECALS.....	16
MOWER LIFT.....	17
TRANSAXLE BREAKDOWN	18-19
ENGINE BREAKDOWN.....	20-24
WARRANTY.....	BACK COVER

TRACTOR - - MODEL NUMBER 917.253250

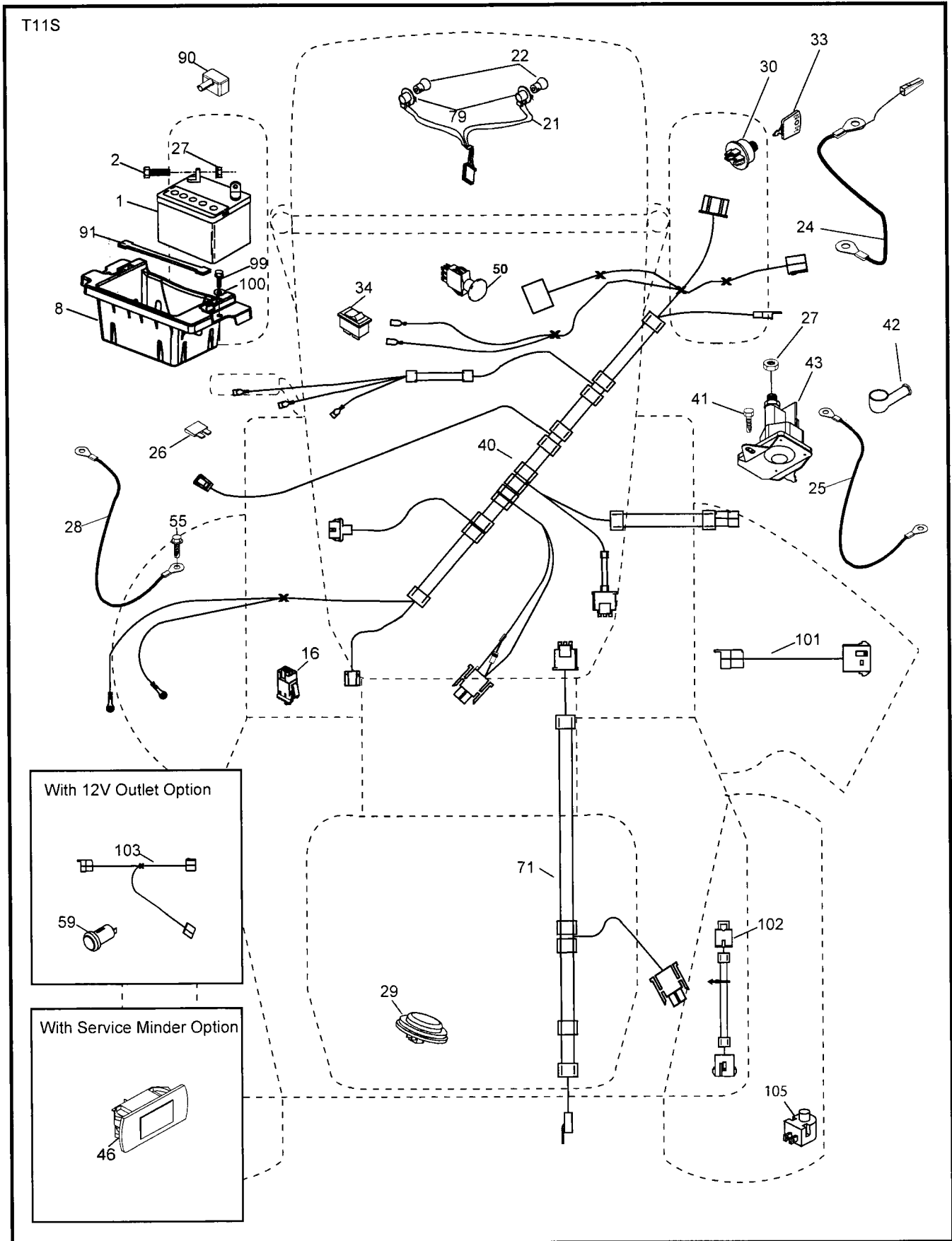
SCHEMATIC

SCH12



TRACTOR -- MODEL NUMBER 917.253250

ELECTRICAL



ELECTRICAL

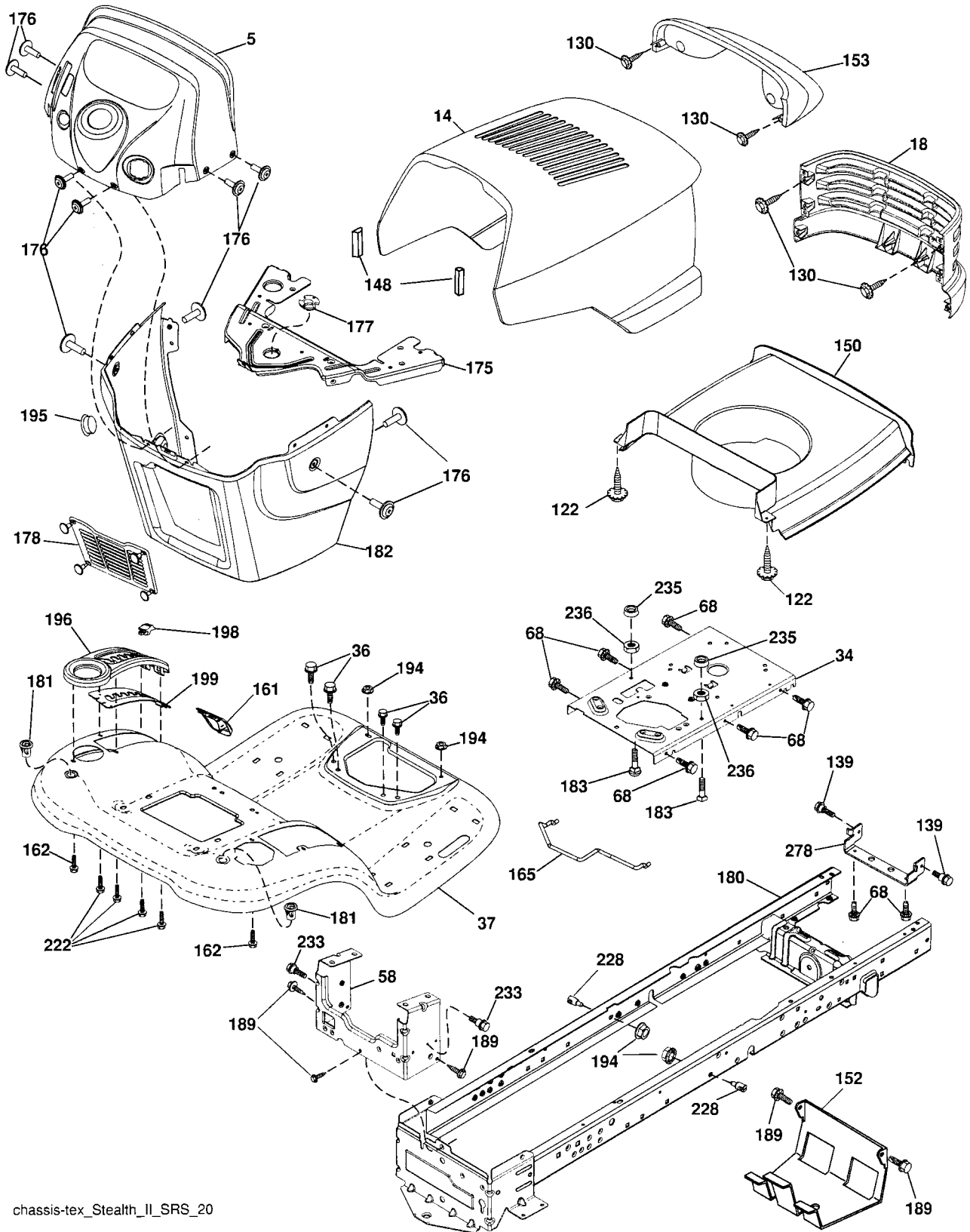
TRACTOR - - MODEL NUMBER 917.253250

KEY NO.	PART NO.	DESCRIPTION
1	144927	Battery
2	74760412	Bolt Hex Head 1/4-20 x 3/4
8	186491	Box Battery
16	176138	Switch Interlock Push-In
21	175688	Harness Socket Light w/4152J
22	4152J	Bulb Light
24	400253	Cable Battery
25	412895	Cable Starter
26	175158	Fuse
27	73510400	Nut Keps Hex 1/4-20 unc
28	145491	Cable, Ground
29	401545	Switch, Seat
30	193350	Switch, Ign
33	411934	Key/Chain
34	110712X	Switch Light/Reset
40	401104	Harness Ign. Dash
41	17720408	Screw Thd Cut 1/4-20 x 1/2
42	131563	Cover, Terminal
43	192507	Solenoid
46	413931	Gauge Hourmeter
50	174652	Switch, PTO
55	17060512	Screw 5/16-18 x 3/4
71	194276	Harness Ignition Chassis
79	175242	Bulbholder Asm. Incandescent
90	400724	Cover Terminal
91	190270	Strap Battery Mount Front
99	17670412	Screw Hexwsh Thdrol 1/4-20 x 3/4
100	19091416	Washer 9/32 x 7/8 x 16 Ga.
101	198317	Pigtail Matlink
102	404454	Harness Pigtail
105	407568	Switch Reverse TT Pedal Control

NOTE: All component dimensions given in U.S. inches
1 inch = 25.4 mm

TRACTOR - - MODEL NUMBER 917.253250

CHASSIS ASSEMBLY



chassis-tex_Stealth_II_SRS_20

CHASSIS ASSEMBLY

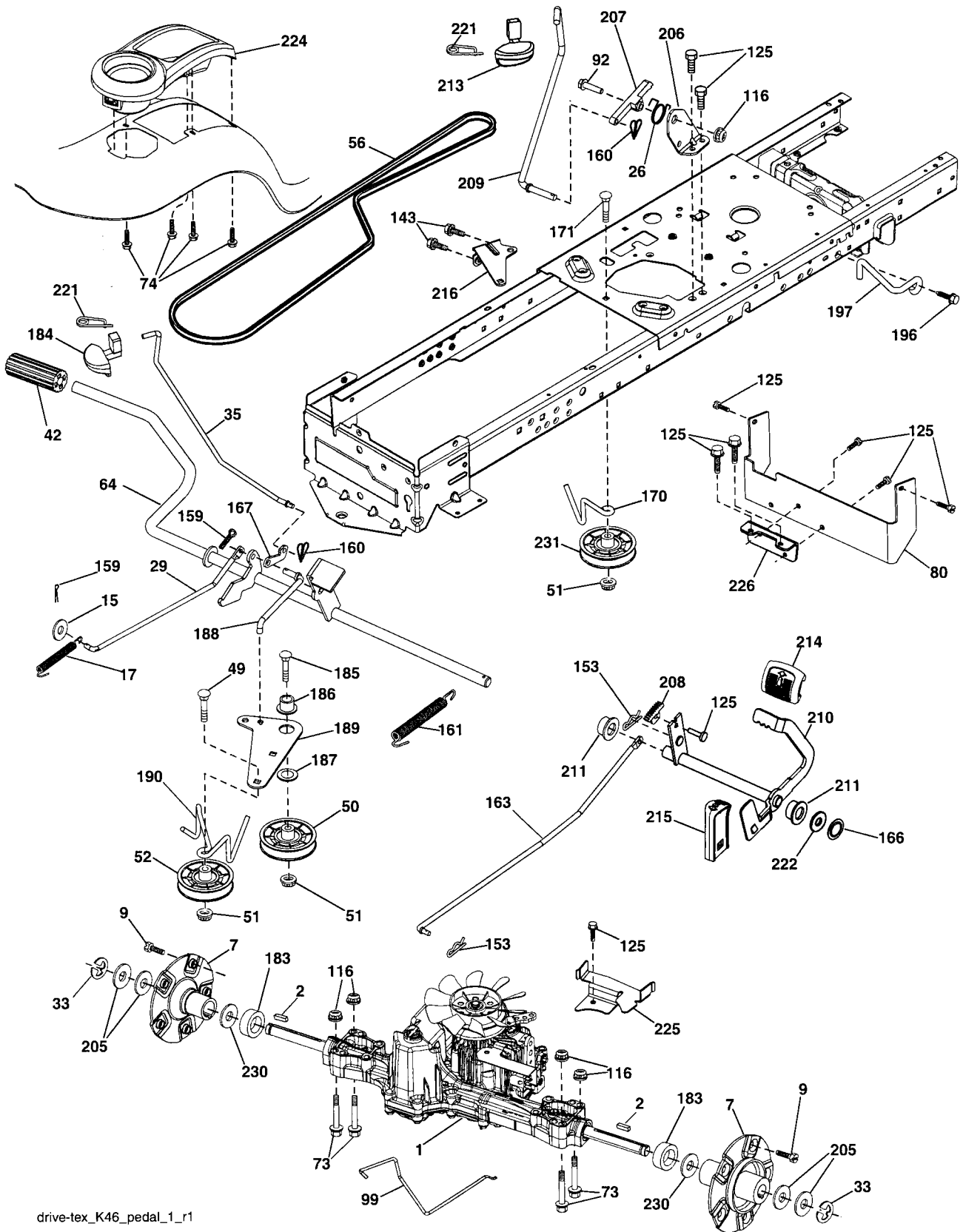
TRACTOR - - MODEL NUMBER 917.253250

KEY NO.	PART NO.	DESCRIPTION
5	195102X418	Dash
14	175260X615	Hood
18	174515X418	Grille, Assembly
34	196125	Plate Engine
36	17060512	Screw 5/16-18 x 3/4
37	400009X615	Fender
58	412281	Drawbar Upper
68	17490508	Screw Thdrol 5/16-18 x 1/2
122	192512	Screw WSHD HEX 10-32 x 5/8
130	416358	Screw #10 x 0.750
139	171873	Bolt Shoulder 5/16-18
148	164655	Bumper Extrusion
150	175351	Duct Heat Hood
152	199535	Shield Browning/Debris
153	161840	Lens Bar
161	193097X418	Console Fuel Window
162	142432	Screw Hex Wsh Hi-Lo 1/4 x 1/2
165	196826	Bracket Support Tank
175	193236	Crossmember
176	400776	Screw 10-24 x 5/8
177	195227	Bushing Steering
178	195651	Cargo Asm Net
180	415063	Chassis
181	193102X428	Bushing Mtg. Fender Crgo.
182	192551	Dash Lower
183	74780520	Bolt Fin Hex 5/16-18 unc x 1-1/4
189	17000512	Screw 5/16-18 x 3/4
194	73900500	Nut Lock Hex Flange 5/16-18
195	401556X428	Plug 12V Adapter Caplug
196	193098X418	Console Asm. Deck Lift
198	197300X505	Indicator Deck Lift
199	196377	Plate Deck Lift
228	195161	Stud Fastener
222	137729	Screw Thd Roll 1/4-20 x 5/8
233	196539	Bolt Shoulder
235	406129	Spacer Fender
236	73930500	Nut 5/16-18 unc
278	196394	X-Piece Hood Stop

NOTE: All component dimensions given in U.S. inches
1 inch = 25.4 mm

TRACTOR - - MODEL NUMBER 917.253250

GROUND DRIVE



drive-tex_K46_pedal_1_r1

TRACTOR - - MODEL NUMBER 917.253250

GROUND DRIVE

KEY NO.	PART NO.	DESCRIPTION	KEY NO.	PART NO.	DESCRIPTION
1	414006	Transaxle, TUFFTORQ K46 BN	183	400424	Spacer Split
2	186211	Key SQUARE	184	195361X505	Handle Parking Brake
7	199844	Hub Asm Wheel	185	72110620	Bolt Rdhd Sqnk 3/8-16 x 2-1/2
9	140080	Bolt Hub Wheel	186	194321	Spacer Retainer
15	19131316	Washer 13/32 x 13/16 x 16 Ga.	187	19133210	Washer
17	413678	Spring, Brake	188	194323	Link Clutch Ground Drive
26	199679	Spring Return Cruise	189	194317	Bellcrank Ground Drive
29	403806	Rod, Brake	190	194318	Keeper Bellcrank Ground Drive
33	12000001	Ring E	196	17000616	Screw 3/8-16 x 1
35	197275	Rod, Brake, Park	197	199769	Link Clutch Anti-Rotation
42	8883R	Cover, Foot Pedal	205	121748X	Washer
49	72110614	Bolt	206	197867	Bracket Mount Latch Cruise
50	194327	Pulley Idler Flat	207	197868	Latch Control Cruise
51	73900600	Lock Nut 3/8-16	208	197869	Gear Sector Control Cruise
52	194326	Idler V-Groove 910" Offset	209	199466	Rod Control Cruise
56	130969	V-Belt, Drive	210	197860	Rocker Asm. Pedal Control
64	197865	Shaft Asm. Pedal Brake Control	211	120183X	Bearing Nylon
73	74490544	Bolt 5/16-18 Gr. 5	213	195352X428	Knob Control Cruise
74	142432	Screw 1/4 x 1/2	214	197302X428	Pedal Forward
80	412170	Strap Torque	215	197301X428	Pedal Reverse
92	74760520	Bolt Fin Hex 5/16-18 unc x 1.25	216	196131	Bracket Pulley Idler
99	415742	Rod Bypass	221	403187	Retainer Spring Clip Handle
116	73900500	Nut Lock Hex Flange 5/16-18	222	79212010	Washer 21/32 x 1-1/4 x 10 Ga.
125	17000512	Screw 5/16-18 x 3/4	224	193099X428	Console Toolbox
143	17490508	Screw 5/16-18 x 1/2	225	403319	Keeper Belt Trans.
153	STD624003	Retainer Spring	226	401564	Bracket Mount Torque
159	76020412	Pin Cotter 1/8 x 3/4	230	188967	Washer Harden
160	169484	Retainer Clip	231	407287	Idler V-Groove
161	105709X	Spring, Return, Clutch			
163	401034	Rod Pedal Control			
166	197290	Nut Push .625			
167	405257	Latch Brake Parking			
170	413430	Keeper Belt Centerspan			
171	72110622	Bolt RDHD 3/8-16 unc x 2-3/4 Gr. 5			

NOTE: All component dimensions given in U.S. inches
1 inch = 25.4 mm

TRACTOR - - MODEL NUMBER 917.253250

ENGINE

KEY NO.	PART NO.	DESCRIPTION
1	-----	Engine Briggs Model No. 445677-1145-B1 (See Engine Breakdown)
2	149723	Muffler
9	194320	Keeper Asm. Belt Engine
11	179335	Clutch Electric
12	194343	Pulley Engine
15	193499	Tank Fuel 4.0
18	194267	Cap Asm
20	175437X428	Control Throttle
21	416358	Screw #10 x 0.750 BOS Thread
22	187767X428	Control Choke
28	8543R	Fuel Line
29	137180	Spark Arrester Kit
31	145006	Clip Push-In Hinged
37	123487X	Clamp Hose
41	126197X	Washer 1-1/2 OD x 15/32 ID x .250
42	STD551143	Washer Lock 7/16
45	73510400	Nut Keps 1/4-20 unc
62	146629	Shield Heat Muffler
69	165391	Gasket
70	159955	Tube Exhaust LH
71	160589	Tube Exhaust RH
79	183906	Screw 5/16-18 x 1
81	148456	Tube Drain Oil Easy
82	181654	Plug Drain Oil
84	17060620	Screw 3/8-16 x 1-1/4
85	179953	Bolt Hex 7/16-20 x 3.75 Gr. 5
87	198239	Bolt 5/16-18 unc x 1 w/Sems
90	17000616	Screw 3/8-16 x 1
91	187495	Bushing

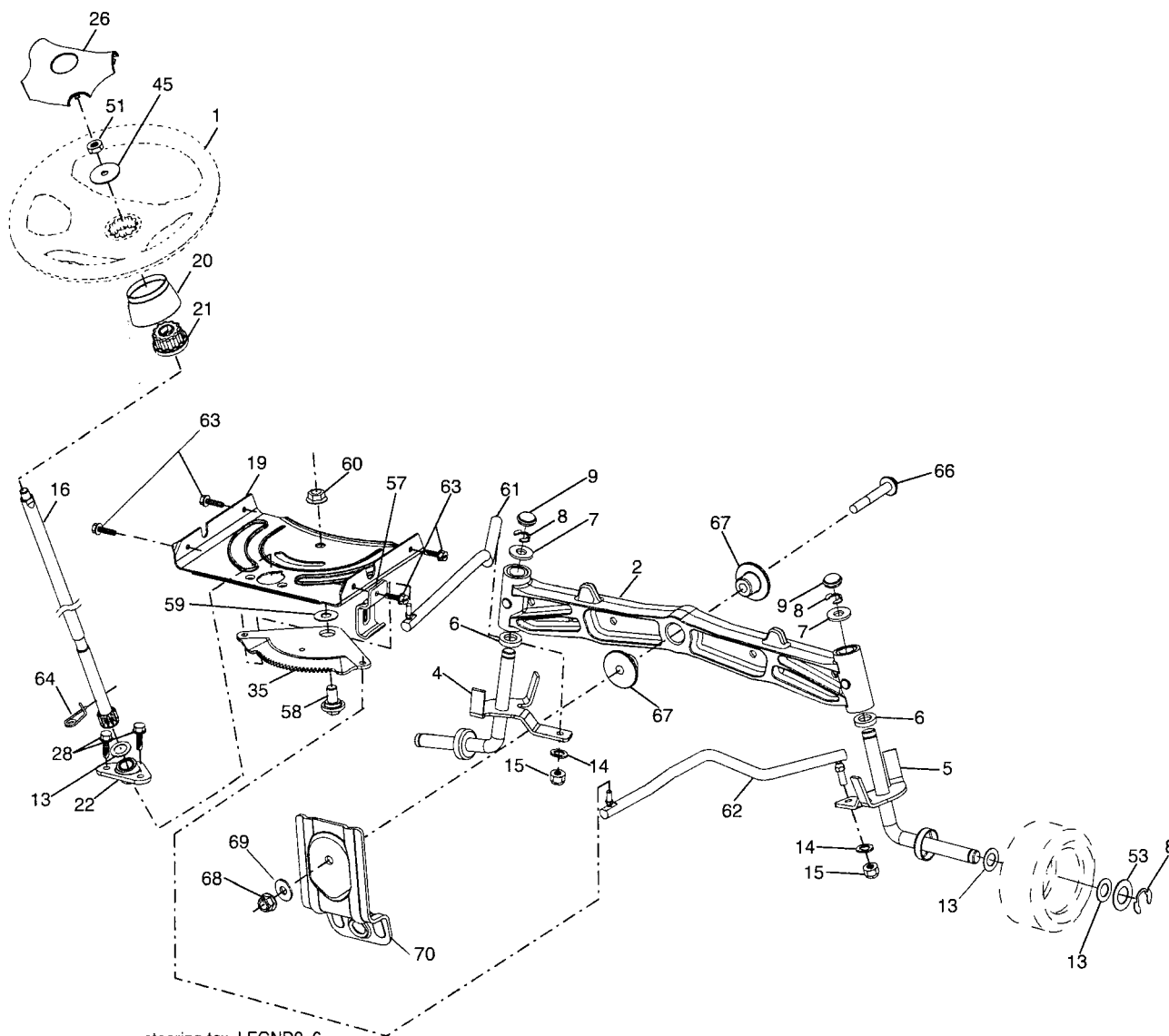
NOTE: All component dimensions given in U.S. inches
1 inch = 25.4 mm

Engine Power Rating Information

The gross power rating for individual gas engine models is labeled in accordance with SAE (Society of Automotive Engineers) code J11940 (Small Engine Power & Torque Rating Procedure), and rating performance has been obtained and corrected in accordance with SAE J1995 (Revision 2002-5). Actual gross engine power will be lower and is affected by, among other things, ambient operating conditions and engine-to-engine variability. Given both the wide array of products on which engines are placed and the variety of environmental issues applicable to operating the equipment, the gas engine will not develop the rated gross power when used in a given piece of power equipment (actual "on-site" or net horsepower). This difference is due to a variety of factors including, but not limited to, accessories (air cleaner, exhaust, charging, cooling, carburetor, fuel pump, etc.), application limitations, ambient operating conditions (temperature, humidity, altitude), and engine-to-engine variability. Due to manufacturing and capacity limitations, Briggs & Stratton may substitute an engine of higher rated power for this Series engine.

TRACTOR - - MODEL NUMBER 917.253250

STEERING ASSEMBLY



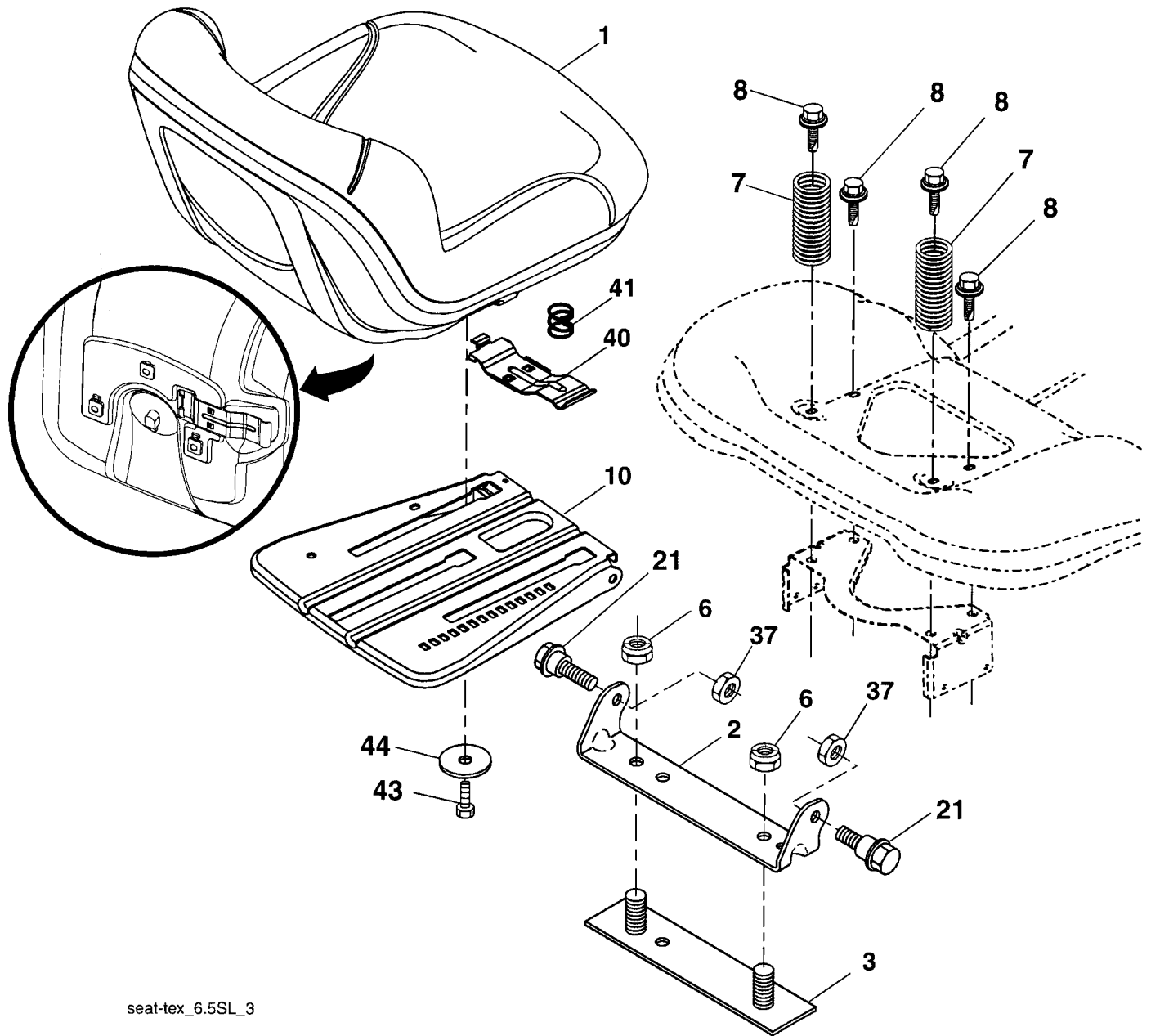
steering-tex_LEGND2_6

KEY NO.	PART NO.	DESCRIPTION	KEY NO.	PART NO.	DESCRIPTION
1	186093X418	Wheel, Steering	51	73940800	Nut Hex Jam Toplock 1/2-20 unf
2	195968	Axle Asm., Front	53	188967	Washer Hardened .793 x 1.637 x .060
4	403089	Spindle Asm., LH	57	197246	Bracket Upstop
5	403090	Spindle Asm., RH	58	194747	Bolt Shoulder Sector Pivot CFM
6	6266H	Bearing, Race Thrust Harden	59	194748	Washer Thrust Sector Steering
7	121748X	Washer 25/32 x 1-5/8 x 16 Ga.	60	73971000	Nut Flange Lock 5/8-11
8	12000029	Ring, Clip #T5304-75	61	194740	Draglink, LH
9	184946X505	Cap, Spindle	62	194741	Draglink, RH
13	121749X	Washer 25/32 x 1-1/4 x 16 Ga.	63	17000512	Screw 5/16-18 x 3/4
14	STD551137	Washer, Lock Hvy Hlcl Spr 3/8	64	199849	Retainer Clip Spring Steering
15	73540600	Nut, Crown Lock 3/8-24 unf	66	71020748	Bolt Hex Fghd 7/16-14 x 3 Serr
16	194746	Shaft Steering	67	194737	Bushing PM Front Axle
19	194729	Plate Steering	68	73900700	Nut Lock Flange 7/16-14 Gr. 5
20	195626X418	Boot, Steering	69	199162	Washer 1.5 x .505 x .118
21	186737	Adapter, Wheel Steering	70	196197	Bracket Deck Susp. Front
22	194845	Bushing, Strg. Blk			
26	186095X418	Insert, Wheel Steering			
28	17000612	Screw 3/8-16 x 3/4			
35	194732	Gear, Sector Plate			
45	19183812	Washer 9/16 ID x 2-3/8 OD 12 GZIN			

NOTE: All component dimensions give in U.S. inches
1 inch = 25.4 mm

TRACTOR - - MODEL NUMBER 917.253250

SEAT ASSEMBLY



seat-tex_6.5SL_3

KEY NO.	PART NO.	DESCRIPTION
1	418490	Seat
2	180166	Bracket Pivot Fender
3	140675	Strap, Asm Fender
6	STD541437	Nut, Lock w/Ins. 3/8-16 unc
7	124181X	Spring, Seat Cprsn
8	171877	Bolt 5/16-18 unc x 3/4 w/Sems
10	196977	Pan, Seat
21	171852	Bolt, Shoulder 5/16-18
37	STD541431	Nut, Lock 5/16-18 unc

KEY NO.	PART NO.	DESCRIPTION
40	197661	Handle Slide Seat
41	198200	Spring Latch Seat
43	74760612	Bolt 3/8-16 unc x 3/4
44	19133812	Washer 13/32 x 2-3/8 x 12 Ga.

NOTE: All component dimensions give in U.S. inches
1 inch = 25.4 mm