

**REPAIR PARTS MANUAL**  
**MODEL NO. 253240**  
**Lawn Tractor**



# HOW TO USE THIS MANUAL

This manual is designed to provide the customer with a means to identify the parts on his/her tractor when ordering repair parts. The illustrations may or may not represent the actual assemblies; therefore, it is not recommended to use this manual as a guide to assemble or disassemble the tractor. Some hardware and parts are drawn larger in order to more readily identify them.

Each tractor has its own model number.

The model number for your tractor can be found on the fender under the seat.

When ordering parts, always give the following information:

- Product - Lawn Tractor
- MODEL NUMBER - 253240
- Part Number
- Part Description

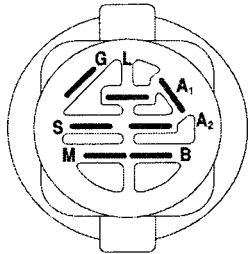
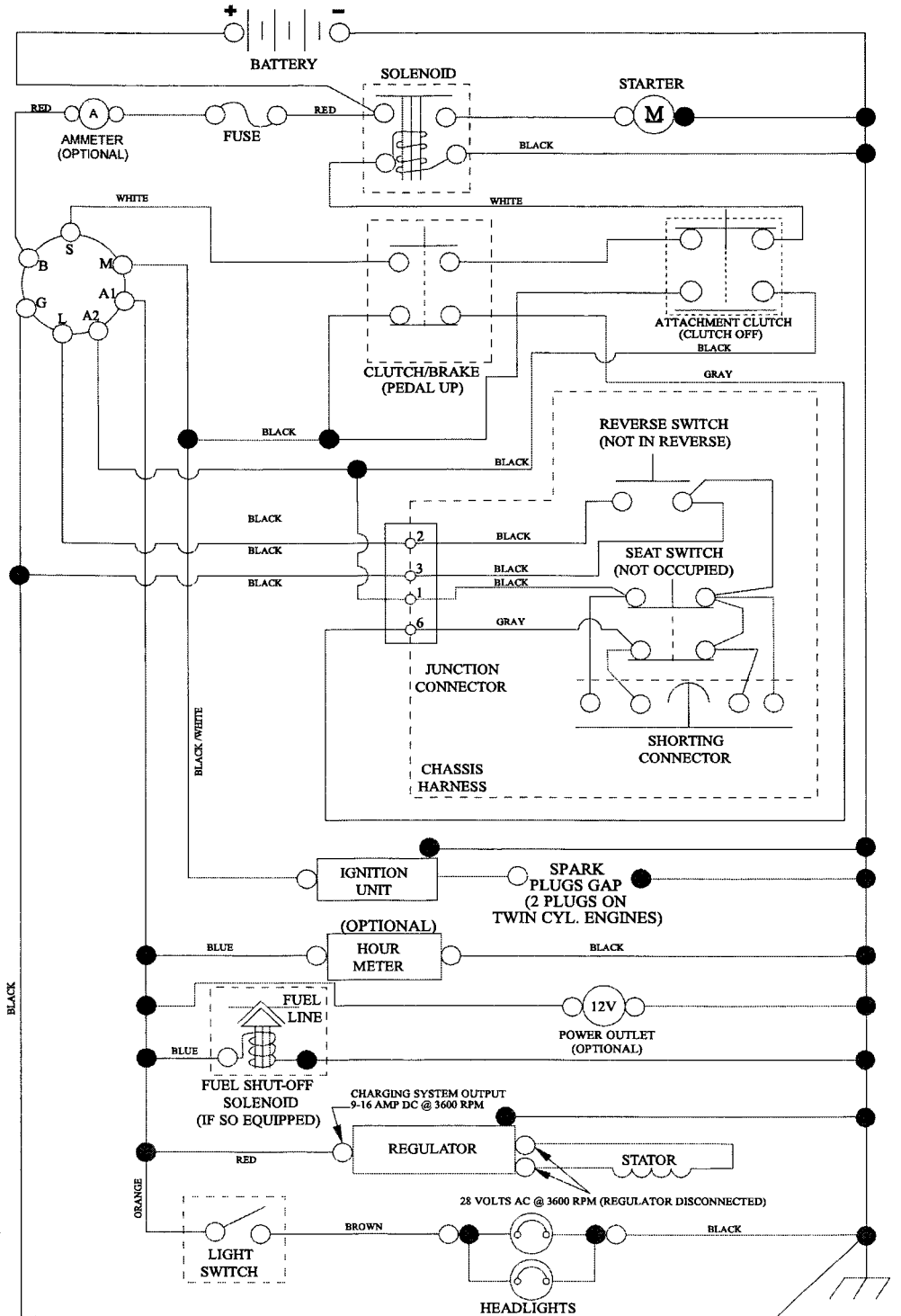
## TABLE OF CONTENTS

<b>SCHEMATIC .....</b>	<b>3</b>
<b>ELECTRICAL.....</b>	<b>4-5</b>
<b>CHASSIS .....</b>	<b>6-7</b>
<b>DRIVE.....</b>	<b>8-9</b>
<b>ENGINE.....</b>	<b>10-11</b>
<b>STEERING .....</b>	<b>12</b>
<b>SEAT .....</b>	<b>13</b>
<b>MOWER DECK .....</b>	<b>14-15</b>
<b>DECALS.....</b>	<b>16</b>
<b>MOWER LIFT.....</b>	<b>17</b>
<b>TRANSAXLE BREAKDOWN .....</b>	<b>18-19</b>
<b>ENGINE BREAKDOWN.....</b>	<b>20-24</b>
<b>WARRANTY.....</b>	<b>25</b>

# TRACTOR -- MODEL NUMBER 917.253240

## SCHEMATIC

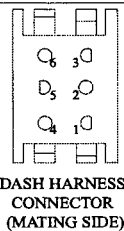
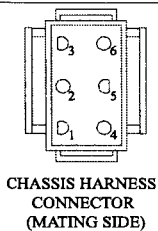
SCH10



**IGNITION SWITCH**

POSITION	CIRCUIT "MAKE"
OFF	M+G+A1
RUN/OVERRIDE	B+A1
RUN	B+A1 L+A2
START	B + S + A1

03107



**WIRING INSULATED CLIPS**  
NOTE: IF WIRING INSULATED CLIPS WERE REMOVED FOR SERVICING OF UNIT, THEY SHOULD BE RE-INSTALLED TO PROPERLY SECURE YOUR WIRING.

**NON-REMOVABLE CONNECTIONS**

**REMOVABLE CONNECTIONS**



# ELECTRICAL

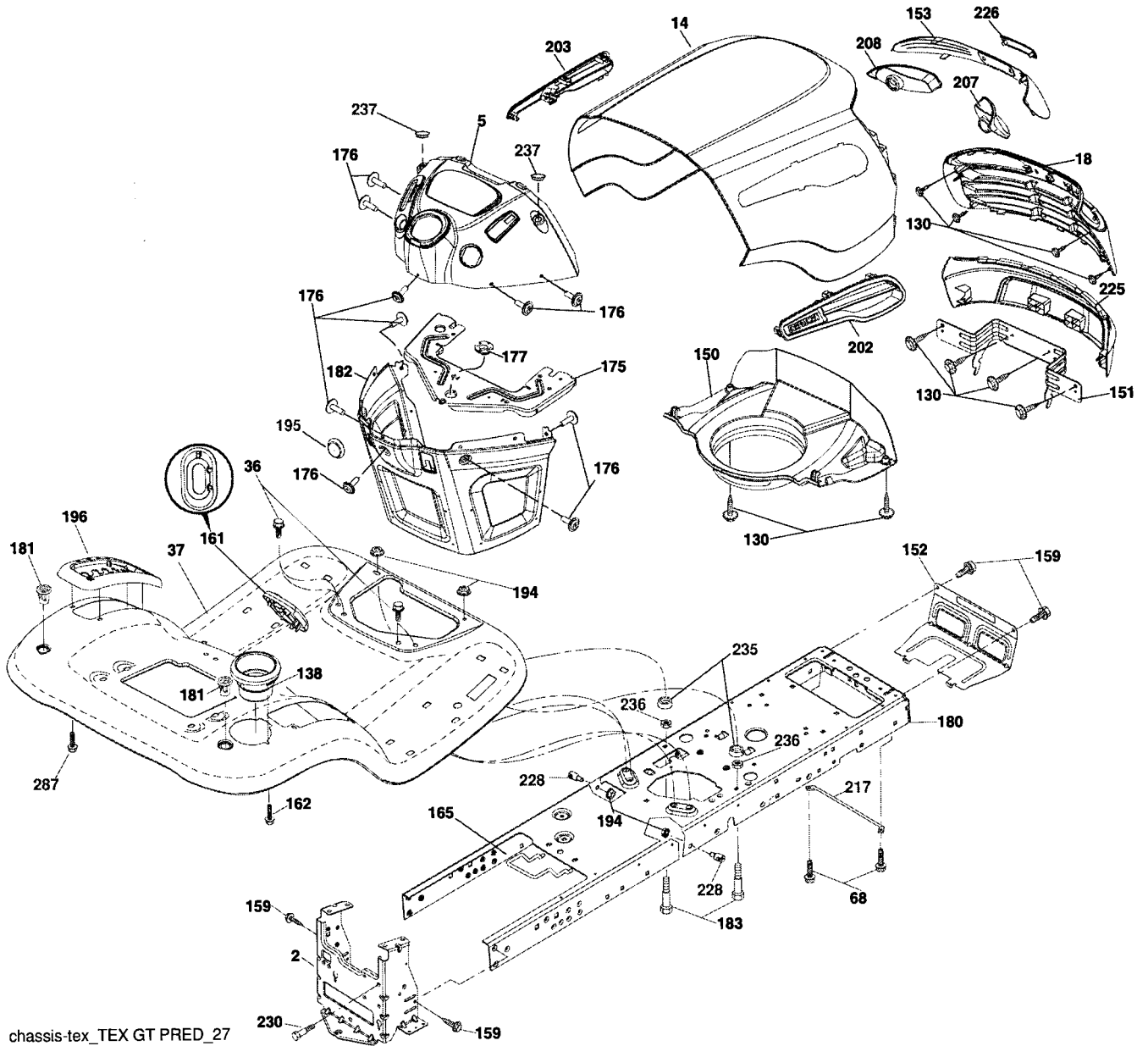
## TRACTOR - - MODEL NUMBER 917.253240

KEY NO.	PART NO.	DESCRIPTION
1	144927	Battery
2	74760412	Bolt Hex Head 1/4-20 x 3/4
8	186491	Box Battery
16	176138	Switch Interlock Push-In
21	400252	Harness Socket Light w/4152J
22	4152J	Bulb Light
24	400253	Cable Battery
25	412895	Cable Starter
26	175158	Fuse
27	STD541425	Nut Keps Hex 1/4-20 unc
28	145491	Cable, Ground
29	401545	Switch, Seat
30	193350	Switch, Ignition
33	411934	Key, Chain
34	110712X	Switch Light/Reset
40	401098	Harness Ignition Dash
41	17720408	Screw Thd. Cut 1/4-20 x 1/2
42	131563	Cover, Terminal
43	192507	Solenoid
46	413931	Gauge Hourmeter
55	17060512	Screw 5/16-18 x 3/4
71	194276	Harness Ignition
79	175242	Socket Asm. Bulb Twistlock
87	197802	Switch Interlock Clutch Cable
90	400724	Cover Terminal Battery
91	190270	Strap Battery
99	17670412	Screw 1/4-20 x 7/8 x 16 Ga.
100	19061416	Washer 9/32 x 7/8 x 16 Ga.
141	416977	Kit T2 ROS

**NOTE:** All component dimensions give in U.S. inches  
1 inch = 25.4 mm

# TRACTOR -- MODEL NUMBER 917.253240

## CHASSIS ASSEMBLY



chassis-tex\_TEX GT PRED\_27

## TRACTOR - - MODEL NUMBER 917.253240

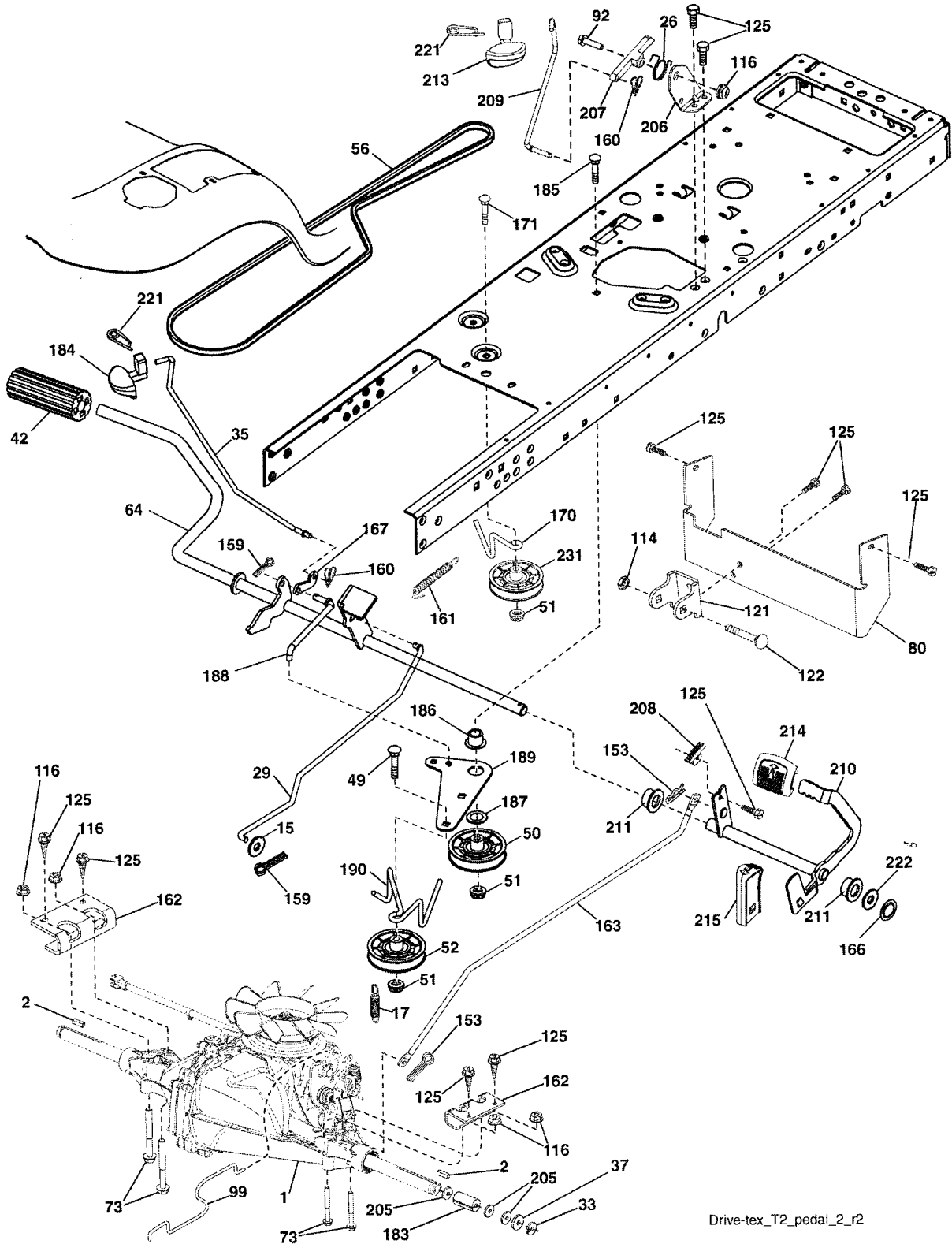
### CHASSIS ASSEMBLY

KEY NO.	PART NO.	DESCRIPTION
2	194263	Drawbar
5	407235X428	Dash
14	404654X612	Hood
18	405013	Grille Asm. (Includes Key Nos. 153, 207, 208 and 226)
36	17060512	Screw 5/16-18 x 3/4
37	414878X612	Fender
68	17490508	Screw Thdrol. 5/16-18 x 1/2
130	416358	Screw #10 x 0.750 BOS Thread
138	193224X428	Cupholder
150	199411	Duct Heat Hood
151	196332	Bracket Pivot
152	194329	Shield Browning/Debris
153	198965	Lens
159	17000612	Screw Hex Wsh. Thdrol. 3/8-16 x 3/4
161	193229X428	Window Fuel
162	142432	Screw Hex Wsh. Hi-Lo 1/4 x 1/2 unc
165	194330	Support Tank Rear
175	196304	Crossmember
176	400776	Screw 10-24 x 5/8 Wshd. Qdrc.
177	195227	Bushing Steering
180	194260	Chassis
181	193102X428	Bushing Mtg. Fender Crgo.
182	406859	Dash Lower
183	STD523112	Bolt Fin. Hex 5/16-18 x 1-1/4
194	73900500	Nut Lock Hex Flange 5/16-18
195	401556x428	Plug Hole Dash
196	414579	Console Asm. Deck Lift
202	198968X428	Vent Side Hood RH
203	198969X428	Vent Side Hood LH
207	198963	Bezel RH
208	198964	Bezel LH
217	409167	Rod Pivot Chassis
225	198962X612	Bumper
226	198967X428	Logo
228	195161	Stud Fastener
230	170165	Bolt Shoulder 5/16-18
235	406129	Spacer Fender
236	73930500	Nut Lock 5/16-18 unc
237	403704	Plug Mount Cargo
287	17600406	Screw 1/4-20 x 3/8

**NOTE:** All component dimensions give in U.S. inches  
1 inch = 25.4 mm

# TRACTOR -- MODEL NUMBER 917.253240

## GROUND DRIVE



Drive-tex\_T2\_pedal\_2\_r2

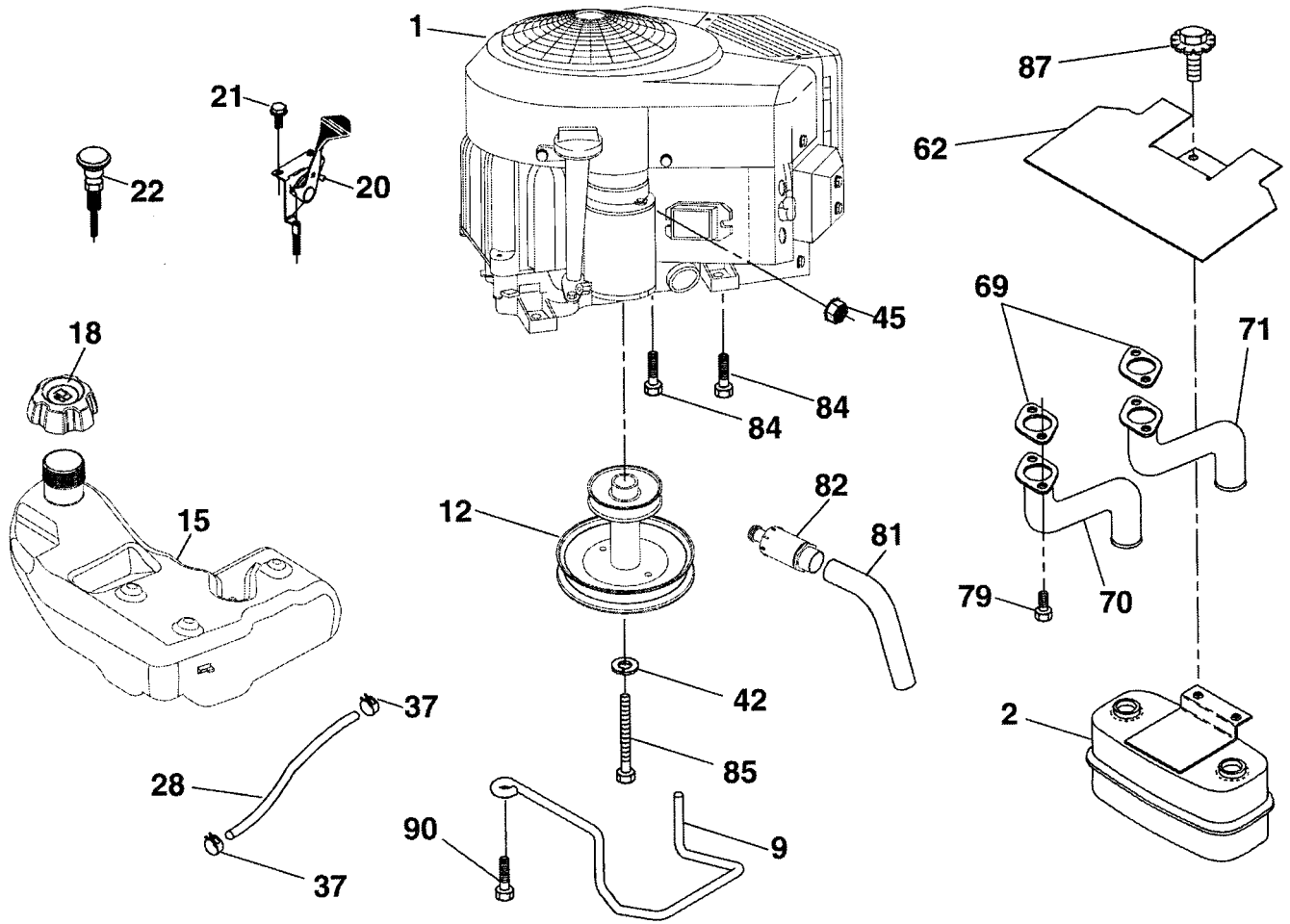
**TRACTOR - - MODEL NUMBER 917.253240****GROUND DRIVE**

<b>KEY NO.</b>	<b>PART NO.</b>	<b>DESCRIPTION</b>
1	410043	Transaxle, Hydro GR T2
2	123583X	Key
15	19131316	Washer 13/32 x 13/16 x 16 Ga.
17	197296	Spring, Brake
26	199679	Spring Return Cruise
29	408391	Rod, Brake
33	12000001	Ring E
35	199591	Rod, Brake, Park
37	121749x	Washer 25/32 x 1-1/4 x 16 Ga.
42	8883R	Cover, Foot Pedal
49	72110614	Bolt
50	194327	Pulley Idler Flat
51	73900600	Lock Nut 3/8-16
52	194326	Idler V-Groove 910" Offset
56	125907x	V-Belt, Drive
64	197865	Shaft Asm. Pedal Brake Control
73	74490544	Bolt Hex Flghd. 5/16-18 Gr. 5
80	408393	Strap Torque
92	74760520	Bolt Fin. Hex 5/16-18 unc x 1.25
99	408418	Rod Asm. Bypass
114	73930500	Nut Center Lock 5/16-18 unc
116	73900500	Nut Lock Hex Flange 5/16-18
121	175611	Bracket Mount Torque
122	74780520	Bolt Fin. Hex 5/16-18 unc x 1-1/4
125	17000512	Screw 5/16-18 x 3/4
153	4497H	Retainer Spring
159	76020412	Pin Cotter 1/8 x 3/4
160	169484	Retainer Clip
161	105709x	Spring, Return, Clutch
162	408784	Adapter Transaxle
163	413322	Rod Pedal Control
166	197290	Nut, Push
167	405257	Latch Brake Parking
170	413430	Keeper Belt Centerspan
171	72110622	Bolt
183	156972	Spacer Axle
184	196439X505	Handle Parking Brake
185	72110620	Bolt
186	194321	Spacer Retainer
187	19133210	Washer
188	194323	Link Clutch Ground Drive
189	194317	Bellcrank Ground Drive
190	194318	Keeper Bellcrank Ground Drive
205	121748X	Washer
206	197867	Bracket Mount Latch Cruise
207	197868	Latch Control Cruise
208	197869	Bolt Sector Control Cruise
209	199592	Rod Control Cruise
210	400980	Rocker Asm. Pedal Control
211	120183X	Bearing, Nylon
213	196441X428	Knob Control Cruise
214	197302X428	Pad Pedal Forward
215	197301X428	Pad Pedal Reverse
221	403187	Retainer Spring Clip Handle
222	79212010	Washer
231	407287	Idler V-Groove 1.688" OFFSET

**NOTE:** All component dimensions give in U.S. inches  
1 inch = 25.4 mm

TRACTOR -- MODEL NUMBER 917.253240

ENGINE



29

**SPARK ARRESTER KIT**

engine-tex\_bs-2cyl\_13

## TRACTOR - - MODEL NUMBER 917.253240

### ENGINE

KEY NO.	PART NO.	DESCRIPTION
1	-----	Engine Briggs Model No. 445677-0758-E1
2	149723	Muffler
9	194319	Keeper Belt Engine
12	405140	Pulley Engine
15	400021	Tank Fuel
18	195951	Cap Asm.
20	175437X428	Control Throttle
21	416358	Screw #10 x 0.750 BOS Thread
22	187767X428	Control Choke
28	8543R	Fuel Line
29	137180	Spark Arrester Kit
37	123487X	Clamp Hose
42	STD551143	Washer Lock 7/16
45	STD541425	Nut Keps. Hex 1/4-20 unc
62	146629	Shield Heat Muffler
69	165391	Gasket
70	159955	Exhaust Tube LH
71	160589	Exhaust Tube RH
79	183906	Screw 5/16-18 x 1
81	148456	Tube Drain Oil Easy
82	181654	Plug Drain Oil
84	17060620	Screw 3/8-16 x 1-1/4
85	173937	Bolt 7/16-20 x 4 x Gr. 5-1.5
87	171877	Bolt 5/16-18 unc x 3/4 w/Sems.
90	17000616	Screw 3/8-16 x 1

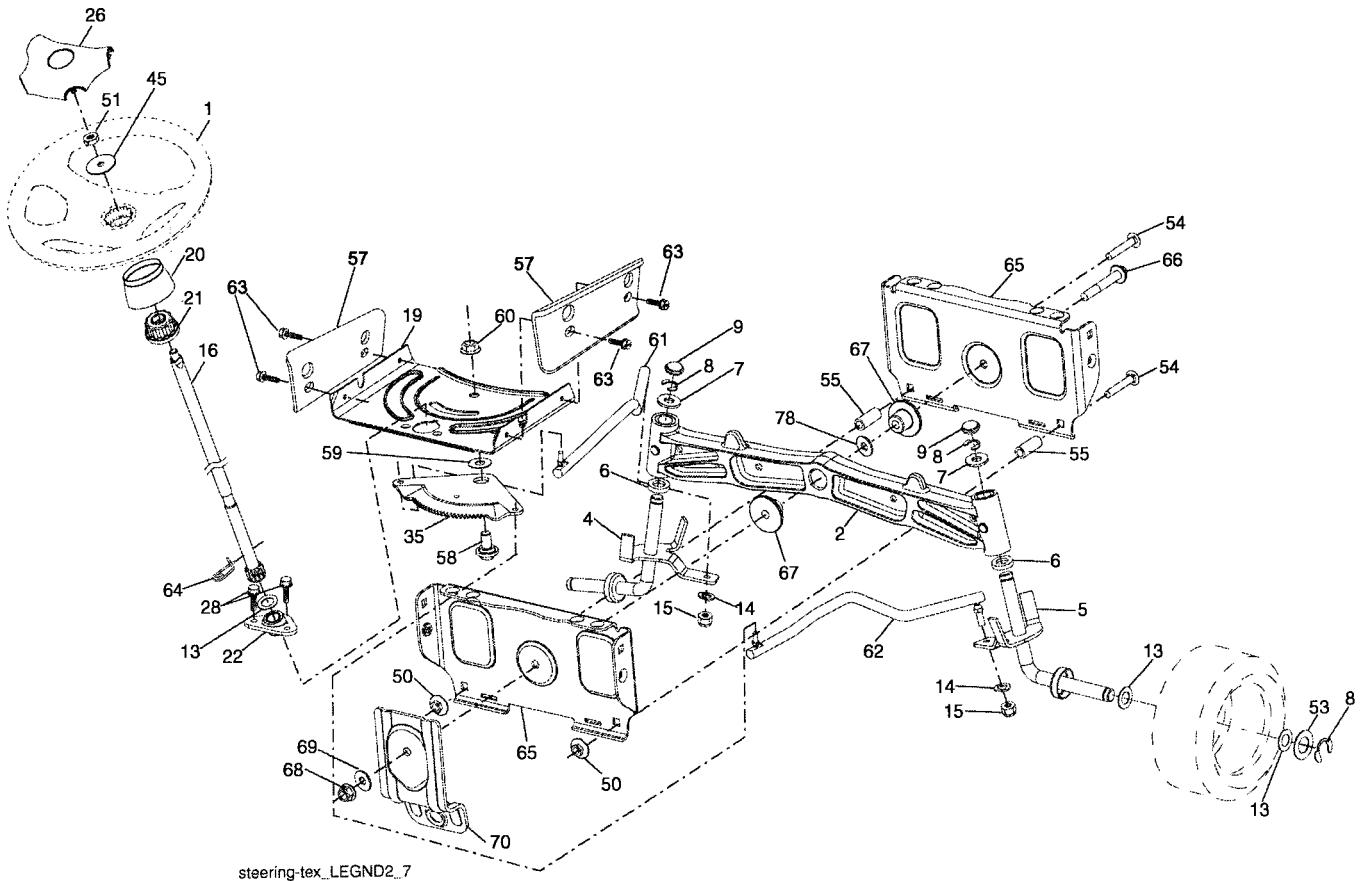
**NOTE:** All component dimensions give in U.S. inches  
1 inch = 25.4 mm

### Engine Power Rating Information

The gross power rating for individual gas engine models is labeled in accordance with SAE (Society of Automotive Engineers) code J11940 (Small Engine Power & Torque Rating Procedure), and rating performance has been obtained and corrected in accordance with SAE J1995 (Revision 2002-5). Actual gross engine power will be lower and is affected by, among other things, ambient operating conditions and engine-to-engine variability. Given both the wide array of products on which engines are placed and the variety of environmental issues applicable to operating the equipment, the gas engine will not develop the rated gross power when used in a given piece of power equipment (actual "on-site" or net horsepower). This difference is due to a variety of factors including, but not limited to, accessories (air cleaner, exhaust, charging, cooling, carburetor, fuel pump, etc.), application limitations, ambient operating conditions (temperature, humidity, altitude), and engine-to-engine variability. Due to manufacturing and capacity limitations, Briggs & Stratton may substitute an engine of higher rated power for this Series engine.

# TRACTOR - - MODEL NUMBER 917.253240

## STEERING ASSEMBLY



steering-tex\_LEGND2\_7

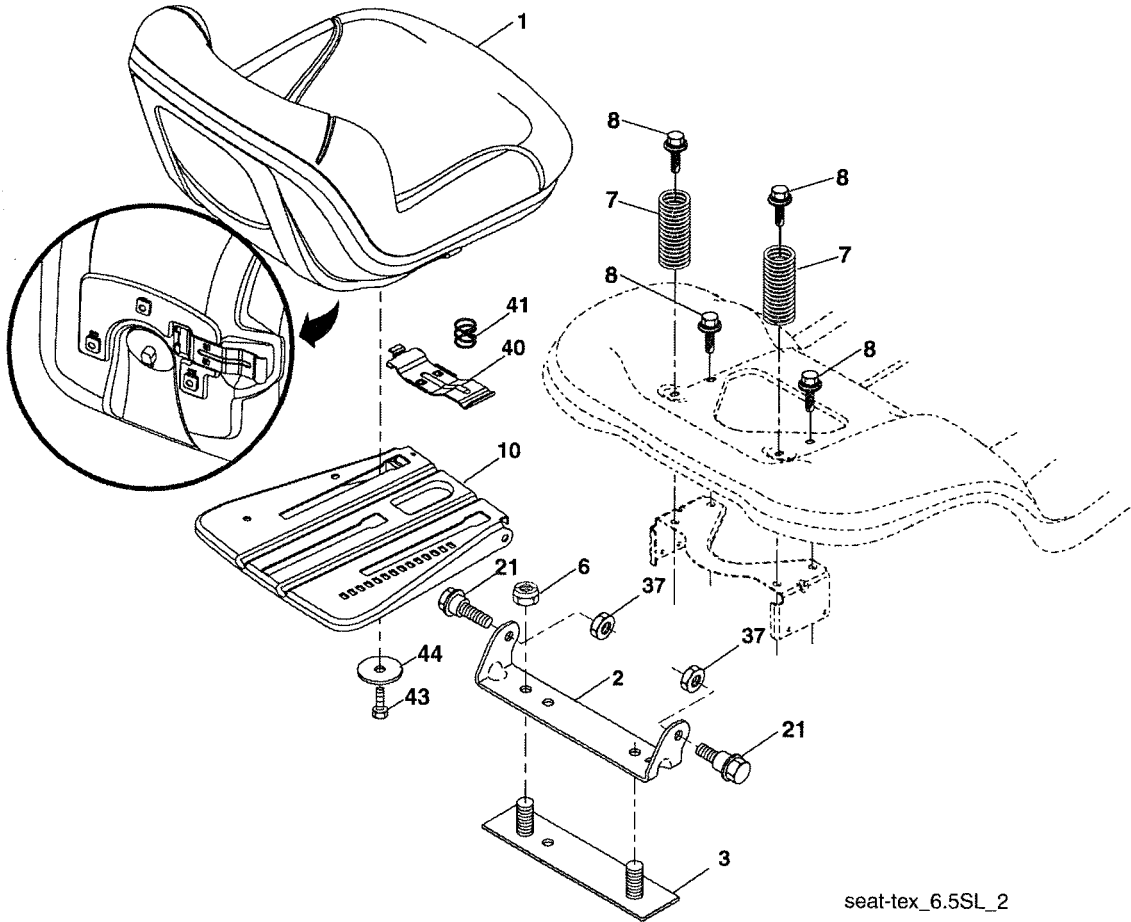
KEY NO.	PART NO.	DESCRIPTION
1	414851X428	Wheel, Steering
2	184706	Axle Asm., Front
4	403087	Spindle Asm., LH
5	403088	Spindle Asm., RH
6	6266H	Bearing, Race Thrust Harden
7	121748X	Washer 25/32 x 1-5/8 x 16 Ga.
8	12000029	Ring, Clip #T5304-75
9	184946X505	Cap, Spindle
13	121749X	Washer 25/32 x 1-1/4 x 16 Ga.
14	STD551137	Washer, Lock Hvy. Hlcl. Spr. 3/8
15	73540600	Nut, Crown Lock 3/8-24 unf
16	194746	Shaft Steering
19	194729	Plate Steering
20	199676X428	Boot, Steering
21	186737	Adapter, Wheel Steering
22	194845	Bushing, Strg. Blk.
26	414852X428	Insert, Wheel Steering
28	17000612	Screw 3/8-16 x 3/4
35	194732	Gear, Sector Plate
45	19183812	Washer 9/16 x 2-3/8 x 12 Ga.
50	73900600	Nut Lock 3/8-16 unc
51	STD541350	Nut Hex Jam Toplock 1/2-20 unf

KEY NO.	PART NO.	DESCRIPTION
53	188967	Washer Hardened .793 x 1.637 x .060
54	STD523722	Bolt Hex 3/8-16 unc x 2-1/4
55	414736	Spacer Brace Axle
57	407465	Bracket Upstop
58	194747	Bolt Shoulder Sector Pivot CFM
59	194748	Washer Thrust Sector Steering
60	73971000	Nut Flange Lock 5/8-11
61	194740	Draglink, LH
62	194741	Draglink, RH
63	17000512	Screw 5/16-18 x 3/4
64	199849	Retainer Clip Spring Steering
65	194734	Brace Axle Front
66	71020748	Bolt Hex Fghd. 7/16-14 x 3 Serr.
67	194737	Bushing PM Front Axle
68	73900700	Nut Lock Flange 7/16-14 Gr. 5
69	199162	Washer 1.5 x .505 x .118
70	196197	Bracket Deck Susp. Front
78	57079	Washer Thrust .515 x .750 x .033

**NOTE:** All component dimensions give in U.S. inches  
1 inch = 25.4 mm

**TRACTOR -- MODEL NUMBER 917.253240**

**SEAT ASSEMBLY**



KEY NO.	PART NO.	DESCRIPTION
1	406622	Seat
2	180166	Bracket Pivot Fender
3	140675	Strap, Asm. Fender
6	STD541437	Nut, Lock w/Ins. 3/8-16 unc
7	124181X	Spring, Seat Cprsn.
8	171877	Bolt 5/16-18 unc x 3/4 w/Sems.
10	196977	Pan, Seat
21	171852	Bolt, Shoulder 5/16-18

KEY NO.	PART NO.	DESCRIPTION
37	STD541437	Nut, Lock 5/16-18 unc
40	197661	Handle Slide Seat
41	198200	Spring Latch Seat
43	STD523707	Bolt Fin. Hex 3/8-16 unc x 3/4
44	19133812	Washer 13/32 x 2-3/8 x 12 Ga.

**NOTE:** All component dimensions give in U.S. inches  
1 inch = 25.4 mm