

REPAIR PARTS MANUAL
MODEL NO. 253230
LAWN TRACTOR



HOW TO USE THIS MANUAL

This manual is designed to provide the customer with a means to identify the parts on his/her tractor when ordering repair parts. The illustrations may or may not represent the actual assemblies; therefore, it is not recommended to use this manual as a guide to assemble or disassemble the tractor. Some hardware and parts are drawn larger in order to more readily identify them.

Each tractor has its own model number.

The model number for your tractor can be found on the fender under the seat.

When ordering parts, always give the following information:

- Product - "Tractor"
- Model Number - "253230"
- Part Number
- Part Description

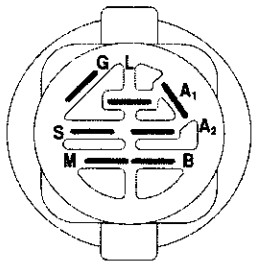
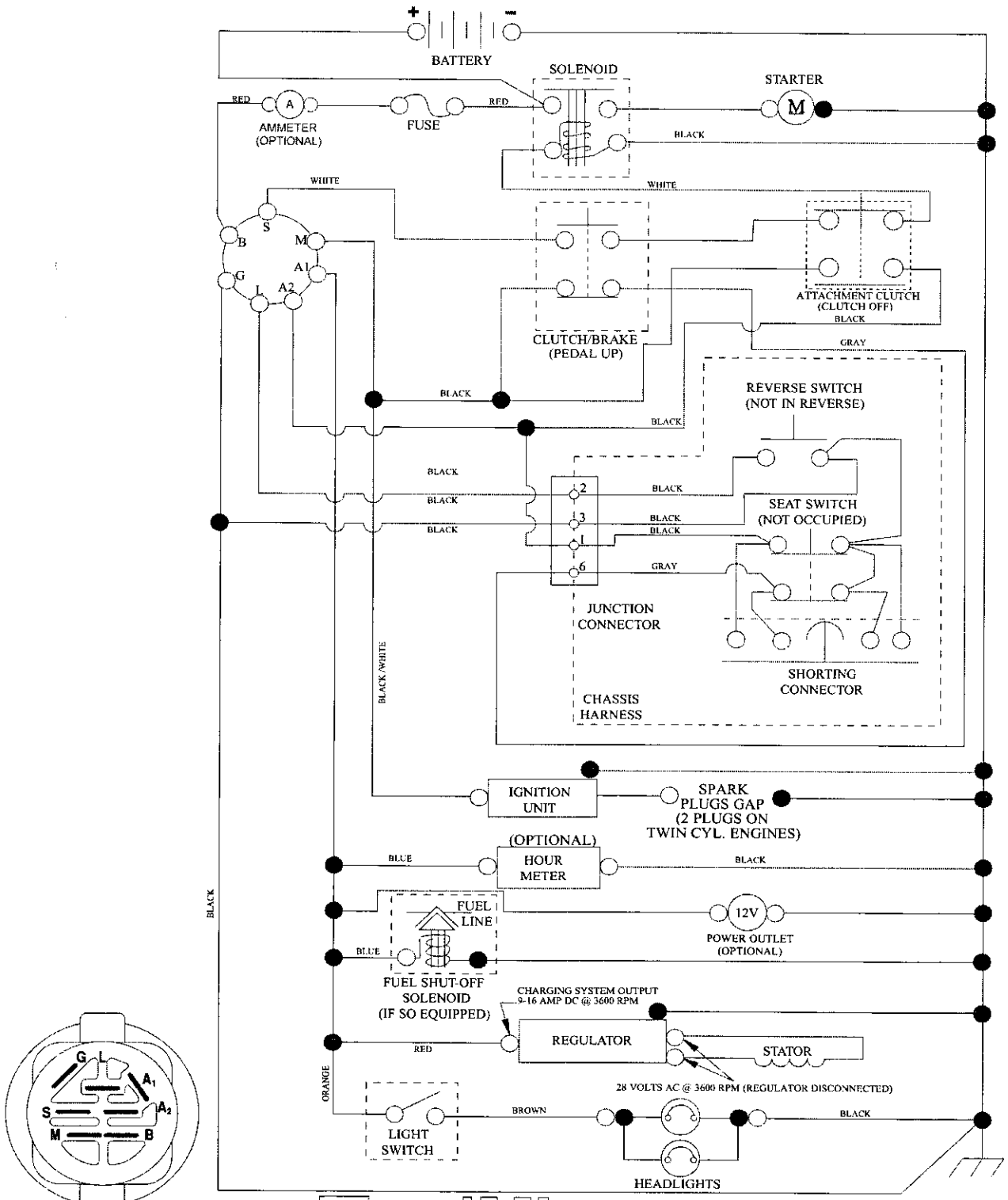
TABLE OF CONTENTS

SCHEMATIC	3
ELECTRICAL.....	4-5
CHASSIS AND ENCLOSURES.....	6-7
DRIVE.....	8-9
STEERING ASSEMBLY.....	10-11
ENGINE.....	12-13
SEAT ASSEMBLY.....	14
DECALS.....	15
MOWER LIFT.....	16-17
MOWER DECK	18-19
TRANSAXLE BREAKDOWN	20-21
ENGINE BREAKDOWN.....	22-27
WARRANTY	BACK COVER

TRACTOR -- MODEL NUMBER 917.253230

SCHEMATIC

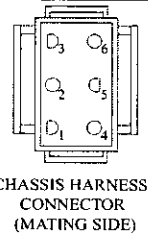
SCH10



IGNITION SWITCH

POSITION	CIRCUIT	"MAKE"
OFF	M+G+A1	
RUN/OVERRIDE	B+A1	
RUN	B+A1	L+A2
START	B+S+A1	

03107



CHASSIS HARNESS CONNECTOR (MATING SIDE)



DASH HARNESS CONNECTOR (MATING SIDE)

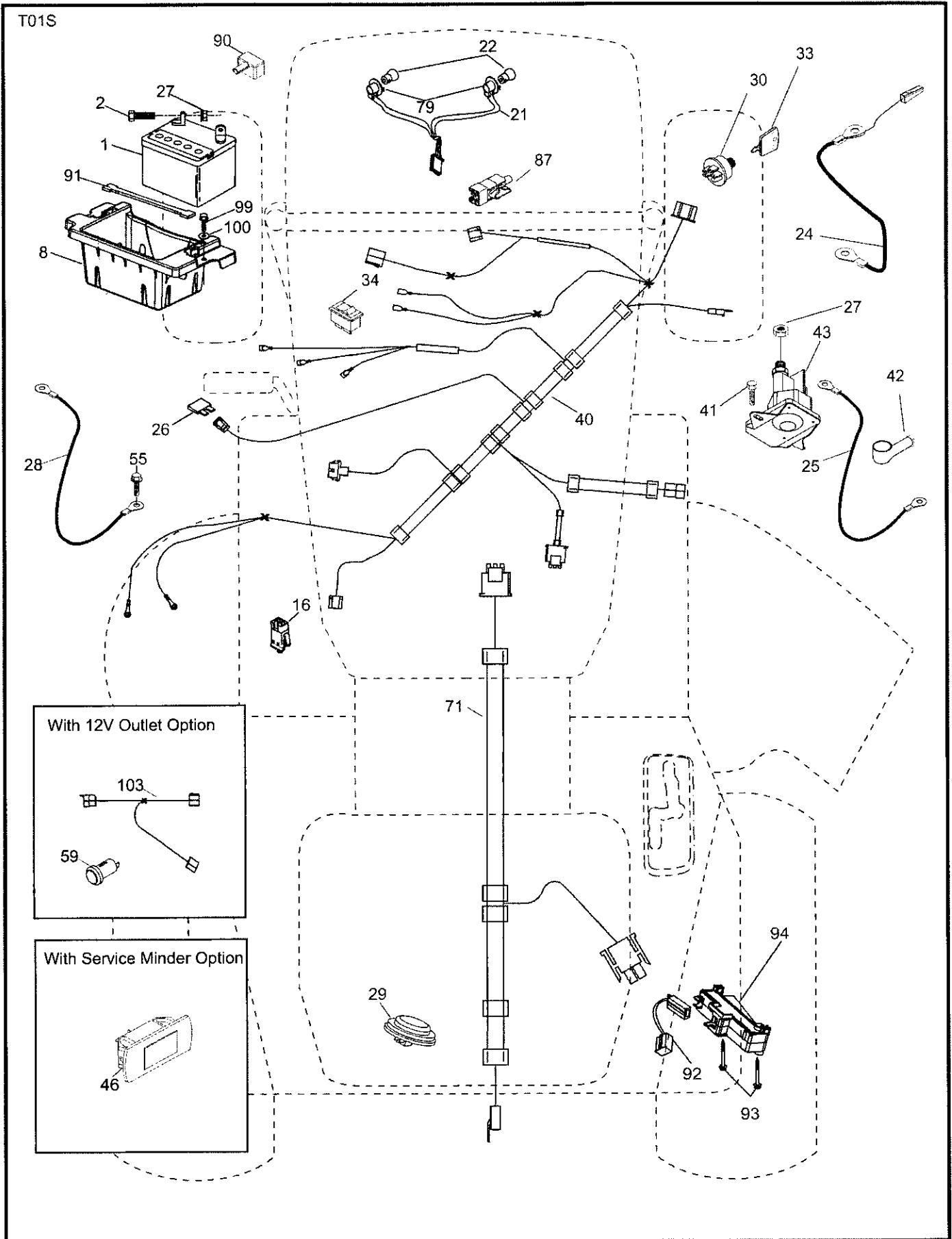
WIRING INSULATED CLIPS
NOTE: IF WIRING INSULATED CLIPS WERE REMOVED FOR SERVICING OF UNIT, THEY SHOULD BE RE-INSTALLED TO PROPERLY SECURE YOUR WIRING.

● NON-REMOVABLE CONNECTIONS

○ REMOVABLE CONNECTIONS

TRACTOR -- MODEL NUMBER 917.253230

ELECTRICAL



ELECTRICAL**TRACTOR - - MODEL NUMBER 917.253230**

KEY NO.	PART NO.	DESCRIPTION
1	144927	Battery
2	74760412	Bolt Hex Head 1/4-20 x 3/4
8	186491	Box Battery
16	176138	Switch Interlock Push-In
21	400252	Harness Socket Light w/4152J
22	4152J	Bulb Light
24	400253	Cable Battery
25	412895	Cable Starter
26	175158	Fuse
27	STD541425	Nut Keps Hex 1/4-20 unc
28	145491	Cable, Ground
29	401545	Switch, Seat
30	193350	Switch, Ignition
33	411934	Key/Chain
34	110712X	Switch Light/Reset
40	401098	Harness Ignition Dash
41	17720408	Screw Thd Cut 1/4-20 x 1/2
42	131563	Cover, Terminal
43	192507	Solenoid
46	413931	Gauge Srvmnder Hourmeter
55	17060512	Screw Thdrol 5/16-18 x 3/4
71	194276	Harness Chassis
79	175242	Socket Asm Bulb
87	197802	Switch Intrlck Clutch Cable
90	400724	Cover Terminal Battery
91	190270	Strap Battery
92	196615	Harness Pigtail
93	192540	Screw Plastite 10-14 x 2.0
94	191834	Module Reverse ROS
99	17670412	Screw 1/4-20 x 7/8 x 16 Ga.
100	19091416	Washer 9/32 x 7/8 x 16 Ga.

NOTE: All component dimensions give in U.S. inches
1 inch = 25.4 mm

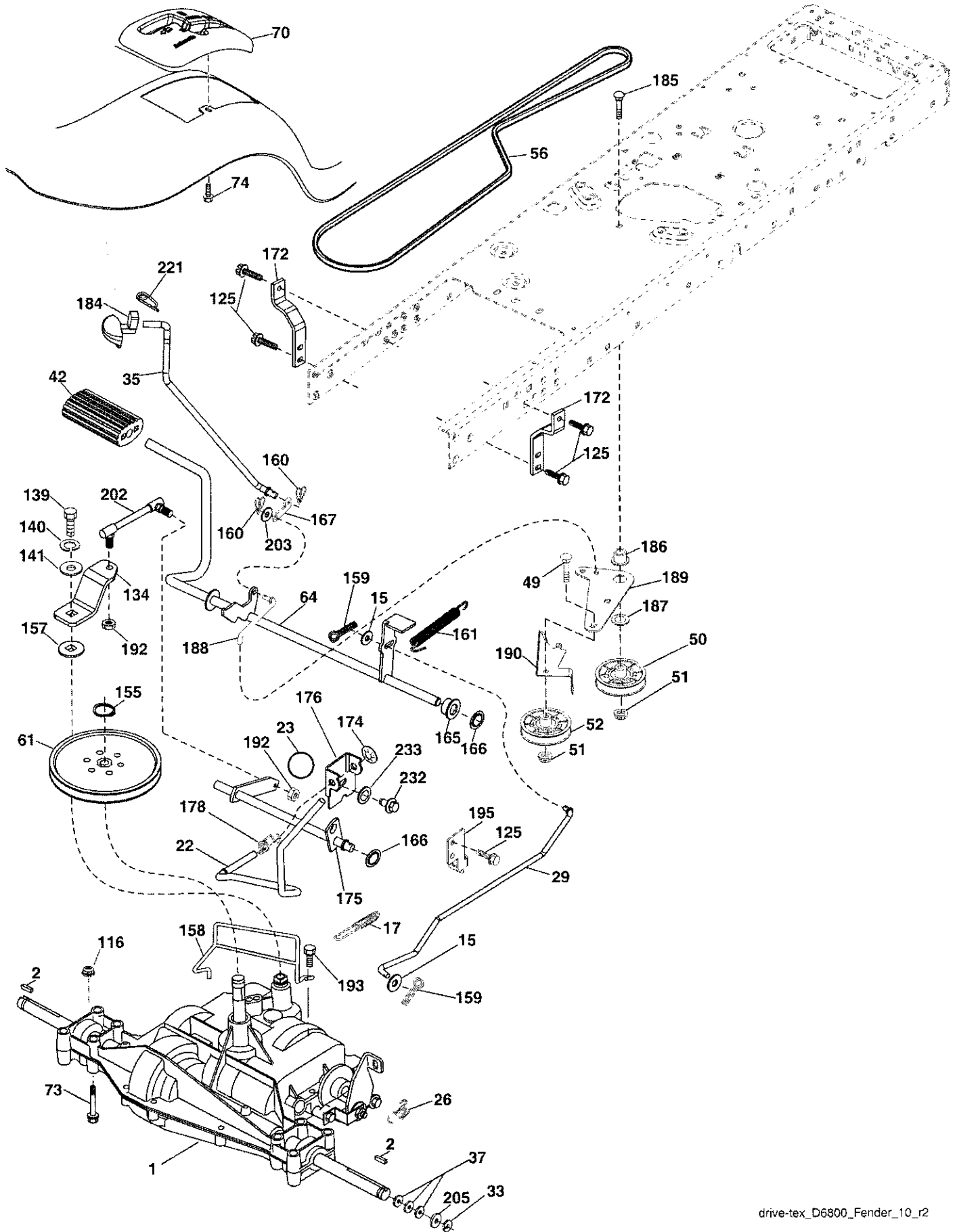
TRACTOR - - MODEL NUMBER 917.253230
CHASSIS AND ENCLOSURES

KEY NO.	PART NO.	DESCRIPTION
2	412282	Drawbar
5	407235X428	Dash
14	404654X612	Hood
18	405013	Grille
36	17060512	Screw 5/16-18m x 3/4
37	414870X612	Fender
58	412280	Drawbar Upper
68	17490508	Screw THDROL 5/16-18 x 1/2
130	416358	Screw 10 x .750 BOS Thread
138	193224X428	Cupholder
150	199411	Duct Heat Hood
151	196332	Bracket Pivot
152	194329	Shield Browning/Debris
153	198965	Lens
159	17000612	Screw Hexwsh Thdrol 3/8-16 x 3/4
161	193229X428	Window Fuel
162	142432	Screw Hex Wsh Hi-Lo 1/4 x 1/2 unc
165	194330	Support Tank Rear
175	196304	Crossmember
176	400776	Screw 10-24 x 5/8 Wshd Qdrx
177	195227	Bushing Steering
180	194260	Chassis
181	193102X428	Bushing Mtg. Fender Crgo.
182	406859	Dash Lower
183	STD523112	Bolt Fin Hex 5/16-18 x 1-1/4
189	17000512	Screw 5/16-18 x 3/4
194	73900500	Nut Lock Hex Flange 5/16-18
195	401556X428	Plug Hole Dash Lower 12 Volt
196	414579	Console Asm. Deck Lift
202	198968X428	Vent Side Hood RH
203	198969X428	Vent Side Hood LH
207	198963	Bezel RH
208	198964	Bezel LH
217	409167	Rod Pivot Chassis
225	198962X612	Bumper
226	198967X428	Logo
228	195161	Stud Fastener
230	170165	Bolt Shoulder 5/16-18
235	406129	Spacer Fender
236	73930500	Nut Centerlock 5/16-18 unc
237	403704	Plug Mount Cargo
287	17600406	Screw Hex Washhead 1/4-20 x 3/8
- -	199783X428	Phone Holder

NOTE: All component dimensions give in U.S. inches
1 inch = 25.4 mm

TRACTOR -- MODEL NUMBER 917.253230

GROUND DRIVE



TRACTOR -- MODEL NUMBER 917.253230

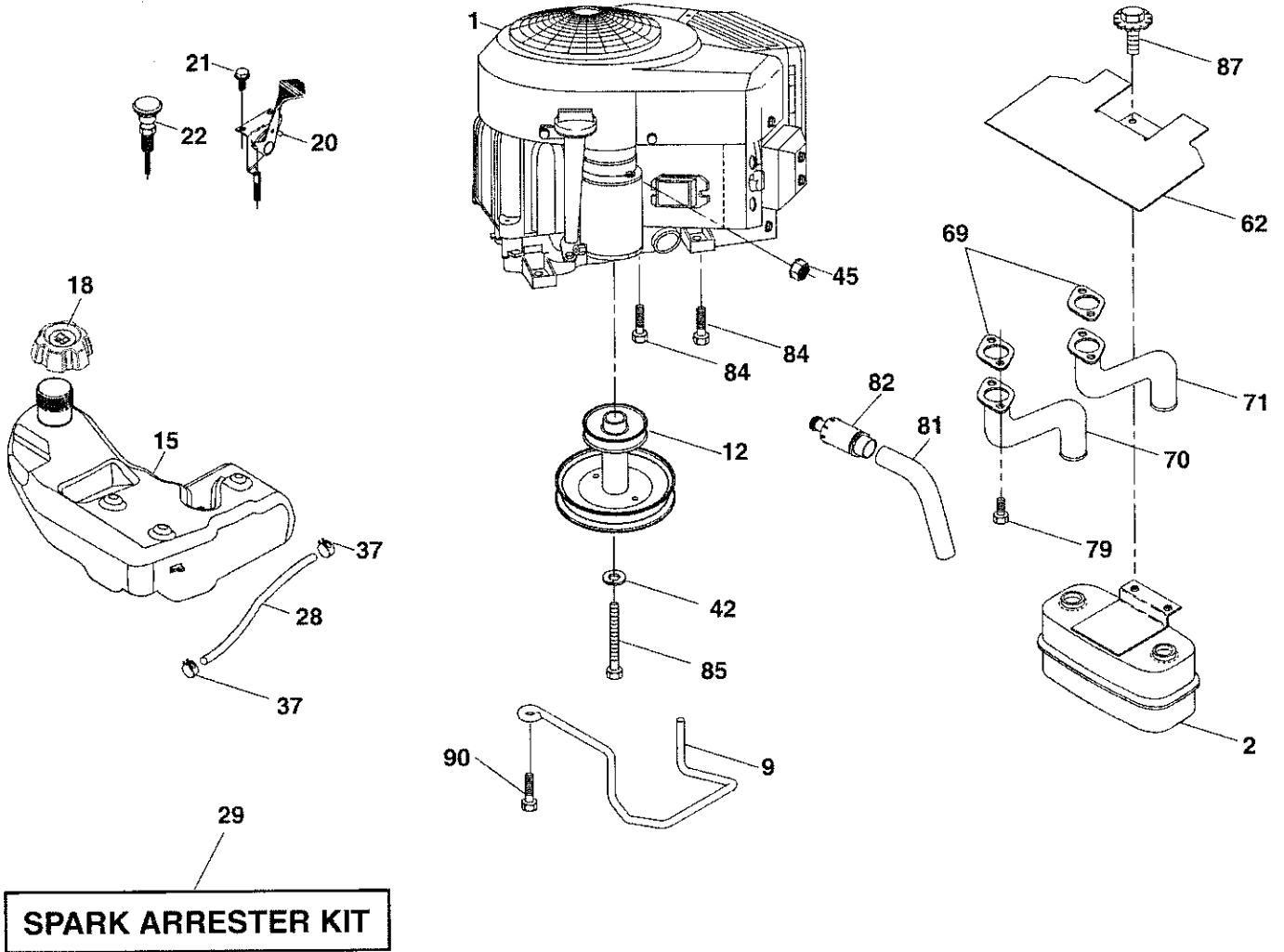
GROUND DRIVE

KEY NO.	PART NO.	DESCRIPTION	KEY NO.	PART NO.	DESCRIPTION
1	-----	Transaxle, DANA D6800-1 (See Transaxle Breakdown)	159	76020412	Pin Cotter 1/8 x 3/4
2	123583X	Key Square	160	169484	Retainer Clip
15	19131316	Washer 13/32 x 13/16 x 16 Ga.	161	105709X	Spring, Return, Clutch
17	197297	Spring, Brake	165	196212	Bushing Shaft Brake Hand Control
22	197660	Rod Shift	166	197290	Nut Push .625
23	106933X	Knob	167	405257	Latch Brake Parking
26	197455	Spring Brake RTN	172	197657	Strap Torque LH
29	197267	Rod, Brake	174	197289	Nut Push
33	12000001	Ring E	175	198981	Shaft Asm Shift
35	199591	Rod, Brake, Park	176	196214	Arm Clevis Rod Shift
37	121749X	Washer 25/32 x 1-1/4 x 16 Ga.	178	197456	Spring Shift
42	8883R	Cover, Foot Pedal	184	196439X505	Handle Parking Brake
49	72110614	Bolt	185	72110620	Bolt
50	194327	Pulley Idler Flat	186	194321	Spacer Retainer
51	73900600	Lock Nut 3/8-16	187	19133210	Washer
52	194326	Idler V-Groove 910 OFFSET	188	194323	Link Clutch Ground Drive
56	411245	V-Belt, Drive	189	194317	Bellcrank Ground Drive
61	123666X	Pulley Transaxle	190	194318	Keeper Bellcrank Ground Drive
64	196200	Shaft Asm. Pedal Brake Control	192	150360	Nut Lock Center 1/4-28
70	193225X428	Console	193	17060512	Screw 5/16-18 x 3/4
73	74490544	Bolt Hex FIGHD 5/16-18	195	197332	Bracket Brake Rod
74	142432	Screw 1/4 x 1/2	202	199589	Link Transaxle
116	73900500	Nut Lock Hex Flange 5/16-18	203	19111116	Washer 11/32 x 11/16 x 16 Ga.
125	17000512	Screw 5/16-18 x 3/4	205	121748X	Washer 25/32 x 1-5/8 x 16 Ga.
134	402430	Arm Shift	221	403178	Retainer Spring Clip Handle
139	74550412	Bolt 1/4-20 unf Gr. 8 w/Patch	232	74780716	Bolt Fin Hex 7/16-14 x 1 Gr. 5
140	10040400	Washer Lock Hvy Helical 1/4	233	405296	Washer Serrated
141	19091210	Washer 9/32 x 3/4 x 10 Ga.			
155	12000028	Ring Retainer			
157	105701X	Washer Plate Shf			
158	194352	Keeper T/A			

NOTE: All component dimensions give in U.S. inches
1 inch = 25.4 mm

TRACTOR - - MODEL NUMBER 917.253230

ENGINE



engine-tex_bs-2cyl_5_r1

TRACTOR - - MODEL NUMBER 917.253230

ENGINE

KEY NO.	PART NO.	DESCRIPTION
1	-----	Engine Briggs Model No. 445677-0758-E1 (See Engine Breakdown)
2	149723	Muffler
9	194319	Keeper Belt Engine
12	401985	Pulley Engine
15	400021	Tank Fuel
18	195951	Cap Asm
20	175437X428	Control Throttle
21	416358	Screw 10 x .750 BOS Thread
22	187767X428	Control Choke
28	8543R	Fuel Line
29	137180	Spark Arrester Kit
37	123487X	Clamp Hose
42	STD551143	Washer Lock 7/16
45	STD541425	Nut Keps Hex 1/4-20 unc
62	146629	Shield Heat Muffler
69	165391	Gasket
70	159955	Exhaust Tube LH
71	160589	Exhaust Tube RH
79	183906	Screw 5/16-18 x 1
81	148456	Tube Drain Oil Easy
82	181654	Plug Drain Oil
84	17060620	Screw 3/8-16 x 1-1/4
85	173937	Bolt 7/16-20 x 4 x Gr. 5-1.5
87	171877	Bolt 5/16-18 unc x 3/4 w/Sems
90	17000616	Screw 3/8-16 x 1

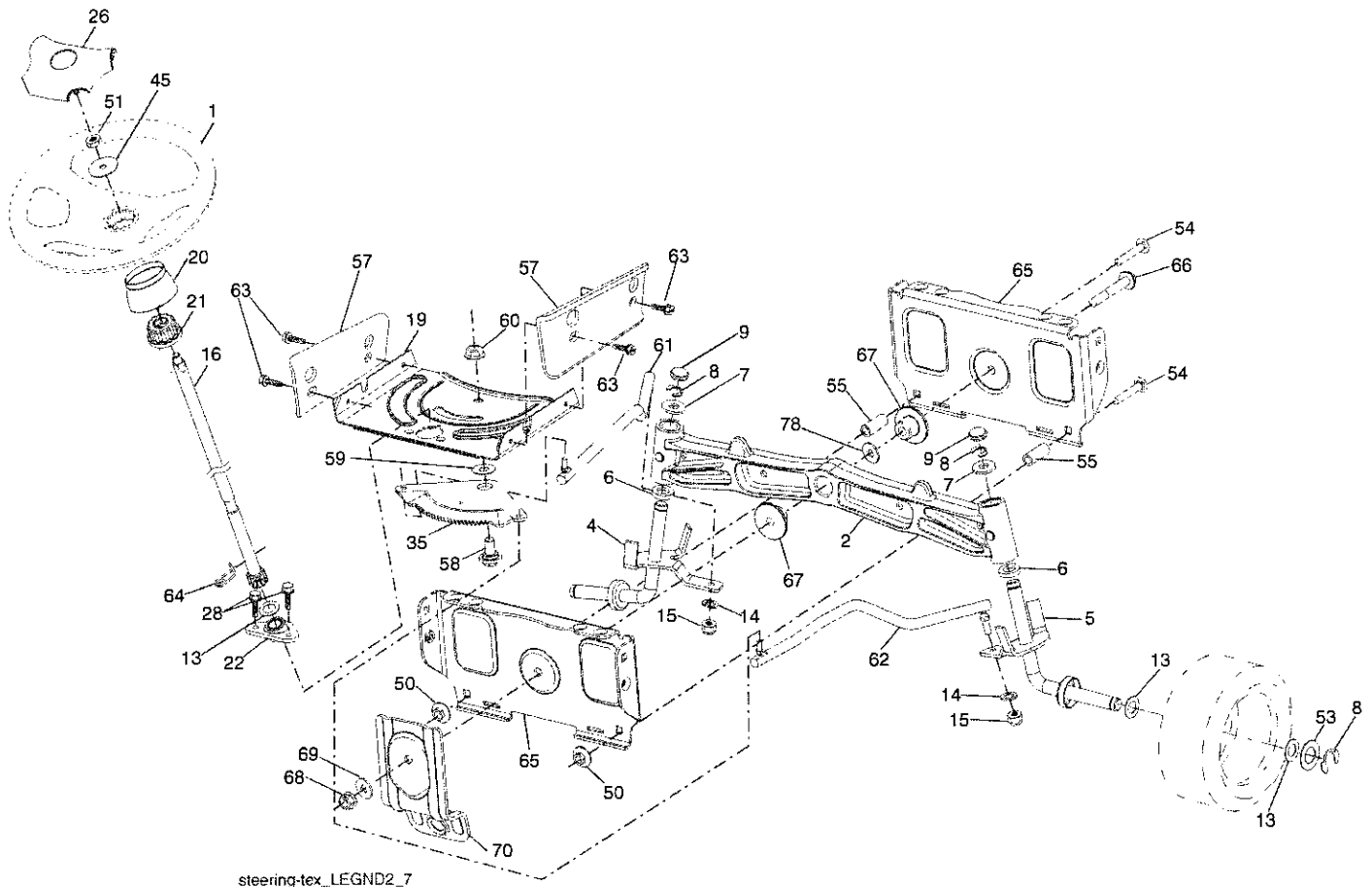
NOTE: All component dimensions give in U.S. inches
1 inch = 25.4 mm

Engine Power Rating Information

The gross power rating for individual gas engine models is labeled in accordance with SAE (Society of Automotive Engineers) code J11940 (Small Engine Power & Torque Rating Procedure), and rating performance has been obtained and corrected in accordance with SAE J1995 (Revision 2002-5). Actual gross engine power will be lower and is affected by, among other things, ambient operating conditions and engine-to-engine variability. Given both the wide array of products on which engines are placed and the variety of environmental issues applicable to operating the equipment, the gas engine will not develop the rated gross power when used in a given piece of power equipment (actual "on-site" or net horsepower). This difference is due to a variety of factors including, but not limited to, accessories (air cleaner, exhaust, charging, cooling, carburetor, fuel pump, etc.), application limitations, ambient operating conditions (temperature, humidity, altitude), and engine-to-engine variability. Due to manufacturing and capacity limitations, Briggs & Stratton may substitute an engine of higher rated power for this Series engine.

TRACTOR - - MODEL NUMBER 917.253230

STEERING ASSEMBLY



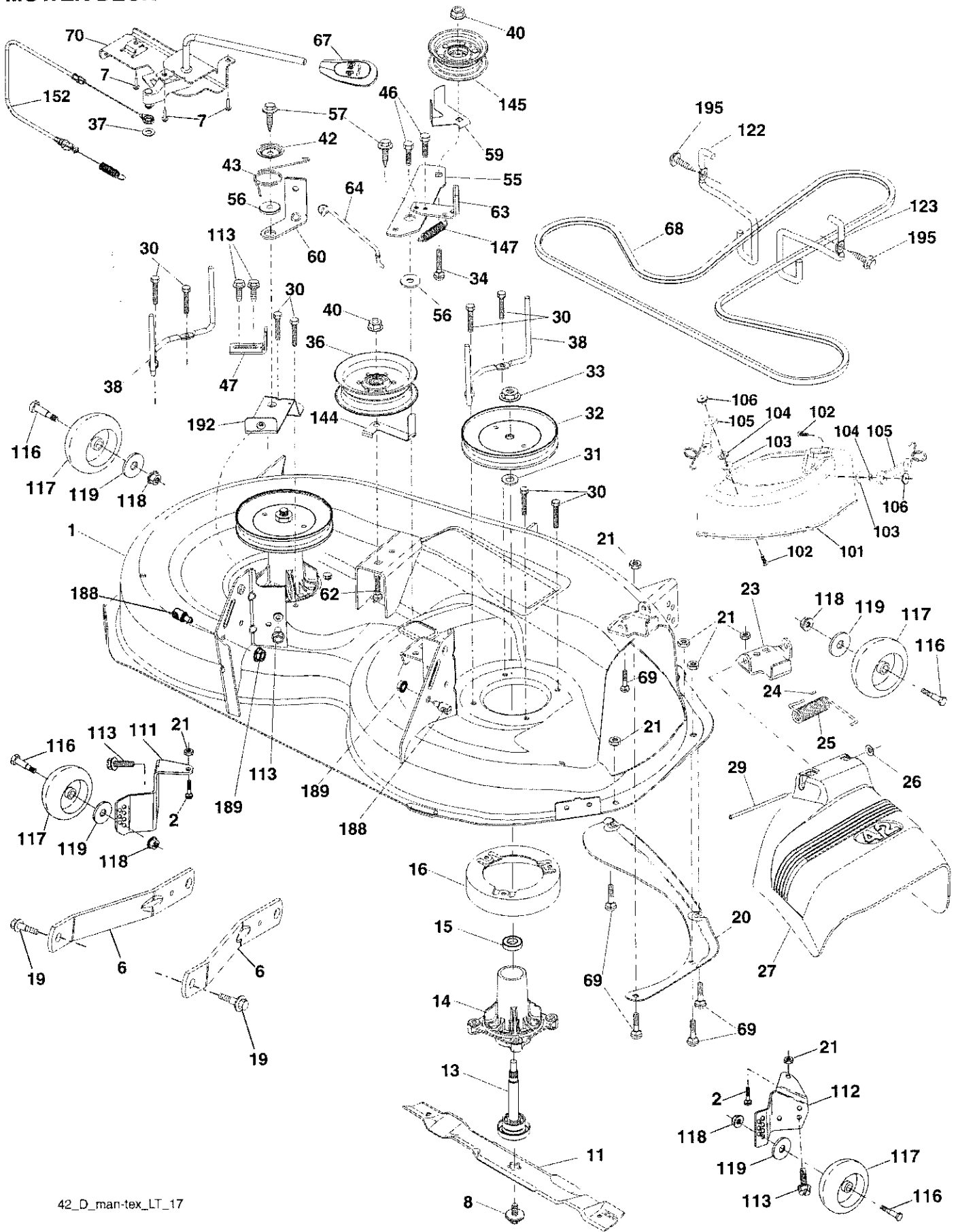
steering-tex_LEGND2_7

KEY NO.	PART NO.	DESCRIPTION	KEY NO.	PART NO.	DESCRIPTION
1	414851X428	Wheel, Steering	53	188967	Washer Hardened.793x1.637x.060
2	184706	Axle Asm., Front	54	STD523722	Bolt Hex 3/8-16 unc x 2-1/4
4	403087	Spindle Asm., LH	55	414736	Spacer Brace Axle
5	403088	Spindle Asm., RH	57	407465	Bracket Upstop
6	6266H	Bearing, Race Thrust Harden	58	194747	Bolt Shoulder Sector Pivot CFM
7	121748X	Washer 25/32 x 1-5/8 x 16 Ga.	59	194748	Washer Thrust Sector Steering
8	1200029	Ring, Clip #T5304-75	60	73971000	Nut Flange Lock 5/8-11
9	184946X505	Cap, Spindle	61	194740	Draglink LH
13	121749X	Washer 25/32 x 1-1/4 x 16 Ga.	62	194741	Draglink, RH
14	STD551137	Washer, Lock Hvy Hlcl Spr 3/8	63	17000512	Screw 5/16-18 x 3/4
15	73540600	Nut, Crown Lock 3/8-24 unf	64	199849	Retainer Clip Spring Steering
16	194746	Shaft Steering	65	194734	Brace Axle Front
19	194729	Plate Steering	66	71020748	Bolt Hex Fghd 7/16-14 x 3 Serr
20	199676X428	Boot, Steering	67	194737	Bushing PM Front Axle
21	186737	Adapter, Wheel Steering	68	73900700	Nut Lock Flange 7/16-14 Gr. 5
22	194845	Bushing, Strg. Blk	69	199162	Washer 1.5 x .505 x .118
26	414852X428	Insert, Wheel Steering	70	196197	Bracket Deck Susp. Front
28	17000612	Screw 3/8-16 x 3/4	78	57079	Washer, Thrust
35	194732	Gear, Sector Plate			
45	19183812	Washer 9/16 x 2-3/8 x 12 Ga.			
50	73900600	Nut Lock 3/8-16 unc			
51	STD541350	Nut Hex Jam Toplock 1/2-20 unf			

NOTE: All component dimensions give in U.S. inches
1 inch = 25.4 mm

TRACTOR -- MODEL NUMBER 917.253230

MOWER DECK



TRACTOR - - MODEL NUMBER 917.253230

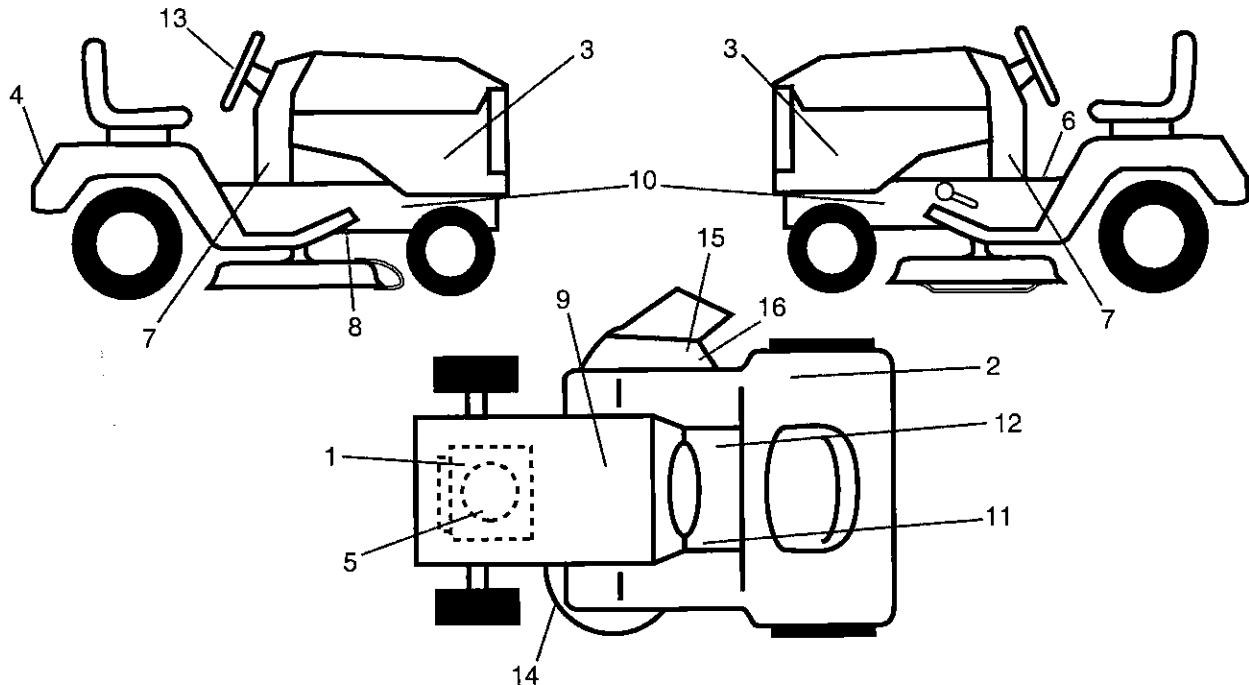
MOWER DECK

KEY NO.	PART NO.	DESCRIPTION	KEY NO.	PART NO.	DESCRIPTION
1	196495	Deck Weldment Mower	64	199790	Link Brake Asm
2	72140506	Bolt 5/16-18 x 3/4	67	198398X428	Handle Clutch Cable
6	195186	Arm Suspension	68	197253	V-Belt
7	416358	Screw 10 x .750 BOS Thread	69	STD533106	Bolt RDHD SQNK 5/16-18 x 5/8
8	193003	Bolt/Washer Asm 7/16-20 unf	70	199972	Clutch Asm Manual
11	134149	Blade Mulching Std.	101	193107	Cover Mulching
13	192872	Shaft Assembly, Mandrel	102	71081010	Screw Pan HD Phillip 10-24 x 5/8
14	187281	Housing, Mandrel	103	19061216	Washer #10
15	110485X	Bearing, Ball, Mandrel	104	10071000	Washer Lock #10
16	174493	Stripper, Mower Deck	105	160793	Latch Asm. Mulch
19	196539	Bolt, Shoulder	106	2029J	Nut Weld .327/.304 #10-24
20	159770	Baffle, Vortex	111	404784	Bracket Wheel Gauge LH
21	STD541431	Nut, Crownlock 5/16-18 unc	112	404785	Bracket Wheel Gauge RH
23	192557	Bracket, Deflector	113	17000510	Bolt 5/16-18
24	105304X	Cap, Sleeve	116	4898H	Bolt, Shoulder
25	197026	Spring, Torsion, Deflector	117	188606	Wheel, Gauge
26	110452X	Nut, Push	118	STD541437	Nut, Lock 3/8-16
27	193108X428	Shield, Deflector	119	STD551037	Washer 3/8 x 7/8 x 14 Ga.
29	131491	Rod, Hinge	122	197258	Keeper Belt Engine LH
30	173984	Screw Thdrol Rolling Wsh Hd	123	197259	Keeper Belt Engine RH
31	187690	Washer, Spacer	144	199204	Keeper Belt
32	197473	Pulley, Mandrel	145	193197	Pulley Idler Primary
33	400234	Nut, Toplock, Flanged	147	401971	Spring Return
34	72110612	Bolt Carr Sh. 3/8-16 x 1-1/2 Gr. 5	152	408714	Manual Clutch Cable
36	197379	Pulley, Idler, 4.50	188	195161	Stud Fastener
37	STD551037	Washer	189	73900500	Nut Lock Hex Flange
38	199189	Keeper Belt LH Mandrel	192	197260	Bracket Brake Stand LH
40	73900600	Nut, Lock Flg. 3/8-16 unc	195	17000612	Screw Hex Wsh Thdr 3/8-16 x 3/4
42	198410	Spring Torsion Brake	--	192870	Mandrel Assembly (Includes hous- ing, shaft assembly, and bearing only - pulley/nut/washer and blade bolt/washers not included)
43	197256	Spring Torsion Retainer	--	405094	Replacement Mower, Complete
46	137729	Screw Thd Roll 1/4-20 x 5/8			
47	197250	Bracket Clutch Cable			
55	197249	Arm, Idler			
56	199092	Spacer, Retainer			
57	17000616	Screw 3/8-16 x 1			
59	141043	Guard, Tuv Idler			
60	197261	Arm Brake Mower			
62	72110616	Bolt Rd Hd Sq Nk 3/8-16 unc x 2			
63	199477	Arm Brake Mower			

NOTE: All component dimensions give in U.S. inches
1 inch = 25.4 mm

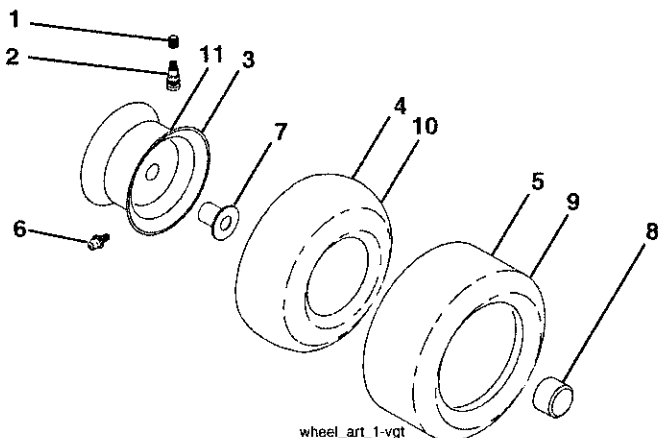
TRACTOR -- MODEL NUMBER 917.253230

DECALS



KEY NO.	PART NO.	DESCRIPTION	KEY NO.	PART NO.	DESCRIPTION
1	196841	Decal, Warning Eng. Syms.	12	140837	Decal, Saddle Brake Parking
2	180432	Decal, Fender 100 DB/CE	13	420121	Decal, Steering Wheel
3	410546	Decal, Side Panel	14	160396	Decal, Mower Schematic
4	411697	Decal, Fender	15	182166	Decal, Cutfinger CE 02
5	420133	Decal, Engine HP	16	196357	Decal, Deflect Wrn Cutfinger Sym
6	400389	Decal, Fender Operator's	--	193227X428	Pad Footrest RH
7	403412	Decal, Lower Dash	--	193226X428	Pad Footrest LH
8	199096	Decal, V-Belt Schematic	--	420009	Manual, Operator's (EURO)
9	145005	Decal, Battery Dnge/Poi	--	420010	Manual, Operator's (SCAN)
10	159736	Decal, Chassis Hot Muffler	--	420011	Manual, Operator's (E-BLOC)
11	159737	Decal, Brake/Clutch Symbol	--	420012	Manual, Operator's (BALTIC)
			--	420015	Manual, Parts

WHEELS & TIRES

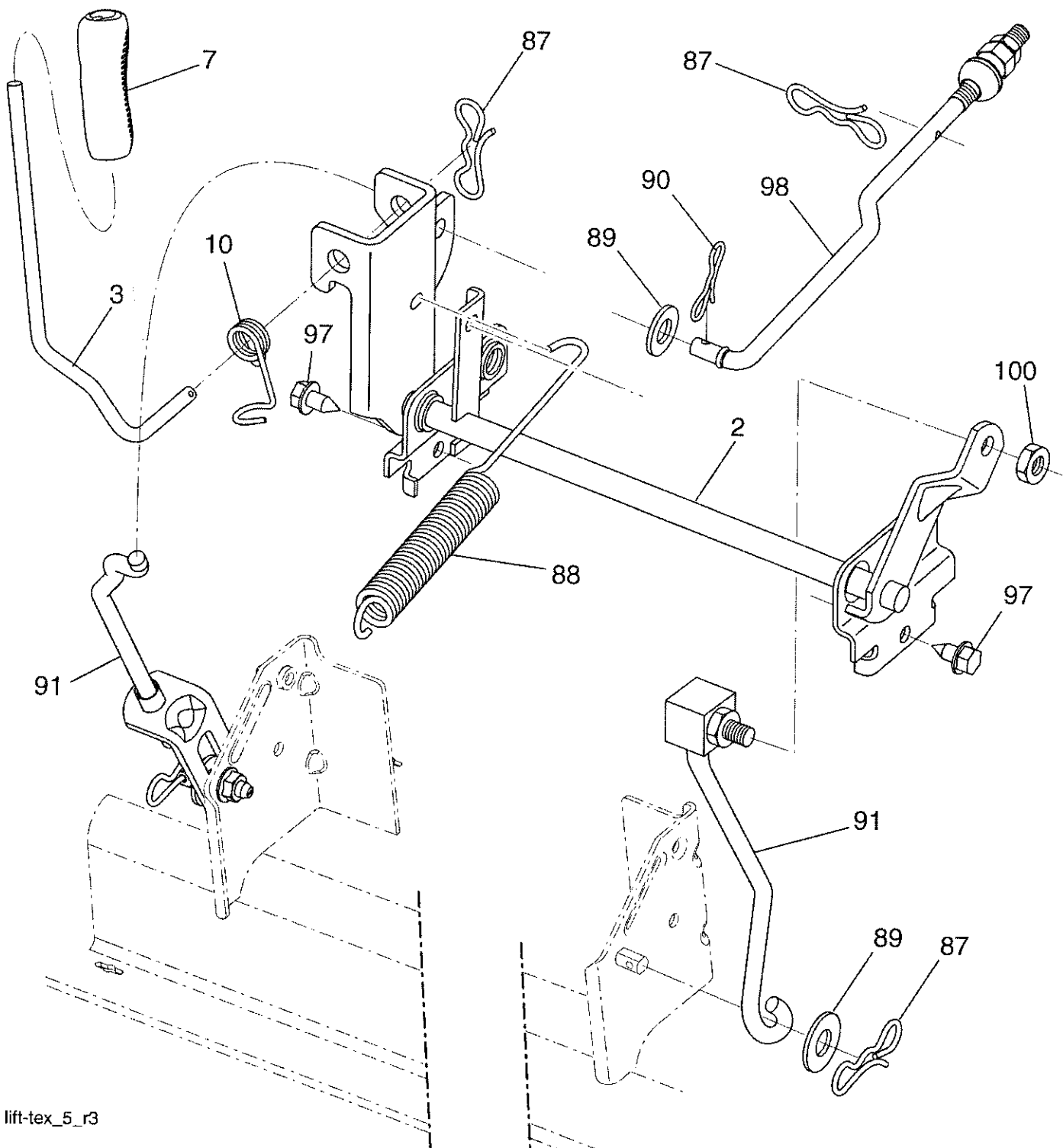


KEY NO.	PART NO.	DESCRIPTION
1	59192	Cap, Valve, Tire
2	65139	Stem, Valve
3	106732X624	Rim Assembly, Front
4	59904	Tube, Front
5	106222X	Tire, Front
6	278H	Fitting, Grease
7	9040H	Bearing, Flange
8	104757X428	Cap, Axle (Front Wheel Only)
9	106268X	Tire, Rear
10	7152J	Tube, Rear
11	106108X624	Rim Assembly, Rear
--	144334	Sealant, Tire (10 oz. Tube)

NOTE: All component dimensions give in U.S. inches
1 inch = 25.4 mm

TRACTOR -- MODEL NUMBER 917.253230

LIFT ASSEMBLY



lift-tex_5_r3

KEY NO.	PART NO.	DESCRIPTION
2	195223	Shaft Asm., Lift
3	195231	Lever Asm., Lift RH
7	196492X428	Grip, Lever
10	196314	Spring Torsion
87	194209	Pin Cotter 7/16 Bow Tie Lock
88	410710	Spring Lift Assist
89	19191912	Washer Clear Zinc
90	194208	Pin Cotter 5/16 Bow Tie Lock

KEY NO.	PART NO.	DESCRIPTION
91	195181	Link Asm. Lift Rear
97	17000612	Screw Hexwsh Thdrl. 3/8-16 x 3/4
98	195270	Link Lift Susp. Front Mower
100	73930600	Nut Centerlock 3/8-16 unc

NOTE: All component dimensions give in U.S. inches
1 inch = 25.4 mm