

REPAIR PARTS MANUAL
MODEL NO. 253220
Lawn Tractor

CRAFTSMAN®

HOW TO USE THIS MANUAL

This manual is designed to provide the customer with a means to identify the parts on his/her tractor when ordering repair parts. The illustrations may or may not represent the actual assemblies; therefore, it is not recommended to use this manual as a guide to assemble or disassemble the tractor. Some hardware and parts are drawn larger in order to more readily identify them.

Each tractor has its own model number.

The model number for your tractor can be found on the fender under the seat.

When ordering parts, always give the following information:

- Product - Lawn Tractor
- MODEL NUMBER - **253220**
- Part Number
- Part Description

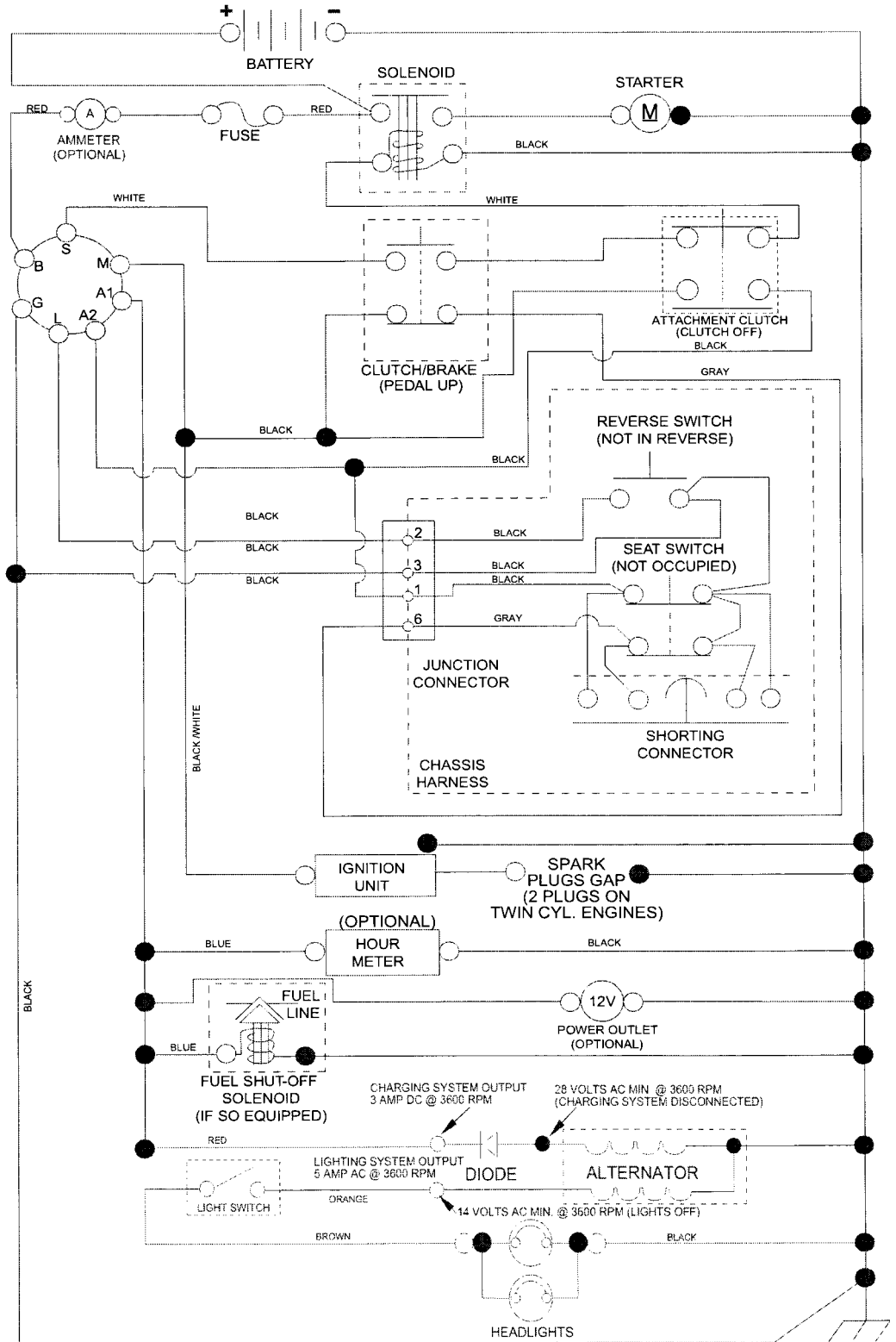
TABLE OF CONTENTS

SCHEMATIC	3
ELECTRICAL.....	4-5
CHASSIS	6-7
DRIVE.....	8-9
ENGINE.....	10-11
STEERING	12
SEAT	13
MOWER DECK	14-15
DECALS.....	16
MOWER LIFT.....	17
WARRANTY.....	BACK PAGE

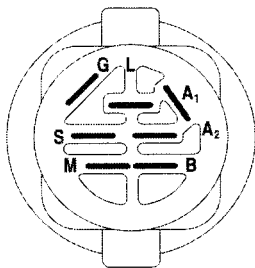
TRACTOR -- MODEL NUMBER 917.253220

SCHEMATIC

SCH11

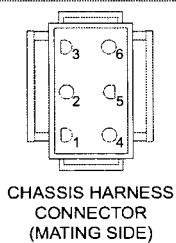


NOTE
 YOUR TRACTOR IS EQUIPPED WITH A SPECIAL ALTERNATOR SYSTEM. THE LIGHTS ARE NOT CONNECTED TO THE BATTERY, BUT HAVE THEIR OWN ELECTRICAL SOURCE. BECAUSE OF THIS, THE BRIGHTNESS OF THE LIGHTS WILL CHANGE WITH ENGINE SPEED. AT IDLE THE LIGHTS WILL DIM. AS THE ENGINE IS SPEEDED UP, THE LIGHTS WILL BECOME THEIR BRIGHTEST.

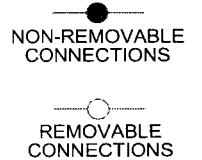


IGNITION SWITCH

POSITION	CIRCUIT	"MAKE"
OFF	M+G+A1	
RUN/OVERRIDE	B+A1	
RUN	B+A1	L+A2
START	B + S + A1	

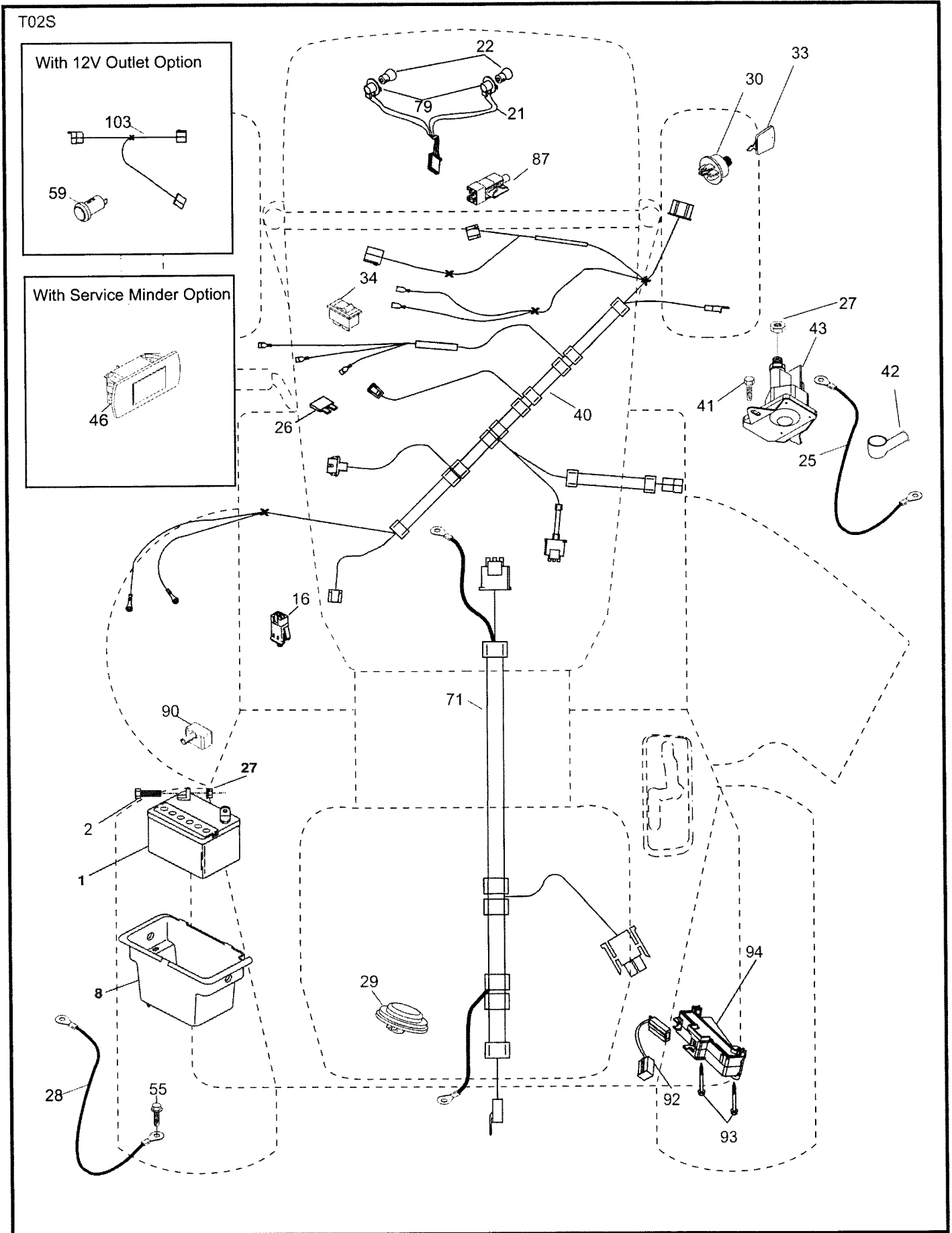


WIRING INSULATED CLIPS
 NOTE: IF WIRING INSULATED CLIPS WERE REMOVED FOR SERVICING OF UNIT, THEY SHOULD BE RE-INSTALLED TO PROPERLY SECURE YOUR WIRING.



TRACTOR -- MODEL NUMBER 917.253220

ELECTRICAL



TRACTOR - - MODEL NUMBER 917.253220**ELECTRICAL**

KEY NO.	PART NO.	DESCRIPTION
1	163465	Battery
2	74760412	Bolt Hex Hd 1/4-20 unc x 3/4
8	193228	Box Battery
16	176138	Switch Interlock Push-In
21	400252	Harness Socket Light w/4152J
22	4152J	Bulb Light
25	412894	Cable Starter
26	175158	Fuse
27	73510400	Nut Keps Hex 1/4-20 unc
28	198885	Cable, Ground
29	401545	Switch, Seat
30	193350	Switch, Ign
33	411934	Key/Chain
34	110712X	Switch Light / Reset
40	401098	Harness Ign. Dash
41	17720408	Screw Thd Cut 1/4-20 x 1/2
42	131563	Cover, Terminal
43	192507	Solenoid
55	17060512	Screw Thdrol 5/16-18 x 3/4 TYTT
71	400449	Harness Ign.
79	175242	Bulbholder Asm. Incandescent
87	197802	Switch Interlock Clutch Cable
90	400725	Cover Terminal Battery
92	196615	Harness Pigtail
93	192540	Screw Plastite 10-14 x 2.0
94	191834	Module Reverse ROS

NOTE: All component dimensions give in U.S. inches
1 inch = 25.4 mm

TRACTOR - - MODEL NUMBER 917.253220

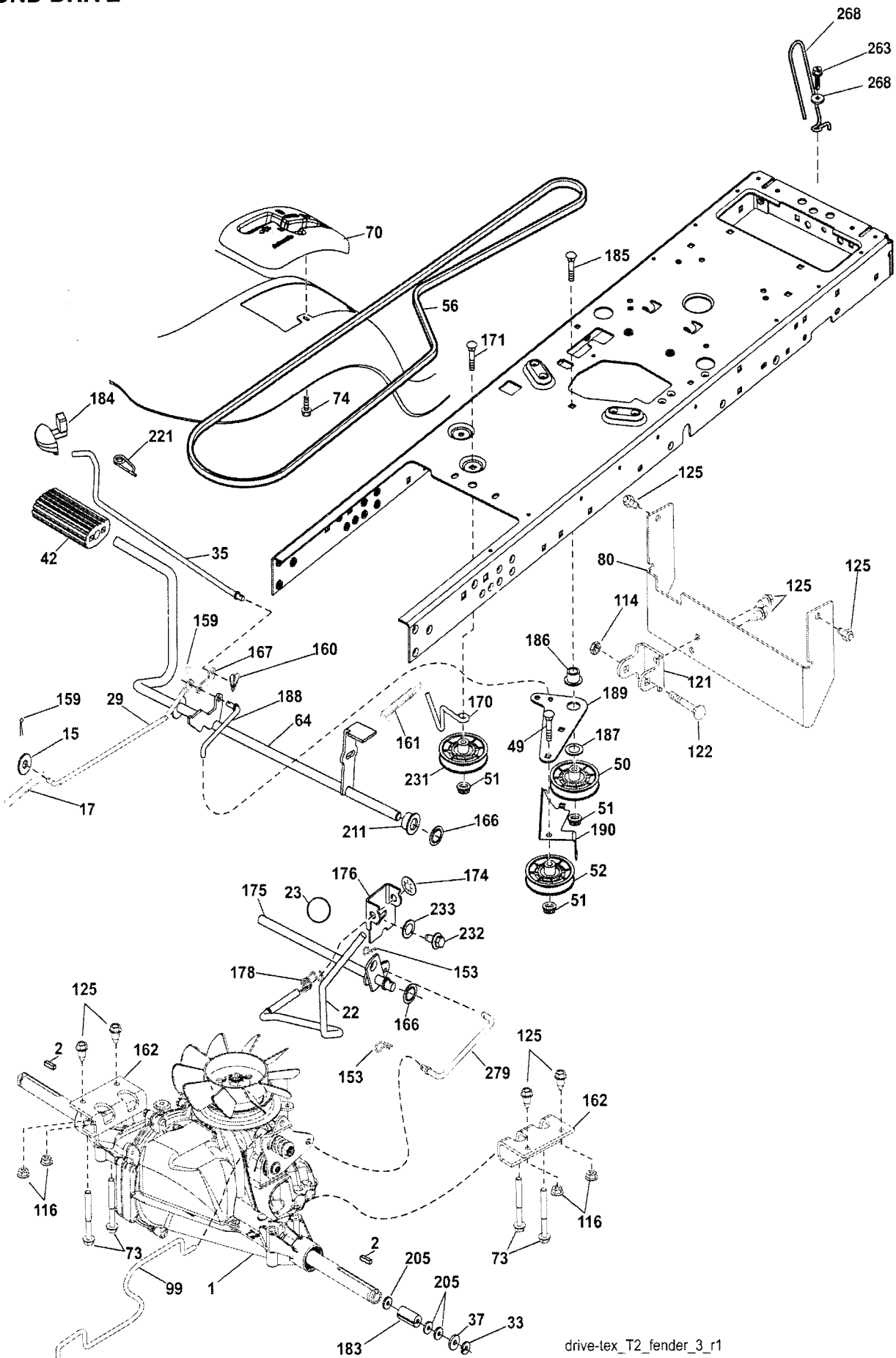
CHASSIS ASSEMBLY

KEY NO.	PART NO.	DESCRIPTION
2	194263	Drawbar
5	408874X428	Dash
14	198416X615	Hood
18	400551	Grille
36	17060512	Screw 5/16-18 x 3/4
37	414872X615	Fender
68	17490508	Screw Thdrol 5/16-18 x 1/2
130	416358	Screw 10 x .750 BOS Thread
138	193224X428	Cupholder
150	400267	Duct Heat Hood
151	187568	Bracket Pivot
152	194329	Shield Browning/Debris
153	400550X599	Lens Bar
159	17000612	Screw Hexwsh Thdrol 3/8-16 x 3/4
162	142432	Screw Hex Wsh Hi-Lo 1/4 x 1/2
175	199472	Crossmember
176	400776	Screw 10-24 x 5/8 Wshd Qdrx
177	195228	Bushing Steering
180	194260	Chassis
181	193102X428	Bushing Mtg. Fender Crgo.
182	407176	Dash Lower
183	74780520	Bolt Fin Hex 5/16-18 x 1-1/4
191	401827	Reflector Insert RH
194	73900500	Nut Lock Hex Flange 5/16-18
196	414579	Console Asm. Deck Lift
202	400263X428	Vent Side Hood RH
203	400264X428	Vent Side Hood LH
217	409167	Rod Pivot Chassis
225	400549X615	Bumper
228	195161	Stud Fastener
230	170165	Bolt Shoulder 5/16-18
235	406129	Spacer Fender
236	73930500	Nut center Lock 5/16-18
237	403704	Plug Mount Cargo
287	17600406	Screw Hex Washhead 1/4-20 x 3/8
297	416500	Reflector Insert RH

NOTE: All component dimensions give in U.S. inches
1 inch = 25.4 mm

TRACTOR -- MODEL NUMBER 917.253220

GROUND DRIVE



drive-tex_T2_fender_3_r1

TRACTOR - - MODEL NUMBER 917.253220

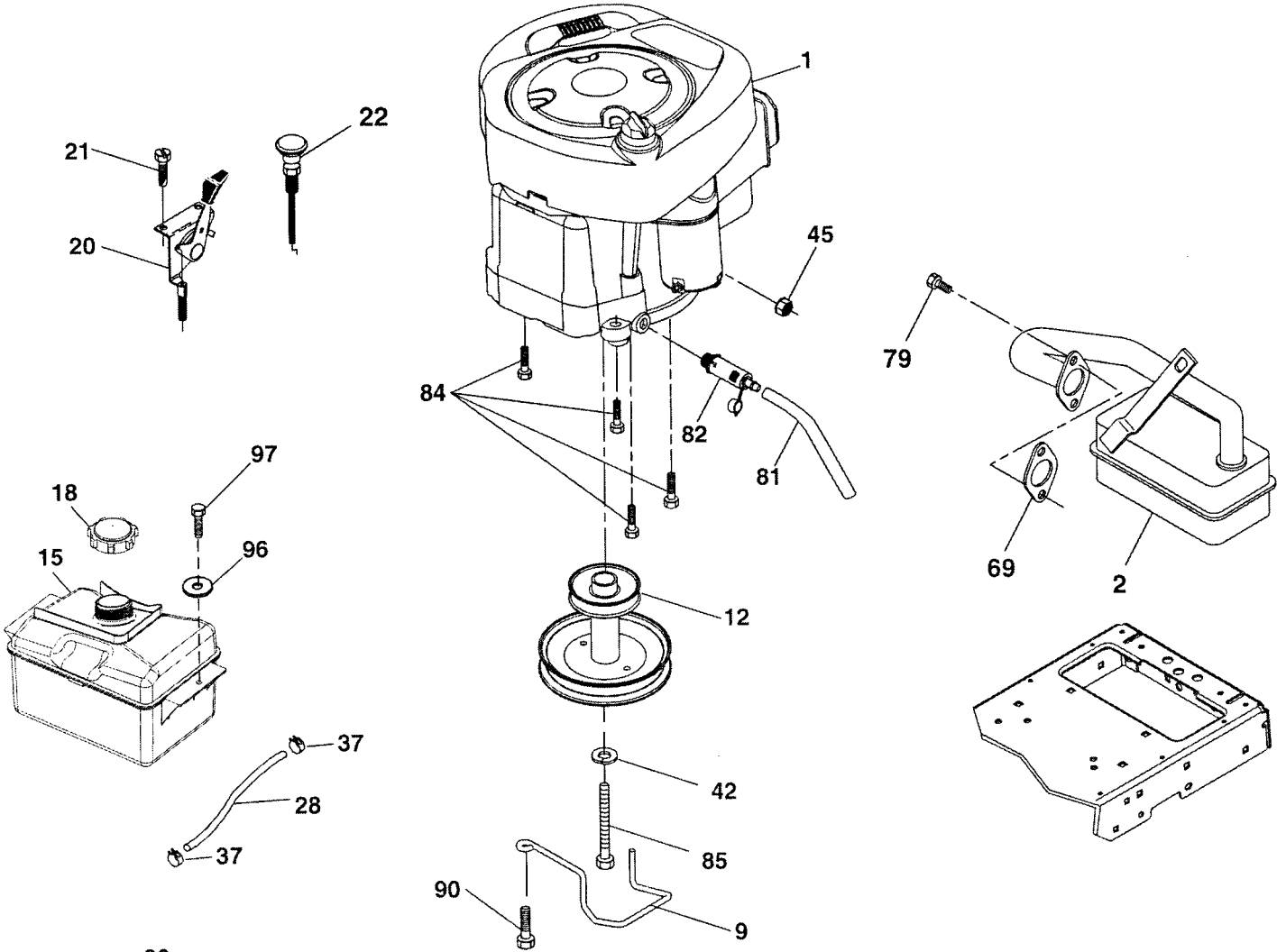
GROUND DRIVE

KEY NO.	PART NO.	DESCRIPTION	KEY NO.	PART NO.	DESCRIPTION
1	418219	Transaxle, Hydro Gear T2 (See Transaxle Breakdown)	161	105709X	Spring, Return, Clutch
2	123583X	Key Square	162	408784	Adapter Transaxle
15	19131316	Washer 13/32 x 13/16 x 16 Ga.	166	197290	Nut Push .625
17	197296	Spring, Brake	167	405257	Latch Brake Parking
22	197660	Rod Shift	170	413430	Keeper V-Idler
23	130564	Knob	171	72110622	Bolt
29	408391	Rod, Brake	174	197289	Nut Push
33	12000001	Ring E	175	408539	Shaft Asm Shift
35	401031	Rod, Brake, Park	176	196214	Arm Clevis Rod Shift
37	121749X	Washer 25/32 x 1-1/4 x 16 Ga.	178	197456	Spring Shift
42	8883R	Cover, Foot Pedal	184	199996X505	Handle Parking Brake
49	72110614	Bolt	185	72110620	Bolt
50	194327	Pulley Idler Flat	186	194321	Spacer Retainer
51	73900600	Lock Nut 3/8-16	187	19133210	Washer
52	194326	Idler V-Groove 910" Offset	188	194323	Link Clutch Ground Drive
56	125907X	V-Belt, Drive	189	194317	Bellcrank Ground Drive
64	196200	Shaft Asm. Pedal Brake Control	190	194318	Keeper Bellcrank Ground Drive
70	193220X428	Console	205	121748X	Washer 25/32 x 1-5/8 x 16 Ga.
73	74490544	Bolt Hex 5/16-18 Gr. 5	211	196212	Bushing
74	142432	Screw 1/4 x 1/2	221	403187	Retainer Spring Clip Handle
80	408393	Strap Torque	231	407287	Idler V-Groove 1.688" Offset
99	408418	Rod Spring Bypass	232	74780716	Bolt 7/16-14 x 1 Gr 5
114	73800500	Nut Lock 5/16-18 unc	233	405296	Washer Serrated
116	73900500	Nut Lock Hex Flange 5/16-18	263	17000612	Screw Hexwsh Thdr 3/8-16 x 3/4
121	175611	Bracket Strap Torque	268	182402	Guard Muffler
122	72010520	Bolt 5/16-18 x 2.50	275	19131614	Washer 13/32 x 1 x 14 Ga.
125	17000512	Screw 5/16-18 x 3/4	279	408538	Link Shift
153	4497H	Retainer Spring 1"			
159	76020412	Pin Cotter 1/8 x 3/4			
160	169484	Retainer Clip			

NOTE: All component dimensions give in U.S. inches
1 inch = 25.4 mm

TRACTOR - - MODEL NUMBER 917.253220

ENGINE



OPTIONAL EQUIPMENT
Spark Arrester

engine-tex_BS_5

TRACTOR - - MODEL NUMBER 917.253220

ENGINE

KEY NO.	PART NO.	DESCRIPTION
1	-----	Engine B&S Model No. 31P977-1094-B1(See Engine Breakdown)
2	137352	Muffler
9	194319	Keeper Belt Engine
12	401985	Pulley Engine
15	407545	Tank Fuel
18	197725	Cap Asm
20	176636X428	Control Throttle/Choke
21	416358	Screw 10 x 3/4 Single Lead-Hex
22	187771X428	Control Choke
28	137040	Fuel Line
29	137180	Spark Arrester Kit
37	123487X	Clamp Hose
42	STD551143	Washer Lock 7/16
45	73510400	Nut Keps Hex 1/4-20 unc
69	165291	Gasket
79	192334	Screw Socket Hd 5/16-18 x .75
81	148456	Tube Drain Oil Easy
82	181654	Plug Drain Oil
84	17060620	Screw 3/8-16 x 1-1/4
85	173937	Bolt Hex 7/16-20 x 4 x Gr. 5-1.5
90	17000616	Screw 3/8-16 x 1.0
96	19091416	Washer 9/32 x 7/8 x 16 Ga.
97	17670412	Screw 1/4-20 x 3/4

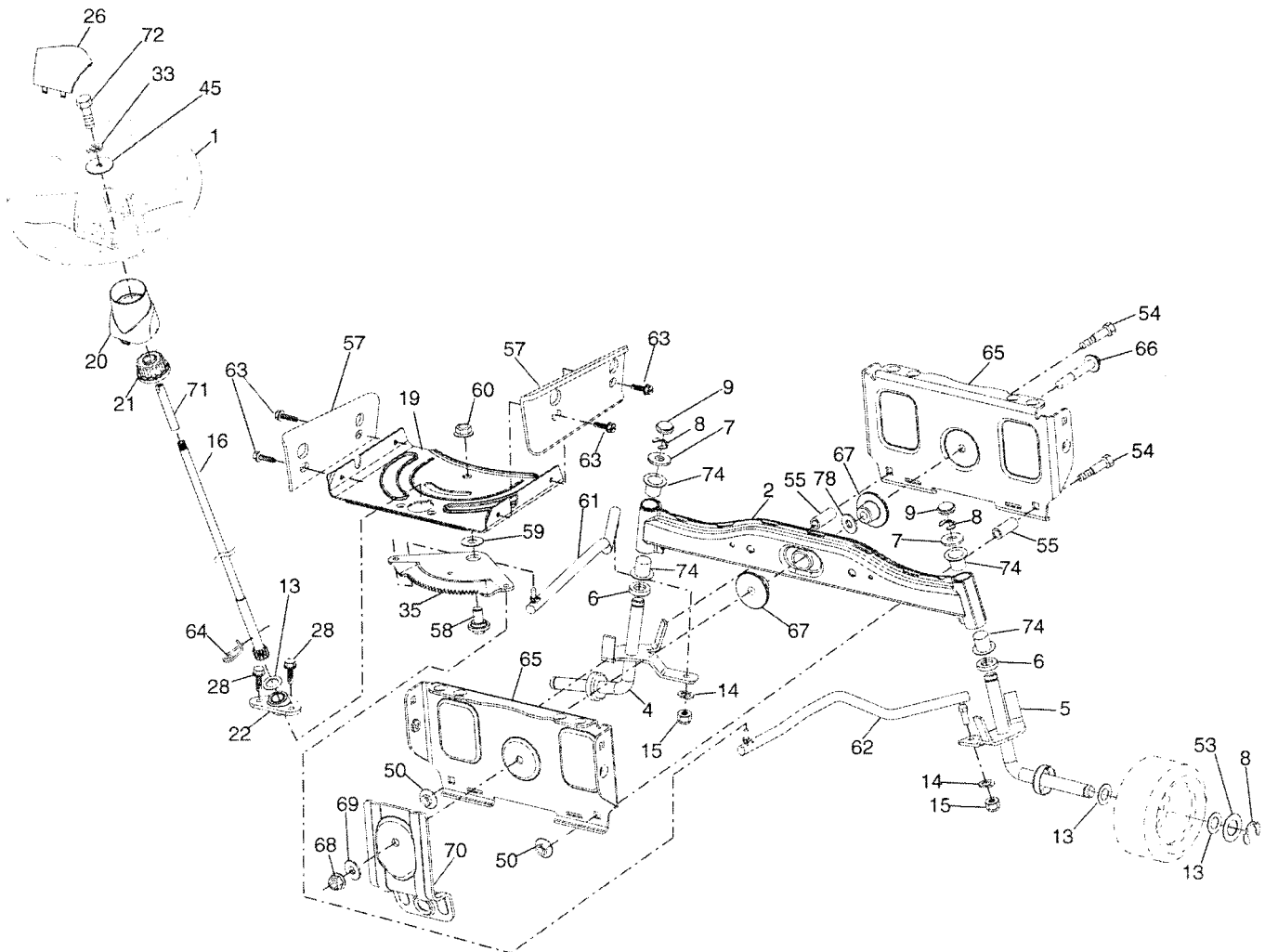
NOTE: All component dimensions give in U.S. inches
1 inch = 25.4 mm

Engine Power Rating Information

The gross power rating for individual gas engine models is labeled in accordance with SAE (Society of Automotive Engineers) code J11940 (Small Engine Power & Torque Rating Procedure), and rating performance has been obtained and corrected in accordance with SAE J1995 (Revision 2002-5). Actual gross engine power will be lower and is affected by, among other things, ambient operating conditions and engine-to-engine variability. Given both the wide array of products on which engines are placed and the variety of environmental issues applicable to operating the equipment, the gas engine will not develop the rated gross power when used in a given piece of power equipment (actual "on-site" or net horsepower). This difference is due to a variety of factors including, but not limited to, accessories (air cleaner, exhaust, charging, cooling, carburetor, fuel pump, etc.), application limitations, ambient operating conditions (temperature, humidity, altitude), and engine-to-engine variability. Due to manufacturing and capacity limitations, Briggs & Stratton may substitute an engine of higher rated power for this Series engine.

TRACTOR - - MODEL NUMBER 917.253220

STEERING ASSEMBLY



steering-tex_OPP_1

KEY NO.	PART NO.	DESCRIPTION	KEY NO.	PART NO.	DESCRIPTION
1	414851X428	Wheel, Steering	55	414736	Spacer Brace Axle
2	418168	Axle Asm., Front	57	407465	Bracket Upstop
4	403087	Spindle Asm., LH	58	194747	Bolt Shoulder Sector Pivot CFM
5	403088	Spindle Asm., RH	59	194748	Washer Thrust Sector Steering
6	6266H	Bearing, Race Thrust Harden	60	73971000	Nut Flange Lock 5/8-11
7	121748X	Washer 25/32 x 1-5/8 x 16 Ga.	61	194740	Draglink, LH
8	12000029	Ring, Clip #T5304-75	62	194741	Draglink, RH
9	121232X	Cap, Spindle	63	17000512	Screw 5/16-18 x 3/4
13	121749X	Washer 25/32 x 1-1/4 x 16 Ga.	64	199849	Retainer Clip Spring Steering
14	STD551137	Washer, Lock Hvy Hlcl Spr 3/8	65	194734	Brace Axle Front
15	73540600	Nut, Crown Lock 3/8-24 unf	66	71020748	Bolt Hex Fghd 7/16-14 x 3 Serr
16	196074	Shaft Steering	67	194737	Bushing PM Front Axle
19	194729	Plate Steering	68	73900700	Nut Lock Flange 7/16-14 Gr. 5
20	400803X428	Boot, Steering	69	199162	Washer 1.5 x .505 x .118
21	186737	Adapter, Wheel Steering	70	196197	Bracket Deck Susp. Front
22	194845	Bushing, Strg. Blk	71	196075	Shaft Ext. Steering
26	414852X428	Insert, Wheel Steering	72	74780572	Bolt 5/16-18 x 4.5 Gr. 5
28	17000612	Screw 3/8-16 x 3/4	74	3366R	Bearing Col. Strg.
33	10040500	Washer Lock 5/16	78	57079	Washer Thrust .515 x .750 x .033
35	194732	Gear, Sector Plate			
45	19113812	Washer 11/32 x 2-3/8 x 12 Ga.			
50	73900600	Nut Lock Flg 3/8-16 unc			
53	188967	Washer Hardened .793 x 1.637 x .060			
54	74760636	Bolt Hex HS 3/8-16 unc x 2-1/4			

NOTE: All component dimensions give in U.S. inches
1 inch = 25.4 mm