



REPAIR PARTS MANUAL

MODEL NO. 252800

Lawn Tractor

13,5/42 94.

CRAFTSMAN®

HOW TO USE THIS MANUAL

This manual is designed to provide the customer with a means to identify the parts on his/her tractor when ordering repair parts. The illustrations may or may not represent the actual assemblies; therefore, it is not recommended to use this manual as a guide to assemble or disassemble the tractor. Some hardware and parts are drawn larger in order to more readily identify them.

Each tractor has its own model number.

The model number for your tractor can be found on the fender under the seat.

When ordering parts, always give the following information:

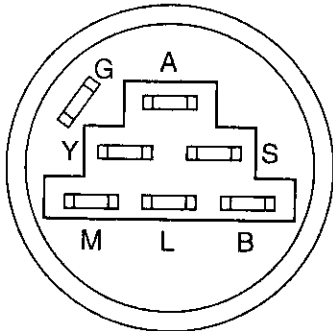
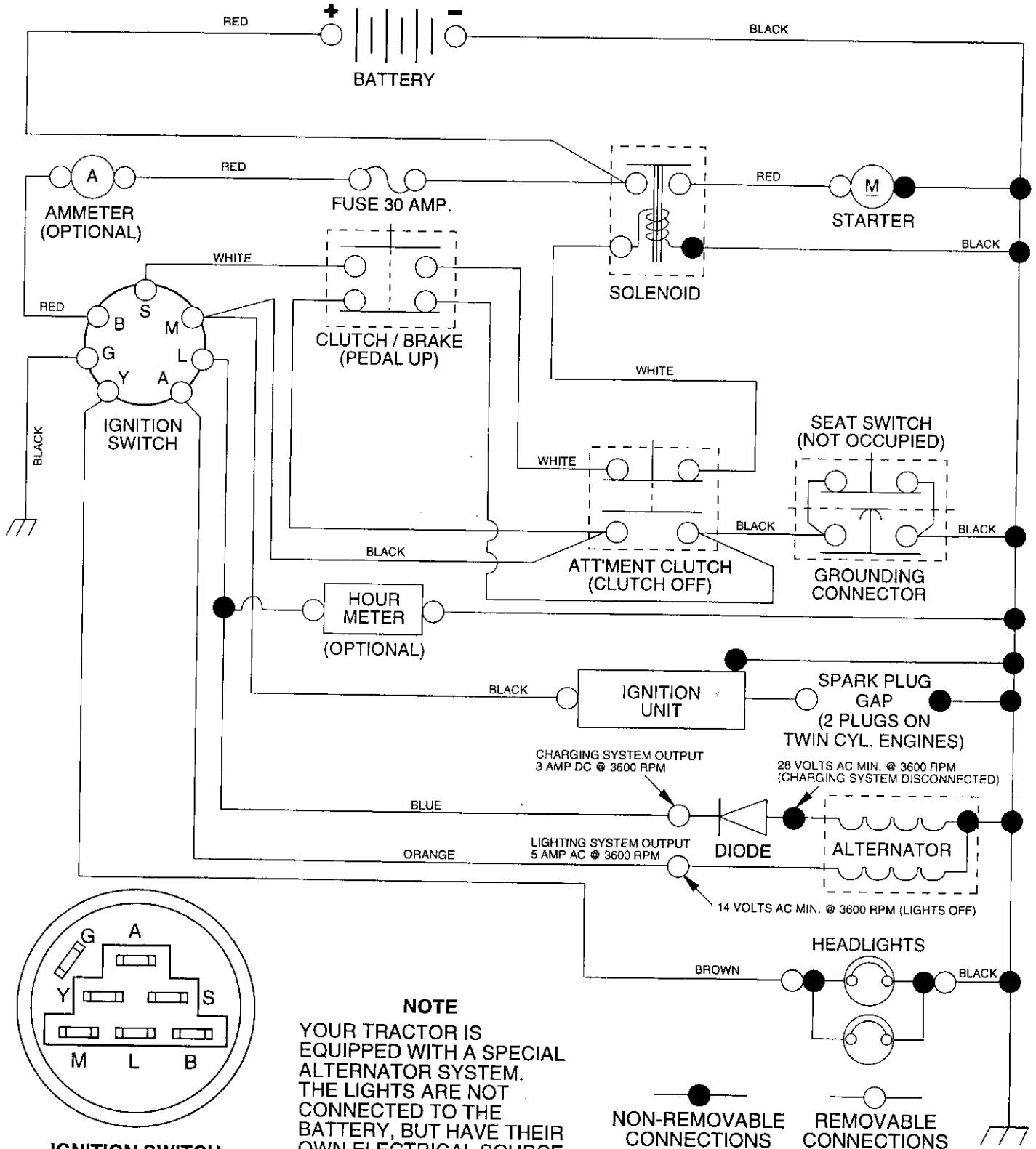
- Product - "Tractor"
- Model Number - "252800"
- Part Number
- Part Description

TABLE OF CONTENTS

SCHEMATIC	3
ELECTRICAL	4-5
CHASSIS	6-7
DRIVE	8-9
STEERING WHEEL	10-11
ENGINE	12-13
DECALS	14
SEAT	15
MOWER LIFT LEVER.....	16-17
MOWER DECK	18-19
TRANSAXLE	20-21

TRACTOR - - MODEL NUMBER 917.252800

SCHEMATIC



IGNITION SWITCH

POSITION	CIRCUIT	"MAKE"
OFF	G + M + L	NONE
RUN/LIGHT	B + L	A + Y
RUN	B + L	NONE
START	B + L + S	NONE

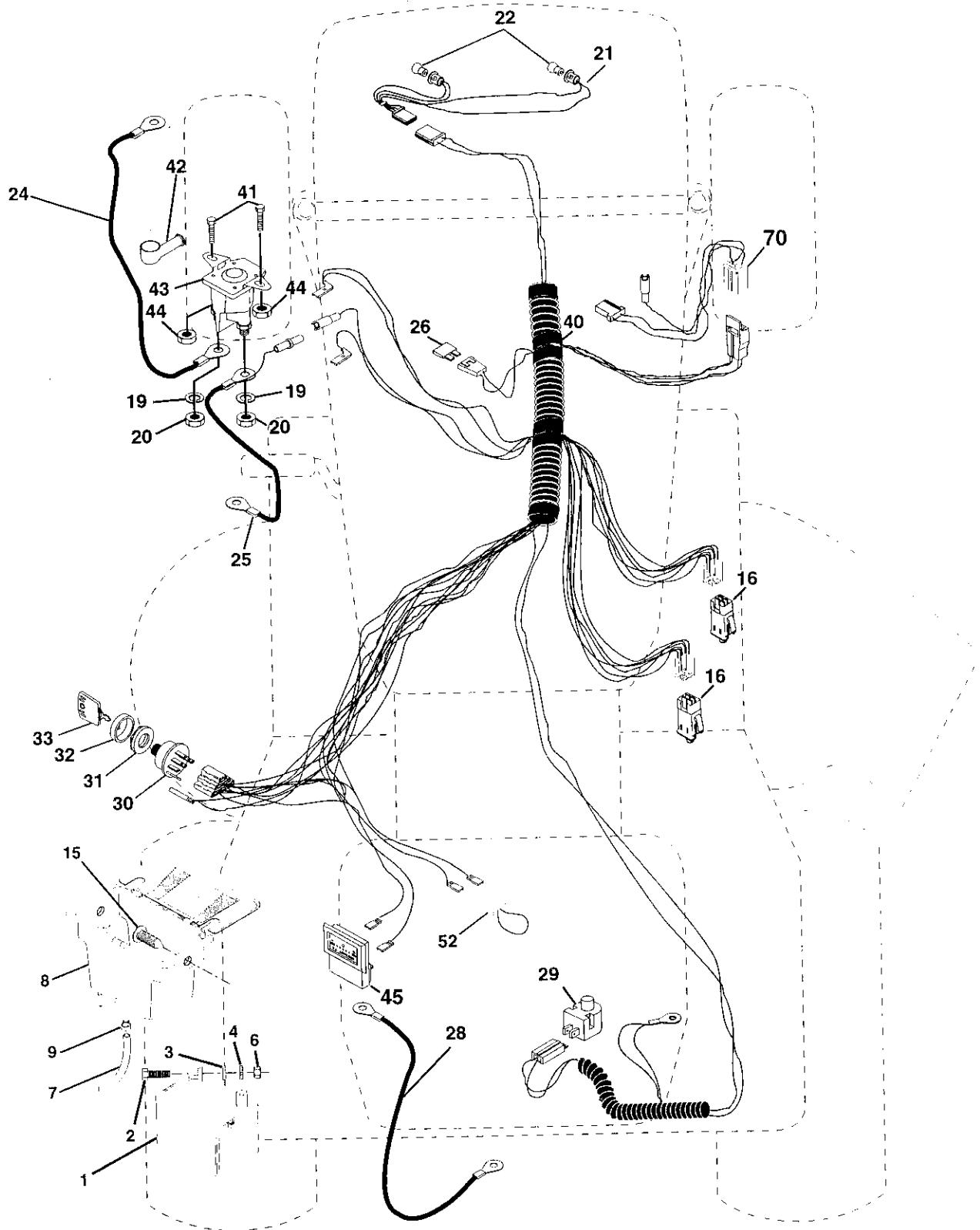
NOTE
 YOUR TRACTOR IS EQUIPPED WITH A SPECIAL ALTERNATOR SYSTEM. THE LIGHTS ARE NOT CONNECTED TO THE BATTERY, BUT HAVE THEIR OWN ELECTRICAL SOURCE. BECAUSE OF THIS, THE BRIGHTNESS OF THE LIGHTS WILL CHANGE WITH ENGINE SPEED. AT IDLE THE LIGHTS WILL DIM. AS THE ENGINE IS SPEEDED UP, THE LIGHTS WILL BECOME THEIR BRIGHTEST.

WIRING INSULATED CLIPS
NOTE: IF WIRING INSULATED CLIPS WERE REMOVED FOR SERVICING OF UNIT, THEY SHOULD BE REPLACED TO PROPERLY SECURE YOUR WIRING.

REPAIR PARTS

TRACTOR - - MODEL NUMBER 917.252800

ELECTRICAL



REPAIR PARTS

TRACTOR - - MODEL NUMBER 917.252800

ELECTRICAL

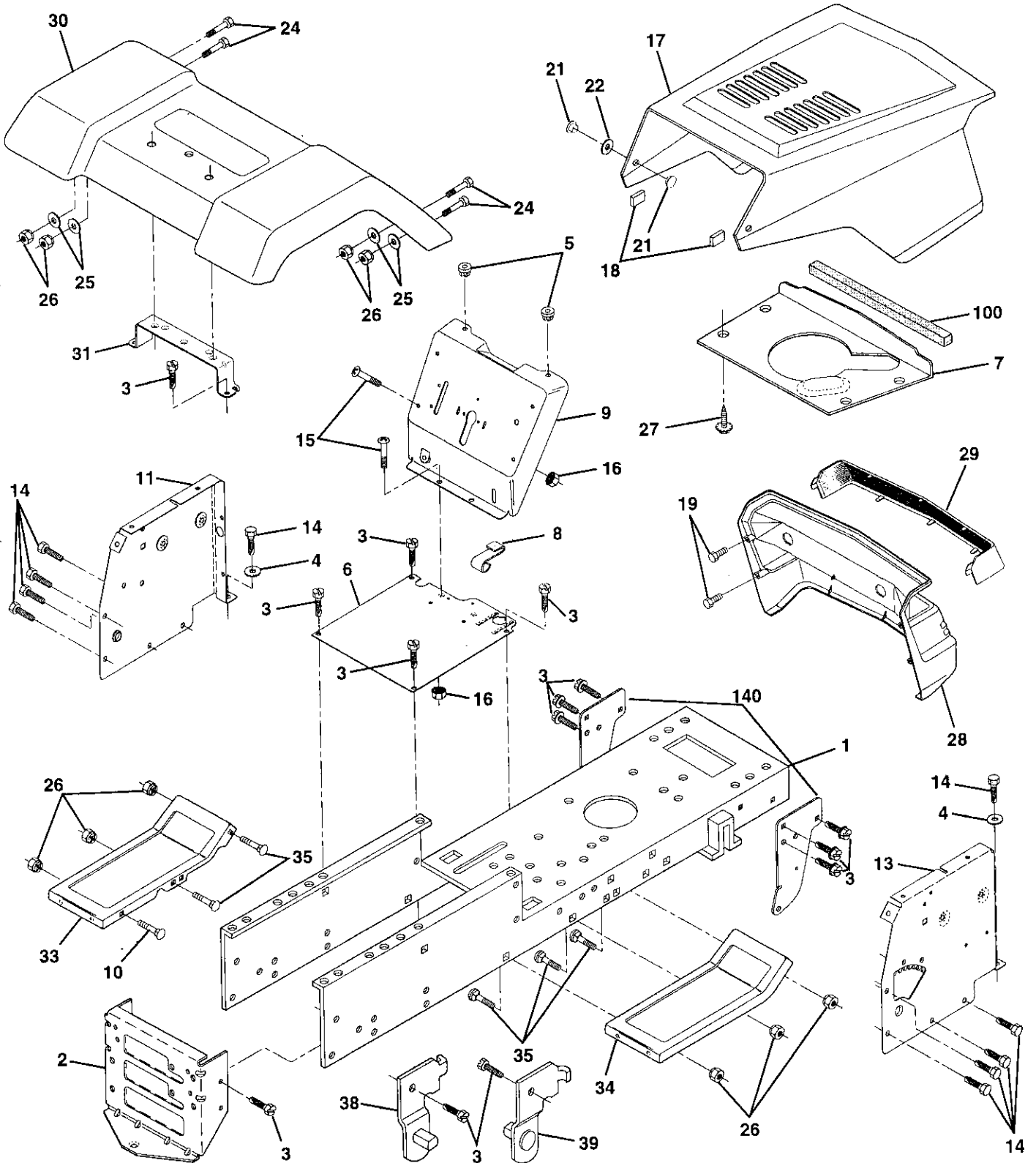
KEY NO.	PART NO.	DESCRIPTION
1	144925	Battery 12 Volt 25 Amp
2	74760412	Bolt, Hex Head 1/4-20 unc x 3/4
3	STD551025	Washer
4	STD551125	Washer
6	STD541025	Nut
7	109238X	Tube, Plastic, 12"
8	156417	Case, Battery Mech Hinge
9	109596X	Clamp, Hose
15	147688	Fastener Snap-In
16	153664	Switch, Interlock Push-In
19	STD551125	Washer, Lock
20	73350400	Nut, Hex, Jam 1/4-20 UNC
21	136850	Harness, Light Socket (Includes 4152J)
22	4152J	Bulb, Light
24	4799J	Cable, Battery, 6 Gauge, Red, 11"
25	146147	Cable, Battery, 6 Gauge, Red, W/16 Wire
26	108824X	Fuse, 30 Amp
28	4207J	Cable, Ground, 6 Gauge, Black, 12"
29	121305X	Switch, Plunger
30	140301	Switch, Ignition
31	124211X	Nut, Ignition
32	141226	Cover, Key Switch
33	109310X	Key, Ignition
40	156442	Harness, Ignition
41	71110408	Bolt, Hex Head, Fin. 1/4-20 x 1/2
42	131563	Cover, Terminal, Red
43	145673	Solenoid
44	73640400	Nut Keps Blk Hex 1/4-20 UNC
45	121433X	Ammeter Rectangular 6 Amp
52	141940	Protection Wire Loop
70	140413	Harness Engine B&S

NOTE: All component dimensions given in U.S. inches
1 inch = 25.4 mm

REPAIR PARTS

TRACTOR - - MODEL NUMBER 917.252800

CHASSIS AND ENCLOSURES



REPAIR PARTS

TRACTOR - - MODEL NUMBER 917.252800

CHASSIS AND ENCLOSURES

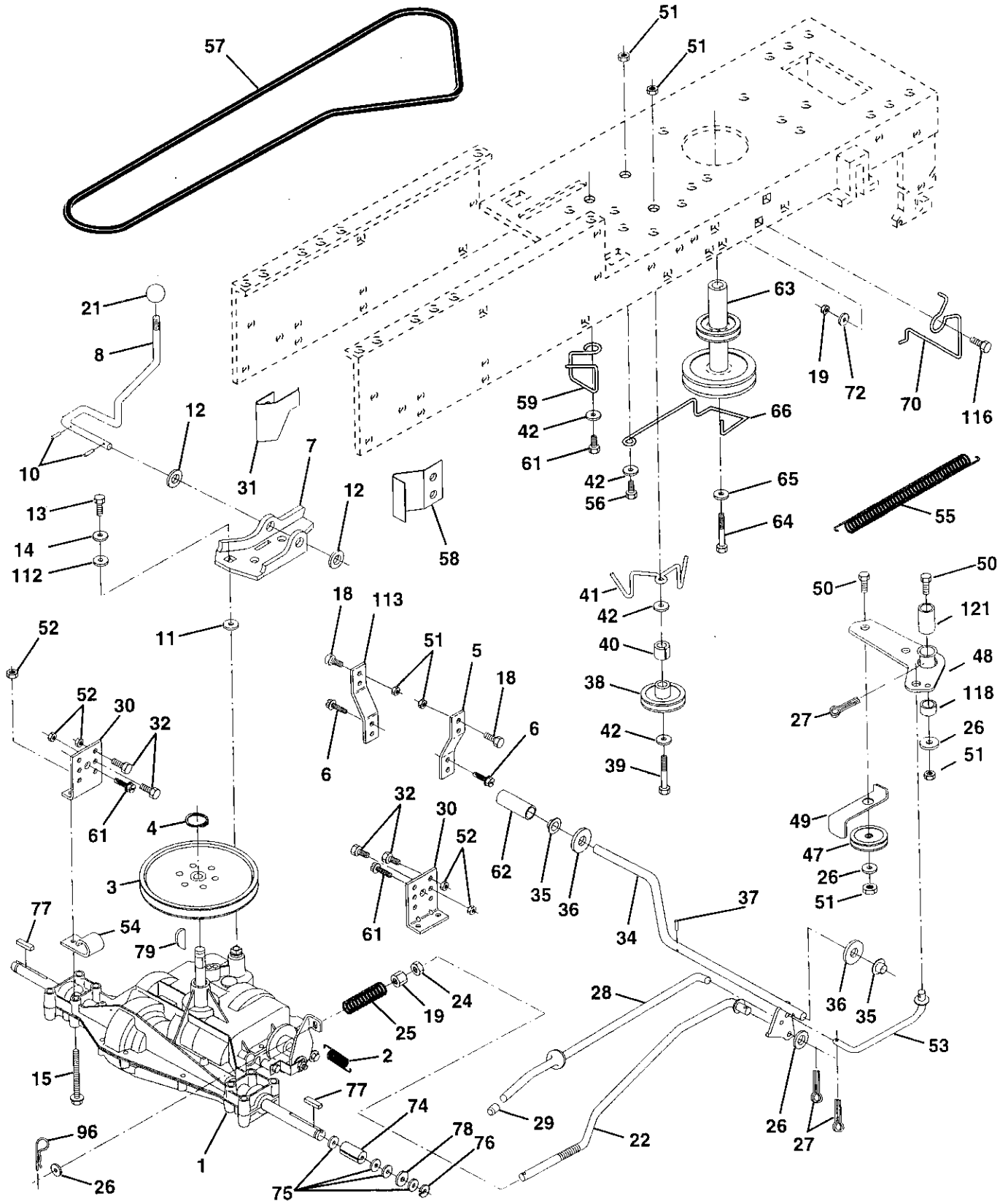
KEY NO.	PART NO.	DESCRIPTION
1	155051	Chassis Asm. LT STMP M/E 15/18"
2	140356	Drawbar Stretch
3	17490612	Screw Thdrol 3/8-16 x 3/4 Ty-tt
4	STD551025	Washer 13/32 X 3/4 X 16 Ga
5	155272	Bumper Hood/Dash
6	155924X012	Saddle Slkscr Flt LT 6SP Peer
7	124027X	Shield Ht. Hood Kohl/Dia Engine
8	155138	Clip Retainer Slide-On
9	156275X011	Dash Slkscr 1-pc
10	STD533710	Bolt Rdhd Sqnk 3/8-16unc X 1
11	155927	Panel Dash LH
13	155934X010	Panel Slkscr Dash RH
14	17490608	Screw Thdrol 3/8-16 x 1/2 Ty-tt
15	74180512	Screw Mach TRHD 5/16-18 unc x 3/4
16	STD541431	Nut Keps 5/16-18 Unc
17	154988X417	Hood Asm Pnt Slope Weld Ms-417
18	126938X	Bumper Hood
19	17521312	Screw Sltd Hex Hd W/Pl Washer
21	122933X	Rivet Ratchet Nylon
22	124479X	Washer Nylon Blk 28 x 75 x 19
24	STD523710	Bolt Fin Hex 3/8-16 unc x 1 Gr. 5
25	19131312	Washer 13/32 X 13/16 x 12 Ga
26	STD541437	Nut Hex Lock W/Ins. 3/8-16 Unc
27	17030814	Screw Spiderloc Hex Hd #8 x 7/8
28	140135	Grille Grey
29	124029X	Lens Headlight Bar Clear
30	109872X417	Fender Pnt LT W/o Shift
31	136619	Bracket Fender Repl 109873x
33	145244X417	Footrest Pnt Lh
34	145243X417	Footrest Pnt Rh
35	STD533707	Bolt Rdhd Sht Sqnk 3/8-16 x 3/4
38	139886	Bracket Asm Pvt LH MWR Rear
39	139887	Bracket Asm Pvt RH MWR Rear
100	105037X	Strip Foam 18"
140	158418	Bracket Suspension Front
--	5479J	Plug Button Blk 359 Dia Choke

NOTE: All component dimensions given in U.S. inches
1 inch = 25.4 mm

REPAIR PARTS

TRACTOR -- MODEL NUMBER 917.252800

DRIVE



REPAIR PARTS

TRACTOR - - MODEL NUMBER 917.252800

DRIVE

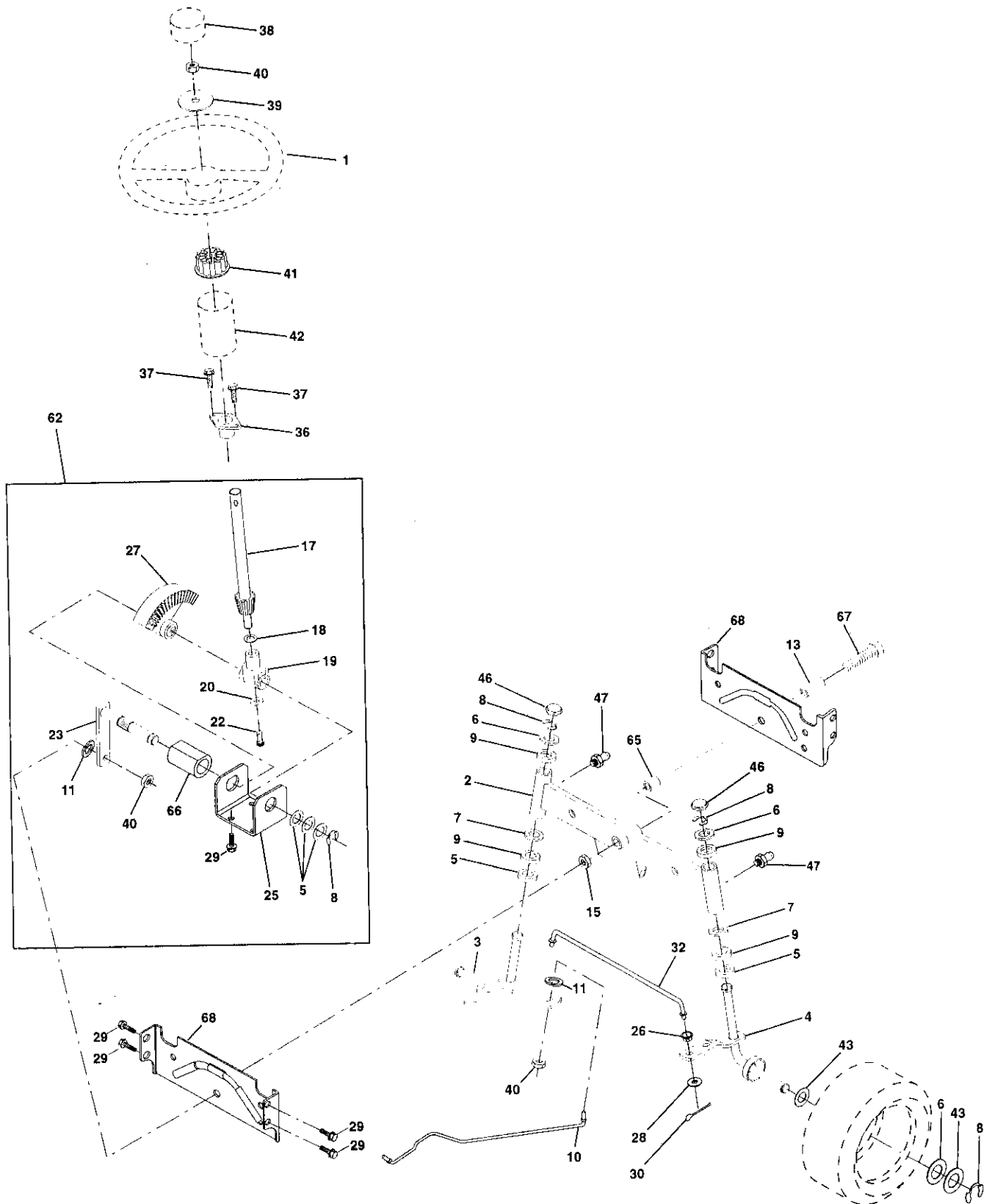
KEY NO.	PART NO.	DESCRIPTION	KEY NO.	PART NO.	DESCRIPTION
1	-----	Transaxle Peerless P930-055A (See Breakdown)	42	19131312	Washer 13/32 X 13/16 X 12 Ga
2	146682	Spring Return Brake T/a Zinc	47	127783	Pulley Idler V Groove Plastic
3	123666X	Pulley Transaxle 18/20" tires	48	154604	Bellcrank Asm. Clutch
4	12000028	Ring Retainer # 5100-62	49	123205X	Retainer Belt Style Spring
5	121520X	Strap Torque 30 Degrees	50	STD523715	Bolt Hex Hd 3/8-16unc X 1-1/2
6	17490512	Screw Thdrol 5/16-18 X 3/4 TYT	51	STD541437	Nut Crownlock 3/8-16 UNC
7	130802	Bracket Saddle Shift T/a	52	STD541431	Nut Crown Lock 5/16-18
8	131679	Rod Shf Sdl LY/YT Str Blk Zinc	53	105710X	Link Clutch 7 66
10	STD561210	Pin Cotter 1/8 X 1 Cad	54	2751R	Clip Line Fuel
11	105701X	Washer Plate Shf 388 Sq Hole	55	105709X	Spring Return Clutch 6 75
12	19151216	Washer 15/32 X 3/4 X 16ga	56	STD523712	Bolt Fin Hex 3/8-16 unc x 1-1/4
13	74550412	Bolt 1/4-28unf Gr8 W/Patch	57	130801	V-Belt Gd Drive 95 25
14	STD551125	Washer Lock Hvy Helical 1/4	58	127274X	Keeper Belt RH LT Pnt/zinc 16g
15	74490544	Bolt Hex FLGHD5/16-18Gr.5	59	140312	Keeper Belt Centerspan
18	STD523710	Bolt Fin Hex 3/8-16 UNC x 1 Gr. 5	61	17490612	Screw Thdrol 3/8-16x3/4 Ty-tt
19	STD541437	Nut Lock Hex W/Ins. 3/8-16 Unc	62	8883R	Cover Pedal Blk Round
21	106933X	Knob Rd 1/2-13 Plstc Thds Blk	63	140186	Pulley Eng Cl Mech 38deg LT/YT
22	130804	Rod Brake Blk Zinc 26 840	64	71170764	Bolt Hex 7/16-20x4 Gr 5
24	STD541237	Nut Hex Jam 3/8-16 Unc	65	STD551143	Washer Lock Hvy Hlcl Spr 7/16
25	106888X	Spring Rod Brake 2 00 Zinc	66	154778	Keeper Belt Engine Fool Proof
26	STD551037	Washer 13/32 X 13/16 X 16 Ga	70	134683	Guide Belt Mower Drive RH
27	STD561210	Pin Cotter 1/8 X 3/4 Cad	72	19132012	Washer 13/32 X 1-1/4 X 12 Ga
28	145204	Rod Brake Parking Lt/Yt	74	137057	Spacer Axle
29	124236X	Cap Brake Parking Red	75	121749X	Washer 25/32 X 1 1/4 X 16 Ga
30	130807	Bracket Mtg Transaxle	76	STD581075	E-ring #5133-75
31	127275X	Keeper Belt LH LT 14 Ga	77	123583X	Key Square 2 0 X 1845/ 1865
32	STD523107	Bolt Hex Hd 5/16-18unc X 3/4	78	121748X	Washer 25/32 X 1-5/8 X 16ga
34	155071	Shaft Asm Pedal Foot LT/STLT	79	2228M	Key Woodruff #9 3/16 x 3/4
35	120183X	Bearing Nylon Blk 629 Id	96	STD624003	Retainer Spring 1" Zinc/Cad
36	STD551062	Washer 21/32 X 1 X 16 Ga	112	19091210	Washer 9/32 X 3/4 X 10 Ga
37	1572H	Pin Roll 3/16 X 1"	113	127285X	Strap Torque LT
38	123674X	Pulley Idler Flat	116	72110610	Bolt Rdhd Sq Neck 3/8-16 x 1.25
39	STD523727	Bolt Fin Hex 3/8-16unc X 2-3/4	118	154774	Spacer Bellcrank
40	4470J	Spacer Split 395 X 59 Bzp	121	154419	Nyliner Clutching STL
41	154777	Keeper Belt Idler Fool Proof			

NOTE: All component dimensions given in U.S. inches.
1 inch = 25.4 mm

REPAIR PARTS

TRACTOR -- MODEL NUMBER 917.252800

STEERING ASSEMBLY



REPAIR PARTS

TRACTOR - - MODEL NUMBER 917.252800

STEERING ASSEMBLY

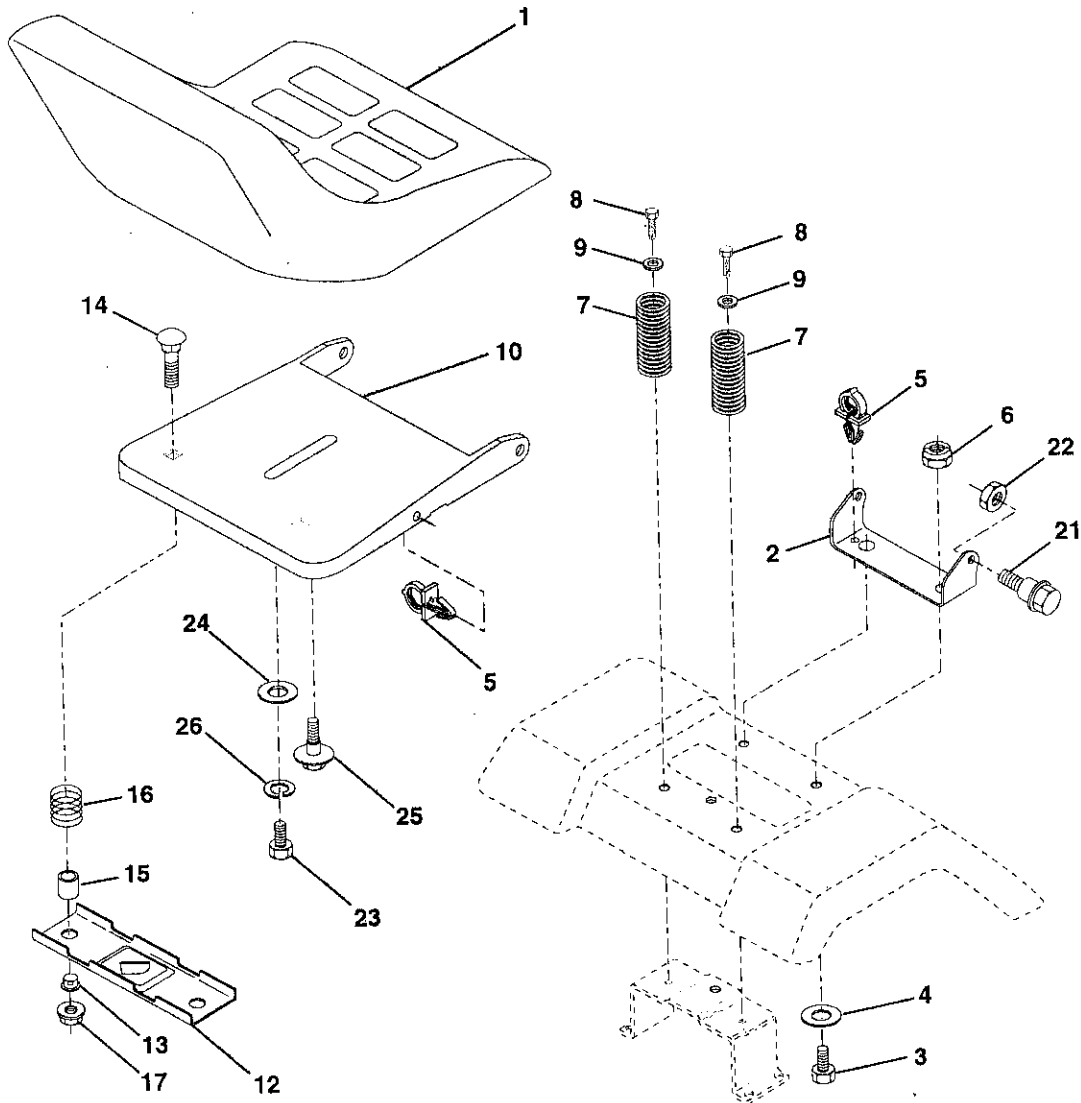
KEY NO.	PART NO.	DESCRIPTION
1	139768	Steering Wheel
2	154427	Axle Assembly STMP Dropped STL
3	154422	Spindle Assembly, L.H.
4	154423	Spindle Assembly, R.H.
5	6266H	Bearing, Race, Thrust, Hardened
6	121748X	Washer 25/32 x 1-5/8 x 16 Gauge
7	19272016	Washer 27/32 x 1-1/4 x 16 Gauge
8	12000029	Ring, Klip
9	3366R	Bearing, Steering Column
10	156438	Draglink Extended Stamped
11	STD551137	Washer, Lock
13	154779	Bearing Axle STLT/GT
15	73901000	Nut, Lock, Flange 5/8-11 UNC
17	156545	Shaft Assembly, Steering
18	57079	Washer, Thrust .515 x .750 x .033
19	124035X	Support, Shaft
20	126684X	Washer, Shim 1/4 x 5/8 x .062
22	71200410	Screw, Hex Socket Head 1/4-20 x 5/8
23	127501	Pittman Shaft Assembly
25	154406	Bracket, Steering
26	126847X	Bushing, Link, Drag
27	136874	Gear, Sector
28	19131416	Washer 13/32 x 7/8 x 16 Gauge
29	17490612	Screw, Thd., Roll. 3/8-16 x 3/4
30	STD561210	Pin
32	130465	Rod, Tie
36	155099	Bushing, Steering
37	152927	Screw
38	139769	Insert, Steering Wheel
39	19133808	Washer 13/32 x 2-3/8 x 8 Gauge
40	STD541537	Gripco Nut
41	104820X	Adaptor, Steering Wheel
42	124417X	Boot, Steering Shaft
43	121749X	Washer 25/32 x 1-1/4 x 16 Gauge
46	121232X	Cap, Spindle
47	6855M	Fitting, Grease
62	156593	Kit Steering Asm Service
65	154780	Spacer Axle
66	154404	Bearing Arm Pittman
67	74781044	Bolt, Fin Hex 5/8-11 UNC x 2-3/4
68	154429	Axle, Brace

NOTE: All component dimensions given in U.S. inches
1 inch = 25.4 mm

REPAIR PARTS

TRACTOR - - MODEL NUMBER 917.252800

SEAT ASSEMBLY



KEY NO.	PART NO.	DESCRIPTION
1	140122	Seat
2	140551	Bracket Pvt St
3	STD523710	Bolt Fin Hex 3/8-16unc X 1
4	19131610	Washer Flat 13/32 X 1 X 10 Ga
5	145006	Clip Push-In Hinged
6	STD541437	Locknut Hex W/Wsh 3/8-16
7	124181X	Spring Seat Cprsn 2 250 Blk Zi
8	17490616	Screw Thdrol 3/8-16 X 1 Ty-tt
9	19131614	Washer 13/32 X 1 X 14 Ga
10	155925	Pan Seat
12	121246X	Bracket Mounting Switch
13	121248X	Bushing Snap Blk Nyl 50 Id

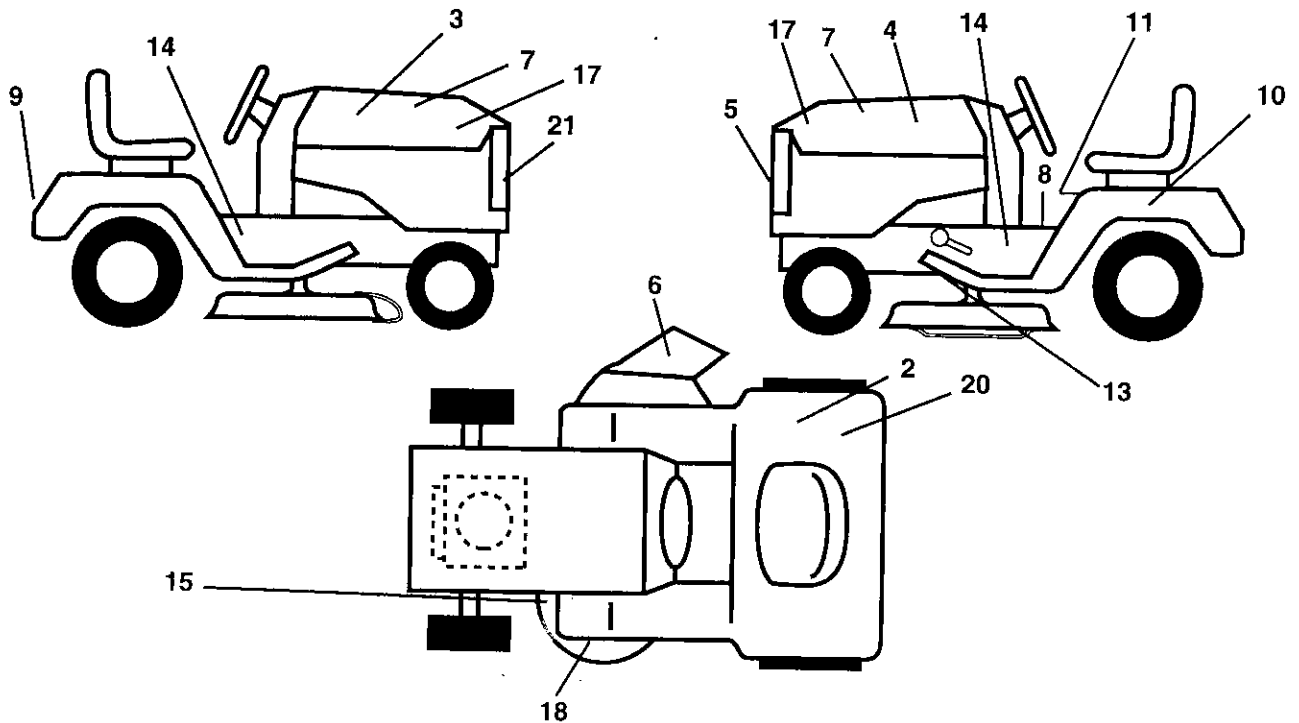
KEY NO.	PART NO.	DESCRIPTION
14	72050411	Bolt Rdhd Sht Nk 1/4-20x1-3/8
15	134300	Spacer Split 28x 96 Yel Zinc
16	121250X	Spring Cprsn 1 27 Blk Pnt
17	123976X	Nut Lock 1/4 Lge Flg Gr 5 Zinc
21	153236	Bolt Shld 5/16-18 Unc
22	STD541431	Nut Lock Hex W/Ins 5/16-18
23	74780814	Bolt Fin Hex 1/2-13 X 7/8 Gr 5
24	19171912	Washer 17/32 X 1-3/16 X 12 Ga
25	127018X	Bolt Shoulder 5/16-18 X 62
26	STD551150	Washer Lock Hvy Hlcl Spr 1/2

NOTE: All component dimensions given in U.S. inches
1 inch = 25.4 mm

REPAIR PARTS

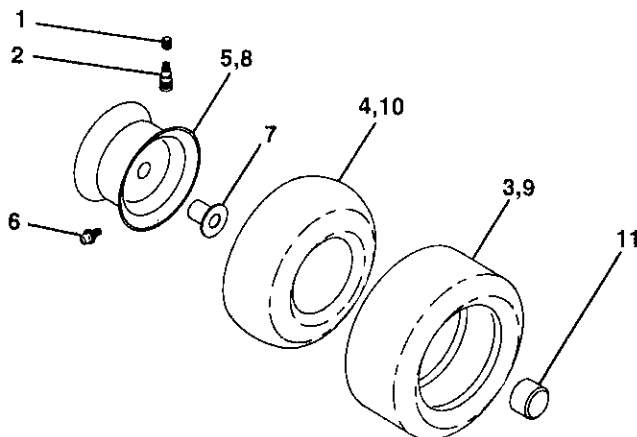
TRACTOR - - MODEL NUMBER 917.252800

DECALS



KEY NO.	PART NO.	DESCRIPTION	KEY NO.	PART NO.	DESCRIPTION
2	145437	Decal Europ Stand CE	14	131473	Decal, Chassis 6sp 42"
3	151815	Decal, Hood RH Crafts Slp LT	15	136832	Decal, V-Belt Sch
4	151816	Decal, Hood LH Crafts Slp LT	17	156879	Decal, Ins Hood
5	128261	Decal, Grille Crafts	18	133179	Decal, Mower Qc System
6	145494	Decal, Mower Cutfinger	20	125690X	Decal 100 DBA
7	142248	Decal, Side Pnl Icgold Blk B & S	21	131265	Decal, Lightbox
8	140837	Decal, Brake Parking Saddle	--	145247	Fastener Pop In
9	125880X	Decal, Fender Craftsman White	--	145245	Pad Footrest
10	149516	Decal, Battery Dngr/Psn	--	138311	Decal, Handle Lft Height Adjust
11	145498	Decal, Read Operator's Man.	--	159115	Manual Operator's (Euro)
12	4900J	Decal, Clutch/brake English	--	159116	Manual Operator's (Scan)
13	146046	Decal, V-Belt Dr Sch Tractor	--	159117	Manual Parts

WHEELS & TIRES



KEY NO.	PART NO.	DESCRIPTION
1	59192	Cap Valve Tire
2	65139	Stem Valve
3	106222X	Tire F Ts 15 X 6 0 - 6 Service
4	59904	Tube Front (Service Item Only)
5	106732X427	Rim Asm 6" f ront White Service
6	278H	Fitting Grease (Front Wheel Only)
7	9040H	Bearing Flange (Front Wheel Only)
8	106108X427	Rim Asm 8" rear White Service
9	124635X	Tire R Ts 18x8 5-8 C Service
10	7152J	Tube Rear (Service Item Only)
11	104757X	Cap Hub Axle Blk 1 50 X 1 00
--	144334	Sealant, Tire (10 oz. Tube)

NOTE: All component dimensions given in U.S. inches
1 inch = 25.4 mm

REPAIR PARTS

TRACTOR - - MODEL NUMBER 917.252800

LIFT

KEY NO.	PART NO.	DESCRIPTION
1	136973	Wire Asm Inner W/plunger 17 32
2	122507X	Shaft Asm Lift 9 680
3	105767X	Pin Groove 1 500 Zinc
4	12000002	E Ring #5133-62
5	19211621	Washer Pltd 21/32 X 1 X 21ga
6	120183X	Bearing Nylon Blk 629 Id
7	125631X	Grip Handle Fluted Blk
8	122365X	Button Plunger Red
10	122512X	Spring Cprsn 3 750 Oiled
11	139865	Link Lift LH
12	139866	Link Lift RH
13	STD624008	Retainer Spring
15	127218	Link Front
16	73350800	Nut Jam Hex 1/2-13 Unc
17	130171	Trunnion Blk Zinc
18	73800800	Nut Lock W/wsh 1/2-13unc
19	139868	Arm Suspension Rear
20	STD624008	Retainer Spring Zinc
31	140302	Bearing Pvt Lift Spherical
32	73540600	Nut Crownlock 3/8-24

NOTE: All component dimensions given in U.S: inches
1 inch = 25.4 mm

REPAIR PARTS

TRACTOR - - MODEL NUMBER 917.252800

42" MOWER

KEY NO.	PART NO.	DESCRIPTION	KEY NO.	PART NO.	DESCRIPTION
1	144393	Mower Housing	45	STD624003	Retainer
2	STD533101	Bolt	46	137729	Screw, Thd. Roll 1/4-20 x 5/8
3	138017	Bracket Assembly, Sway Bar, Front	48	133944	Washer, Hardened
4	138440	Bracket Assembly, Sway Bar	49	155066	Roller Assembly, Cam Follower
5	STD624008	Retainer Spring	50	131340	Bolt, Shoulder #10-24 Grade 5
6	130832	Arm, Suspension, Rear	51	STD541410	Locknut
8	850857	Bolt, Hex 3/8-24 x 1.25 Grade 8	52	139888	Bolt, Shoulder 5/16-18 UNC
9	STD551137	Washer, Lock	53	131845X900	Arm Assembly, Pad, Brake
10	140296	Washer, Hardened	54	133943	Washer, Hardened
11	134149	Blade, Mulching	55	155046	Arm, Idler
12	129895	Bearing, Ball	56	122052X	Spacer, Retainer
13	137645	Shaft Assembly, Mandrel, Vented (Includes Key Number 6)	58	140086	Spring, Torsion Brakes 42"
14	128774	Housing, Mandrel, Vented	59	141043	Guard, Tuv Idler (94)
15	110485X	Bearing, Ball, Mandrel	67	149846	Knob, Custom Oval
16	140329	Stripper, Vented Mower Deck	68	144200	V-Belt
17	72110610	Bolt, Carriage 3/8-16 x 2-1/4	71	142427	Rod, Clutch, Primary, with Nibs
18	72140505	Bolt, Carriage 5/16-18 x 5/8	72	131870	Spring, Return
19	132827	Bolt, Shoulder	73	127847	Arm, Clutch, Secondary
20	136888	Baffle, Vortex	74	121748X	Washer 25/32 x 1-5/8 x 16 Gauge
21	STD541431	Nut, Crownlock 5/16-18 UNC	75	12000029	Ring, Klip
22	134753	Stiffener Bracket	76	128903	Bolt, Shoulder 3/8-16 UNC x 1.44
23	131267	Bracket, Deflector	77	127845	Keeper, Spring
24	105304X	Cap, Sleeve	78	154810	Arm, Clutch, Primary
25	123713X	Spring, Torsion, Deflector	79	127498	Bushing, Large, Brass
26	110452X	Nut, Push	80	153701	Spring, Mower Clutch
27	130968	Shield, Deflector	81	73350600	Nut, Hex Jam 3/8-16 UNC
28	19111016	Washer 11/32 x 5/8 x 16 Gauge	82	142028	Trunnion Adj. 94
29	131491	Rod, Hinge	83	120958X	Washer Sintered
30	138776	Screw Thdrol Hex Head Zinc Mwr	84	156084	Keeper Belt Idler Fixed
31	129963	Washer, Spacer	85	72140618	Bolt Carriage 3/8-16 x 2-1/4
32	153535	Pulley, Mandrel	92	STD541437	Locknut, Hex W/Wsh 3/8-16 UNC
33	137266	Nut, Toplock, Flanged	128	153390	Washer Felt
34	STD533717	Bolt	132	19132203	Spacer, Washer 13/32 I.D. x 1-3/8 O.D. x 1/4
35	133835	Fastner, Christmas Tree	--	130794	Mandrel Assembly (Includes Key Numbers 8-10, 12-15, 31 and 32)
36	131494	Pulley, Idler, Flat	--	145411	Mower Deck, Complete
37	STD551037	Washer 13/32 x 13/16 x 16 Ga.	Available Mulcher Plate Kit not included with tractor:		
40	STD541437	Nut, Crownlock 3/8-16 UNC	--	141112	Mulcher Close-out Plate Kit
41	133551	Rod, Pivot, with Nibs			
43	140083	Rod, Clutch, Secondary, with Nibs			
44	140088	Guard, Mandrel, L.H.			

NOTE: All component dimensions given in U.S. inches
1 inch = 25.4 mm.