

**SEARS**

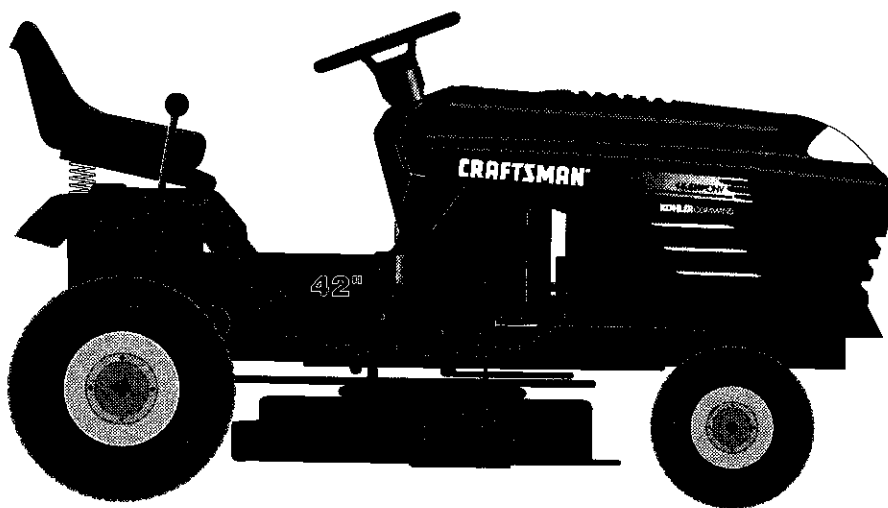
# CRAFTSMAN<sup>®</sup>

MODEL NUMBER 917.252590 OWNER'S MANUAL

- Assembly
- Operation
- Customer Responsibilities
- Service and Adjustments
- Repair Parts

**3one**<sup>™</sup>  
Convertible

156 275HK



**CAUTION:** Read and follow all safety rules and instructions before operating this equipment.

Sears, Roebuck and Co., Hoffman Estates, IL 60179 U.S.A.



# SAFETY RULES

## Safe Operation Practices for Ride-On Mowers



**IMPORTANT:** THIS CUTTING MACHINE IS CAPABLE OF AMPUTATING HANDS AND FEET AND THROWING OBJECTS. FAILURE TO OBSERVE THE FOLLOWING SAFETY INSTRUCTIONS COULD RESULT IN SERIOUS INJURY OR DEATH.

### I. GENERAL OPERATION

- Read, understand, and follow all instructions in the manual and on the machine before starting.
- Only allow responsible adults, who are familiar with the instructions, to operate the machine.
- Clear the area of objects such as rocks, toys, wire, etc., which could be picked up and thrown by the blade.
- Be sure the area is clear of other people before mowing. Stop machine if anyone enters the area.
- Never carry passengers.
- Do not mow in reverse unless absolutely necessary. Always look down and behind before and while backing.
- Be aware of the mower discharge direction and do not point it at anyone. Do not operate the mower without either the entire grass catcher or the guard in place.
- Slow down before turning.
- Never leave a running machine unattended. Always turn off blades, set parking brake, stop engine, and remove keys before dismounting.
- Turn off blades when not mowing.
- Stop engine before removing grass catcher or unclogging chute.
- Mow only in daylight or good artificial light.
- Do not operate the machine while under the influence of alcohol or drugs.
- Watch for traffic when operating near or crossing roadways.
- Use extra care when loading or unloading the machine into a trailer or truck.

### II. SLOPE OPERATION

Slopes are a major factor related to loss-of-control and tipover accidents, which can result in severe injury or death. All slopes require extra caution. If you cannot back up the slope or if you feel uneasy on it, do not mow it.

#### DO:

- Mow up and down slopes, not across.
- Remove obstacles such as rocks, tree limbs, etc.
- Watch for holes, ruts, or bumps. Uneven terrain could overturn the machine. *Tall grass can hide obstacles.*
- Use slow speed. Choose a low gear so that you will not have to stop or shift while on the slope.
- Follow the manufacturer's recommendations for wheel weights or counterweights to improve stability.
- Use extra care with grass catchers or other attachments. These can change the stability of the machine.
- Keep all movement on the slopes *slow* and *gradual*. Do not make sudden changes in speed or direction.
- Avoid starting or stopping on a slope. If tires lose traction, disengage the blades and proceed slowly *straight* down the slope.

#### DO NOT:

- *Do not* turn on slopes unless necessary, and then, turn slowly and gradually downhill, if possible.
- *Do not* mow near drop-offs, ditches, or embankments. The mower could suddenly turn over if a wheel is over the edge of a cliff or ditch, or if an edge caves in.
- *Do not* mow on wet grass. Reduced traction could cause sliding.
- *Do not* try to stabilize the machine by putting your foot on the ground.
- *Do not* use grass catcher on steep slopes.

### III. CHILDREN

Tragic accidents can occur if the operator is not alert to the presence of children. Children are often attracted to the machine and the mowing activity. *Never* assume that children will remain where you last saw them.

- Keep children out of the mowing area and under the watchful care of another responsible adult.
- Be alert and turn machine off if children enter the area.
- Before and when backing, look behind and *down* for small children.
- Never carry children. They may fall off and be seriously injured or interfere with safe machine operation.
- Never allow children to operate the machine.
- Use extra care when approaching blind corners, shrubs, trees, or other objects that may obscure vision.

### IV. SERVICE

- Use extra care in handling gasoline and other fuels. They are flammable and vapors are explosive.
  - Use only an approved container.
  - Never remove gas cap or add fuel with the engine running. Allow engine to cool before refueling. Do not smoke.
  - Never refuel the machine indoors.
  - Never store the machine or fuel container inside where there is an open flame, such as a water heater.
- Never run a machine inside a closed area.
- Keep nuts and bolts, especially blade attachment bolts, tight and keep equipment in good condition.
- Never tamper with safety devices. Check their proper operation regularly.
- Keep machine free of grass, leaves, or other debris build-up. Clean oil or fuel spillage. Allow machine to cool before storing.
- Stop and inspect the equipment if you strike an object. Repair, if necessary, before restarting.
- Never make adjustments or repairs with the engine running.
- Grass catcher components are subject to wear, damage, and deterioration, which could expose moving parts or allow objects to be thrown. Frequently check components and replace with manufacturer's recommended parts, when necessary.
- Mower blades are sharp and can cut. Wrap the blade(s) or wear gloves, and use extra caution when servicing them.
- Check brake operation frequently. Adjust and service as required.



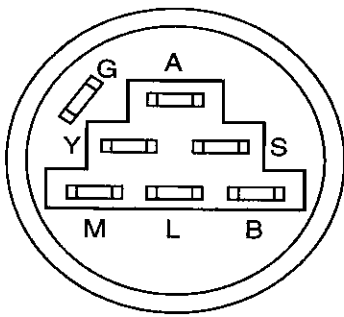
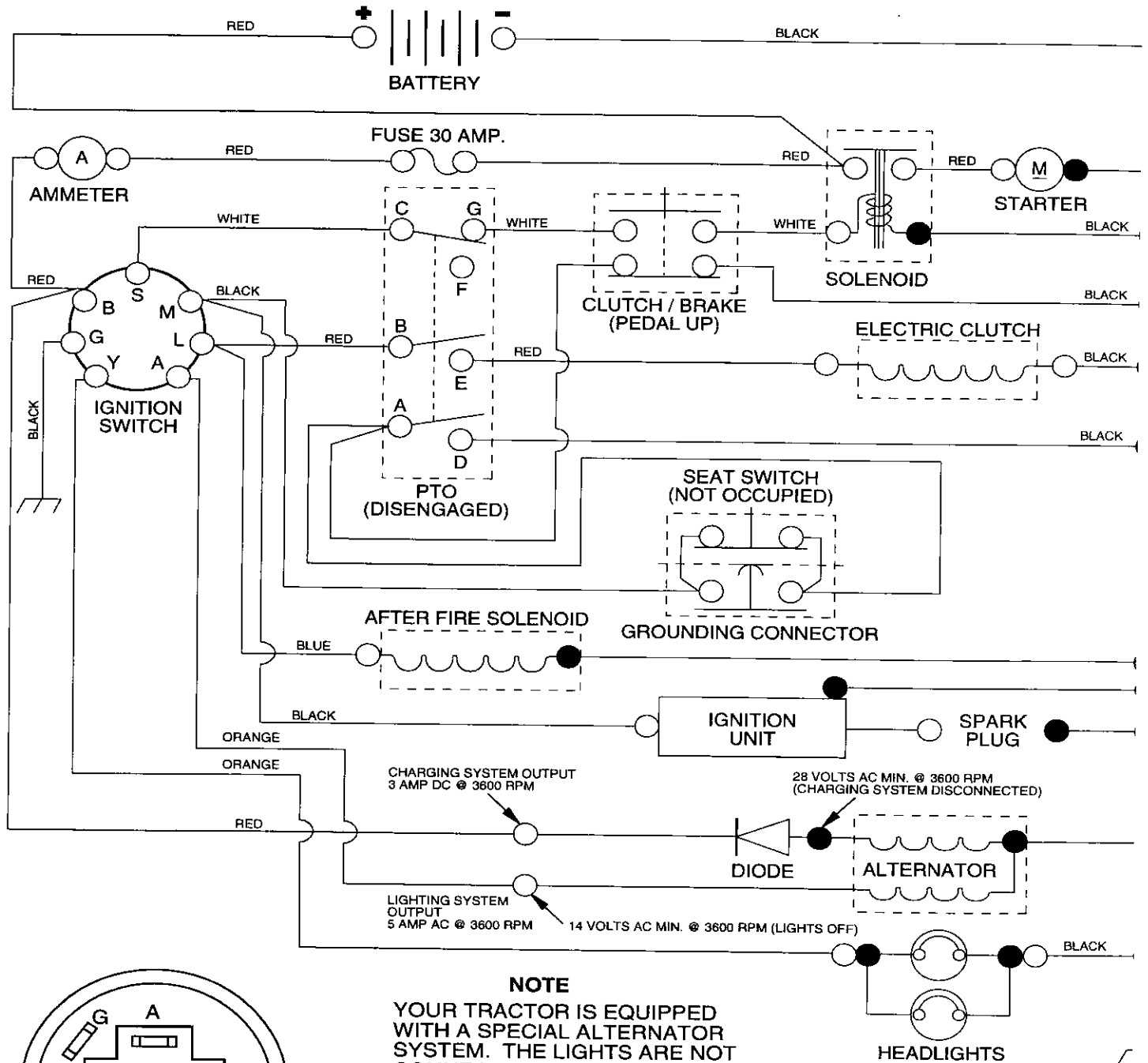
**Look for this symbol to point out important safety precautions. It means CAUTION!!! BECOME ALERT!!! YOUR SAFETY IS INVOLVED.**



**CAUTION: Always disconnect spark plug wire and place wire where it cannot contact spark plug in order to prevent accidental starting when setting up, transporting, adjusting or making repairs.**

# TRACTOR - - MODEL NUMBER 917.252590

## SCHEMATIC



**IGNITION SWITCH**

POSITION	CIRCUIT	"MAKE"
OFF	G + M + L	NONE
RUN/LIGHT	B + L	A + Y
RUN	B + L	NONE
START	B + L + S	NONE

### NOTE

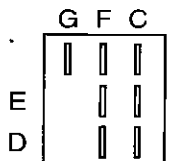
YOUR TRACTOR IS EQUIPPED WITH A SPECIAL ALTERNATOR SYSTEM. THE LIGHTS ARE NOT CONNECTED TO THE BATTERY, BUT HAVE THEIR OWN ELECTRICAL SOURCE. BECAUSE OF THIS, THE BRIGHTNESS OF THE LIGHTS WILL CHANGE WITH ENGINE SPEED. AT IDLE THE LIGHTS WILL DIM. AS THE ENGINE IS SPEEDED UP, THE LIGHTS WILL BECOME THEIR BRIGHTEST.

### WIRING INSULATED CLIPS

**NOTE:** IF WIRING INSULATED CLIPS WERE REMOVED FOR SERVICING OF UNIT, THEY SHOULD BE REPLACED TO PROPERLY SECURE YOUR WIRING.

NON-REMOVABLE CONNECTIONS

REMOVABLE CONNECTIONS



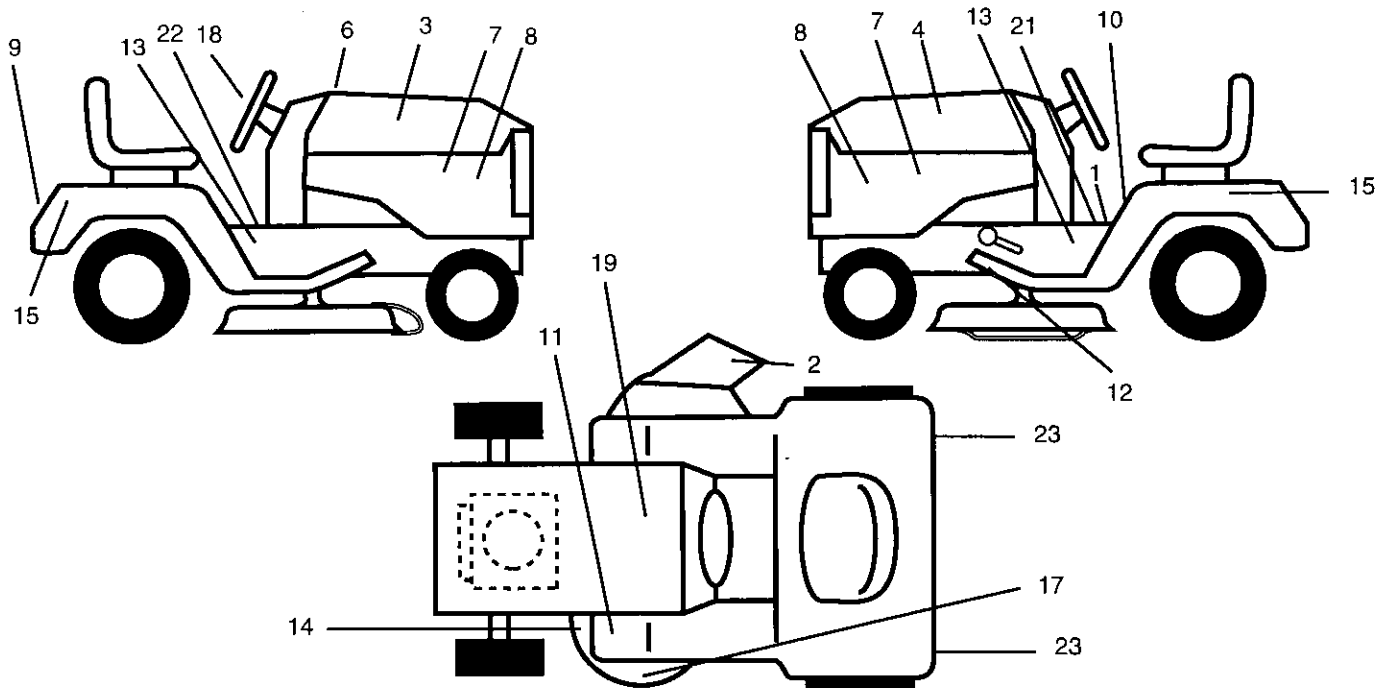
**PTO SWITCH**

POSITION	CIRCUIT
OFF	C + G
ON	C + F, B + E, A +

# REPAIR PARTS

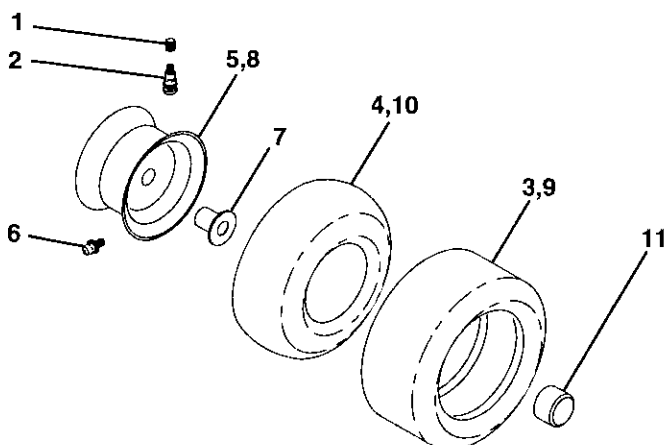
## TRACTOR - - MODEL NUMBER 917.252590

### DECALS



KEY NO.	PART NO.	DESCRIPTION	KEY NO.	PART NO.	DESCRIPTION
1	140819	Decal, Operating Instruction	15	142270	Decal, Fender Hydro White
2	133178	Decal, Mower, 3 In One	17	133179	Decal, Mower QC System
3	149405	Decal, Hood, Craftsman, RH	18	132266	Decal, Insert Strg
4	149406	Decal, Hood, Craftsman, LH	19	138047	Decal, Battery
6	133644	Decal, Maintenance	21	140837	Decal Brake Parking Saddle
7	138048	Decal, Side Panel	22	142336	Decal, Sdl Cold Start Hydro Eng.
8	149407	Decal, Side Panel	23	106202X	Reflector, Taillight
9	128314	Decal, Fender, Craftsman	--	138311	Decal, Handle Lift Height Adj.
10	137537	Decal, Caution	--	142341	Decal, Drawbar Cntrl Mvt. Hyd Lt
11	4900J	Decal, Clutch/Brake	--	145245	Pad Footrest Rbr Sq Craftsman
12	146046	Decal, V-Belt Drive Schematic	--	145247	Fastner Pop In Footrest
13	138145	Decal, Chassis 42"	--	147523	Manual, Owner's (Eng)
14	136832	Decal, V-Belt Schematic	--	147524	Manual, Owners (Span)

### WHEELS & TIRES



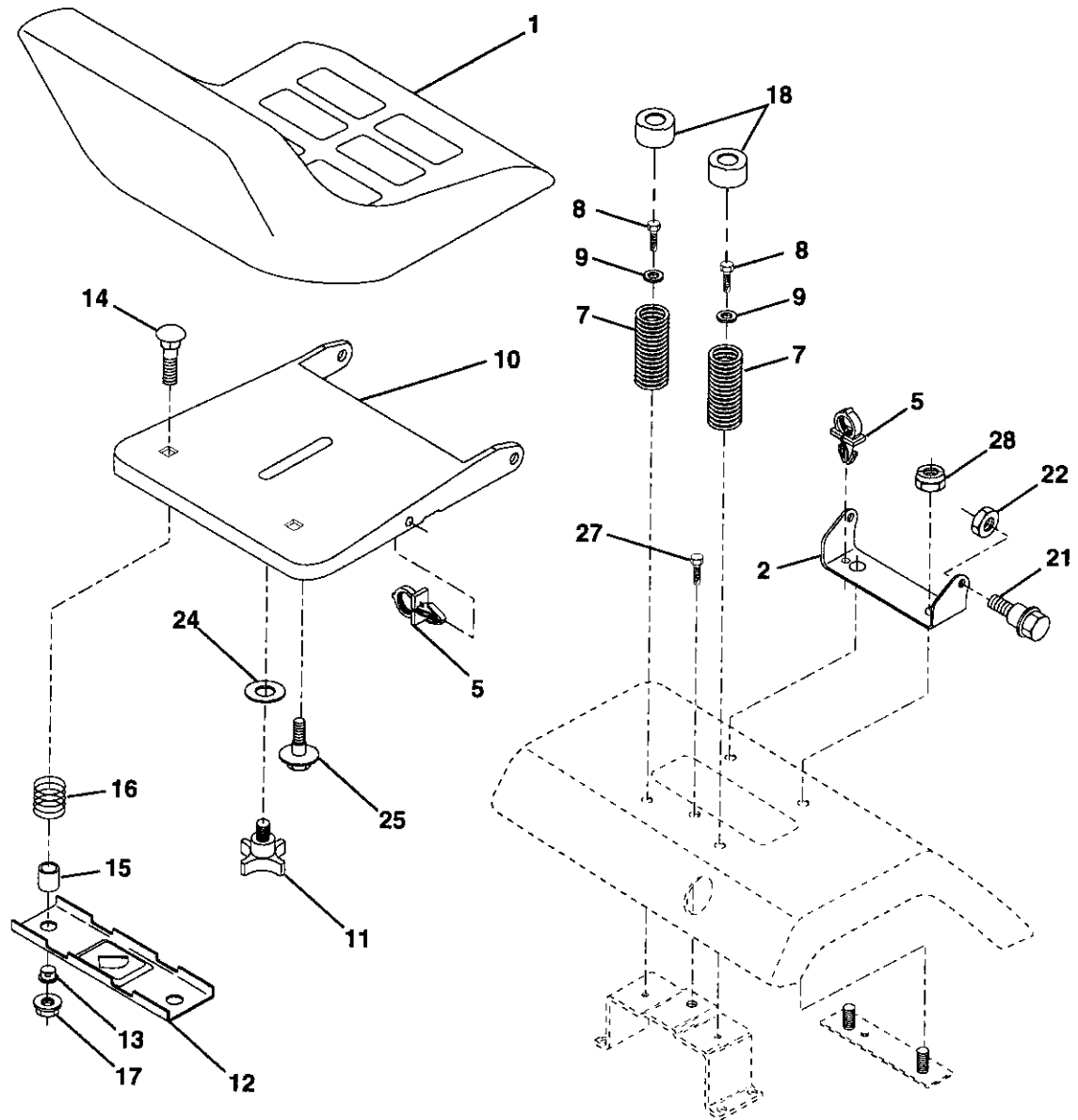
KEY NO.	PART NO.	DESCRIPTION
1	59192	Cap, Valve, Tire
2	65139	Stem, Valve
3	106222X	Tire, Front
4	59904	Tube, Front (Service Item Only)
5	106732X427	Rim Assembly, Front
6	278H	Fitting, Grease (Front Wheel Only)
7	9040H	Bearing, Flange (Front Wheel Only)
8	106108X427	Rim Assembly, Rear
9	122082X	Tire, Rear
10	7152J	Tube, Rear (Service Item Only)
11	104757X	Cap, Axle
--	144334	Sealant, Tire (10 oz. Tube)

**NOTE:** All component dimensions given in U.S. inches  
1 inch = 25.4 mm

# REPAIR PARTS

## TRACTOR - - MODEL NUMBER 917.252590

### SEAT ASSEMBLY



KEY NO.	PART NO.	DESCRIPTION
1	140123	Seat
2	140551	Bracket, Pivot, Seat
5	145006	Clip Push-In, Hinged
7	124181X	Spring, Seat
8	17490508	Screw Thdrol. 5/16-18 x 1/2
9	19131614	Washer 13/32 x 1 x 14 Gauge
10	140552	Pan, Seat
11	120068X	Knob, Seat
12	121246X	Bracket, Switch Mounting
13	121248X	Bushing, Snap, Nylon
14	72050411	Bolt, Carriage 1/4-20 x 1-3/8
15	134300	Spacer, Split

KEY NO.	PART NO.	DESCRIPTION
16	121250X	Spring
18	124238X	Cap, Spring, Seat
17	123976X	Nut, Flangelock 1/4 Grade 5
21	139888	Bolt, Shoulder 5/16-18 UNC
22	STD541431	Nut
24	19171912	Washer 17/32 x 1-3/16 x 12 Gauge
25	127018X	Bolt, Shoulder 5/16-18 x .62
27	17490608	Screw Thdrol. 3/8-16 x 1/2
28	STD541437	Nut

**NOTE:** All component dimensions given in U.S. inches  
1 inch = 25.4 mm



# REPAIR PARTS

## TRACTOR - - MODEL NUMBER 917.252590

### ELECTRICAL

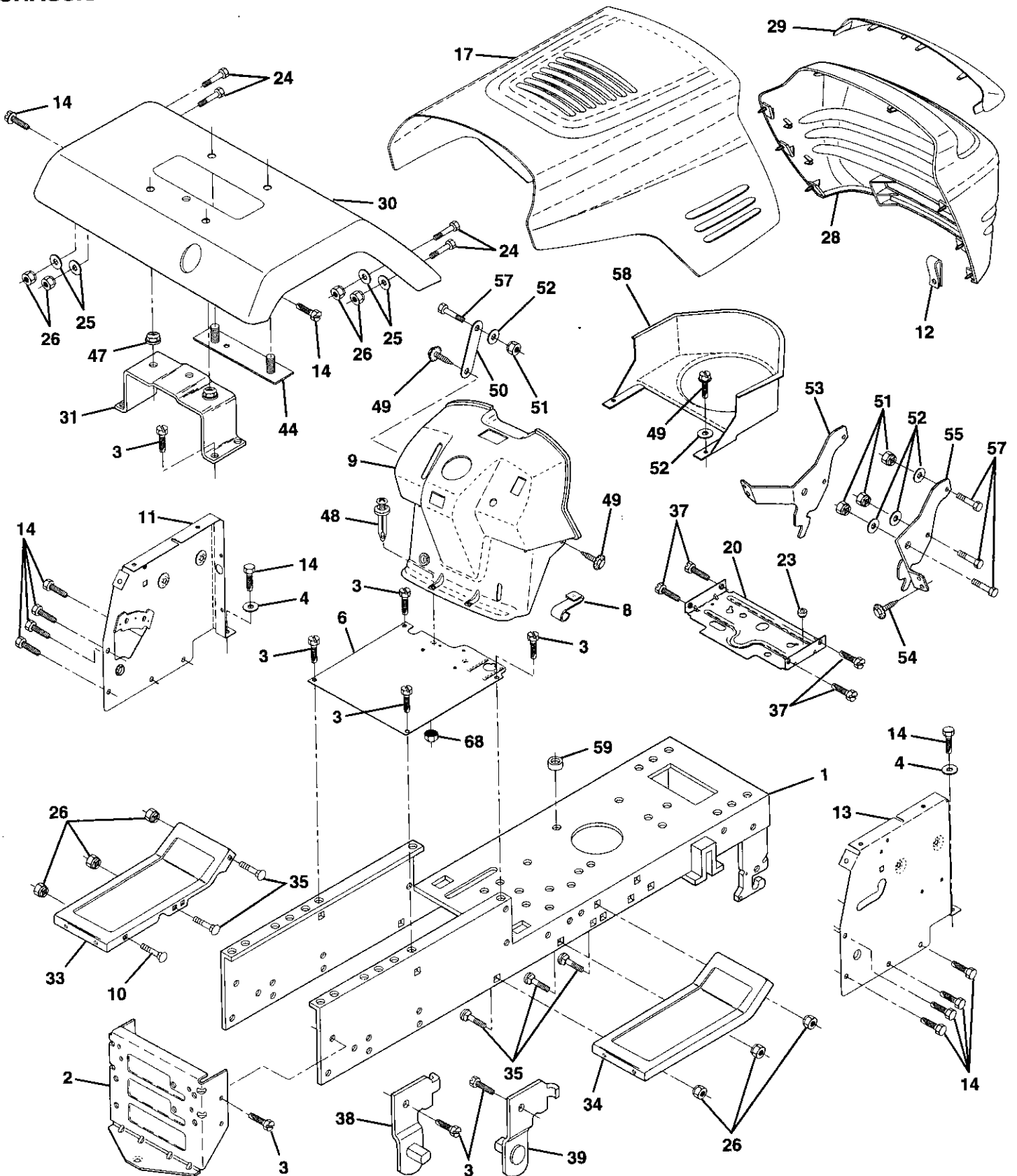
KEY NO.	PART NO.	DESCRIPTION
1	144926	Battery
2	74760412	Bolt, Hex 1/4-20 UNC x 3/4
3	STD551025	Washer
4	STD551125	Washer
6	STD541025	Nut
7	7697J	Tube, Plastic
8	7603J	Tray, Battery
9	109596X	Clamp, Hose
10	145211	Bolt, Battery, Frt 1/4-20 X 7.5 zinc
11	145209	Holdown Battery Dash Mount
12	145769	Nut, Push Nylon 1/4" Battery
19	STD551125	Washer, Lock
20	73350400	Nut, Hex, Jam 1/4-20 UNC
21	147430	Harness, Asm Headlight w/4152J
22	4152J	Bulb, Light
24	4799J	Cable, Battery
25	146148	Cable Battery
26	108824X	Fuse
28	145491	Cable, Ground
29	121305X	Switch, Plunger
30	140301	Switch, Ignition
31	124211X	Nut, Ignition
32	141226	Cover, Ignition Switch
33	109310X	Key, Ignition
36	STD601005	Screw
38	140336	Bracket, Switch
39	109553X	Switch, Interlock
40	146059	Harness, Ignition
41	71110412	Bolt Blk Fin Hex 1/4-20 UNC x 3/4
42	131563	Cover, Terminal
43	145673	Solenoid
44	73800400	Nut Lock w/Insert 1/4-20 UNC
45	121433X	Ammeter Rectangular 6 Amp
46	141940	Protection Wire Loop
50	146283	Switch PTO 3PDT Red Delta
55	17490508	Screw Thdrol 5/16-18 X 1/2
70	142291	Harness Eng LTPL Koh Cmd-L HL
80	146685	Harness Clutch EVX

**NOTE:** All component dimensions given in U.S. inches  
1 inch = 25.4 mm

# REPAIR PARTS

TRACTOR -- MODEL NUMBER 917.252590

## CHASSIS AND ENCLOSURES



# REPAIR PARTS

## TRACTOR - - MODEL NUMBER 917.252590

### CHASSIS AND ENCLOSURES

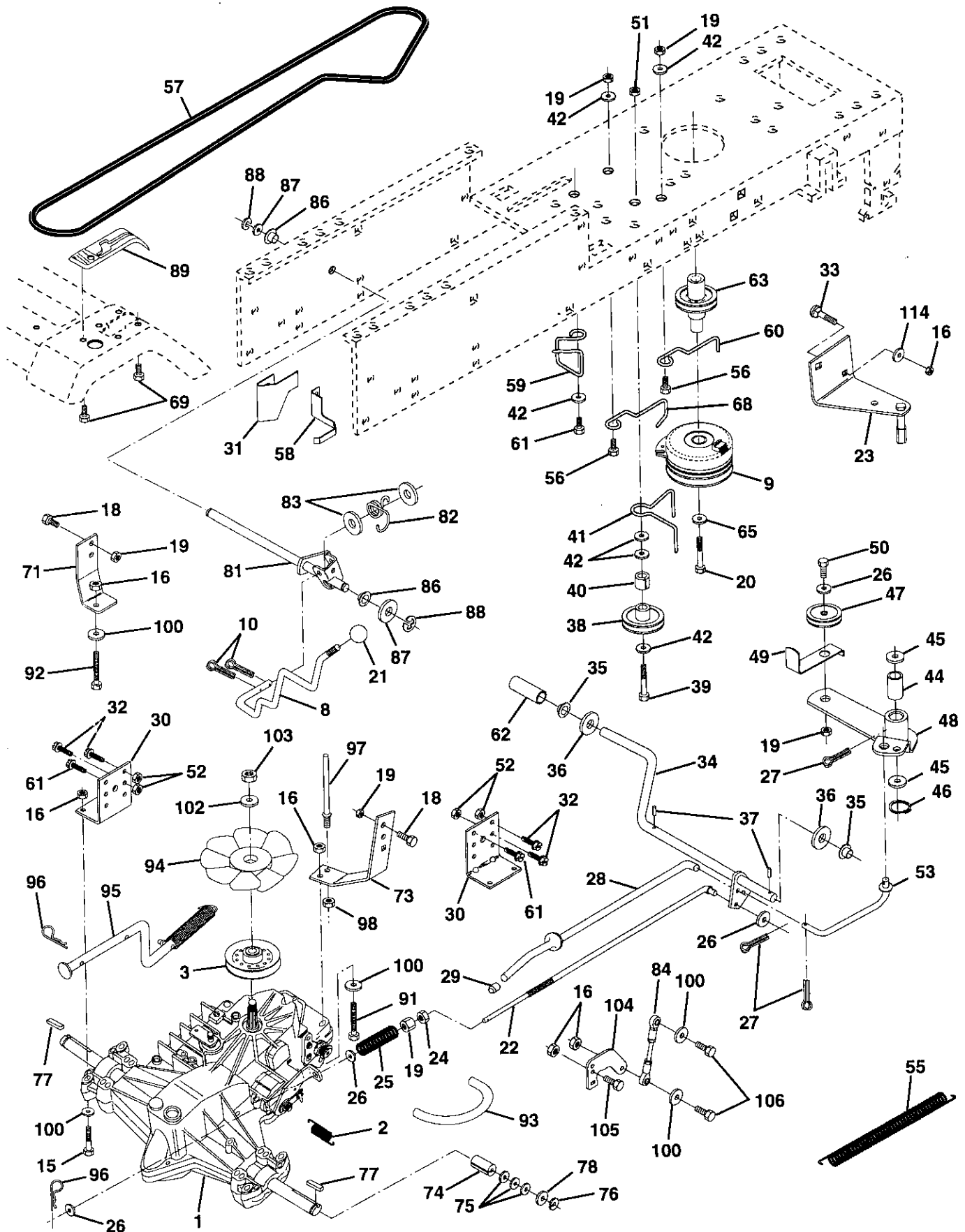
KEY NO.	PART NO.	DESCRIPTION
1	145501	Chassis Wldmt. 11Ga.
2	140356	Drawbar Stretch 94
3	17490612	Screw Thdrol. 3/8-16 x 3/4 Ty-Tt
4	19131216	Washer 13/32 x 3/4 x 16 Ga.
6	145206	Saddle Lt Shift Fender
8	126471X	Clip Insulator .406 Mtg Hole
9	140621	Dash Private Label
10	72140608	Bolt RdHd Sqnk. 3/8-16 x 1
11	135464	Panel Dash LH
12	145660	Clip Tinnerman Grille P/L
13	126276X	Panel Dash Rh
14	17490608	Screw Thdrol. 3/8-16 x 1/2 Ty-Tt
17	144983X459	Hood Pnt w/side Louver
20	145210	Plate Mtg Battery/Fuel Tank
23	124028X	Bushing Snap Nyl. Blk Fuel Line
24	74780616	Bolt Fin Hex 3/8-16 Unc x 1 Gr. 5
25	19131312	Washer 13/32 x 13/16 x 12 Ga.
26	73800600	Nut Lock Hex w/Ins 3/8-16 Unc
28	145198X459	Grill w/clips MS-459
29	145199	Lens Grille
30	140002X459	Fender Pnt Ms-459
31	137113	Bracket Fender
33	145244X459	Footrest Pnt. Lh
34	145243X459	Footrest Pnt. Rh
35	72110606	Bolt RdHd Sht. Sqnk. 3/8-16 x 3/4
37	17490516	Screw Thdrol 5/16-18 x 1
38	139886	Bracket Asm. Pvt. Lh Mwr. Rear
39	139887	Bracket Asm. Pvt. Rh Mwr. Rear
44	140675	Strap Asm Fender
47	105531X	Nut Push Nylon
48	138096	Rivet Push Plate D Plastic Blk
49	17490412	Screw Hex Wsh. Thdrol. 1/4-20 x 3/4
50	142779	Brace
51	73800400	Nut Lock Hex W/Ins. 1/4-20
52	19091416	Washer 9/32 x 7/8 x 16 Ga.
53	145201	Bracket Grille Pickoff LH
54	17030814	Screw Lock Spider #8 x 7/8
55	145202	Bracket, Grill Pickoff RH
57	74780412	Bolt Fin Hex 1/4-20 x 3/4
58	140806	Air Duct Private Label
59	110436X	Bushing Snap Split Blk
68	73510400	Nut Keps Hex 1/4-20 UNC
--	5479J	Plug Button Blk .359 Dia. Choke
100	105037X	Strip Foam 18"

**NOTE:** All component dimensions given in U.S. inches  
1 inch = 25.4 mm

# REPAIR PARTS

## TRACTOR - - MODEL NUMBER 917.252590

### DRIVE



# REPAIR PARTS

## TRACTOR - - MODEL NUMBER 917.252590

### DRIVE

KEY NO.	PART NO.	DESCRIPTION	KEY NO.	PART NO.	DESCRIPTION
1	144436	Transaxle Assembly	58	140470	Keeper Bolt Lh Hydro 0750. 18/20"
2	142431	Spring, Return, Brake	59	140312	Keeper, Center Span
3	143995	Pulley, Transaxle	60	121218X	Keeper Belt Engine LH BZP/Zinc
8	141002	Rod Shift Hydro LT	61	17490612	Screw Thdrol. 3/8-16 x 3/4 Ty. TT
9	145028	Clutch Electric EVX LT Mag 5217-2	62	8883R	Cover, Pedal
10	76020416	Pin Cotter 1/8 x 1 CAD	63	145868	Pulley, Clutch Electric EVX
15	74780544	Bolt Fin Hex 5/16-18 Unc	64	M010110110	Bolt, Hex M10-1.5 X 110
16	73800500	Nut Lock Hex W/Ins. 5/16-18 Unc	65	10040700	Washer
18	74780616	Bolt Fin Hex 3/8-16 Unc x 1 Gr. 5	67	74760616	Bolt Fin Hex 3/8-16 X 1
19	73800600	Nut Lock Hex W/Wsh 3/8-16 Unc	68	105730X	Keeper Belt Engine BZP/Zinc
21	130564	Knob, Deluxe 1/2-13	69	142432	Screw
22	145627	Rod, Brake Hydro	71	140158	Strap Torque Lh Hydro 18/20" T
23	140275	Bracket Asm Clutch Mtg EVX	73	140157	Strap Torque Rh Hydro 18/20" T
24	73350600	Nut, Hex Jam 3/8-16 Unc	74	121199X	Spacer, Split
25	106888X	Spring, Brake Rod	75	121749X	Washer 25/32 x 1-1/4 x 16 Gauge
26	19131316	Washer	76	12000001	E-Ring
27	76020412	Pin Cotter 1/8 x 3/4 CAD.	77	123583X	Key, Square
28	145204	Rod, Parking Brake	78	121748X	Washer 25/32 x 1-5/8 x 16 Gauge
29	124236X	Cap, Parking Brake	81	140154	Shaft Asm. Cross Hydro 20" Tires
30	130807	Bracket, Transaxle	82	123782X	Spring Torsion T/A
31	127275X	Keeper Belt Lh	83	19171216	Washer 17/32 x 3/4 x 16 Ga.
32	74760512	Bolt Hex Hd 5/16-18 Unc x 3/4	84	140548	Rod, Tie Hydro 20" Tires
33	72140506	Bolt Rdhd Sqnk 5/16-18 X 3/4	86	71208	Bushing Rod Strig. 629/632 ID
34	122424X	Shaft, Foot Pedal	87	19212016	Washer 21/32 x 1-1/4 x 16 Ga.
35	120183X	Bearing, Nylon	88	12000008	Ring Klip #5304-62
36	19211616	Washer	89	139989	Console, Shift
37	1572H	Pin, Roll	91	74780536	Bolt Fin Hex 5/16-18 x 2-1/4
38	123674X	Pulley, Idler, Flat	92	74780524	Bolt Fin Hex 5/6-18 Unc x 1-1/2
39	74760644	Bolt	93	142564	Line Fuel Hydro 4"
40	4470J	Spacer, Split	94	140462	Fan, Hydro 7"
41	109070X	Keeper, Belt Retainer	95	144643	Control Bypass Hydro 20" Tires
42	19131312	Washer 13/32 x 13/16 x 12 Gauge	96	4497H	Retainer Spring 1" Zinc/Cad
44	105706X	Bearing, Nylon	97	140469	Keeper Bolt Rh Hydro 0750. 18/20"
45	110812X	Washer, Hardened	98	73510600	Nut Keps Hex 3/8-16 Unc
46	12000039	Ring, Klip	100	19111216	Washer 11/32 x 3/4 x 16 Ga.
47	127783	Pulley, Idler, V-Groove	102	141322	Washer Bellville .501D x 1.50D
48	123789X	Bellcrank Assembly	103	50831	Nut Nylon Insert 1/2-20 Unf.
49	123205X	Retainer, Belt	104	140156	Arm, Control Hydro
50	74760624	Bolt	105	71070516	Screw Cap Hex 5/16 x 18 x 1
51	73680600	Nut Crownlock 3/8-16 UNC	106	74780520	Bolt Fin Hex 5/16-18 Unc x 1-1/4
52	73680500	Nut, Crownlock 5/16-18 Unc	114	72110608	Bolt Rdhd Sqnk 3.8-16 X 1 Gr. 5
53	105710X	Link, Clutch			
55	105709X	Spring, Return, Clutch			
57	140294	V-Belt, Ground Drive			

**NOTE:** All component dimensions give in U.S. inches.  
1 inch = 25.4 mm.



# REPAIR PARTS

## TRACTOR - - MODEL NUMBER 252590

### STEERING ASSEMBLY

KEY NO.	PART NO.	DESCRIPTION
1	121472X	Wheel Steering Auto Blk
2	142033	Axle Asm Fr LT W/gzks 38/42
3	135227	Spindle Asm LH
4	135228	Spindle Asm RH
5	6266H	WasherThrust .75 x 1.230
6	121748X	Washer 25/32 X 1-5/8 X 16 Ga
7	19272016	Washer 27/32 X 1-1/4 X 16 Ga
8	12000029	Ring Klip #t5304-75
9	3366R	Bearing Col Strg Blk
10	130468	Link Drag Sol Ball Jt 20 064
11	10040600	Washer Lock Hvy Hlcl Spr 3/8
12	73610600	Nut Fin Hex 3/8-24 Unf
13	110438X	Spacer Bearing Axle Front
14	74011056	Bolt Hex 5/8-11 Unc X 3-1/2
15	73901000	Nut Lock Flange 5/8-11 Unc
16	132624	Pin Axle 5/8 X 1 55/1 54 Lg
17	140176	Shaft Asm Strg Private Label
18	57079	Washer Thrust 515x 750x 033
19	124035X	Support Shaft
20	126684X	Washer Shim 1/4 X 5/8 X 062
21	10040400	Washer Lock Hvy Helical 1/4
22	71070410	Screw Hex Socket 1/4-20 X 5/8
23	127501	Shaft Asm Pittman
24	109816X	Nyliner Snap In
25	124036X	Bracket Steering
26	126847X	Bushing Link Drag Blk Lr
27	136874	Gear Sector 22 Teeth
28	19131416	Washer 13/32 x 7/8 x 16 Ga.
29	17490612	Screw Thdrol 3/8-16x3/4 Ty-tt
30	76020412	Pin Cotter 1/8 x 3/4 Cad
32	130465	Rod Tie Wire Form 19 75 Mech
36	102803X	Bushing Steering
37	17431008	Screw Slftp #10-16 X 1/2 Ty-b
38	126805X	Cap Wheel Steer
39	19133808	Washer 13/32 x 2-3/8 x 8 Ga
40	7810H	Nut Lock Center 3/8-24 Unf
41	104820X	Adapter Wheel Strg .640/.635
42	140216	Boot Shaft Steering
43	121749X	Washer 25/32 X 1 1/4 X 16 Ga
44	147392	Shaft Extension Steering LR/LT
46	121232X	Cap Spindle Fr Top Blk
47	6855M	Fitting Grease
50	17490412	Screw Hex Wsh Thdrol 1/4-20 x 3/4
51	73800500	Nut Lock Hex W/Ins. 5/16-18 Unc P
54	74780520	Bolt Fin Hex 5/16-18 Unc 6 x 1-1/4
55	140285	Clip Tinnerman
57	140172	Support Shaft Steering
62	149685	Kit Steering Assembly, Service

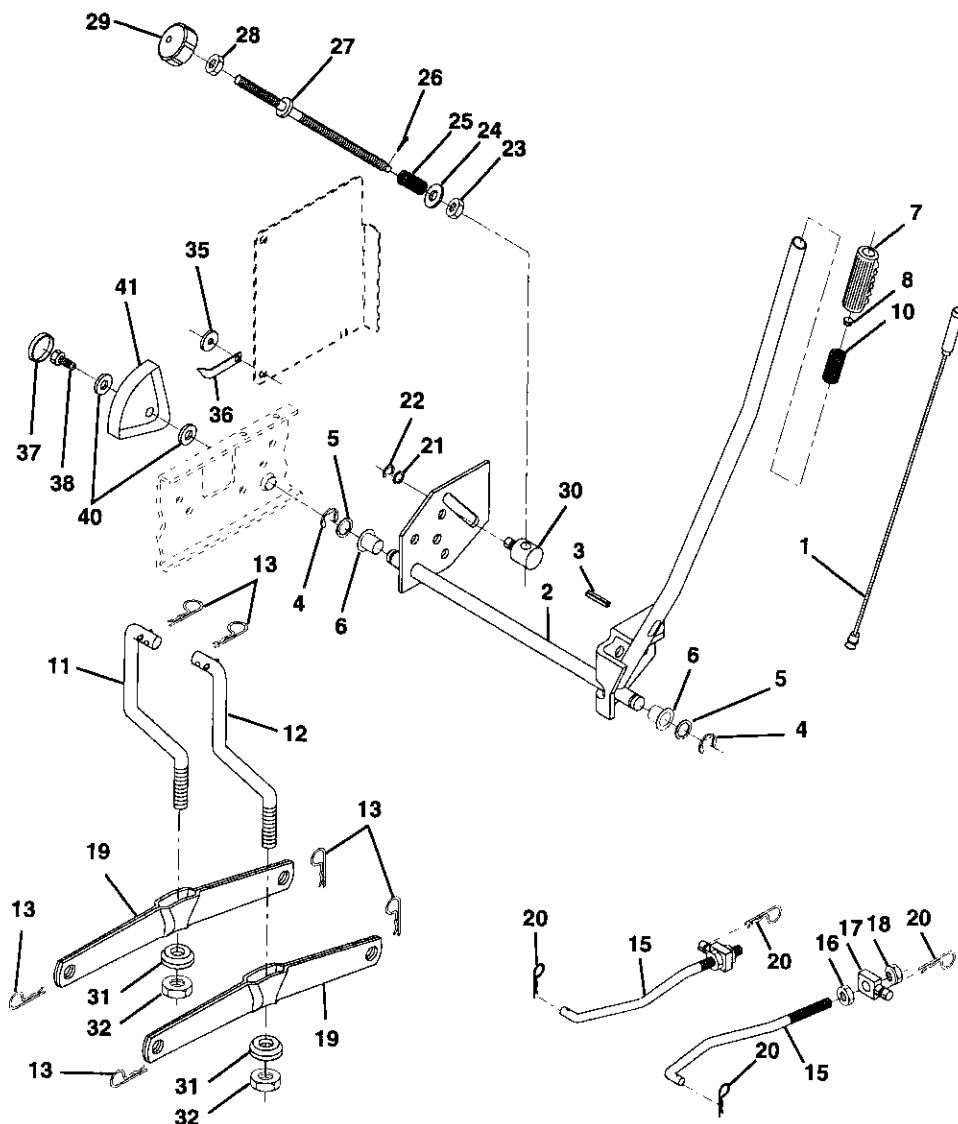
**NOTE:** All component dimensions given in U.S. inches  
1 inch = 25.4 mm



# REPAIR PARTS

## TRACTOR - - MODEL NUMBER 917.252590

### MOWER LIFT



KEY NO.	PART NO.	DESCRIPTION
1	136973	Wire Asm., Inner w/plunger
2	145117	Shaft Asm Lift
3	105767X	Pin Groove
4	12000002	E Ring #5133-62
5	19211621	Washer 21/32 X 1 X 21 Ga
6	120183X	Bearing Nylon
7	125631X	Grip Handle Fluted
8	122365X	Button, Plunger
10	122512X	Spring Cprsn
11	139865	Link Lift Lh Fixed Length
12	139866	Link Lift Rh Fixed Length
13	4939M	Retainer Spring
15	127218	Link Front
16	73350800	Nut Jam Hex 1/2-13 Unc
17	130171	Trunnion Blk Zinc
18	73800800	Nut Lock W/Wsh 1/2-13 Unc
19	139868	Arm Suspension Rear
20	3146R	Spring Retainer
21	19151216	Washer 15/32 X 3/4 X 16

KEY NO.	PART NO.	DESCRIPTION
22	12000037	Ring Klip #T5304-37
23	110807X	Nut Special
24	19131016	Washer 13/32 X 5/8 X 16 Ga
25	2876H	Spring 2-1/8"
26	76020308	Pin Cotter 3/32 x 1/2
27	126971X	Rod Adjust Lift
28	73350600	Nut Hex Jam 3/8-16 Unc
29	138057	Knob Infinite 3/8-16 Unc Black
30	110810X	Trunnion Dp Stop Dbl Thds Plt
31	140302	Bearing Pvt. Lift Spherical
32	73540600	Nut Crownlock 3/8-24
35	120529X	Washer, Nylon .44 x .75 x .032
36	123933X505	Pointer, Height Indicator
37	123935X	Plug, Hole
38	17490512	Scr-Hx Wsh Thdrol 5/16-18 x 3/4 Tyt
40	19112410	Washer 11/32 x 1-1/2 x 10 Gauge
41	123934X	Scale, Height Indicator

**NOTE:** All component dimensions given in U.S. inches  
1 inch = 25.4 mm

