

SEARS

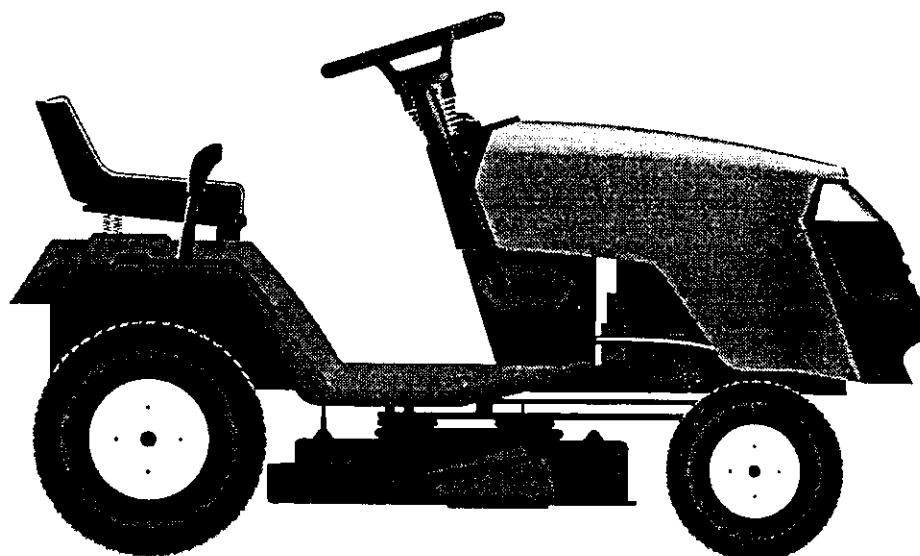
CRAFTSMAN®

MODEL NUMBER 917.252551 OWNER'S MANUAL

- Assembly
- Operation
- Customer Responsibilities
- Service and Adjustments
- Repair Parts

3one™
Convertible

1447



CAUTION: Read and follow all safety rules and instructions before operating this equipment.

Sears, Roebuck and Co., Hoffman Estates, IL 60179 U.S.A.



SAFETY RULES

Safe Operation Practices for Ride-On Mowers



IMPORTANT: THIS CUTTING MACHINE IS CAPABLE OF AMPUTATING HANDS AND FEET AND THROWING OBJECTS. FAILURE TO OBSERVE THE FOLLOWING SAFETY INSTRUCTIONS COULD RESULT IN SERIOUS INJURY OR DEATH.

I. GENERAL OPERATION

- Read, understand, and follow all instructions in the manual and on the machine before starting.
- Only allow responsible adults, who are familiar with the instructions, to operate the machine.
- Clear the area of objects such as rocks, toys, wire, etc., which could be picked up and thrown by the blade.
- Be sure the area is clear of other people before mowing. Stop machine if anyone enters the area.
- Never carry passengers.
- Do not mow in reverse unless absolutely necessary. Always look down and behind before and while backing.
- Be aware of the mower discharge direction and do not point it at anyone. Do not operate the mower without either the entire grass catcher or the guard in place.
- Slow down before turning.
- Never leave a running machine unattended. Always turn off blades, set parking brake, stop engine, and remove keys before dismounting.
- Turn off blades when not mowing.
- Stop engine before removing grass catcher or unclogging chute.
- Mow only in daylight or good artificial light.
- Do not operate the machine while under the influence of alcohol or drugs.
- Watch for traffic when operating near or crossing roadways.
- Use extra care when loading or unloading the machine into a trailer or truck.

II. SLOPE OPERATION

Slopes are a major factor related to loss-of-control and tipover accidents, which can result in severe injury or death. All slopes require extra caution. If you cannot back up the slope or if you feel uneasy on it, do not mow it.

DO:

- Mow up and down slopes, not across.
- Remove obstacles such as rocks, tree limbs, etc.
- Watch for holes, ruts, or bumps. Uneven terrain could overturn the machine. *Tall grass can hide obstacles.*
- Use slow speed. Choose a low gear so that you will not have to stop or shift while on the slope.
- Follow the manufacturer's recommendations for wheel weights or counterweights to improve stability.
- Use extra care with grass catchers or other attachments. These can change the stability of the machine.
- Keep all movement on the slopes *slow* and *gradual*. Do not make sudden changes in speed or direction.
- Avoid starting or stopping on a slope. If tires lose traction, disengage the blades and proceed slowly *straight* down the slope.

DO NOT:

- *Do not* turn on slopes unless necessary, and then, turn slowly and gradually downhill, if possible.
- *Do not* mow near drop-offs, ditches, or embankments. The mower could suddenly turn over if a wheel is over the edge of a cliff or ditch, or if an edge caves in.
- *Do not* mow on wet grass. Reduced traction could cause sliding.
- *Do not* try to stabilize the machine by putting your foot on the ground.
- *Do not* use grass catcher on steep slopes.

III. CHILDREN

Tragic accidents can occur if the operator is not alert to the presence of children. Children are often attracted to the machine and the mowing activity. *Never* assume that children will remain where you last saw them.

- Keep children out of the mowing area and under the watchful care of another responsible adult.
- Be alert and turn machine off if children enter the area.
- Before and when backing, look behind and *down* for small children.
- Never carry children. They may fall off and be seriously injured or interfere with safe machine operation.
- Never allow children to operate the machine.
- Use extra care when approaching blind corners, shrubs, trees, or other objects that may obscure vision.

IV. SERVICE

- Use extra care in handling gasoline and other fuels. They are flammable and vapors are explosive.
 - Use only an approved container.
 - Never remove gas cap or add fuel with the engine running. Allow engine to cool before refueling. Do not smoke.
 - Never refuel the machine indoors.
 - Never store the machine or fuel container inside where there is an open flame, such as a water heater.
- Never run a machine inside a closed area.
- Keep nuts and bolts, especially blade attachment bolts, tight and keep equipment in good condition.
- Never tamper with safety devices. Check their proper operation regularly.
- Keep machine free of grass, leaves, or other debris build-up. Clean oil or fuel spillage. Allow machine to cool before storing.
- Stop and inspect the equipment if you strike an object. Repair, if necessary, before restarting.
- Never make adjustments or repairs with the engine running.
- Grass catcher components are subject to wear, damage, and deterioration, which could expose moving parts or allow objects to be thrown. Frequently check components and replace with manufacturer's recommended parts, when necessary.
- Mower blades are sharp and can cut. Wrap the blade(s) or wear gloves, and use extra caution when servicing them.
- Check brake operation frequently. Adjust and service as required.



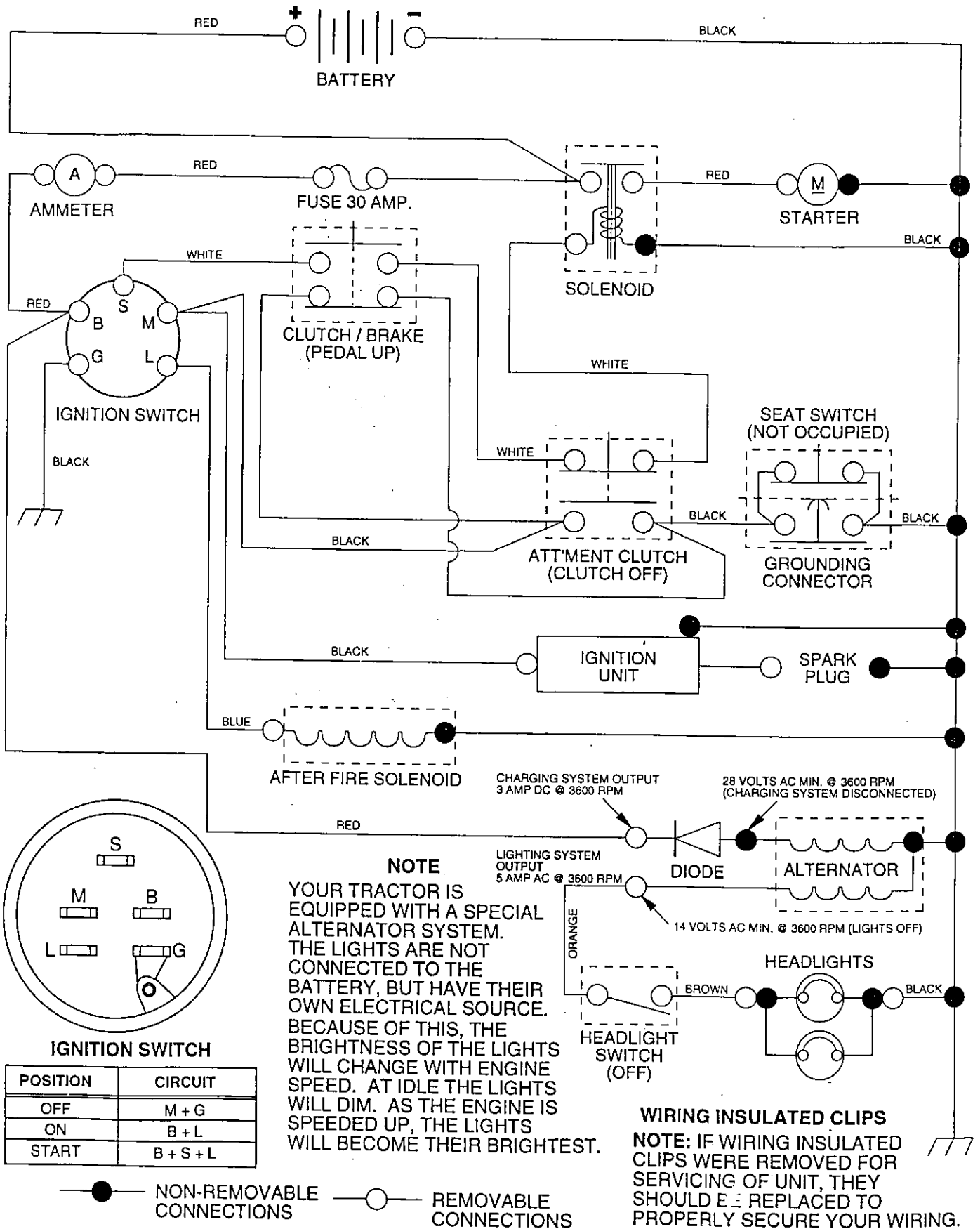
Look for this symbol to point out important safety precautions. It means **CAUTION!!! BECOME ALERT!!! YOUR SAFETY IS INVOLVED.**



CAUTION: Always disconnect spark plug wire and place wire where it cannot contact spark plug in order to prevent accidental starting when setting up, transporting, adjusting or making repairs.

TRACTOR -- MODEL NUMBER 917.252551

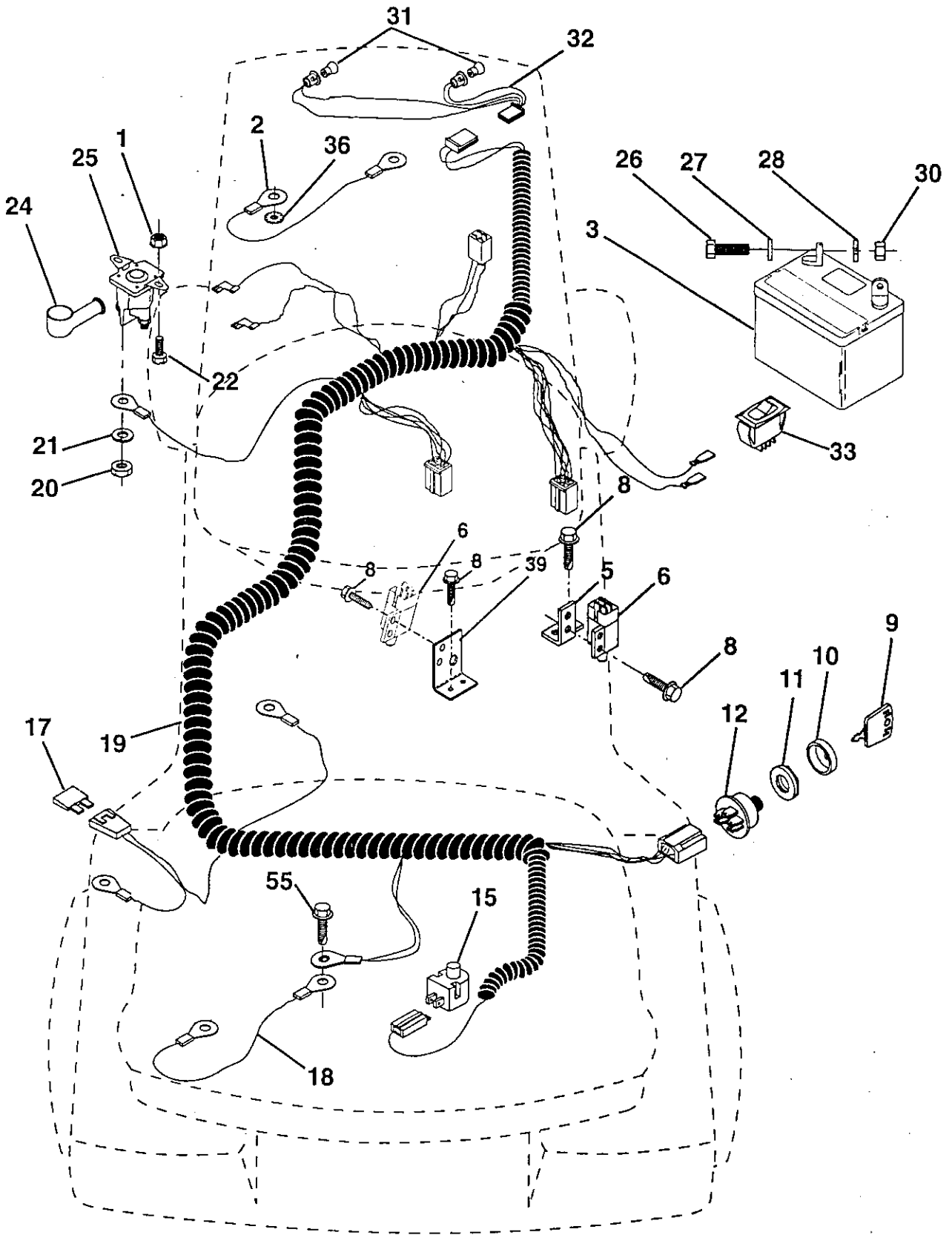
SCHEMATIC



REPAIR PARTS

TRACTOR -- MODEL NUMBER 917.252551

ELECTRICAL



REPAIR PARTS

TRACTOR -- MODEL NUMBER 917.252551

ELECTRICAL

KEY NO.	PART NO.	DESCRIPTION
1	73640400	Nut, Hex, Keps 1/4-20
2	108423X	Assembly, Cable
3	144925	Battery
5	108236X	Bracket, Switch
6	109553X	Switch, Interlock, 4 Terminal
8	STD601005	Screw, Hex Head, Self-Tapping #10-24 x 1/2
9	140403	Key, Molded
10	141226	Cover, Ignition Key
11	140400	Nut, Ignition
12	144921	Switch, Ignition
15	121305X	Switch, Plunger
17	108824X	Fuse
18	128353	Assembly, Cable
19	146064	Harness, Ignition
20	73350400	Nut, Hex, Jam 1/4-20
21	STD551125	Washer, Lock 1/4
22	71110408	Bolt, Hex, Fin. 1/4-20 UNC x 1/2 Grade 5
24	131563	Cover, Terminal
25	145673	Solenoid
26	74760412	Bolt, Hex Head 1/4-20 UNC x 3/4
27	STD551025	Washer 9/32 x 5/8 x 16 Gauge
28	STD551125	Washer, Lock 1/4
30	STD541025	Nut, Hex, Fin. 1/4-20 UNC
31	4152J	Bulb, Light
32	136850	Harness, Headlight
33	110712X	Switch, Light
36	STD551225	Washer, Lock, Internal Tooth 1/4
39	141735	Bracket Switch Clutch
55	17490508	Screw Thdrol 5/16 - 18 x 1/2

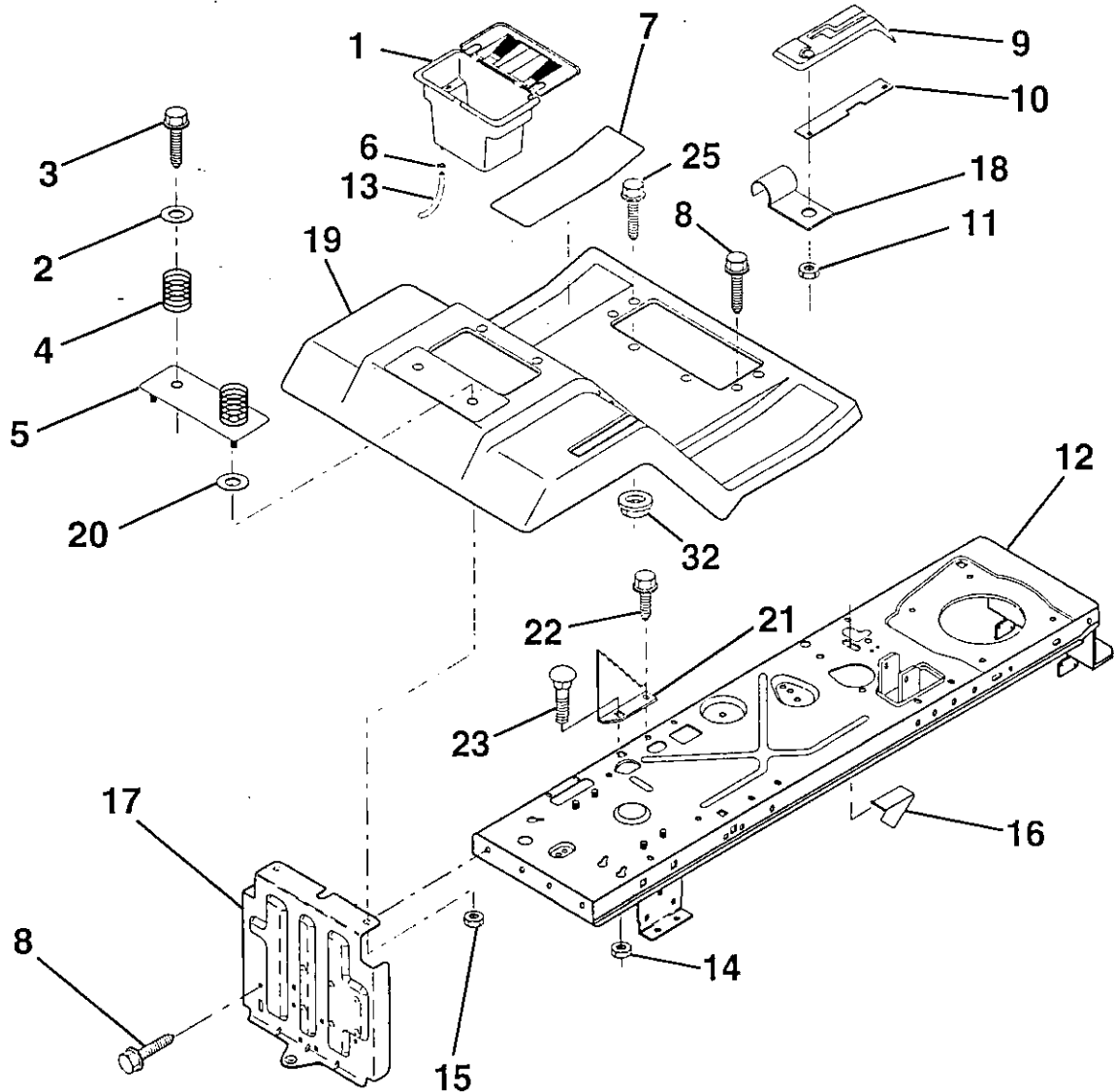
NOTE: All component dimensions given in U.S. inches
1 inch = 25.4 mm

HARDWARE SHOWN LARGER FOR EASIER IDENTIFICATION

REPAIR PARTS

TRACTOR - - MODEL NUMBER 917.252551

FENDER/CHASSIS



KEY NO.	PART NO.	DESCRIPTION
1	144940	Case, Battery
2	19132012	Washer 13/32 x 1-1/4 x 12 Gauge
3	17490612	Screw, Hex Washer Head, Thd. Roll. 3/8-16 x 3/4
4	124181X	Spring, Compression, Seat
5	127115X459	Plate, Battery
6	109596X	Clamp, Hose
7	126700X	Pad, Footrest
8	17490512	Screw, Hex Washer Head, Thd. Roll. 5/16-18 x 3/4
9	126994X	Console, Shift Control
10	139783	Bar, Shift Lock
11	124346X	Nut, Self-Threading 3/16
12	145190	Assembly, Frame
13	109238X	Tube, Battery Drain
14	73680500	Nut, Crownlock 5/16-18

KEY NO.	PART NO.	DESCRIPTION
15	STD541425	Nut, Hex, Keps 1/4-20
16	141736	Switch, Actuator
17	140782	Drawbar
18	126470X	Clip, Insulated
19	140956X459	Fender/Footrest
20	19091413	Washer 9/32 x 7/8 x 13 Gauge
21	140297	Bracket Stop Depth Lr
22	17490508	Screw Thdrol 5/16 - 18 x 1/2
23	STD533107	Bolt RdhdSqnk 5/16 - 18 x 1.25
25	17580520	Scr.-Hx Wsh Thd Rol 5/16 - 18 x 1T
30	146374	Keeper Actuator
31	69180	Nut Lock 10-24
32	73970500	Nut Flang 5/16-18 (Sears Only)

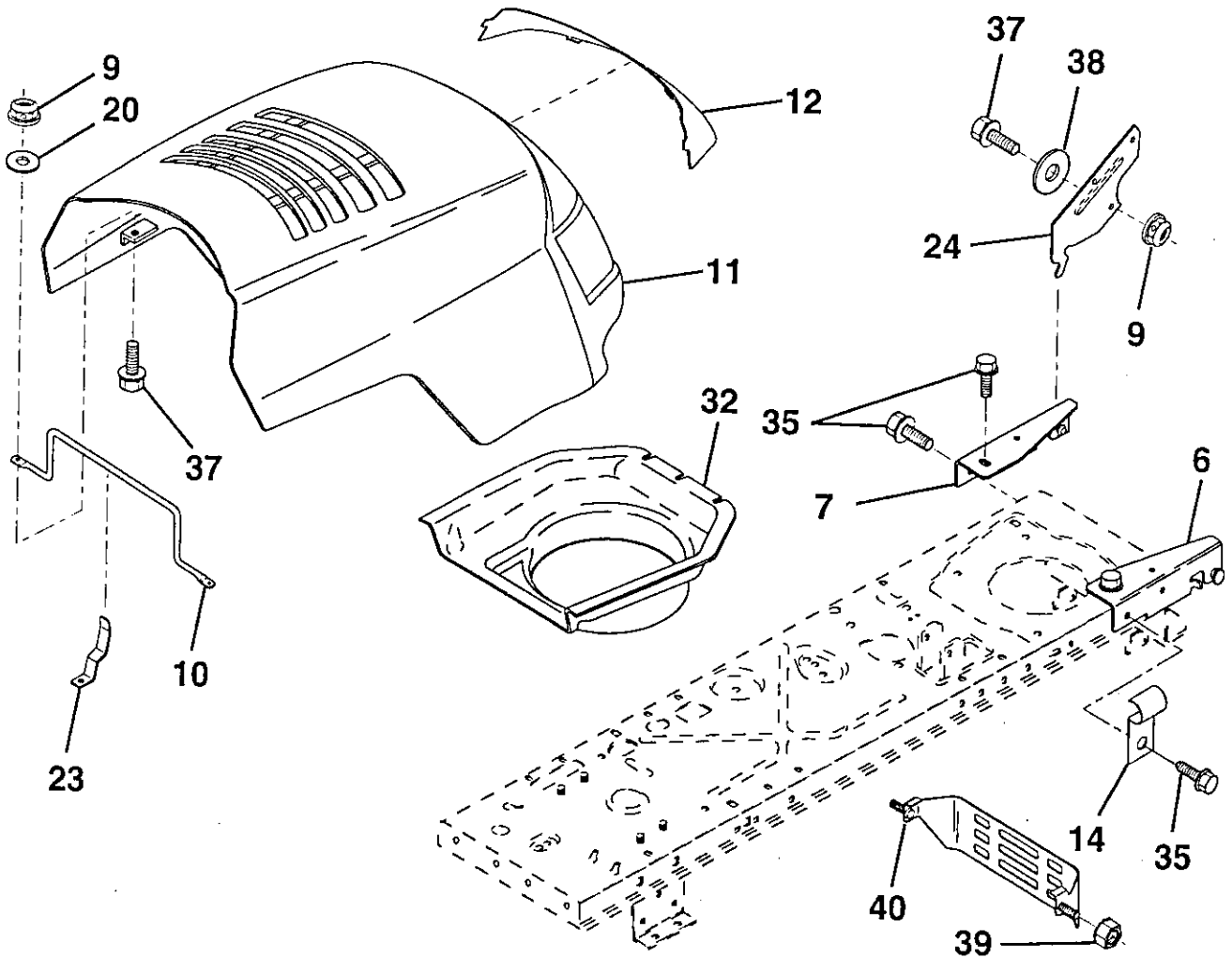
NOTE: All component dimensions given in U.S. inches.
1 inch = 25.4 mm.

HARDWARE SHOWN LARGER FOR EASIER IDENTIFICATION

REPAIR PARTS

TRACTOR - - MODEL NUMBER 917.252551

HOOD



KEY NO.	PART NO.	DESCRIPTION
6	140051	Bracket Asm. Pivot Hood RH
7	140050	Bracket Asm. Pivot Hood LH
9	73800400	Locknut W/Insert 1/4-20
10	141321	Rod Support
11	146921	Hood
12	139298	Lens Bar
14	2751R	Clip Insulated
20	19091016	Washer, Flat 1/4
23	139969	Latch Hood

KEY NO.	PART NO.	DESCRIPTION
24	139158	Bracket Pivot Hood
32	139067	Duct Air Hood
35	17490512	Screw Thdrol 5/16-28 x 3/4
37	74760412	Bolt Fin Hex 1/4-20 x 3/4
38	19092016	Washer
39	73510400	Nut Keps Hex 1/4-20
40	148833	Muffler, Guard

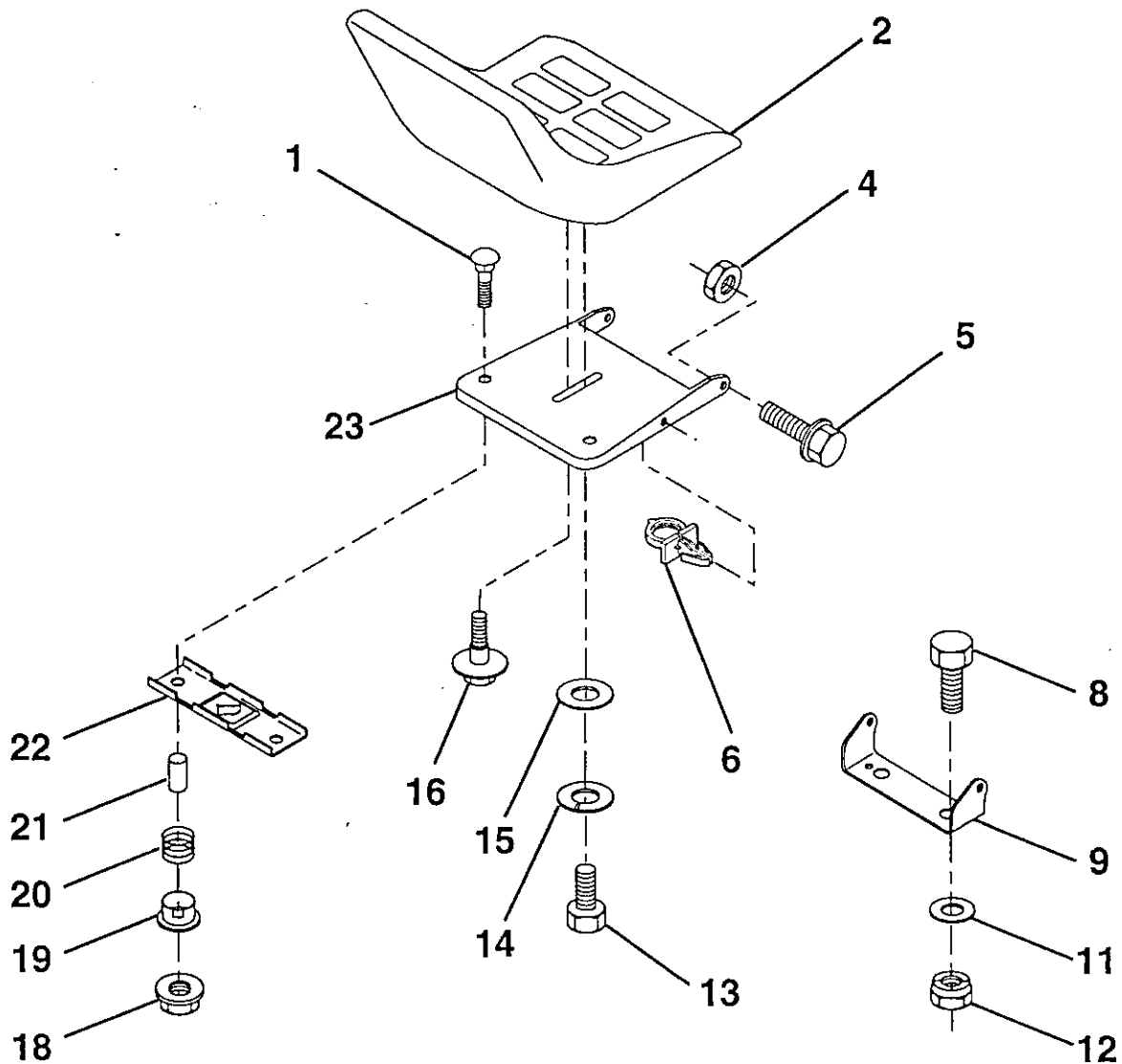
NOTE: All component dimensions given in U.S. inches
1 inch = 25.4 mm

HARDWARE SHOWN LARGER FOR EASIER IDENTIFICATION

REPAIR PARTS

TRACTOR - - MODEL NUMBER 917.252551

SEAT



KEY NO.	PART NO.	DESCRIPTION
1	72050411	Bolt, Carriage 1/4-20 x 1-3/8
2	140123	Seat
4	STD541431	Nut, Lock Hex W/Ins. 5/16-18
5	139888	Bolt, Shld. 5/16-18
6	145006	Clip, Push-In
8	STD523710	Bolt, Hex, Fin 3/8-16 UNC x 1
9	140551	Bracket, Pivot, Seat
11	19133210	Washer 13/32 x 2 x 10 Gauge
12	STD541437	Nut, Lock Hex W/Wsh 3/8-16
13	74780814	Bolt, Fin Hex 1/2 - 13 x 7/8 Gr. 5
14	STD551125	Washer Lock Hvy HLCL Spr. 1/2

KEY NO.	PART NO.	DESCRIPTION
15	19171912	Washer 17/32 x 13/16 x 12 Gauge
16	127018X	Bolt, Shoulder
18	123976X	Locknut, Hex, Large, Flange
19	121248X	Bushing, Snap
20	121250X	Spring, Compression
21	134300	Spacer, Split, Large .28 ld. x .96
22	121246X	Bracket, Switch, Mounting
23	140552	Pan, Seat

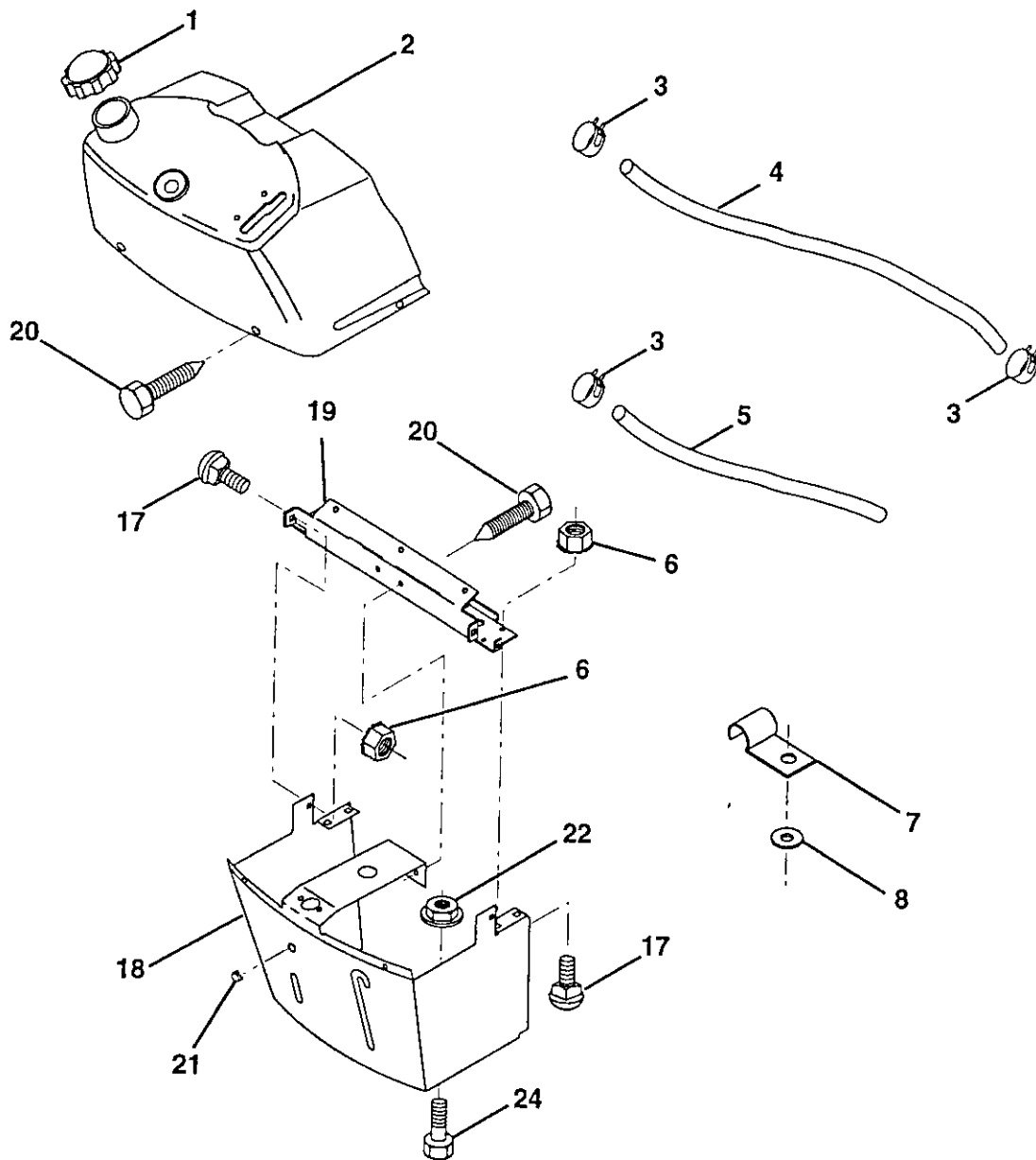
NOTE: All component dimensions given in U.S. inches
1 inch = 25.4 mm.

HARDWARE SHOWN LARGER FOR EASIER IDENTIFICATION

REPAIR PARTS

TRACTOR - - MODEL NUMBER 917.252551

DASH



KEY NO.	PART NO.	DESCRIPTION
1	141523	Cap, Fuel
2	138392	Assembly, Dash & Fuel Tank
3	123487X	Clamp, Hose
4	8544R	Line, Fuel
5	8548R	Line, Fuel
6	73640400	Nut, Hex, Keps 1/4-20
7	2751R	Clip, Fuel Line
8	STD551025	Washer 9/32 x 3/4 x 16 Gauge
17	STD532505	Bolt, Carriage 1/4-20 x 1/2 Grade 5

KEY NO.	PART NO.	DESCRIPTION
18	131886	Support Assembly, Dash
19	134744	Brace, Cross
20	17060408	Screw, Tap 1/4-20 x 1/2
21	134014	Plug, Dome
22	73970500	Nut, Lock, Hex Flange
24	17580520	Screw, Hex Head, Thdrol 5/16-18 x 1-1/4

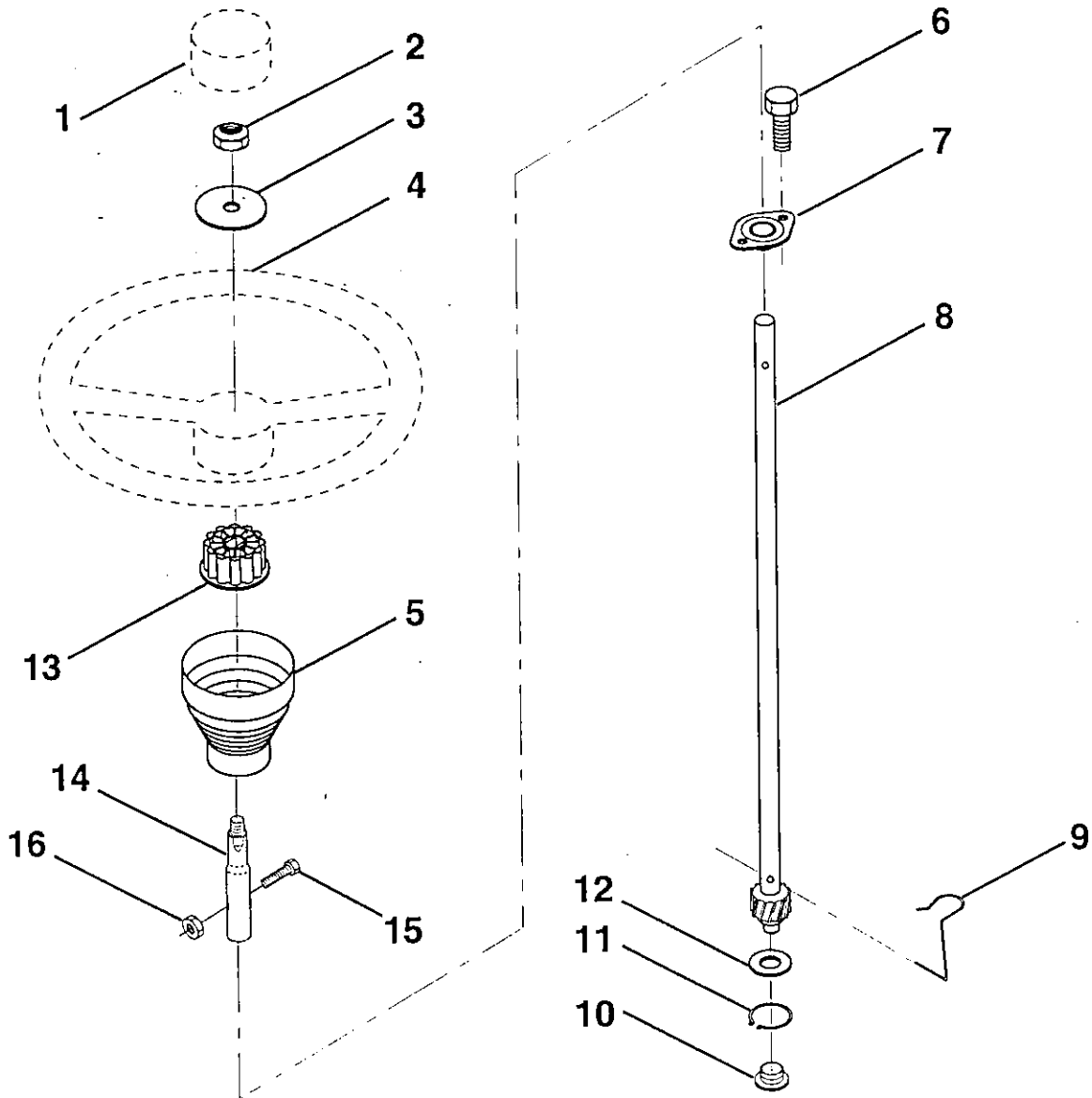
NOTE: All component dimensions given in U.S. inches.
1 inch = 25.4 mm.

HARDWARE SHOWN LARGER FOR EASIER IDENTIFICATION

REPAIR PARTS

TRACTOR -- MODEL NUMBER 917.252551

STEERING WHEEL



KEY NO.	PART NO.	DESCRIPTION
1	126805X	Insert, Steering Wheel
2	7810H	Locknut 3/8-24 UNF
3	19133808	Washer 13/32 x 2-3/8 x 8 Ga.
4	121472X	Wheel, Steering
5	121897X	Sleeve, Steering
6	STD611005	Screw, Hex Self-Tapping #10-16 x 1/2
7	102803X	Bushing, Steering
8	147391	Shaft, Steering
9	124210X	Clip, Steering

KEY NO.	PART NO.	DESCRIPTION
10	123438X	Bushing, Lower, Steering
11	12000045	Ring, Retaining
12	STD551062	Washer 21/32 x 1 x 16 Ga.
13	104820X	Adaptor, Steering Wheel
14	147392	Extension, Steering Shaft
15	74780520	Bolt 5/16-18 x 1-1/4
16	73800500	Nut 5/16-18 UNC

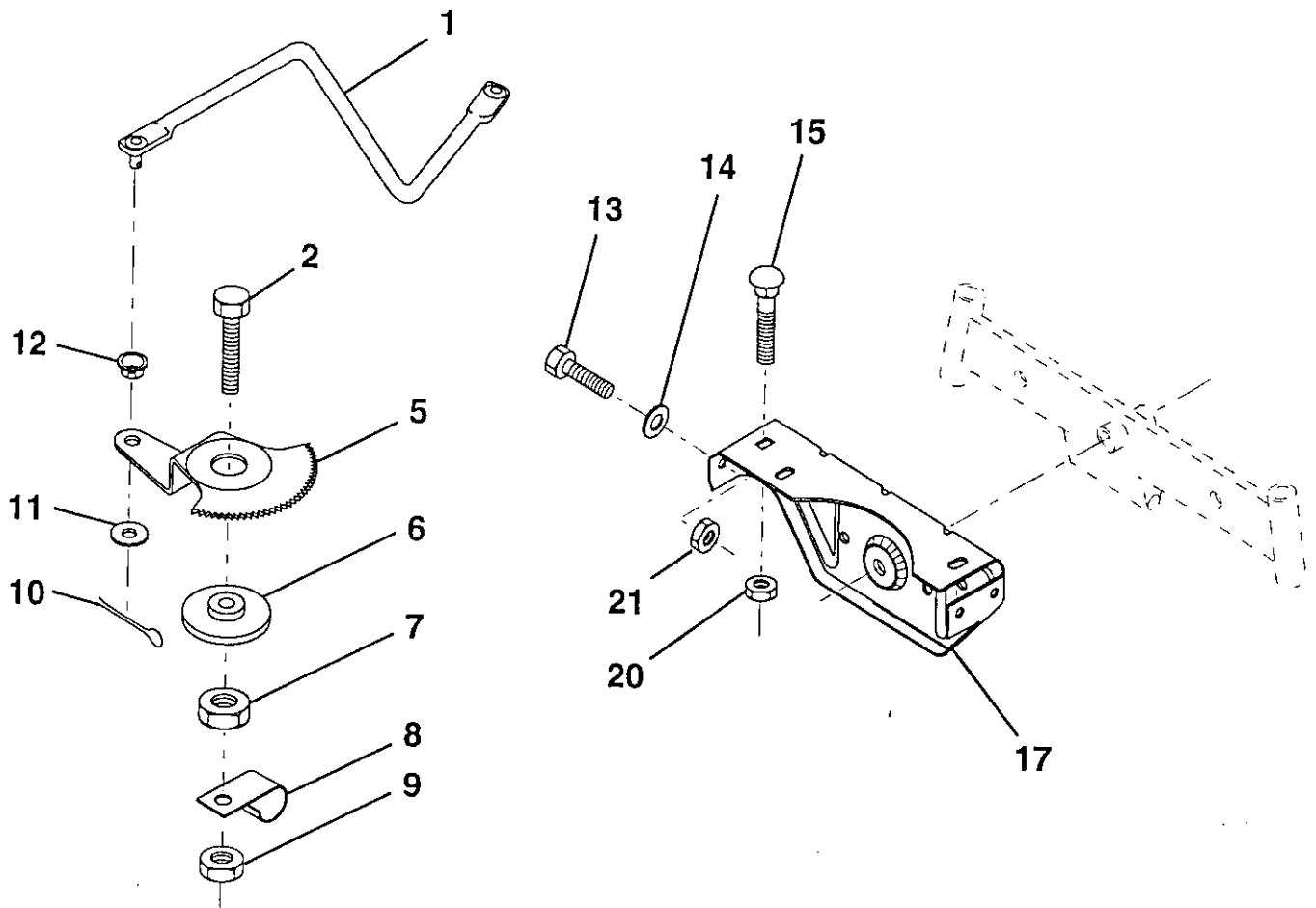
NOTE: All component dimensions given in U.S. inches
1 inch = 25.4 mm.

HARDWARE SHOWN LARGER FOR EASIER IDENTIFICATION

REPAIR PARTS

TRACTOR - - MODEL NUMBER 917.252551

SECTOR GEAR / AXLE SUPPORT



KEY NO.	PART NO.	DESCRIPTION
1	132566	Link, Drag
2	74780828	Bolt, Hex, Fin 1/2-13 x 1-3/4
5	121926X	Gear, Sector
6	121927X	Bushing
7	73030800	Nut, Hvy, Hex, Top Lock 1/2-13 UNC
8	126472X	Clip, Wire
9	STD541437	Nut, Crownlock 1/2-13
10	STD561210	Pin, Cotter 1/8 x 3/4
11	STD551037	Washer 13/32 x 13/16 x 16 Ga.

KEY NO.	PART NO.	DESCRIPTION
12	126847X	Bushing
13	STD523107	Bolt, Hex 5/16-18 x 3/4
14	19111416	Washer 11/32 x 7/8 x 16 Ga.
15	STD533707	Bolt, Carriage 3/8-16 UNC x 3/4
17	137096	Support, Front Axle
20	STD541437	Nut, Crownlock 3/8-16
21	STD541431	Nut, Crownlock 5/16-18

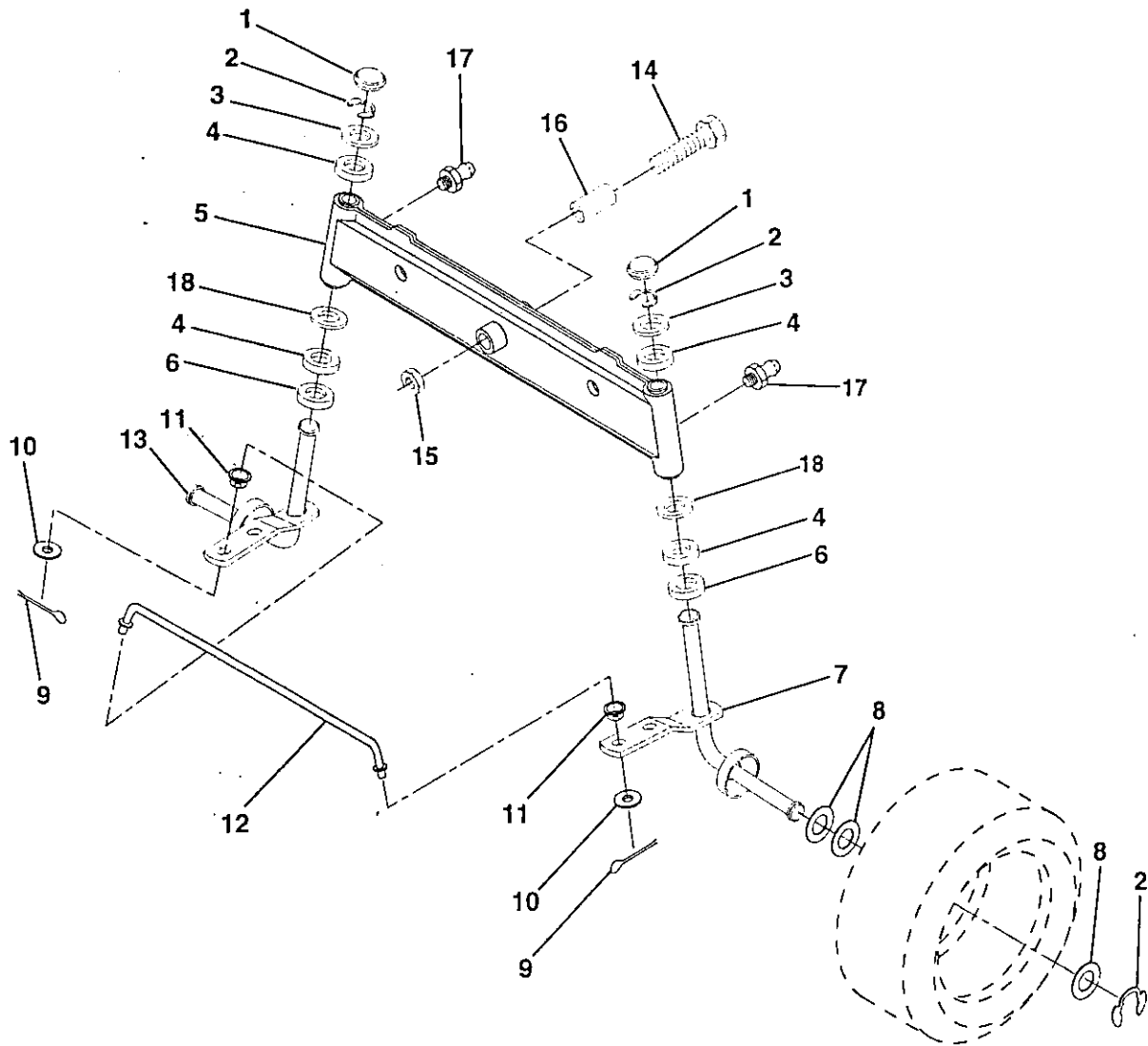
NOTE: All component dimensions given in U.S. inches
1 inch = 25.4 mm.

HARDWARE SHOWN LARGER FOR EASIER IDENTIFICATION

REPAIR PARTS

TRACTOR - - MODEL NUMBER 917.252551

FRONT AXLE



KEY NO.	PART NO.	DESCRIPTION
1	121232X	Cap, Spindle
2	12000029	Ring, Klip
3	121748X	Washer 25/32 x 1-5/8 x 16 Gauge
4	3366R	Bearing
5	142033	Axle, Front
6	6266H	Bearing, Thrust
7	137062	Spindle Assembly, R.H.
8	121749X	Washer 25/32 x 1-1/4 x 16 Gauge
9	STD561210	Pin, Cotter 1/8 x 3/4
10	STD551037	Washer 13/32 x 13/16 x 16 Gauge

KEY NO.	PART NO.	DESCRIPTION
11	126847X	Bushing
12	130465	Rod, Tie
13	137061	Spindle Assembly, L.H.
14	74011056	Bolt, Hex 5/8-11 x 3-1/2
15	73901000	Nut, Lock Flange 5/8-11
16	110438X	Spacer
17	6855M	Fitting, Grease
18	19272016	Washer 27/32 x 1-1/4 x 16 Ga.

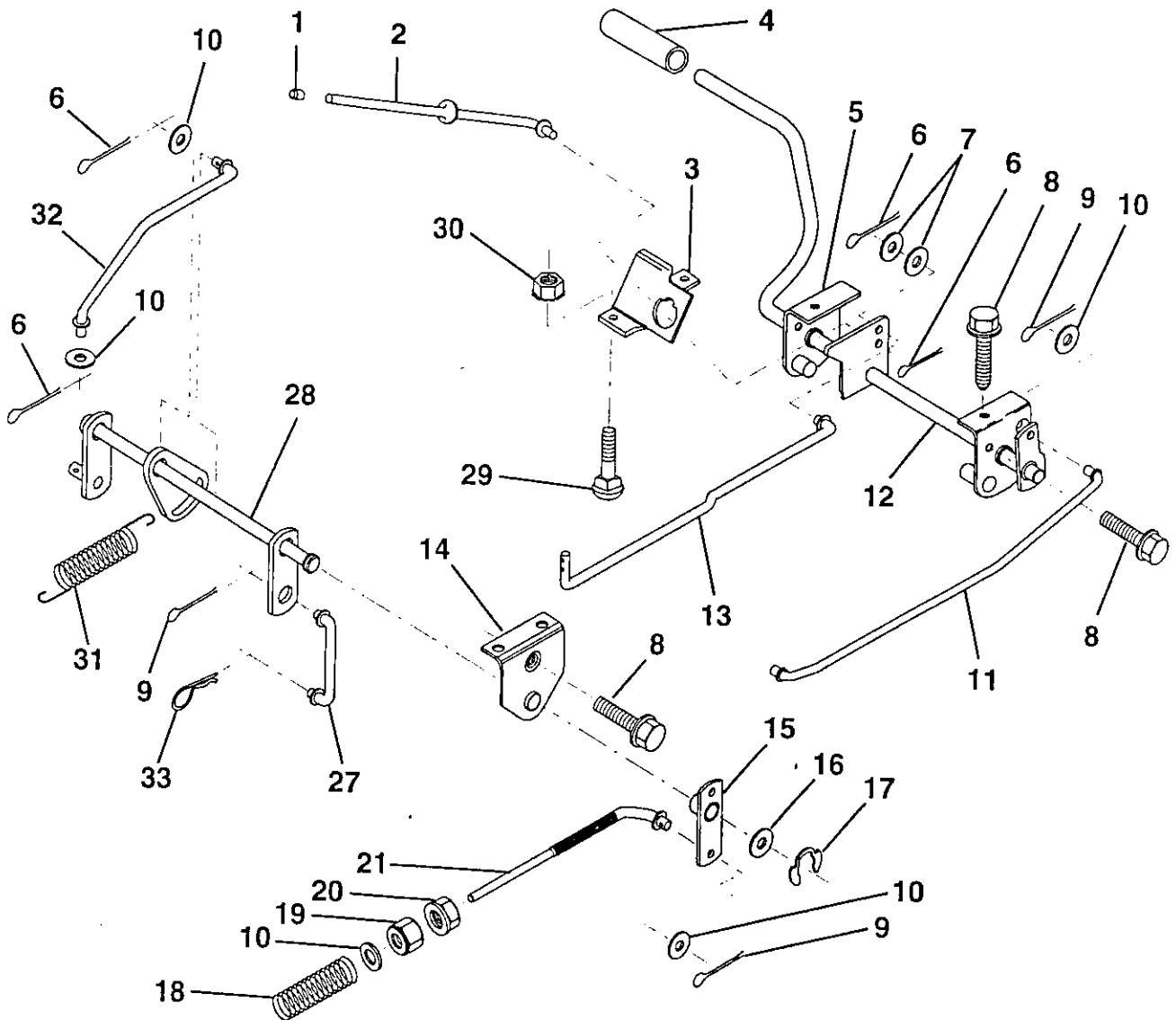
NOTE: All component dimensions given in U.S. inches
1 inch = 25.4 mm.

HARDWARE SHOWN LARGER FOR EASIER IDENTIFICATION

REPAIR PARTS

TRACTOR - - MODEL NUMBER 917.252551

BRAKE / REAR MOWER LIFT ASSEMBLY



KEY NO.	PART NO.	DESCRIPTION	KEY NO.	PART NO.	DESCRIPTION
1	124236X	Cap, Parking Brake	16	19251816	Washer 25/32 x 1-1/8 x 16 Gauge
2	123436X	Rod, Parking Brake	17	12000034	Ring, Klip
3	123437X	Bracket, Parking Brake	18	106888X	Spring, Brake Rod
4	8883R	Cover, Pedal	19	STD541437	Nut, Lock Hex W/Wsh 3/8-16
5	132205	Bracket, Pedal, Clutch LH	20	STD541237	Nut, Hex, Jam 3/8-16 UNC
6	STD560907	Pin, Cotter 3/32 x 3/4	21	131460	Rod, Rear Brake
7	STD551037	Washer 13/32 x 5/8 x 16 Gauge	27	136780	Link, Lift Rear
8	17490508	Screw, Hex, Thdrol 5/16-18 x 1/2	28	140777	Assembly, Rear Mower Lift
9	STD561210	Pin, Cotter 1/8 x 3/4	29	STD533107	Bolt, Carriage 5/16-18 UNC x 3/4
10	STD551037	Washer 13/32 x 13/16 x 16 Gauge	30	STD541431	Nut, Keps 5/16-18 UNC
11	123543X	Rod, Front Brake	31	133095	Spring Counter Balance
12	139934	Assembly, Clutch/Brake Pedal	32	133721	Link Lever Lift
13	123394X	Rod, Clutch	33	4939M	Retainer Spring
14	121978X	Bracket, Lift, Shaft			
15	133332	Assembly, Brake, Pivot, Arm			

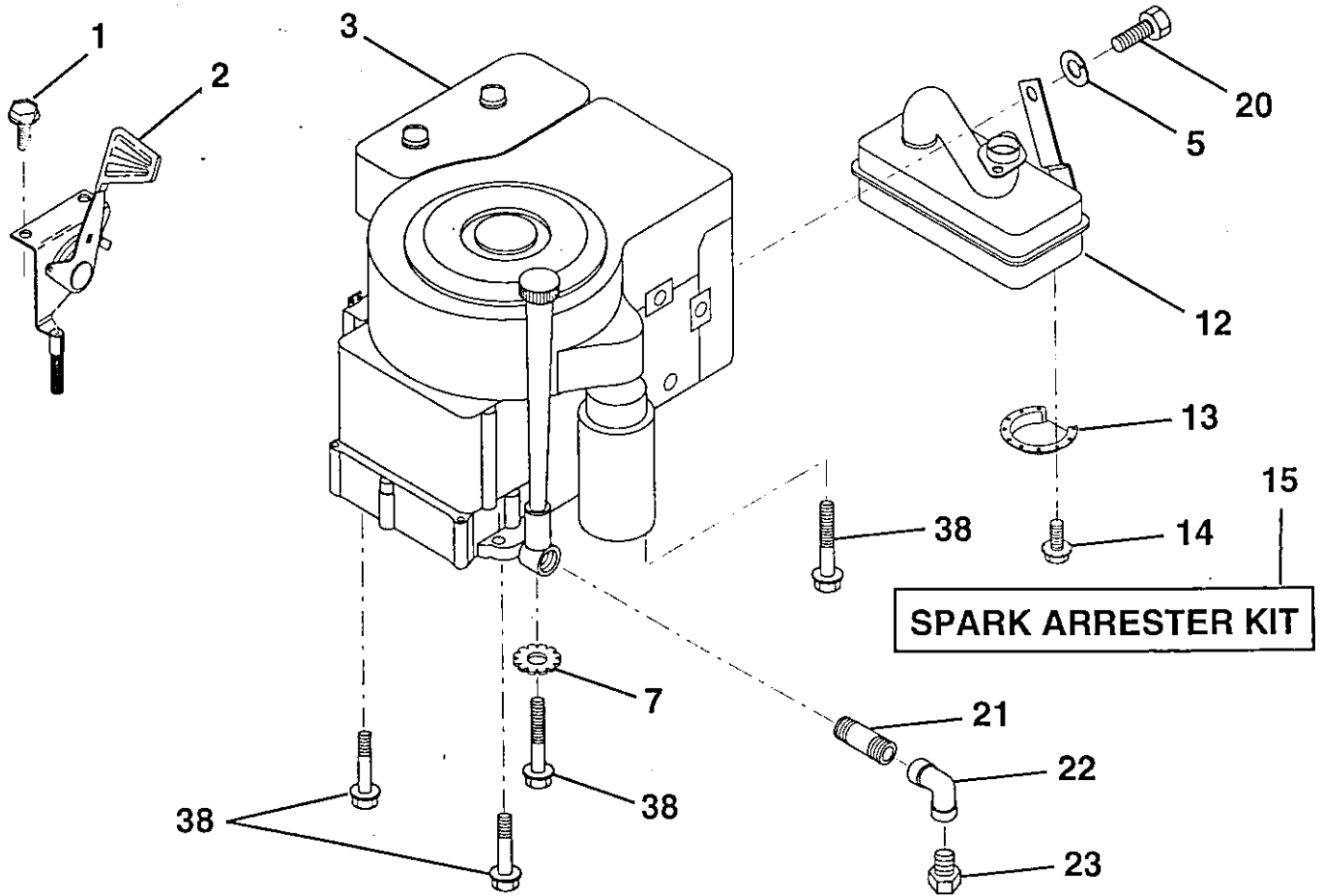
NOTE: All component dimensions given in U.S. inches
1 inch = 25.4 mm.

HARDWARE SHOWN LARGER FOR EASIER IDENTIFICATION

REPAIR PARTS

TRACTOR - - MODEL NUMBER 917.252551

ENGINE / THROTTLE



KEY NO.	PART NO.	DESCRIPTION
1	17060408	Screw, Hex, Thdcut 1/4-20 x 1/2
2	146346	Control, Throttle
3	137510	Engine, Model Kohl LT14 PS1452
5	STD551131	Washer, Lock, Hvy Hlcl Spring 5/16
7	STD551237	Washer, Lock, Ext. Tooth 3/8
12	138149	Muffler
13	101326L	Deflector Muffler
14	17030808	Screw, Spider
15	137180	Kit, Spark Arrester (Optional)

KEY NO.	PART NO.	DESCRIPTION
19	2751R	Clip, Fuel Line
20	74760508	Bolt, Hex, Head 5/16-18 x 1/2
21	13280328	Nipple, Pipe
22	13200300	Elbow Std 90 Degree
23	-----	Order from Eng. Mfg.
38	M740108025	Bolt, Hex
39	73510400	Nut Keps Hex 1/4-20

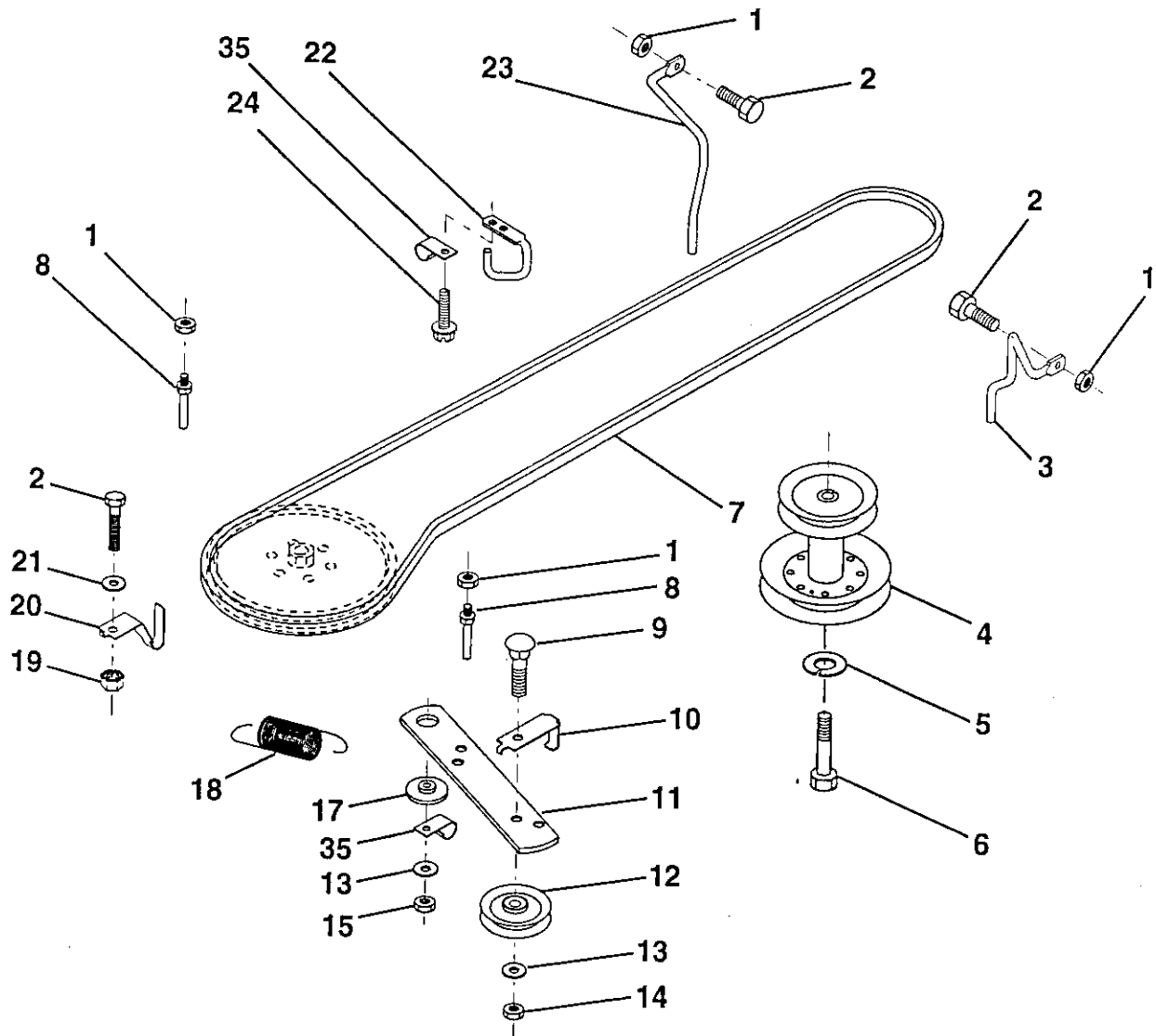
NOTE: All component dimensions given in U.S. inches.
1 inch = 25.4 mm

HARDWARE SHOWN LARGER FOR EASIER IDENTIFICATION

REPAIR PARTS

TRACTOR - - MODEL NUMBER 917.252551

GROUND DRIVE



KEY NO.	PART NO.	DESCRIPTION
1	STD541431	Nut, Lock Hex W/Ins 5/16-18
2	STD523107	Bolt, Hex 5/16-18 UNC x 3/4
3	141341	Keeper, Mower Drive Belt, Engine, R.H.
4	138029	Pulley, Engine
5	STD551143	Washer, Lock, Heavy Helical Spring 7/16
6	M747810075	Bolt, Hex, 7/16-20 x 2-3/4 Grade 5
7	124525X	Traction, V-Belt Drive
8	123405X	Keeper, T/A Ground Drive Belt
9	STD533715	Bolt, Carriage 3/8-16 UNC x 1-1/2
10	123396X	Keeper, Ground Drive Belt, Idler
11	140911	Arm, Ground Drive Clutch
12	123674X	Idler, Flat

KEY NO.	PART NO.	DESCRIPTION
13	STD551037	Washer 13/32 x 13/16 x 16 Gauge
14	73930600	Nut, Centerlock 3/8-16 UNC
15	73680600	Nut, Lock Hex W/Wsh 3/8-16
17	122052X	Spacer, Retainer
18	131459	Spring, Extension
19	STD541431	Nut, Keps 5/16-18 UNC
20	139919	Keeper, T/A Ground Drive Belt
21	19111016	Washer 11/32 x 5/8 x 16 Gauge
22	123404X	Keeper, Ground Drive Belt, Frame
23	146792	Keeper, Mower Drive Belt, L.H.
24	17720408	Screw Thdcut 14-20 x 1/2
35	126472X	Clip, Insulated

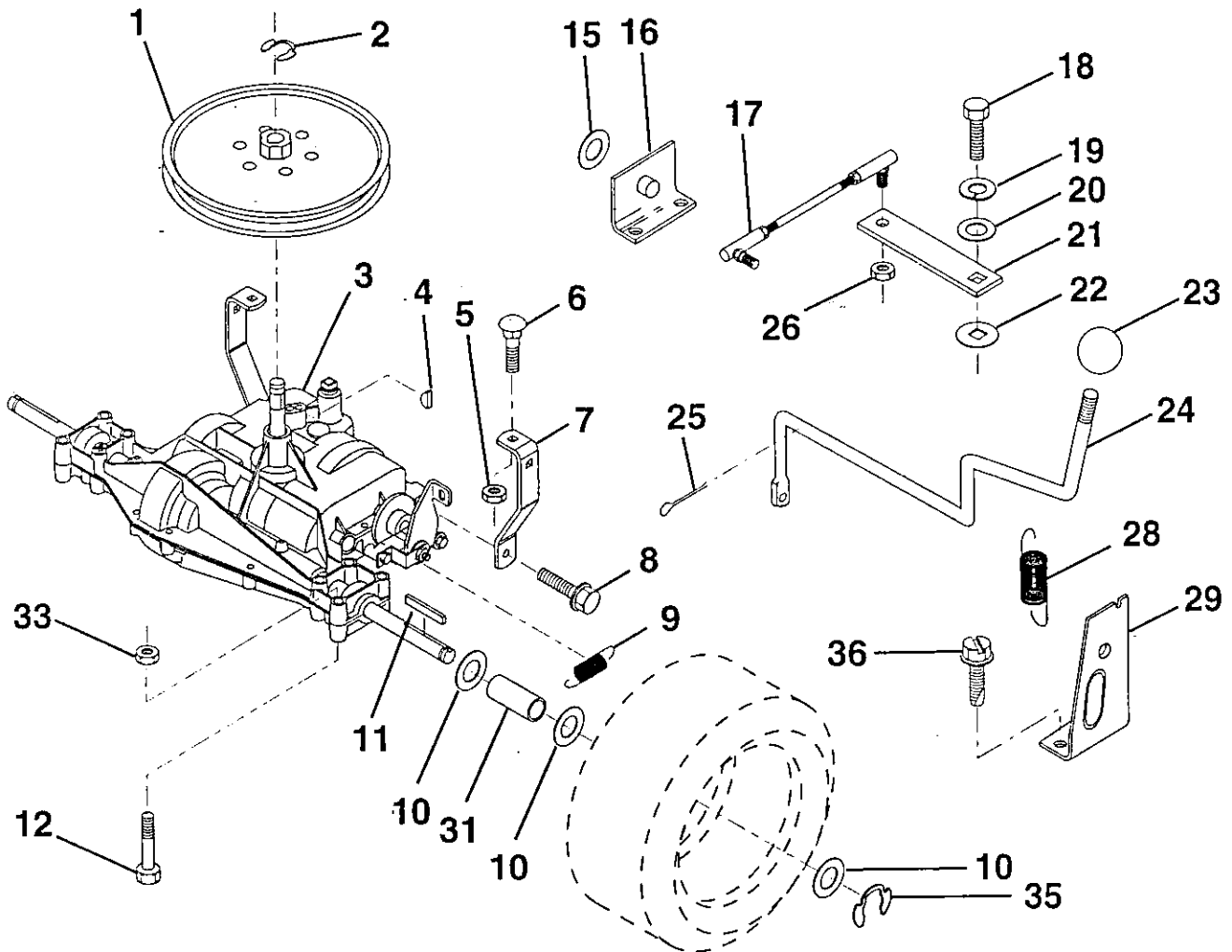
NOTE: All component dimensions given in U.S. inches.
1 inch = 25.4 mm

HARDWARE SHOWN LARGER FOR EASIER IDENTIFICATION

REPAIR PARTS

TRACTOR - - MODEL NUMBER 917.252551

TRANSAXLE



KEY NO.	PART NO.	DESCRIPTION
1	123385X	Pulley
2	12000028	Ring, Retainer
3	142602	Transaxle Model Number 4360-78
4	2228M	Key, Woodruff #9
5	STD541431	Nut, Lock Hex 5/16-18
6	STD533107	Bolt, Carriage 5/16-18 UNC x 3/4
7	123378X	Strap, Torque
8	17490512	Screw 5/16-18 x 3/4
9	146682	Spring, Brake
10	121749X	Washer 25/32 x 1-1/4 x 16 Gauge
11	123583X	Key, Square
12	STD523727	Bolt Fin Hex 5/16-18 x 2-1/2
15	STD551050	Washer 17/32 x 16 Ga.
16	124600X	Support, Handle Shift
17	123632X	Link, Shift
18	74550412	Bolt, Hex, Fin. 1/4-28 UNF x 3/4 Grade 8

KEY NO.	PART NO.	DESCRIPTION
19	STD551125	Washer, Lock 1/4
20	19091210	Washer 9/32 x 3/4 x 10 Gauge
21	123484X	Arm, Shift
22	105701X	Washer, Shift Plate
23	130564	Knob, Deluxe
24	130714	Rod, Shift
25	STD561210	Pin, Cotter 1/8 x 1
26	STD541531	Nut, Hex, Nylon 5/16-24 UNF
28	128085	Spring, Extension
29	128084	Support, Handle, Shift, R.H.
31	109502X	Spacer, Split
33	73680600	Nut, Crownlock 3/8-16 UNC
35	12000001	E-Ring
36	17720408	Screw Thdcut

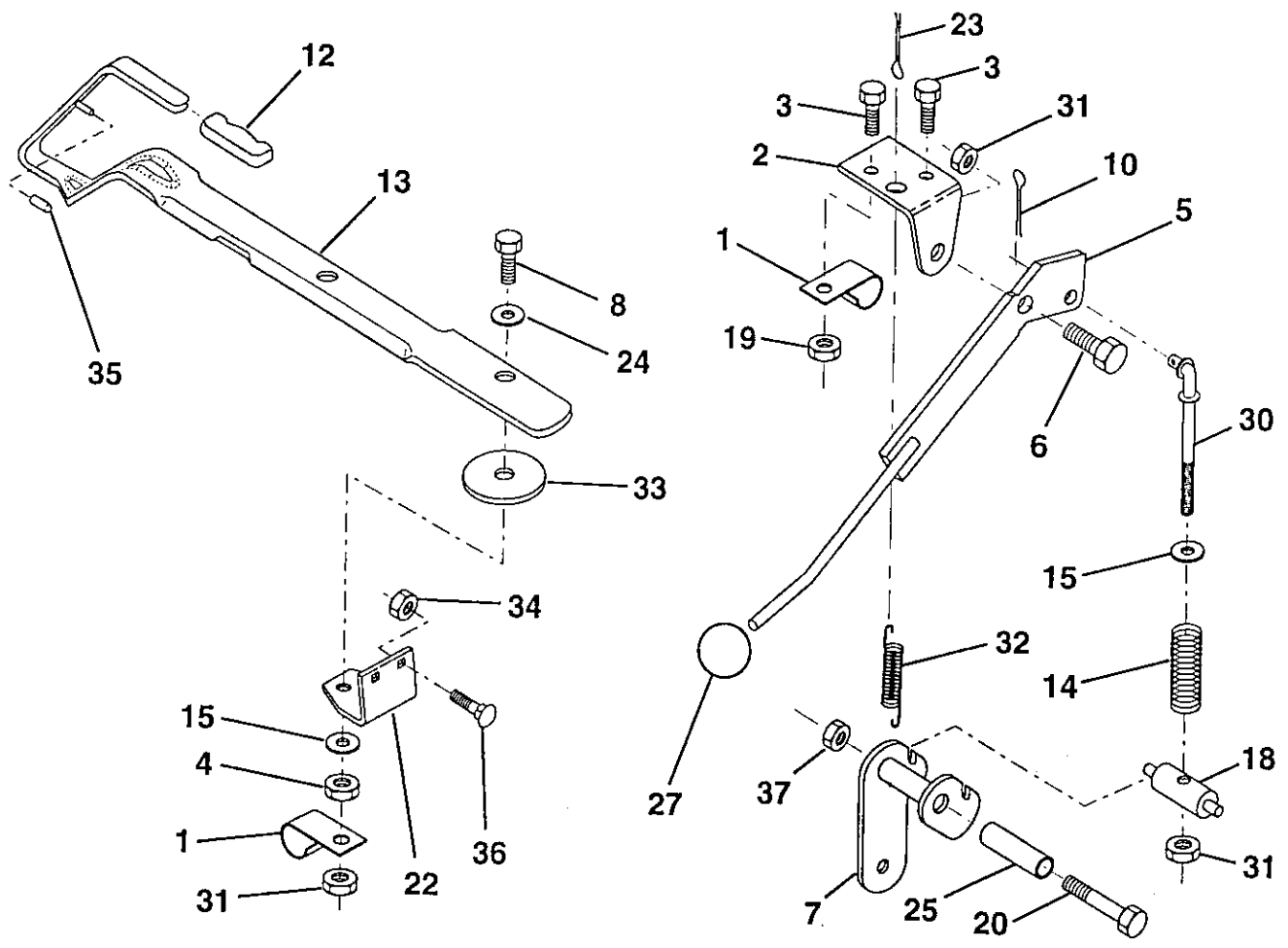
NOTE: All component dimensions given in U.S. inches.
1 inch = 25.4 mm.

HARDWARE SHOWN LARGER FOR EASIER IDENTIFICATION

REPAIR PARTS

TRACTOR - - MODEL NUMBER 917.252551

MOWER LIFT LEVER



KEY NO.	PART NO.	DESCRIPTION
1	126470X	Clip, Insulated
2	122018X	Bracket, Mower Clutch
3	71110408	Bolt, Hex, Fin 1/4-20 UNC x 1/2 Grade 5
4	STD541437	Nut, Lock Hex W/Wsh 3/8-16
5	145187	Assembly, Clutch Lever
6	106451X	Bolt, Shoulder
7	141435	Assembly, Mower Clutch Arm
8	74930624	Bolt, Hex 3/8-16 x 1-1/2
10	STD560907	Pin, Cotter 1/8 x 3/4
12	122027X	Handle, Lift Lever
13	136658	Lever, Lift
14	133939	Spring, Compression, Clutch
15	19131616	Washer 13/32 x 1 x 16 Gauge
18	135107	Trunnion
19	73680400	Nut, Crownlock 1/4-20

KEY NO.	PART NO.	DESCRIPTION
20	STD523727	Bolt, Hex, Fin. 3/8-16 UNC x 2-3/4
22	132561	Bracket, Lift Lever
23	STD561210	Pin, Cotter 3/32 x 3/4
24	7672J	Washer 17/32 x 1 x 16 Gauge
25	121933X	Tube, Spacer
27	106932X	Knob
30	135039	Rod, Tension, Clutch
31	STD541437	Nut, Lock Hex W/Wsh 3/8-16
32	133435	Spring, Extension, Return
33	62333	Washer
34	STD541431	Nut, Crownlock 5/16-18
35	133603	Cap, Vinyl, Red
36	STD533107	Bolt, Carriage 5/16-18 x 3/4
37	STD541437	Nut, Lock Hex W/Wsh 3/8-16

NOTE: All component dimensions given in U.S. inches.
1 inch = 25.4 mm.

HARDWARE SHOWN LARGER FOR EASIER IDENTIFICATION