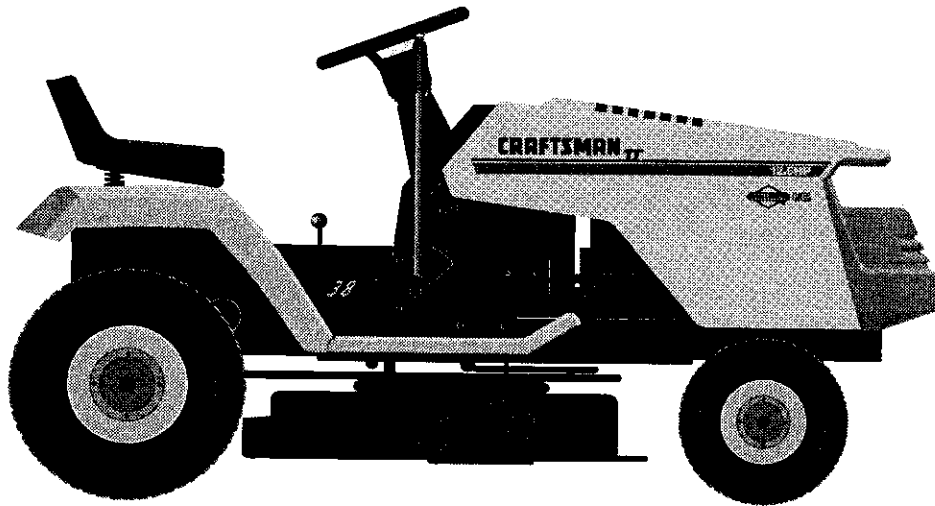


**SEARS**

# **CRAFTSMAN®**

**MODEL NUMBER 917.252450 OWNER'S MANUAL**

- **Assembly**
- **Operation**
- **Customer Responsibilities**
- **Service and Adjustments**
- **Repair Parts**



**CAUTION: Read and follow all safety rules and instructions before operating this equipment.**

**Sears, Roebuck and Co., Hoffman Estates, IL 60179 U.S.A.**



# SAFETY RULES

## Safe Operation Practices for Ride-On Mowers



**IMPORTANT:** THIS CUTTING MACHINE IS CAPABLE OF AMPUTATING HANDS AND FEET AND THROWING OBJECTS. FAILURE TO OBSERVE THE FOLLOWING SAFETY INSTRUCTIONS COULD RESULT IN SERIOUS INJURY OR DEATH.

### I. GENERAL OPERATION

- Read, understand, and follow all instructions in the manual and on the machine before starting.
- Only allow responsible adults, who are familiar with the instructions, to operate the machine.
- Clear the area of objects such as rocks, toys, wire, etc., which could be picked up and thrown by the blade.
- Be sure the area is clear of other people before mowing. Stop machine if anyone enters the area.
- Never carry passengers.
- Do not mow in reverse unless absolutely necessary. Always look down and behind before and while backing.
- Be aware of the mower discharge direction and do not point it at anyone. Do not operate the mower without either the entire grass catcher or the guard in place.
- Slow down before turning.
- Never leave a running machine unattended. Always turn off blades, set parking brake, stop engine, and remove keys before dismounting.
- Turn off blades when not mowing.
- Stop engine before removing grass catcher or unclogging chute.
- Mow only in daylight or good artificial light.
- Do not operate the machine while under the influence of alcohol or drugs.
- Watch for traffic when operating near or crossing roadways.
- Use extra care when loading or unloading the machine into a trailer or truck.

### II. SLOPE OPERATION

Slopes are a major factor related to loss-of-control and tipover accidents, which can result in severe injury or death. All slopes require extra caution. If you cannot back up the slope or if you feel uneasy on it, do not mow it.

#### DO:

- Mow up and down slopes, not across.
- Remove obstacles such as rocks, tree limbs, etc.
- Watch for holes, ruts, or bumps. Uneven terrain could overturn the machine. *Tall grass can hide obstacles.*
- Use slow speed. Choose a low gear so that you will not have to stop or shift while on the slope.
- Follow the manufacturer's recommendations for wheel weights or counterweights to improve stability.
- Use extra care with grass catchers or other attachments. These can change the stability of the machine.
- Keep all movement on the slopes *slow* and *gradual*. Do not make sudden changes in speed or direction.
- Avoid starting or stopping on a slope. If tires lose traction, disengage the blades and proceed slowly *straight* down the slope.

#### DO NOT:

- *Do not* turn on slopes unless necessary, and then, turn slowly and gradually downhill, if possible.
- *Do not* mow near drop-offs, ditches, or embankments. The mower could suddenly turn over if a wheel is over the edge of a cliff or ditch, or if an edge caves in.
- *Do not* mow on wet grass. Reduced traction could cause sliding.
- *Do not* try to stabilize the machine by putting your foot on the ground.
- *Do not* use grass catcher on steep slopes.

### III. CHILDREN

Tragic accidents can occur if the operator is not alert to the presence of children. Children are often attracted to the machine and the mowing activity. *Never* assume that children will remain where you last saw them.

- Keep children out of the mowing area and under the watchful care of another responsible adult.
- Be alert and turn machine off if children enter the area.
- Before and when backing, look behind and *down* for small children.
- Never carry children. They may fall off and be seriously injured or interfere with safe machine operation.
- Never allow children to operate the machine.
- Use extra care when approaching blind corners, shrubs, trees, or other objects that may obscure vision.

### IV. SERVICE

- Use extra care in handling gasoline and other fuels. They are flammable and vapors are explosive.
  - Use only an approved container.
  - Never remove gas cap or add fuel with the engine running. Allow engine to cool before refueling. Do not smoke.
  - Never refuel the machine indoors.
  - Never store the machine or fuel container inside where there is an open flame, such as a water heater.
- Never run a machine inside a closed area.
- Keep nuts and bolts, especially blade attachment bolts, tight and keep equipment in good condition.
- Never tamper with safety devices. Check their proper operation regularly.
- Keep machine free of grass, leaves, or other debris build-up. Clean oil or fuel spillage. Allow machine to cool before storing.
- Stop and inspect the equipment if you strike an object. Repair, if necessary, before restarting.
- Never make adjustments or repairs with the engine running.
- Grass catcher components are subject to wear, damage, and deterioration, which could expose moving parts or allow objects to be thrown. Frequently check components and replace with manufacturer's recommended parts, when necessary.
- Mower blades are sharp and can cut. Wrap the blade(s) or wear gloves, and use extra caution when servicing them.
- Check brake operation frequently. Adjust and service as required.



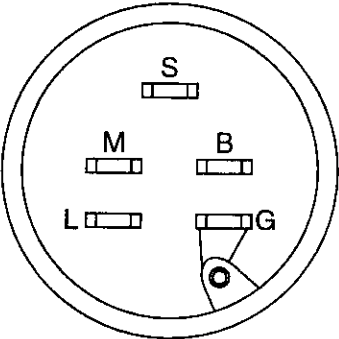
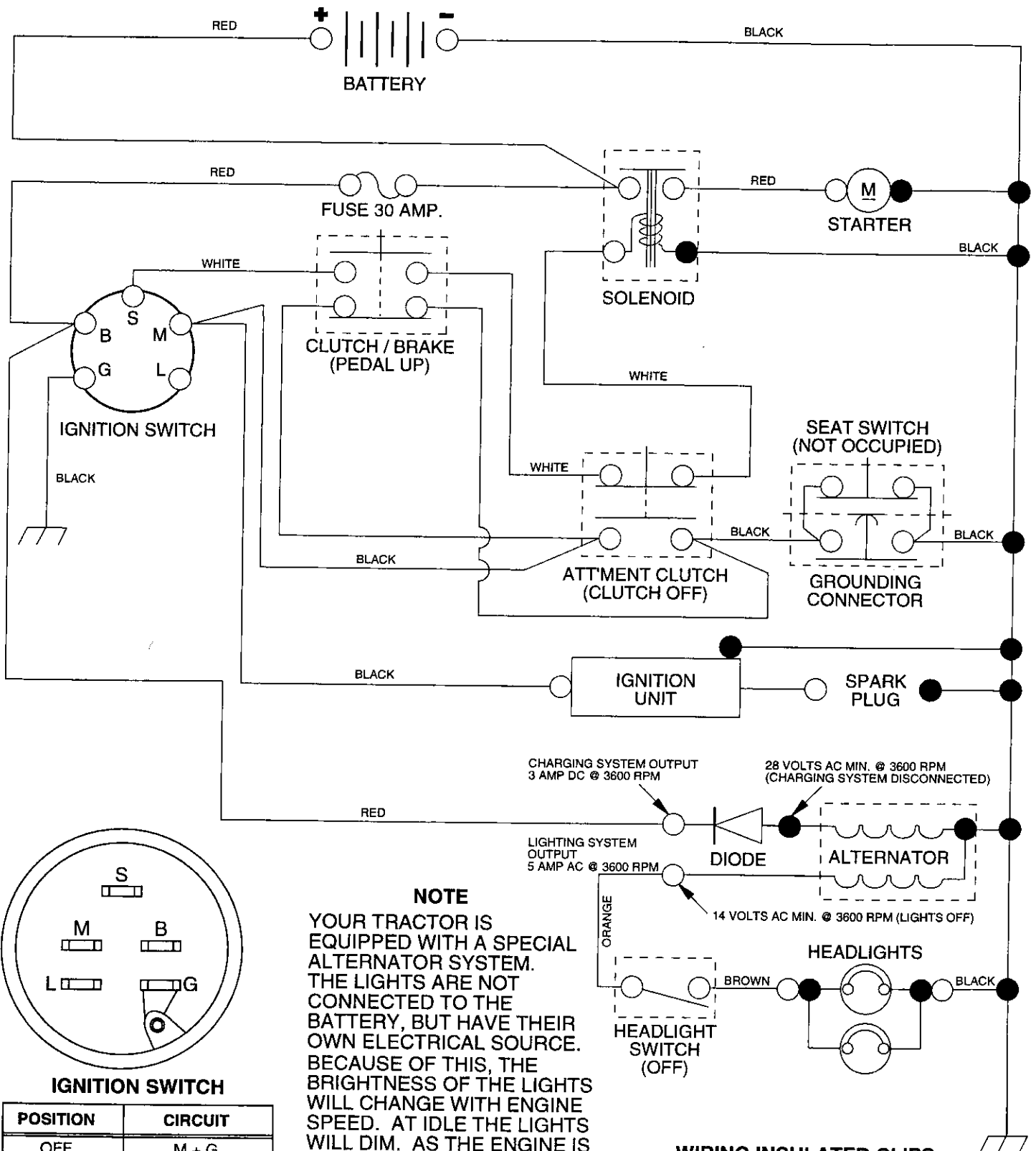
**Look for this symbol to point out important safety precautions. It means CAUTION!!! BECOME ALERT!!! YOUR SAFETY IS INVOLVED.**



**CAUTION: Always disconnect spark plug wire and place wire where it cannot contact spark plug in order to prevent accidental starting when setting up, transporting, adjusting or making repairs.**

# TRACTOR - - MODEL NUMBER 917.252450

## SCHEMATIC



**IGNITION SWITCH**

| POSITION | CIRCUIT   |
|----------|-----------|
| OFF      | M + G     |
| ON       | B + L     |
| START    | B + S + L |

**NOTE**  
 YOUR TRACTOR IS EQUIPPED WITH A SPECIAL ALTERNATOR SYSTEM. THE LIGHTS ARE NOT CONNECTED TO THE BATTERY, BUT HAVE THEIR OWN ELECTRICAL SOURCE. BECAUSE OF THIS, THE BRIGHTNESS OF THE LIGHTS WILL CHANGE WITH ENGINE SPEED. AT IDLE THE LIGHTS WILL DIM. AS THE ENGINE IS SPEEDED UP, THE LIGHTS WILL BECOME THEIR BRIGHTEST.

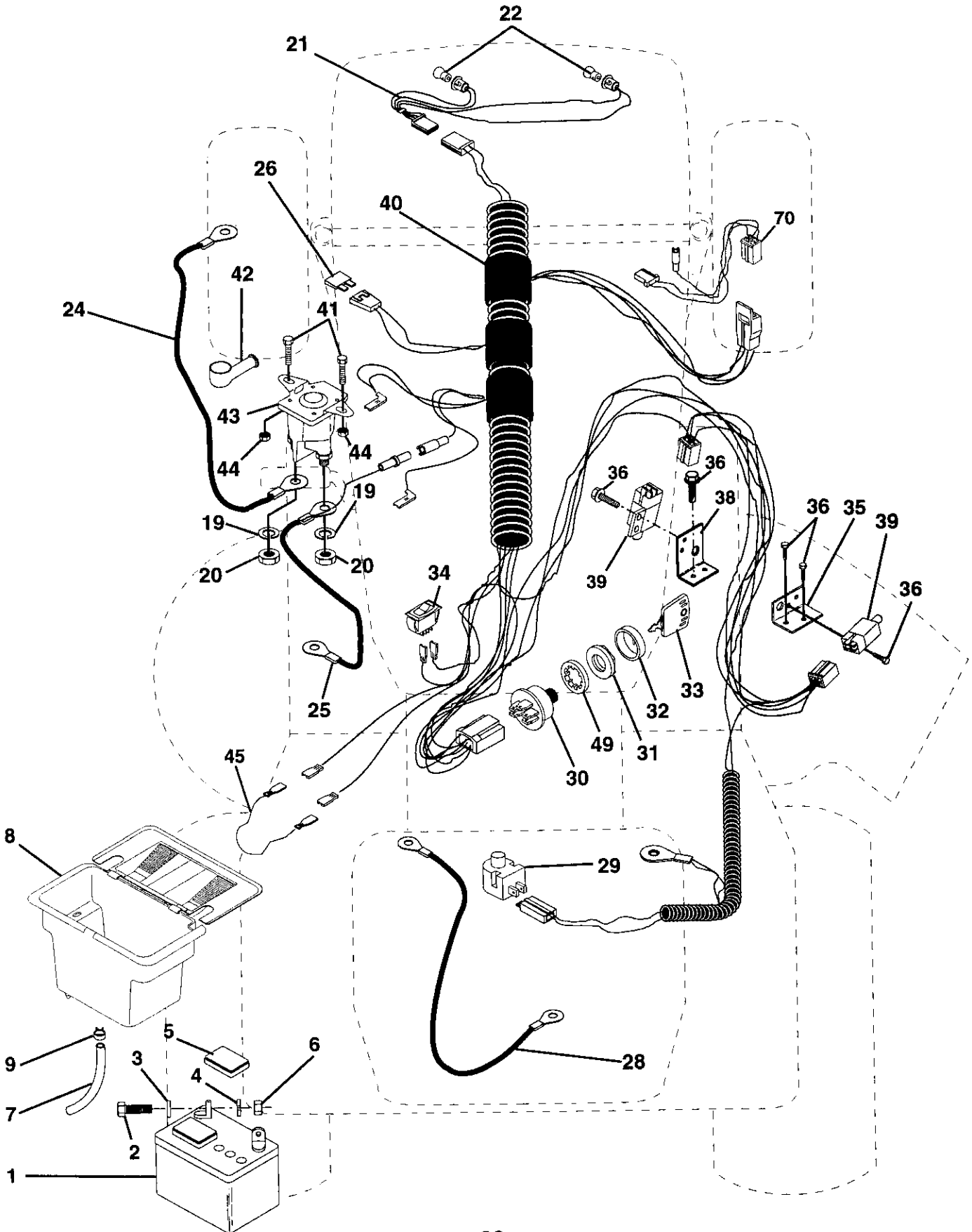
**WIRING INSULATED CLIPS**  
**NOTE:** IF WIRING INSULATED CLIPS WERE REMOVED FOR SERVICING OF UNIT, THEY SHOULD BE REPLACED TO PROPERLY SECURE YOUR WIRING.

● NON-REMOVABLE CONNECTIONS      ○ REMOVABLE CONNECTIONS

# REPAIR PARTS

TRACTOR - - MODEL NUMBER 917.252450

## ELECTRICAL



# REPAIR PARTS

## TRACTOR - - MODEL NUMBER 917.252450

### ELECTRICAL

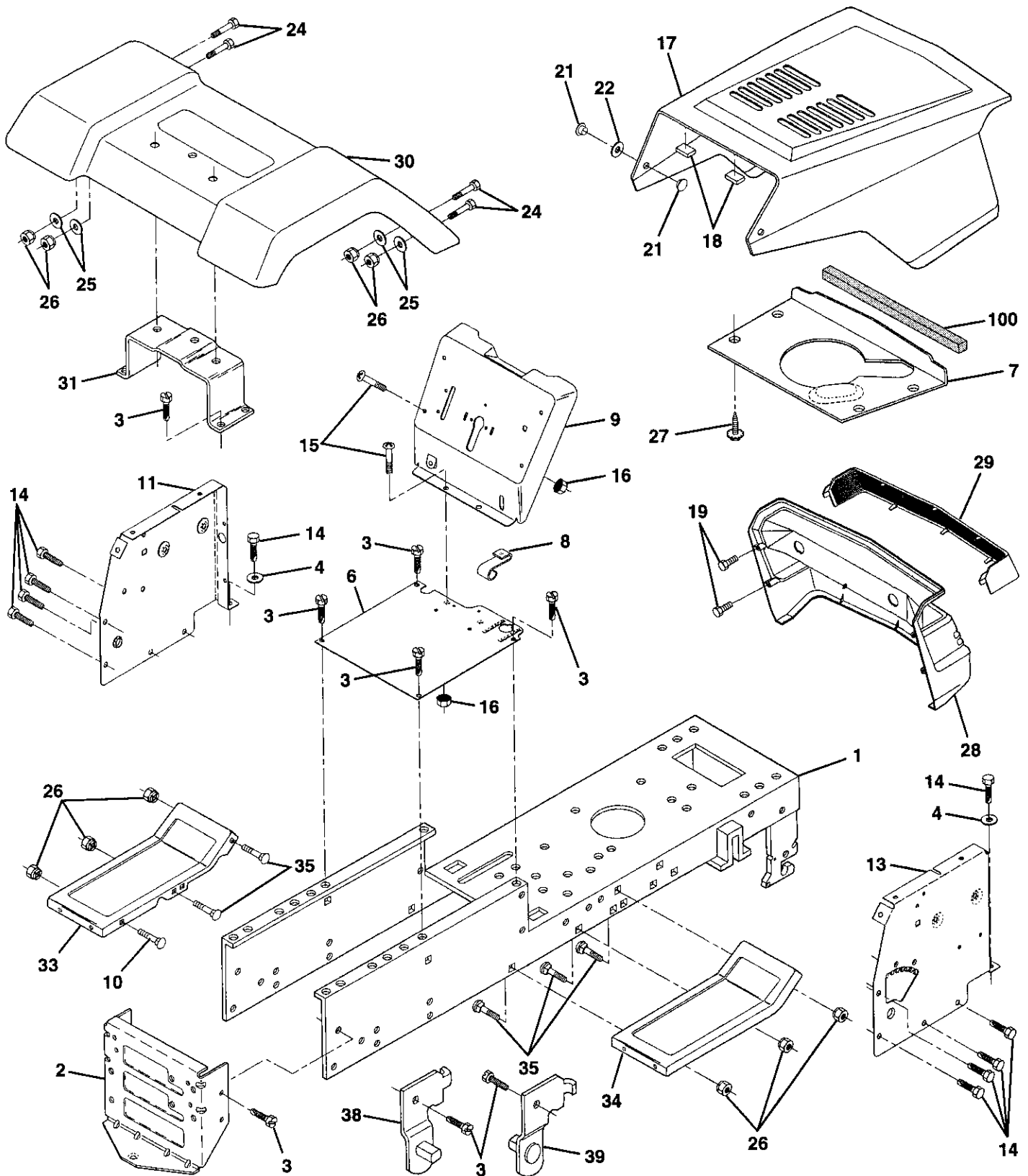
| KEY NO. | PART NO. | DESCRIPTION                        |
|---------|----------|------------------------------------|
| 1       | 121265X  | Battery 12 Volt 25 AMP             |
| 2       | 74760412 | Bolt Hex Hd 1/4-20unc X 3/4        |
| 3       | 19091016 | Washer 9/32 X 5/8 X 16 Ga          |
| 4       | 10040400 | Washer Lock Hvy Helical 1/4        |
| 5       | 121264X  | Caps Battery 20/25/30 AMP          |
| 6       | 73220400 | Nut Fin Hex 1/4-20 Unc             |
| 7       | 109238X  | Tube Plastic 12"                   |
| 8       | 129965   | Case Battery Hng Mech W/lid        |
| 9       | 109596X  | Clamp Hose Olive                   |
| 19      | 10090400 | Washer Lock 1/4                    |
| 20      | 73350400 | Nut Jam Hex 1/4-20 Unc             |
| 21      | 136850   | Harness Asm Light W/4152j          |
| 22      | 4152J    | Bulb Light #1156                   |
| 24      | 4799J    | Cable Battery 6 Ga 11" red         |
| 25      | 146147   | Cable Battery 6 Ga red w/16 Wire   |
| 26      | 108824X  | Fuse 30 AMP Auto Green             |
| 28      | 4207J    | Cable Ground 6 Ga 12" black        |
| 29      | 121305X  | Switch Plunger Nc Gray             |
| 30      | 144921   | Switch Ign 3 pos                   |
| 31      | 140400   | Nut Ignition                       |
| 32      | 141226   | Cover Sw Key Blk 1 25 Text SLT     |
| 33      | 140403   | Key Ign Molded Craftsman           |
| 34      | 110712X  | Switch Light Blk Blk Red           |
| 35      | 140336   | Bracket Switch Interlock           |
| 36      | 17021008 | Screw Tap Hex #10-24unc X 1/2      |
| 38      | 108236X  | Bracket Switch Clutch              |
| 39      | 109553X  | Switch Intlk Clutch Red 4 Term     |
| 40      | 146057   | Harness Ign Dash Lt IPC Mch 95     |
| 41      | 71110412 | Bolt Blk. Fin Hex 1/4-20 Unc x 3/4 |
| 42      | 131563   | Cover Terminal Red                 |
| 43      | 145673   | Solenoid                           |
| 44      | 73800400 | Nut Lock w/Insert 1/4-20 Unc       |
| 45      | 140844   | Adapter Ammeter Rectangular        |
| 49      | 11151000 | Washer Lock Internal Tooth 5/8     |
| 70      | 140413   | Harness Engine B&S5                |

**NOTE:** All component dimensions give in U.S. inches  
1 inch = 25.4 mm

# REPAIR PARTS

TRACTOR - - MODEL NUMBER 917.252450

## CHASSIS AND ENCLOSURES



# REPAIR PARTS

## TRACTOR - - MODEL NUMBER 917.252450

### CHASSIS AND ENCLOSURES

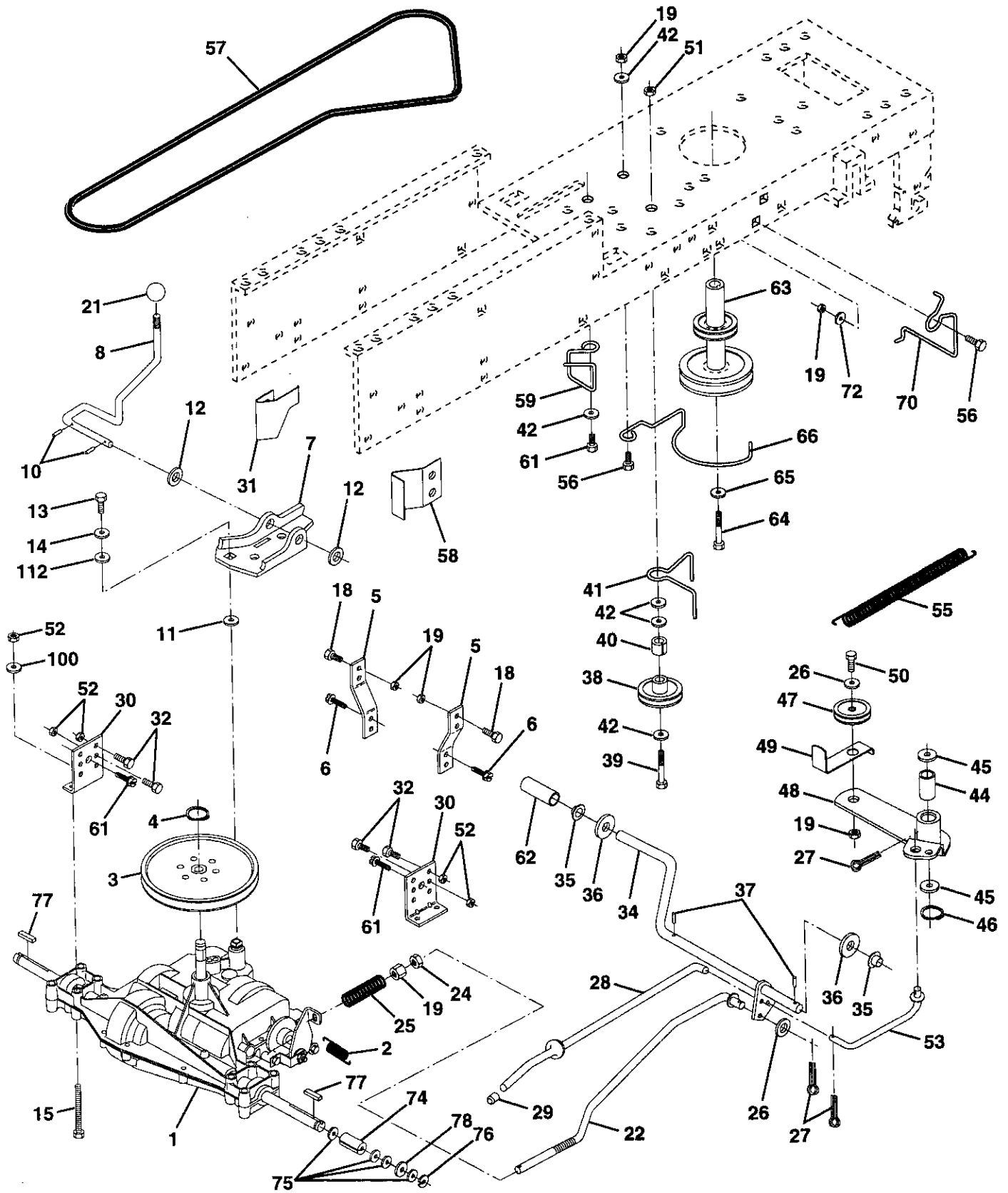
| KEY NO. | PART NO.   | DESCRIPTION                           |
|---------|------------|---------------------------------------|
| 1       | 145501     | Chassis Weldment 11ga 1995            |
| 2       | 140356     | Drawbar Stretch                       |
| 3       | 17490612   | Screw Thdrol 3/8-16x3/4 Ty-tt         |
| 4       | STD551025  | Washer 13/32 x 3/4 x 16 Ga.           |
| 6       | 145208X015 | Saddle Silkscreen Flt Sdl 5Sp D4360   |
| 7       | 124027X    | Heat Shield Sloped Hood               |
| 8       | 126471X    | Clip Line Fuel 13/32 Mtg Hole         |
| 9       | 146757X013 | Dash Silkscreened Sears Eng/Sy        |
| 10      | STD533710  | Bolt, Carriage 3/8-16 x 1             |
| 11      | 135464     | Panel Pnt Dash Lh                     |
| 13      | 124031X012 | Panel Silkscr Dash Rh Weldment        |
| 14      | 17490608   | Screw Thdrol 3/8-16x1/2 Ty-tt         |
| 15      | 74180512   | Screw Mach Trhd 5/16-18uncx3/4        |
| 16      | STD541431  | Nut Keps 5/16-18 Unc                  |
| 17      | 131445X417 | Hood Asm Pnt Weld Silver Powde        |
| 18      | 126938X    | Bumper Hood                           |
| 19      | 17521312   | Screw Slt'd Hex Hd w/Pl Washer        |
| 21      | 122933X    | Rivet Ratchet Nylon                   |
| 22      | 124479X    | Washer Nylon Blk 28x 75x 19           |
| 24      | STD523710  | Bolt Fin Hex 3/8-16unc X 1            |
| 25      | 19131312   | Washer 13/16 X 13/16 X 12 Ga          |
| 26      | STD541437  | Nut Lock 3/8-16 Unc                   |
| 27      | 17030814   | Screw, Hex Head, Spiderlock #8 x 7/8  |
| 28      | 140135     | Grille Grey                           |
| 29      | 124029X    | Lens Headlight Bar Clear              |
| 30      | 109872X417 | Fender Pnt                            |
| 31      | 136619     | Bracket Pnt Fender                    |
| 33      | 145244X417 | Footrest Pnt Lh Perf (silver)         |
| 34      | 145243X417 | Footrest Pnt Rh Perf (silver)         |
| 35      | STD533707  | Bolt Rdhd Sht Sqnk 3/8-16 X3/4        |
| 38      | 139886     | Bracket, Asm. Pivot, L.H., Mower Rear |
| 39      | 139887     | Bracket, Asm. Pivot, R.H., Mower Rear |
| 100     | 105037X    | Strip, Foam 18"                       |
| --      | 5479J      | Plug Button Blk 359 Dia               |

**NOTE:** All component dimensions given in U.S. inches  
1 inch = 25.4 mm

# REPAIR PARTS

TRACTOR -- MODEL NUMBER 917.252450

## DRIVE



# REPAIR PARTS

## TRACTOR - - MODEL NUMBER 917.252450

### DRIVE

| KEY NO. | PART NO.  | DESCRIPTION                               | KEY NO. | PART NO.  | DESCRIPTION                    |
|---------|-----------|---|---------|-----------|--------------------------------|
| 1       | 142602    | Transaxle 5sp Std Dana, Model No. 4360-78 | 41      | 109070X   | Keeper Belt Retainer           |
| 2       | 146682    | Spring Return Brake T/a Zinc              | 42      | 19131312  | Washer 13/32 X 13/16 X 12 Ga   |
| 3       | 123666X   | Pulley Transaxle Alum                     | 44      | 105706X   | Bearing Nyl 503 X 628 X 1 25   |
| 4       | 12000028  | Ring Retainer # 5100-62                   | 45      | 110812X   | Washer Hardened                |
| 5       | 121520X   | Strap Pnt Torque 30 Deg Blk               | 46      | 12000039  | Ring Klip #15304-50            |
| 6       | 17490512  | Screw Thdrol 5/16-18 X 3/4 Tyt            | 47      | 127783    | Pulley Idler V Groove Plastic  |
| 7       | 130802    | Plate Pnt Rod Shift T/a (blk )            | 48      | 123789X   | Bellcrank Asm                  |
| 8       | 131679    | Rod Shifter Blk (dana)                    | 49      | 123205X   | Retainer Belt Style Spring     |
| 10      | STD561210 | Pin Cotter 1/8 X 1 Cad                    | 50      | STD523715 | Bolt Hex Hd 3/8-16unc X 1-1/2  |
| 11      | 105701X   | Washer Plate Shf 388 Sq Hole              | 51      | STD541437 | Nut Crownlock 3/8-16 Unc       |
| 12      | 19151216  | Washer 15/32 X 3/4 X 16ga                 | 52      | STD541431 | Nut Lock 5/16-18 Unc           |
| 13      | 74550412  | Bolt 1/4-28unf Gr8 w/Patch                | 53      | 105710X   | Link Clutch 7 66               |
| 14      | STD551125 | Washer Lock Hvy Helical 1/4               | 55      | 105709X   | Spring Return Clutch 6 75      |
| 15      | 74780544  | Bolt Fin Hex 5/16-18unc X 2-3/4           | 56      | STD523712 | Bolt Fin Hex 3/8-16unc X 1-1/4 |
| 18      | STD523710 | Bolt Fin Hex 3/8-16unc X 1                | 57      | 130801    | V-belt Ground Drive 95.25      |
| 19      | STD541437 | Nut Lock 3/8-16 Unc                       | 58      | 127274X   | Keeper Belt Rh Lt Pnt/zinc 16g |
| 21      | 106933X   | Knob Rd 1/2-13 Plstc Thds Blk             | 59      | 140312    | Retainer Belt Chassis Lh Zinc  |
| 22      | 130804    | Rod Brake Lt                              | 61      | 17490612  | Screw Thdrol 3/8-16x3/4 Ty-tt  |
| 24      | STD541237 | Nut Hex Jam 3/8-16 Unc                    | 62      | 8883R     | Cover Pedal Blk Std            |
| 25      | 106888X   | Spring Rod Brake 2 00 Zinc                | 63      | 140186    | Pulley Engine                  |
| 26      | STD551037 | Washer 13/32 X 13/16 X 16 Ga              | 64      | 71170764  | Bolt Finhex 7/16-20 x 4 g5     |
| 27      | STD561210 | Pin Cotter 1/8 X 3/4 Cad                  | 65      | STD551143 | Washer Lock Hvy Hlcl Spr 7/16  |
| 28      | 145204    | Rod Brake Parking Lt/Yt                   | 66      | 129921    | Keeper Belt Engine Lh Lt       |
| 29      | 124236X   | Cap Parking Brake Red                     | 70      | 134683    | Guide Belt Dr Mower Rh         |
| 30      | 130807    | Bracket Transmission                      | 72      | 19132012  | Washer 13/32 X 1-1/4 X 12 Ga   |
| 31      | 127275X   | Keeper Belt Lh Lt 14 Ga                   | 74      | 109502X   | Spacer Split .80x1.94          |
| 32      | STD523107 | Bolt Fin Hex 5/16-18 x 3/4                | 75      | 121749X   | Washer 25/32 X 1 1/4 X 16 Ga   |
| 34      | 122424X   | Shaft Asm Pedal Foot 1 930                | 76      | STD581075 | Ring E #5133-75                |
| 35      | 120183X   | Bearing Nylon Blk 629 Id                  | 77      | 123583X   | Key Square 2 0 X 1845/ 1865    |
| 36      | STD551062 | Washer 21/32 X 1 X 16 Ga                  | 78      | 121748X   | Washer 25/32 X 1 5/8 X 16ga    |
| 37      | STD571810 | Pin Roll 3/16 X 1"                        | 100     | 19111216  | Washer 11/32 x 3/4 x 16 Ga.    |
| 38      | 123674X   | Pulley Idler Flat                         | 112     | 19091210  | Washer 9/32 X 3/4 X 10 Ga      |
| 39      | STD523727 | Bolt Fin Hex 3/8-16unc X 2-3/4            |         |           |                                |
| 40      | 4470J     | Spacer Split 395 X 59 Bzp                 |         |           |                                |

**NOTE:** All component dimensions given in U.S. inches  
1 inch = 25.4 mm



# REPAIR PARTS

## TRACTOR - - MODEL NUMBER 917.252450

### STEERING ASSEMBLY

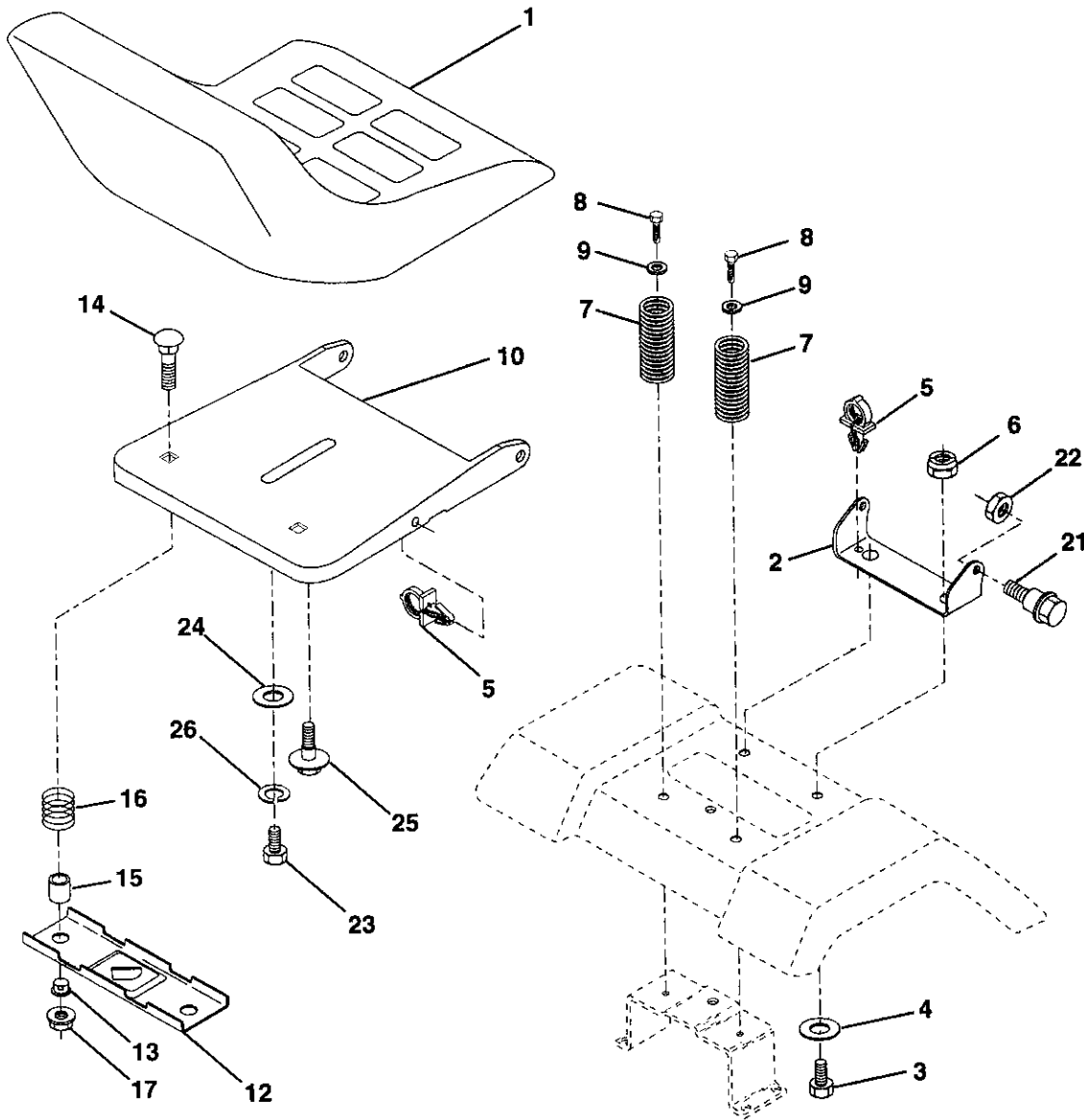
| KEY NO. | PART NO.  | DESCRIPTION                   |
|---------|-----------|-------------------------------|
| 1       | 139768    | Wheel Steering Std Black      |
| 2       | 142033    | Axle Asm Front                |
| 3       | 135227    | Spindle Asm Lh                |
| 4       | 135228    | Spindle Asm Rh                |
| 5       | 6266H     | Bearing Race Thrust Harden    |
| 6       | 121748X   | Washer 25/32 X 1 5/8 X 16ga   |
| 7       | 19272016  | Washer 27/32 X 1 1/4 X 16 Ga  |
| 8       | 12000029  | Ring Klip #t5304-75           |
| 9       | 3366R     | Bearing Col Strg Blk          |
| 10      | 130468    | Link Drag Sol Ball Jt 20 064  |
| 11      | STD551137 | Washer Lock Hvy Hlcl Spr 3/8  |
| 12      | 73610600  | Nut Fin Hex 3/8-24 Unf        |
| 13      | 110438X   | Spacer Bearing Axle Front     |
| 14      | 74011056  | Bolt Hex 5/8-11 Unc X 3-1/2   |
| 15      | 73901000  | Locknut Flange 5/8-11 Unc     |
| 16      | 132624    | Pin Axle 5/8 X 1 55/1 54 Lg   |
| 17      | 132614    | Shaft Asm Strg 5/8 X 15 19 Lt |
| 18      | 57079     | Washer Thrust 515x 750x 033   |
| 19      | 124035X   | Support Shaft                 |
| 20      | 126684X   | Washer Shim 1/4 X 5/8 X .062  |
| 21      | STD551125 | Washer Lock Hvy Helical 1/4   |
| 22      | 71070410  | Screw Hex Socket 1/4-20 X 5/8 |
| 23      | 127501    | Shaft Asm Pittman             |
| 24      | 109816X   | Nyliner Snap In               |
| 25      | 124036X   | Bracket Steering              |
| 26      | 126847X   | Bushing Rod Tie Blk Lt        |
| 27      | 136874    | Gear Sector                   |
| 28      | 19131416  | Washer 13/32 X 7/8 X 16ga     |
| 29      | 17490612  | Screw Thdrol 3/8-16x3/4 Ty-tt |
| 30      | STD561210 | Pin Cotter 1/8 X 3/4 Cad      |
| 32      | 130465    | Rod Tie Wire Form 19 75 Mech  |
| 36      | 132196    | Bushing Strg 5/8 Id Dash      |
| 37      | STD611005 | Screw Slftp #10-16 X 1/2 Ty-b |
| 38      | 139769    | Insert Cap Strg Wheel Std Blk |
| 39      | 19133808  | Washer 13/32 X 2-3/8 X 8 Ga   |
| 40      | STD541537 | Nut Lock Center 3/8-24unf     |
| 41      | 104820X   | Adaptor Wheel Strg 640/ 635id |
| 42      | 124417X   | Boot Shaft Steering           |
| 43      | 121749X   | Washer 25/32 X 1 1/4 X 16 Ga  |
| 46      | 121232X   | Cap Spindle Fr Top Blk        |
| 47      | 6855M     | Fitting Grease                |

**NOTE:** All component dimensions given in U.S. inches  
1 inch = 25.4 mm

# REPAIR PARTS

## TRACTOR - - MODEL NUMBER 917.252450

### SEAT ASSEMBLY



| KEY NO. | PART NO.  | DESCRIPTION                    |
|---------|-----------|--------------------------------|
| 1       | 127437    | Seat V350 Blk/blk Craftsman    |
| 2       | 140551    | Bracket Pnt Pivot Seat (blk )  |
| 3       | STD523710 | Bolt Fin Hex 3/8-16unc X 1     |
| 4       | 19131610  | Washer 13/32 X 3/4 X 10 Ga     |
| 5       | 145006    | Clip Push In Hinged            |
| 6       | STD541437 | Nut Crownlock 3/8-16 Unc       |
| 7       | 124181X   | Spring Seat Cprsn 2 250 Blk Zi |
| 8       | 17490616  | Screw Thdrol 3/8-16 X 1 Ty-tt  |
| 9       | 19131614  | Washer 13/32 X 1 X 14 Ga       |
| 10      | 140552    | Pan Pnt Seat (blk )            |
| 12      | 121246X   | Bracket Pnt Mounting Switch    |
| 13      | 121248X   | Bushing Snap Blk Nyl 50 Id     |

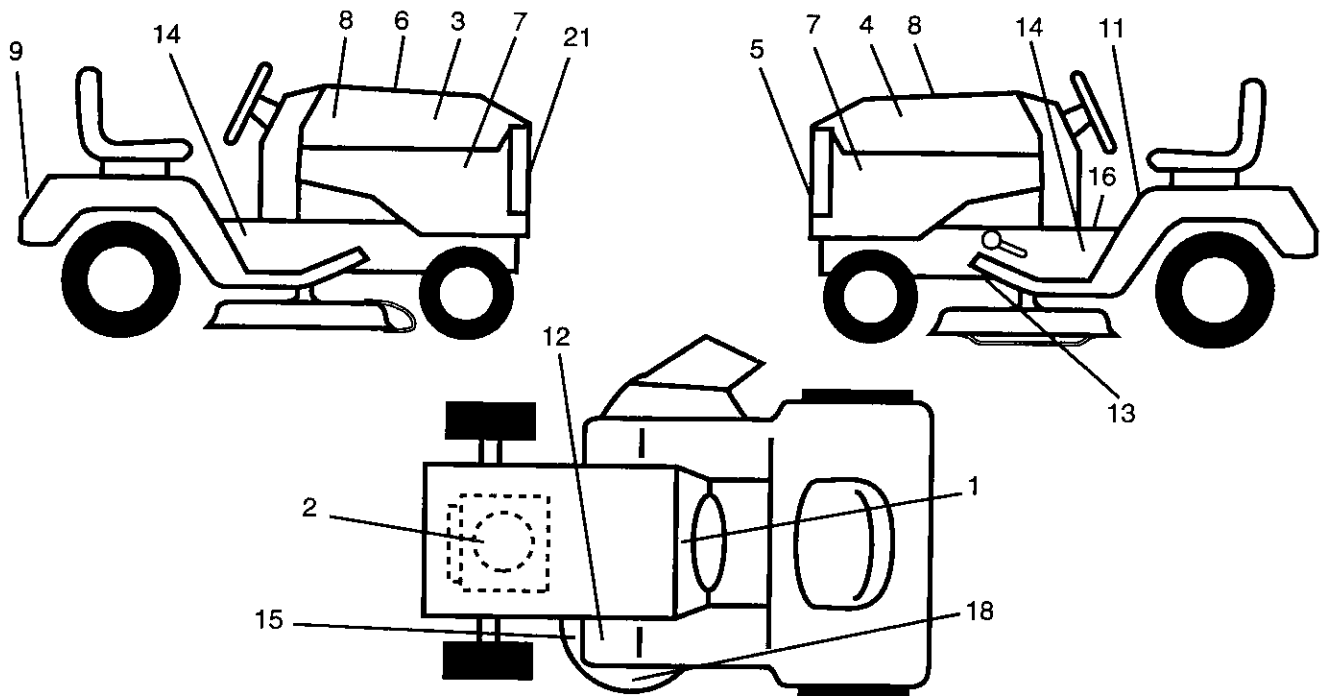
| KEY NO. | PART NO.  | DESCRIPTION                    |
|---------|-----------|--------------------------------|
| 14      | 72050411  | Bolt Rdhd Sht Nk 1/4-20x1-3/8  |
| 15      | 134300    | Spacer Split 28 X 96 Zinc      |
| 16      | 121250X   | Spring Cprsn 1 27 Blk Pnt      |
| 17      | 123976X   | Nut Lock 1/4 Lge Flg Gr 5 Zinc |
| 21      | 139888    | Bolt Shoulder 5/16-18 Unc Blkz |
| 22      | STD541431 | Nut Crown Lock 5/16-18         |
| 23      | 74780814  | Bolt Fin Hex 1/2-13 X 7/8 Gr 5 |
| 24      | 19171912  | Washer 17/32 X 1-3/16 X 12 Ga  |
| 25      | 127018X   | Bolt Shoulder 5/16-18 X 62     |
| 26      | STD551150 | Washer Lock Hvy Hicl Spr 1/2   |

**NOTE:** All component dimensions given in U.S. inches.  
1 inch = 25.4 mm

# REPAIR PARTS

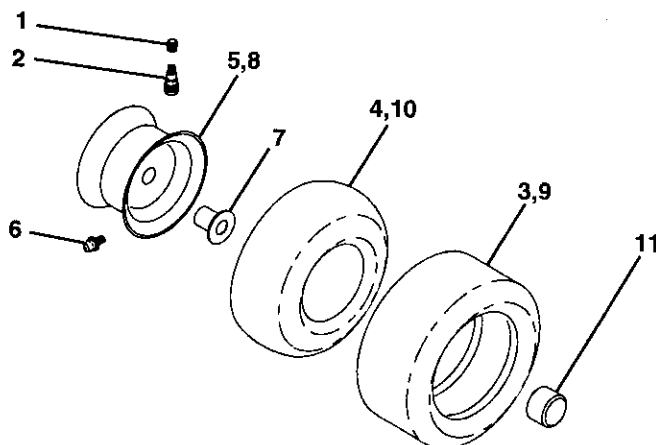
## TRACTOR - - MODEL NUMBER 917.252450

### DECALS



| KEY NO. | PART NO. | DESCRIPTION                        | KEY NO. | PART NO. | DESCRIPTION                    |
|---------|----------|------------------------------------|---------|----------|--------------------------------|
| 1       | 138955   | Decal Instruction Operat Eng       | 13      | 146046   | Decal V-belt Dr Sch Tractor    |
| 2       | 272936   | Decal Engine 12.5 Hp B&S IC Crafts | 14      | 105809X  | Decal Chassis 5 Sp 38"         |
| 3       | 140560   | Decal Hood Slope Rh Craftsman      | 15      | 136832   | Decal Mower Drive Schematic 38 |
| 4       | 140561   | Decal Hood Slope Lh Craftsman      | 16      | 140837   | Decal, Brake Parking Saddle    |
| 5       | 132674   | Decal Grille Lt4000 Craft Usa      | 18      | 133179   | Decal Mower Qc System          |
| 6       | 133644   | Decal Maint Customer Sears Dom     | 21      | 131265   | Decal Lightbox                 |
| 7       | 142249   | Decal Panel Side l/c Gold/blk      | --      | 138311   | Decal Lift Handle              |
| 8       | 142252   | Decal Insert Hood Blk              | --      | 145245   | Pad Footrest Rbr Sq Craftsman  |
| 9       | 125880X  | Decal Fender Craftsman Red         | --      | 145247   | Fastner Pop In Footrest        |
| 11      | 137537   | Decal Caution English/Spanis       | --      | 147107   | Manual, Owner's (English)      |
| 12      | 4900J    | Decal Clutch/brake English         | --      | 147108   | Manual, Owner's (Spanish)      |

### WHEELS & TIRES



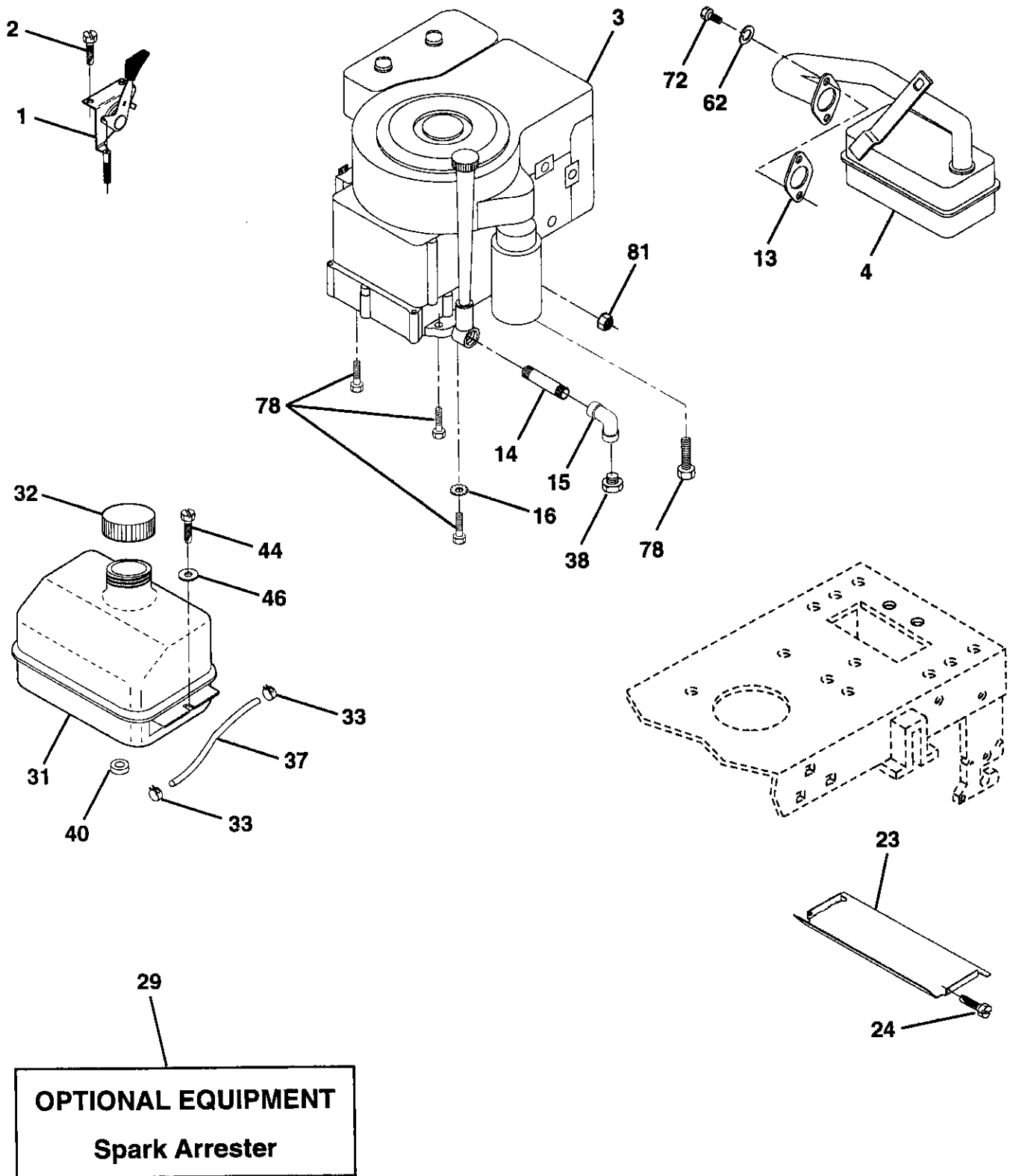
| KEY NO. | PART NO.   | DESCRIPTION                    |
|---------|------------|--------------------------------|
| 1       | 59192      | Cap Value Tire                 |
| 2       | 65139      | Stem Value                     |
| 3       | 106222X    | Tire F Ts 15 X 6 0 - 6 Service |
| 4       | 59904      | Tube Inner Front #35060        |
| 5       | 106732X417 | Rim Asm 6"front Silver Service |
| 6       | 278H       | Fitting Grease                 |
| 7       | 9040H      | Bearing Flange                 |
| 8       | 106108X417 | Rim Asm 8"rear Silver Service  |
| 9       | 124635X    | Tire R Ts 18x8 5-8 Service     |
| 10      | 7152J      | Tube Rear 9 5 X 8 Service      |
| 11      | 104757X    | Cap Axle Blk 1 50 X 1 00       |
| --      | 144334     | Sealant, Tire (10 oz. Tube)    |

**NOTE:** All component dimensions given in U.S. inches.  
1 inch = 25.4 mm

# REPAIR PARTS

TRACTOR - - MODEL NUMBER 917.252450

## ENGINE



# REPAIR PARTS

## TRACTOR - - MODEL NUMBER 917.252450

### ENGINE

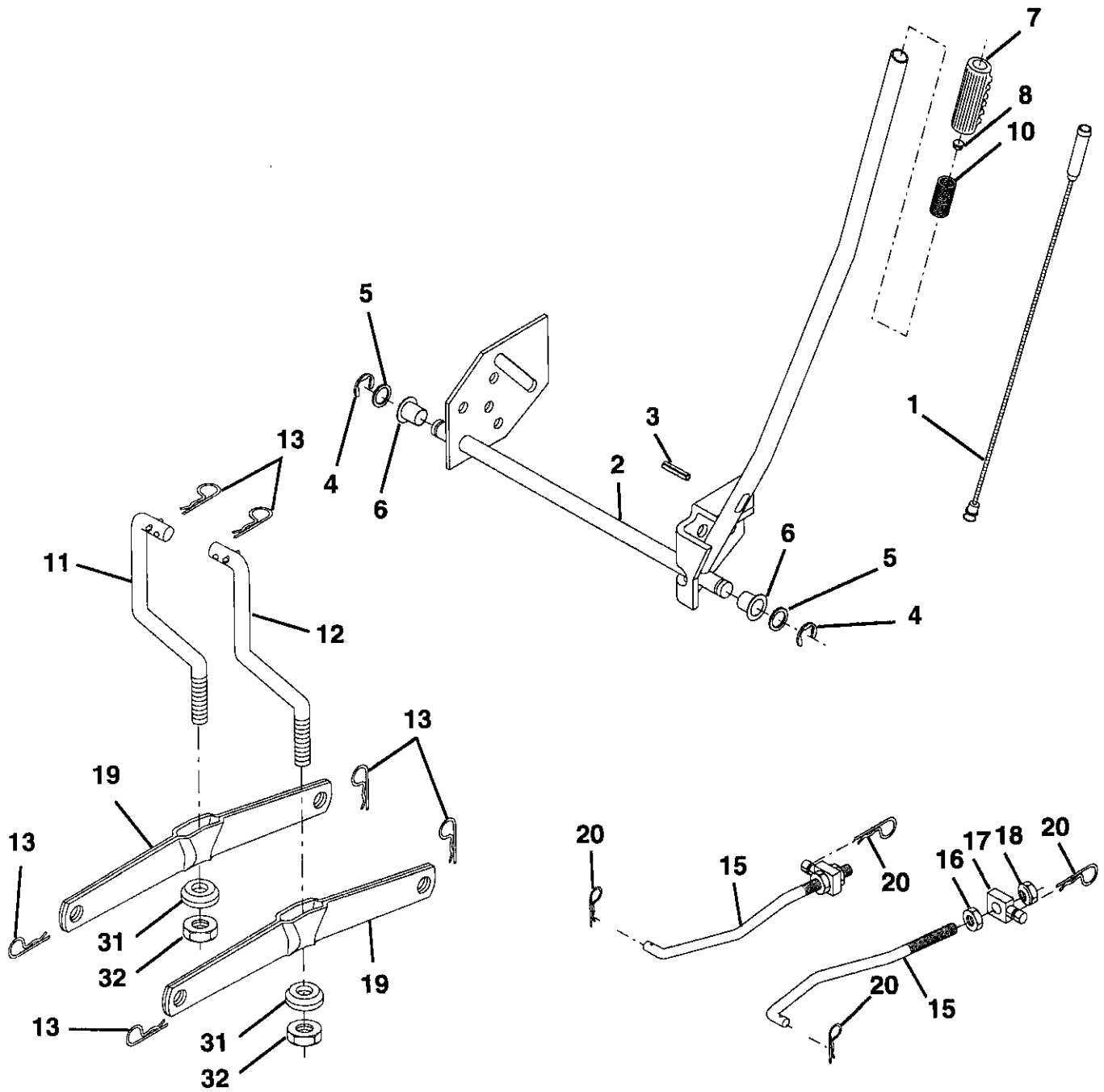
| KEY NO. | PART NO.  | DESCRIPTION   |
|---------|-----------|---|
| 1       | 132759    | Control Throt Rh Blk Pdl 15 10                          |
| 2       | 17720410  | Screw Hex Thd Cut 1/4-20x5/8 T                          |
| 3       | 145300    | Engine B&s IC, Dual, Model No. 289707, Type No. 0168-01 |
| 4       | 137348    | Muffler Exhaust B&s Lt                                  |
| 13      | 125593X   | Gasket 1 313 Id Tin Plated                              |
| 14      | 13280324  | Nipple Pipe 3/8 Npt X 3"                                |
| 15      | 13200300  | Elbow Std 90 Degree 3/8-18 Npt                          |
| 16      | STD551237 | Washer Lock Ext Tooth 3/8                               |
| 23      | 128953    | Shield Pnt Heat Browning Grass                          |
| 24      | STD601005 | Screw Tap Hex #10-24unc X 1/2                           |
| 29      | 137180    | Arrestor Spark  |
| 31      | 109202X   | Tank Fuel 1 25 Fr                                       |
| 32      | 123549X   | Cap Asm Fuel W/sym Vented                               |
| 33      | 123487X   | Clamp Hose Blk  |
| 37      | 137040    | Line Fuel 20"   |
| 38      | - - -     | Plug Oil Drain (Order From Engine Manufacturer)         |
| 40      | 124028X   | Bushing Snap Nyl Blk Fuel Line                          |
| 44      | 17490412  | Screw Hexwsh Thdrol 1/4-20x3/4                          |
| 46      | 19091416  | Washer 9/32 X 7/8 X 16ga                                |
| 62      | STD551131 | Washer Lock Hvy Hlcl Spr 5/16                           |
| 72      | 71070512  | Screw Hexhd Cap 5/16-18x3/4                             |
| 78      | 17490620  | Screw Thdrol 3/8-16x1-1/4 Tytt                          |
| 81      | 73510400  | Nut Keps Hex 1/4-20 Unc                                 |

**NOTE:** All component dimensions given in U.S. inches  
1 inch = 25.4 mm

# REPAIR PARTS

TRACTOR - - MODEL NUMBER 917.252450

LIFT



# REPAIR PARTS

## TRACTOR - - MODEL NUMBER 917.252450

### LIFT

| KEY NO. | PART NO. | DESCRIPTION                   |
|---------|----------|-------------------------------|
| 1       | 136973   | Rod Asm. Lever                |
| 2       | 122507X  | Shaft Asm. Lift               |
| 3       | 105767X  | Pin Groove                    |
| 4       | 12000002 | E Ring #5133-62               |
| 5       | 19211621 | Washer 21/32 x 1 x 21 Ga.     |
| 6       | 120183X  | Bearing Nylon                 |
| 7       | 125631X  | Grip Handle Fluted            |
| 8       | 122365X  | Button Plunger Read           |
| 10      | 122512X  | Spring Cprsn                  |
| 11      | 139865   | Link Lift Lh Fixed Length     |
| 12      | 139866   | Link Lift Rh Fixed Length     |
| 13      | 4939M    | Retainer Spring               |
| 15      | 127218   | Link Front                    |
| 16      | 73350800 | Nut Jam Hex 1/2-13 Unc        |
| 17      | 130171   | Trunnion Blk Zinc             |
| 18      | 73800800 | Nut Lock W/Wsh 1/2-13 Unc     |
| 19      | 139868   | Arm Suspension Mower          |
| 20      | 3146R    | Retainer Spring               |
| 31      | 140302   | Bearing, Pvt. Lift. Spherical |
| 32      | 73540600 | Nut Crownlock 3/8-24          |

**NOTE:** All component dimensions given in U.S. inches  
1 inch = 25.4 mm

