



REPAIR PARTS MANUAL
MODEL NO. 251360
Lawn Tractor

CRAFTSMAN®

HOW TO USE THIS MANUAL

This manual is designed to provide the customer with a means to identify the parts on his/her tractor when ordering repair parts. The illustrations may or may not represent the actual assemblies; therefore, it is not recommended to use this manual as a guide to assemble or disassemble the tractor. Some hardware and parts are drawn larger in order to more readily identify them.

Each tractor has its own model number.

The model number for your tractor can be found on the fender under the seat.

When ordering parts, always give the following information:

- Product - "Tractor"
- Model Number - "251360"
- Part Number
- Part Description

TABLE OF CONTENTS

CHASSIS	6-7
DECALS	13
DRIVE	8-9
ELECTRICAL.....	4-5
ENGINE	14-15
MOWER LIFT LEVER.....	16-17
MOWER DECK	18-19
SEAT	12
STEERING WHEEL	10-11
TRANSAXLE	20-21

LIMITED ONE YEAR WARRANTY ON CRAFTSMAN RIDING EQUIPMENT

For one (1) year from the date of purchase, if this Craftsman Riding Equipment is maintained, lubricated and tuned up according to the instructions in the owner's manual, Sears will repair or replace, free of charge, any parts found to be defective in material or workmanship.

This Warranty does not cover:

- Expendable items which become worn during normal use, such as blades, spark plugs, air cleaners, belts, etc.
- Tire replacement or repair caused by punctures from outside objects, such as nails, thorns, stumps, or glass.
- Repairs necessary because of operator abuse, negligence, improper storage or accident or the failure to maintain the equipment according to the instructions contained in the owner's manual.
- Riding equipment used for commercial or rental purposes.

LIMITED 90 DAY WARRANTY ON BATTERY

For ninety (90) days from date of purchase, if any battery included with this riding equipment proves defective in material or workmanship and our testing determines the battery will not hold a charge, Sears will replace the battery at no charge.

IN-HOME WARRANTY SERVICE ON YOUR CRAFTSMAN RIDING EQUIPMENT IS AVAILABLE AT NO-CHARGE FOR 30 DAYS FROM THE DATE OF PURCHASE. PLEASE CONTACT YOUR NEAREST SERVICE CENTER. AFTER 30 DAYS FROM THE DATE OF PURCHASE, WARRANTY SERVICE IS AVAILABLE BY TAKING YOUR CRAFTSMAN RIDING EQUIPMENT TO YOUR NEAREST SEARS SERVICE CENTER. (IN-HOME WARRANTY SERVICE WILL STILL BE AVAILABLE AFTER 30 DAYS FROM THE DATE OF PURCHASE BUT A STANDARD TRIP CHARGE WILL APPLY.) THIS WARRANTY APPLIES ONLY WHILE THIS PRODUCT IS IN THE UNITED STATES.

This Warranty gives you specific legal rights, and you may also have other rights which may vary from state to state.

SEARS, ROEBUCK AND CO., D/817 WA, HOFFMAN ESTATES, IL 60179

REPAIR PARTS

TRACTOR - - MODEL NUMBER 917.251360

ELECTRICAL

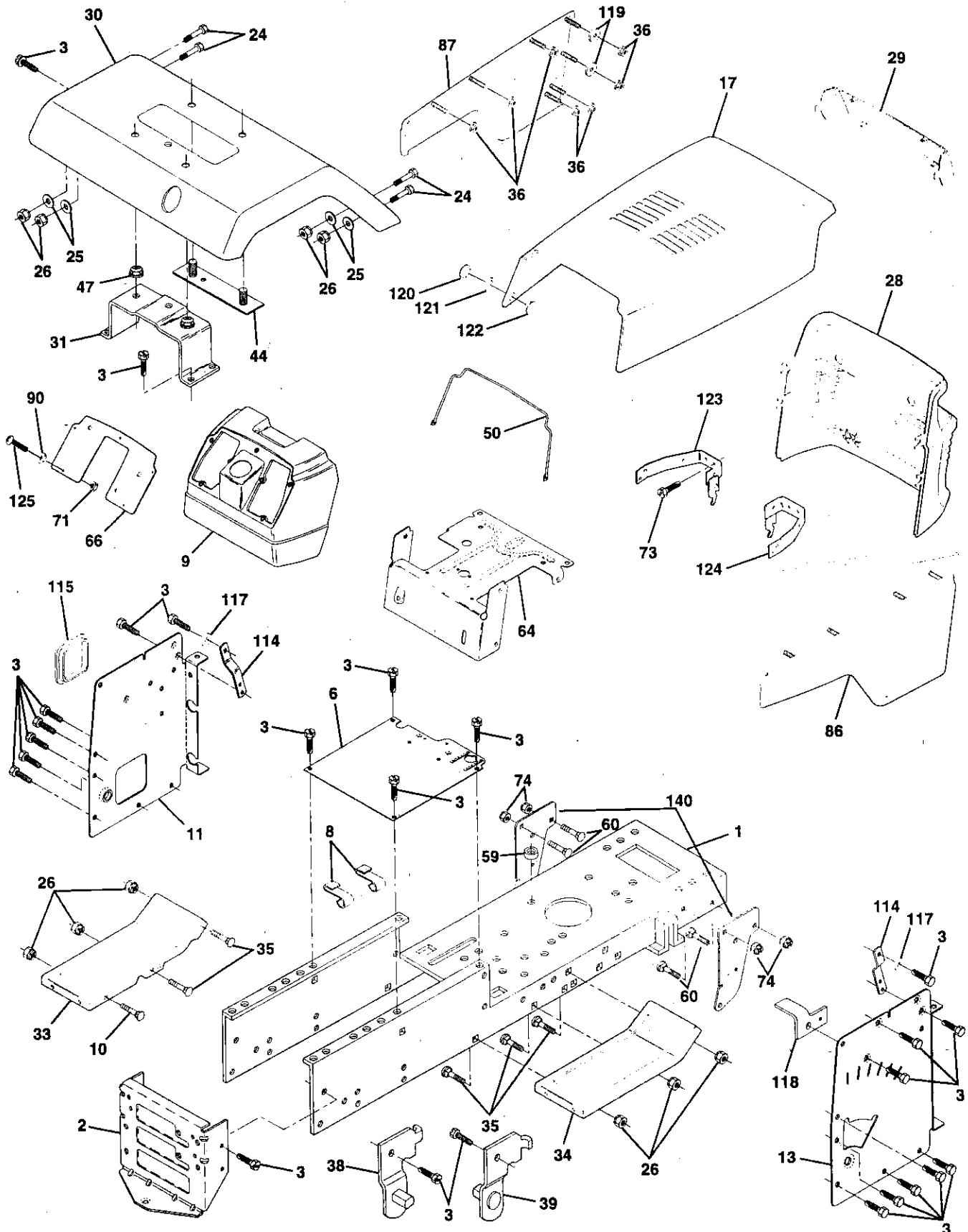
KEY NO.	PART NO.	DESCRIPTION
1	146140	Battery 12 Volt 30 amp
2	74760412	Bolt Hex Hd 1/4-20unc X 3/4
3	STD551025	Washer 9/32 X 5/8 X 16 Ga
4	STD551125	Washer Lock Hvy Helical 1/4
6	STD541025	Nut Fin Hex 1/4-20 Unc
7	7697J	Tube Plastic 46"
8	7603J	Tray Battery 7 80 X 5 25 Blk
9	109596X	Clamp Hose Olive
10	145211	Bolt RdHd Sqnk 1/4-20 x 7-1/2
11	145209	Guard Terminal Blk
12	145769	Nut Push Nylon 1/4 Battery
16	153664	Switch Interlock Push-In
19	STD551125	Washer Lock 1/4
20	73350400	Nut Jam Hex 1/4-20 Unc
21	136850	Harness Asm Light W/4152j
22	4152J	Bulb Light #1156
24	4799J	Cable Ground 6 Ga black
25	146148	Cable Battery 6 Ga 22" red
26	108824X	Fuse 30 AMP Auto Green
28	145491	Cable Battery 6 Ga 21" black
29	121305X	Switch Plunger
30	144921	Switch Ign 3 pos
31	140400	Nut Ignition
32	141226	Cover Sw Key Blk 1 25 Text SLT
33	140403	Key Ign Molded Craftsman Delta
34	110712X	Switch Light Blk Blk Red
36	STD601005	Screw Tap Hex #10-24unc X 1/2
38	140336	Bracket Switch Interlock
39	109553X	Switch Intlk Clutch Red 4 Term
40	145489	Harness Ign B&S Dash HI Amm
41	71110408	Bolt Fin Hex 1/4-20uncx1/2 Gr5
42	131563	Cover Terminal Red
43	145673	Solenoid
44	73640400	Nut Keps Hex 1/4-20 Unc
45	121433X	Ammeter Rectangular
49	153249	Washer Pinned Delta
55	17490508	Screw Thdrol 5/16-18 x 1/2 Tyt
70	140413	Harness Engine B&S

NOTE: All component dimensions given in U.S. inches
1 inch = 25.4 mm

REPAIR PARTS

TRACTOR -- MODEL NUMBER 917.251360

CHASSIS



REPAIR PARTS

TRACTOR -- MODEL NUMBER 917.251360

CHASSIS

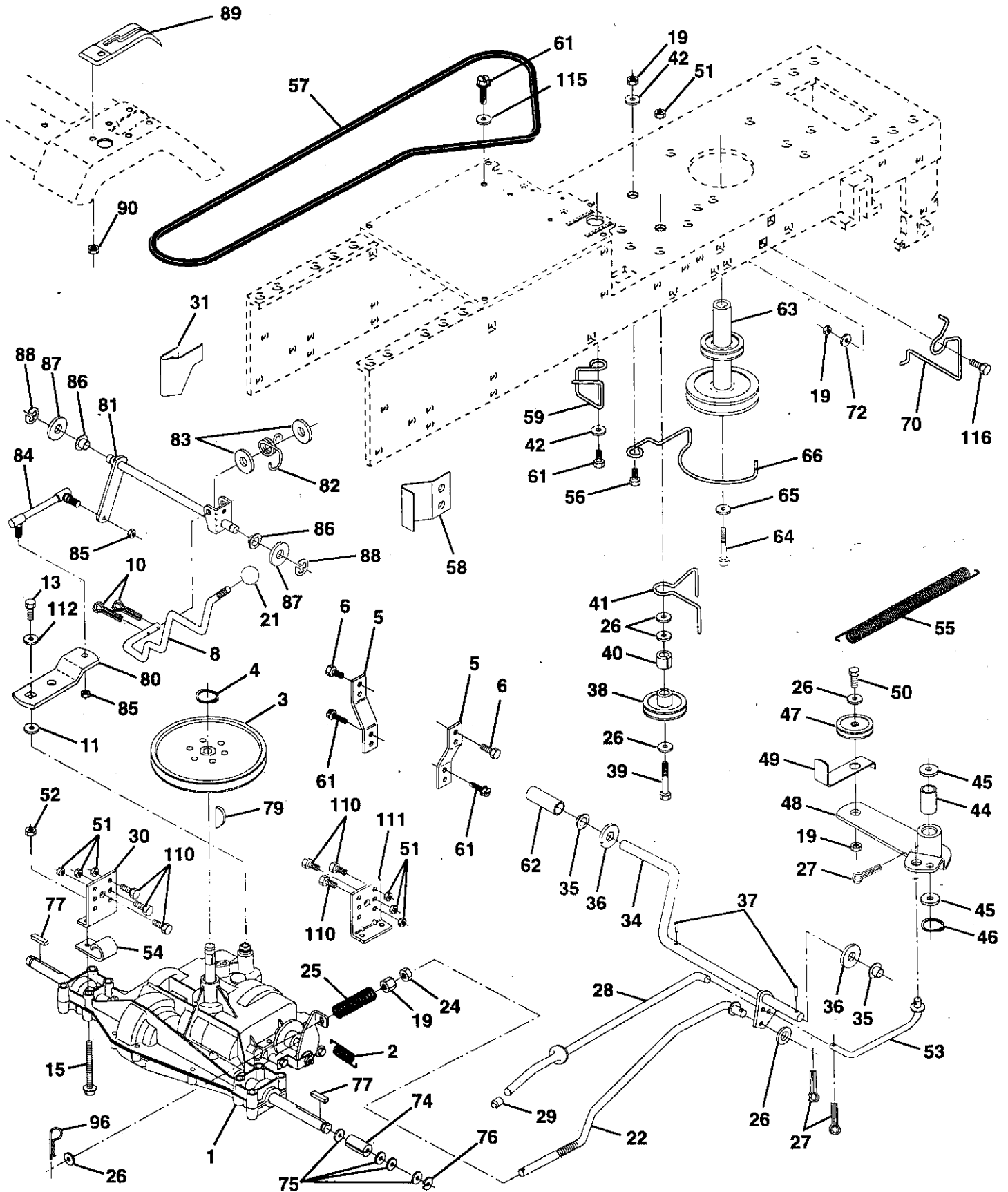
KEY NO.	PART NO.	DESCRIPTION
1	151169	Chassis Weldment
2	140356	Draw Bar
3	17490612	Screw Thdrol. 3/8-16 x 3/4 Ty-tt
6	145206	Saddle
8	126471X	Clip Insulated
9	145203	Dashboard
10	STD533710	Bolt Carriage 3/8-16 x 1
11	145222	Panel Dashboard LH
13	145221	Panel Dashboard RH
17	136673X574	Hood Asm Pnt Srs YGTG Ms 574
24	STD523710	Bolt Hex 3/8-16 x 1 Gr. 5
25	19131312	Washer 13/32 x 13/16 x 12 Ga
26	STD541437	Nut Lock Hex W/Washer 3/8-16 UNC
28	136373X428	Grille YGTG 1-Pc
29	136374	Lens Grille Bar
30	140002X574	Fender
31	137113	Bracket Fender
33	145244X574	Footrest LH
34	145243X574	Footrest RH
35	STD533707	Bolt Carriage 3/8-16 x 3/4
36	108067X	Nut Pal
38	139886	Bracket Assy Pivot LH
39	139887	Bracket Assy Pivot RH
44	140675	Strip Asm Fender
47	105531X	Nut Push
50	137304	Rod Support Hood 1-Pc Zinc
59	110436X	Bushing Snap Split
60	STD533707	Bolt Rdhd Sqnk 3/8-16unc x 3/4
64	150272	Dash Lower
66	140942X013	Plate
71	73640400	Nut Keps Blk Hex 1/4-20 UNC
73	17580408	Screw Tap Tite 1/4-20 X 1/2
74	STD541437	Nut Crownlock 3/8-16 UNC
86	136670X574	Assy Panel Side RH
87	136671X574	Assy Panel Side LH
90	STD551025	Washer 9/32 x 3/4 x 16 Ga.
115	121794X	Cover Access
114	145349	Bracket Support Dashboard
117	144283	Washer Serrated
118	145595	Bracket Clutch Mower
119	19092016	Washer 9/32 X 1-1/4 X 16 Ga.
120	137271	Rivet Ratchet Female
121	137269	Washer Nylon
122	137270	Rivet Ratchet Male
123	136814	Bracket LH
124	136813	Bracket RH
125	74180412	Screw Machine Thrd 1/4-20 UNC x 3/4
140	150556	Bracket Chassis Front 7 Ga.

NOTE: All component dimensions given in U.S. inches
1 inch = 25.4 mm

REPAIR PARTS

TRACTOR -- MODEL NUMBER 917.251360

DRIVE



REPAIR PARTS

TRACTOR - - MODEL NUMBER 917.251360

DRIVE

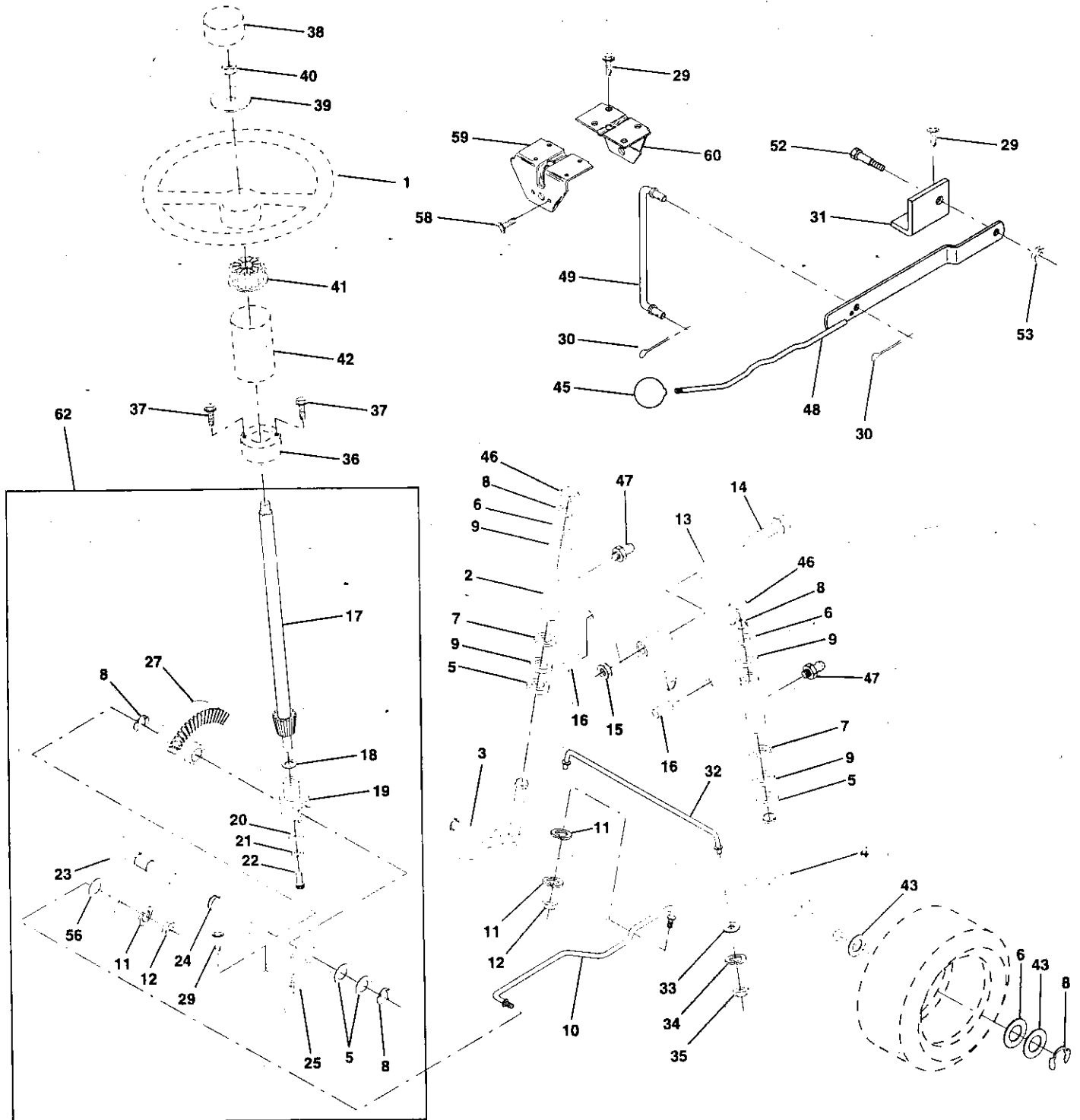
KEY NO.	PART NO.	DESCRIPTION	KEY NO.	PART NO.	DESCRIPTION
1	138788	Transaxle, Peerless, 6 Speed, Model Number 820-016B	53	105710X	Link, Clutch
2	110422X	Spring, Brake Return	54	126471X	Clip, Fuel Line
3	121327X	Pulley, Transaxle	55	105709X	Spring, Return, Clutch
4	STD582075	Ring, Retainer	56	STD523712	Bolt, Fin Hex 3/8-16 UNC x 1-1/4
5	123787X	Strap, Torque	57	123796X	V-Belt, Drive
6	17490512	Screw, Hex Washer Head, Thd., Roll. 5/16-18 x 3/4	58	123792X	Keeper, Belt, Transaxle, R.H.
8	123781X	Rod, Shifter	59	140312	Keeper, Chassis, Center Span
10	STD561210	Pin, Cotter 1/8 x 1	61	17490612	Screw, Hex Washer Head, Thd., Roll. 3/8-16 x 3/4
11	105701X	Washer, Shift Plate	62	8883R	Cover, Foot Pedal
13	74550412	Bolt 1/4-28 UNF Gr. 8 W/Patch	63	140186	Pulley, Engine
15	74490544	Bolt, Hex Flghd 5/16-18 Gr. 5	64	71170764	Bolt, Hex Head 7/16-20 x 4 Gr. 5
19	STD541437	Locknut 3/8-16	65	STD551143	Washer, Lock
21	106933X	Knob	66	153400	Keeper, Belt, Engine, L.H.
22	145340	Rod, Brake	70	134683	Guide, Belt, Mower Drive
24	STD541237	Nut, Hex, Jam 3/8-16 UNC	72	19132012	Washer 13/32 x 1-1/4 x 12 Ga.
25	126909X	Spring, Brake Rod	74	108097X	Spacer, Split
26	STD551037	Washer 13/32 x 13/16 x 16 Ga.	75	123800X	Washer 1-1/32 x 1-5/8 x 16
27	STD561210	Pin, Cotter 1/8 x 3/4	76	12000053	E-Ring
28	145204	Rod, Parking Brake	77	9396E	Key, Square 1/4 x 2
29	124236X	Cap Brake Parking	79	STD580025	Key, Woodruff #9
30	123780X	Bracket, Transaxle, L.H.	80	123794X	Shift Arm
31	123791X	Keeper, Belt, Transaxle, L.H.	81	123772X	Shaft Assembly, Shifter
34	151128	Shaft, Foot Pedal5	82	123782X	Spring, Torsion
35	120183X	Bearing, Nylon	83	19171216	Washer 17/32 x 3/4 x 16-Ga.
36	STD551062	Washer 21/32 x 1 x 16 Gauge	84	123793X	Rod Link Shift Adm. Non/Stretch
37	STD571810	Pin, Roll 3/16 x	85	150360	Nut, Lock Center 1/4-28 Fnthd
38	123674X	Idler, Flat	86	71208	Bushing, Steering Rod
39	STD523727	Bolt, Hex Head 3/8-16 x 2-3/4	87	19212016	Washer 21/32 x 1-1/4 x 16 Ga.
40	4470J	Spacer	88	12000008	Ring, Klip
41	153399	Keeper, Belt	89	139992	Console 6sp GTV
42	19131312	Washer 13/32 x 13/16 x 12 Ga.	90	124346X	Nut Self-Thd Wash-Hd 1/4 Zinc
44	105706X	Bearing	96	STD624003	Retainer Spring
45	110812X	Washer, Hardened	110	STD523707	Bolt, Hex Head 3/8-16 x 3/4
46	12000039	Ring, Clip	111	123776X	Bracket, Transaxle, RH.
47	127783	Pulley, Idler, V-Groove	112	STD551025	Washer 9/32 x 3/4 x 16 Ga.
48	123789X	Bellcrank Asm. Clutch	115	19132203	Washer 13/32 x 1-3/8 x 3 Ga.
49	123205X	Retainer, Belt	116	72110610	Bolt Rdhd Sq. Neck 3/8-16 x 1-1/4
50	STD523715	Bolt, Hex Head 3/8-16 X 1-1/2			
51	STD541437	Nut, Crownlock 3/8-16			
52	STD541431	Nut, Crownlock 5/16-18			

NOTE: All component dimensions given in U.S. inches
1 inch = 25.4 mm

REPAIR PARTS

TRACTOR -- MODEL NUMBER 917.251360

STEERING ASSEMBLY



REPAIR PARTS

TRACTOR - - MODEL NUMBER 917.251360

STEERING ASSEMBLY

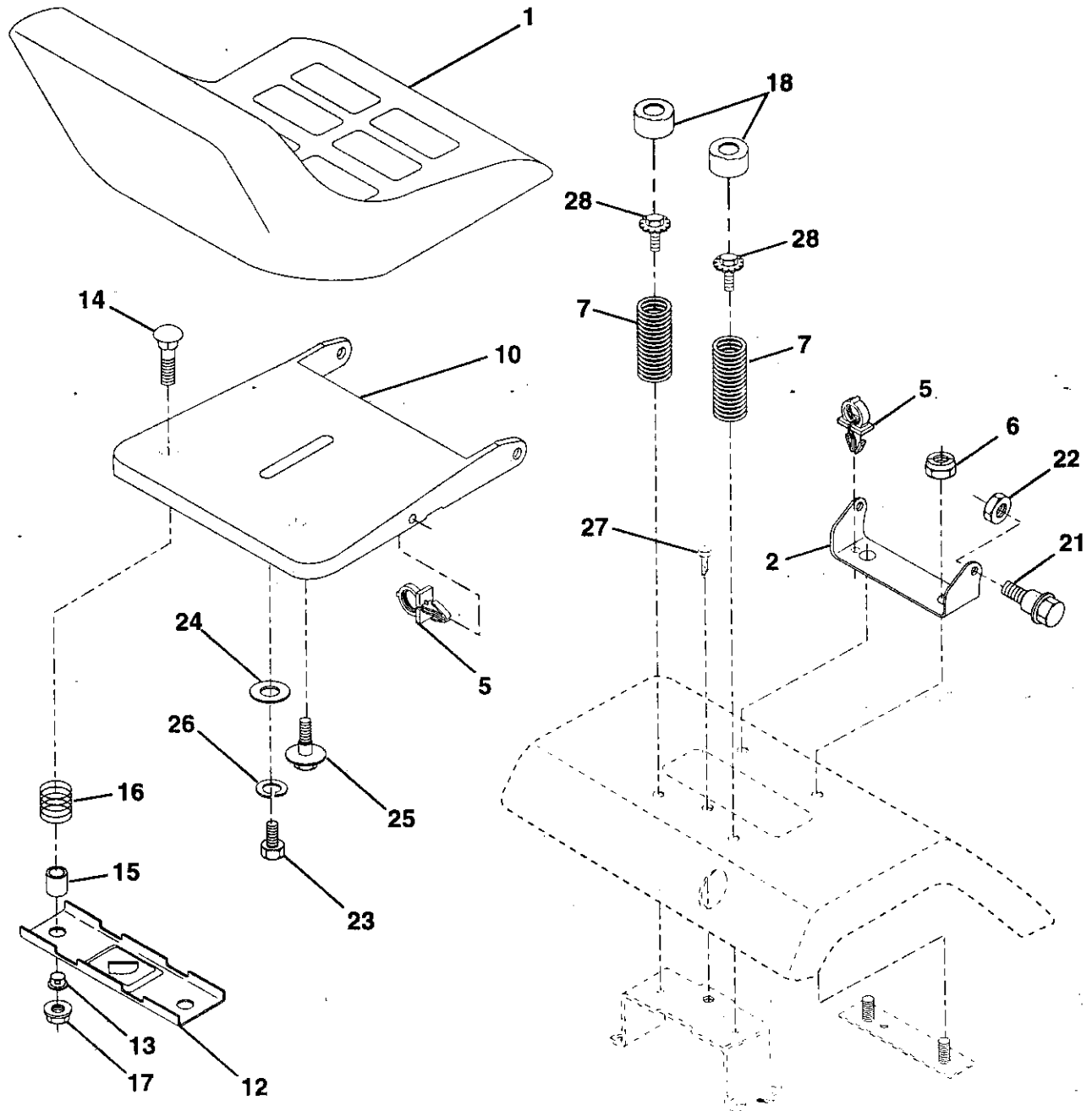
KEY NO.	PART NO.	DESCRIPTION	KEY NO.	PART NO.	DESCRIPTION
1	139768	Wheel Steering Ayp/kelch Blk	31	138171	Bracket Pvt Ma Cl Lvr
2	142033	Axle Asm Fr LT	32	139929	Tie Rod
3	135227	Spindle Asm LH	33	19111216	Washer 11/32 x 3/4 x 16 Ga.
4	135228	Spindle Asm RH	34	STD551131	Washer Lock Hvy Hlcl Spr 5/16
5	6266H	Bearing Race Thrust Harden	35	STD541531	Locknut 5/16-24 UNF
6	121748X	Washer 25/32 X 1-5/8 X 16ga	36	145207	Bushing Strg Blk 3/4 angle
7	19272016	Washer 27/32 X 1-1/4 X 16 Ga	37	152927	Screw #10-32 x 1/2 x 3/8 Flange
8	12000029	Ring Klip #t5304-75	38	139769	Cap Wheel Steer
9	3366R	Bearing Col Strg Blk	39	100712K	Washer 53 X 2 25 X 160 Zinc
10	130468	Link Drag Sol Ball Jt 20 064	40	STD541350	Nut Hex Jam Toplock 1/2-20 Unf
11	STD551137	Washer Lock Hvy Hlcl Spr 3/8	41	100711L	Adapter Wheel Strg 758/ 753id
12	73610600	Nut Fin Hex 3/8-24 Unf	42	140216	Column Steering
13	110438X	Spacer Bearing Axle Front	43	121749X	Washer 25/32 X 1 1/4 X 16 Ga
14	74761060	BOLT Hex 5/8-11 Unc X 3-3/4	45	106933X	Knob Custom Rd
15	73901000	Nut Lock Flange 5/8-11 Unc	46	121232X	Cap Spindle Fr Top Blk
16	132624	Pin Axle 5/8 X 1 55/1 54 Lg	47	6855M	Fitting Grease
17	128758	Shaft Asm Strg	48	146841	Lever Asm. Clutch Mower
18	57079	Washer Thrust 515x 750x 033	49	131291	Link Clutch W/Nibs
19	124035X	Support Shaft	52	106451X	Bolt Shoulder
20	126684X	Washer Shim 1/4 X 5/8 X 062	53	STD541437	Nut, Crownlock 3/8-16 UNC
21	STD551125	Washer Lock Hvy Helical 1/4	56	19131210	Washer 13/32 x 3/4 x 10 Ga.
22	71100410	Screw Cap Sckt Hd Phos & Oil	58	17490508	Screw Thdrol 5/16-18 x 1/2 TT
23	127501	Shaft Asm Pittman	59	105663X	Support Saddle Rear 10 Ga.
24	109816X	Nyliner Snap In	60	105664X	Support Saddle Front
25	124036X	Bracket Steering	62	149682	Kit Steer Asm. 18.31 x 3/4
27	136874	Gear Sector 22 Teeth			
29	17490612	Screw Thdrol 3/8-16x3/4 Ty-tt			
30	STD561210	Pin Cotter 1/8 x 3/4			

NOTE: All component dimensions given in U.S. inches
1 inch = 25.4 mm

REPAIR PARTS

TRACTOR - - MODEL NUMBER 917.251360

SEAT ASSEMBLY



KEY NO.	PART NO.	DESCRIPTION
1	140122	Seat
2	140551	Bracket Pnt Pivot Seat (blk)
5	145006	Clip Push-In
6	STD541437	Nut Lock Hex W/Ins 3/8 -16 UNC
7	124181X	Spring Seat Cprsn 2 250 Blk Zi
10	140552	Pan Pnt Seat (blk)
12	121246X	Bracket Pnt Mounting Switch
13	121248X	Bushing Snap Blk Nyl 50 Id
14	72050411	Bolt Rdhd Sht Nk 1/4-20x1-3/8
15	134300	Spacer Split 28 X 96
16	121250X	Spring Cprsn
17	123976X	Nut Lock 1/4 Lge Flg Gr 5 Zinc

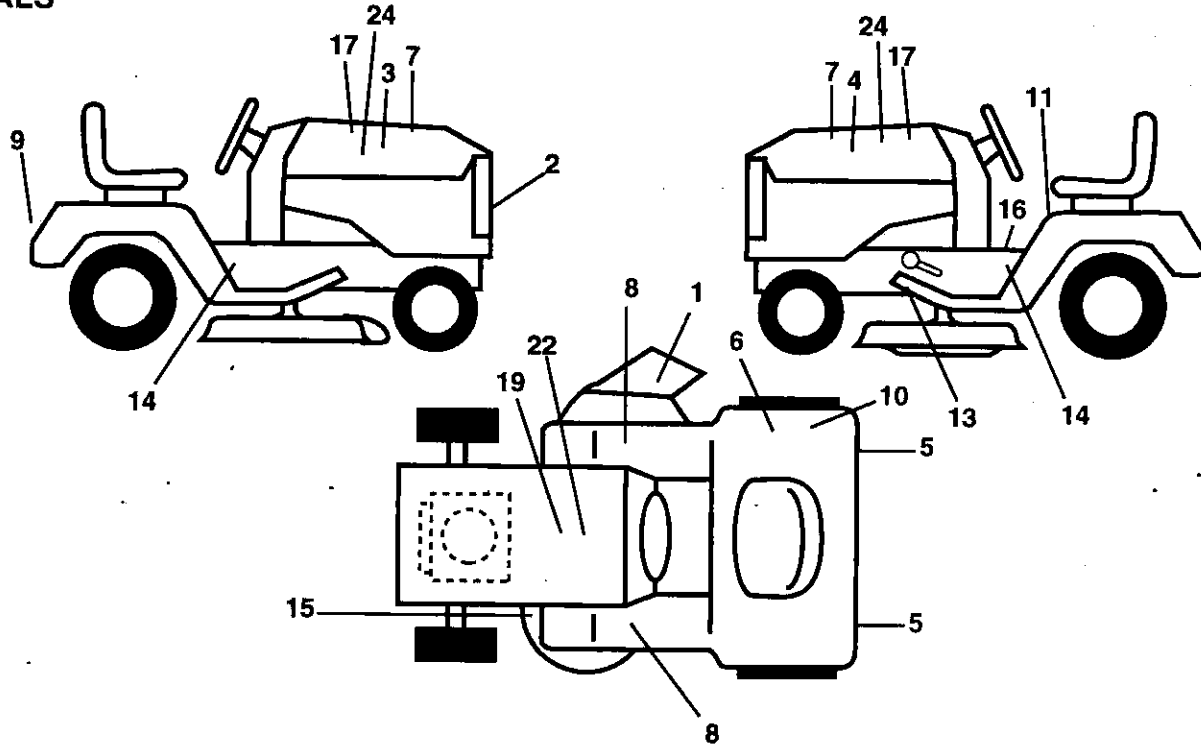
KEY NO.	PART NO.	DESCRIPTION
18	124238X	Cap Spring Seat
21	153236	Bolt Shoulder 5/16-18 Unc Blkz-2A
22	STD541431	Nut Lock Hex W/Ins 5/16-18
23	74780814	Bolt Fin Hex 1/2-13 X 7/8 Gr 5
24	19171912	Washer 17/32 X 1-3/16 X 12 Ga
25	127018X	Bolt Shoulder 5/16-18 X 62
26	STD551150	Washer Lock Hvy Hlcl Spr 1/2
27	17490608	Screw Thdrol. 3/8-16 x 1/2
28	150176	Bolt 5/16 -18 UNC X 3/4 W/Sems

NOTE: All component dimensions given in U.S. inches.
1 inch = 25.4 mm

REPAIR PARTS

TRACTOR -- MODEL NUMBER 917.251360

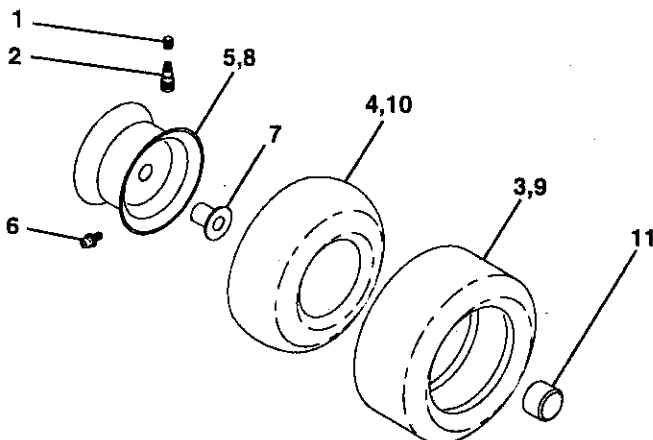
DECALS



KEY NO.	PART NO.	DESCRIPTION
1	145494	Decal, Mower Cutoff Symbol
2	151696	Decal, Grille Lawn Tractor Dov
3	151693	Decal, Hood Rh Craftsman
4	151694	Decal, Hood Lh Craftsman
5	106202X	Reflector, Taillight Red/ Amber
6	145437	Decal, Europe Stand CE
7	151799	Decal, Panel Side B&S
8	145245	Pad, Footrest
9	128314	Decal, Fender Craftsman White
10	125690X	Decal, 100 DBA
11	145498	Decal, Read Owners Manual Syms
13	146046	Decal, V-belt Dr Sch Tractor E

KEY NO.	PART NO.	DESCRIPTION
14	151695	Decal, Chassis 6 Sp 44"
15	139346	Decal, Mower Drive Schematic
16	140837	Decal, Saddle Brake Parking
17	151795	Decal, Insert, Hood
19	138047	Decal, Battery Diehard Sears
22	146451	Decal, Battery
24	138048	Decal, Panel Side Diehard White
--	138311	Decal, Lift Handle
--	137318	Decal, Refl HL YTGT 1Pc Srs.
--	137319	Decal, Refl HL YTGT 1Pc Srs.
--	145247	Fastener, Pop-In Footrest
--	153863	Manual, Oper (Euro)
--	153864	Manual, Oper (Scand)

WHEELS & TIRES



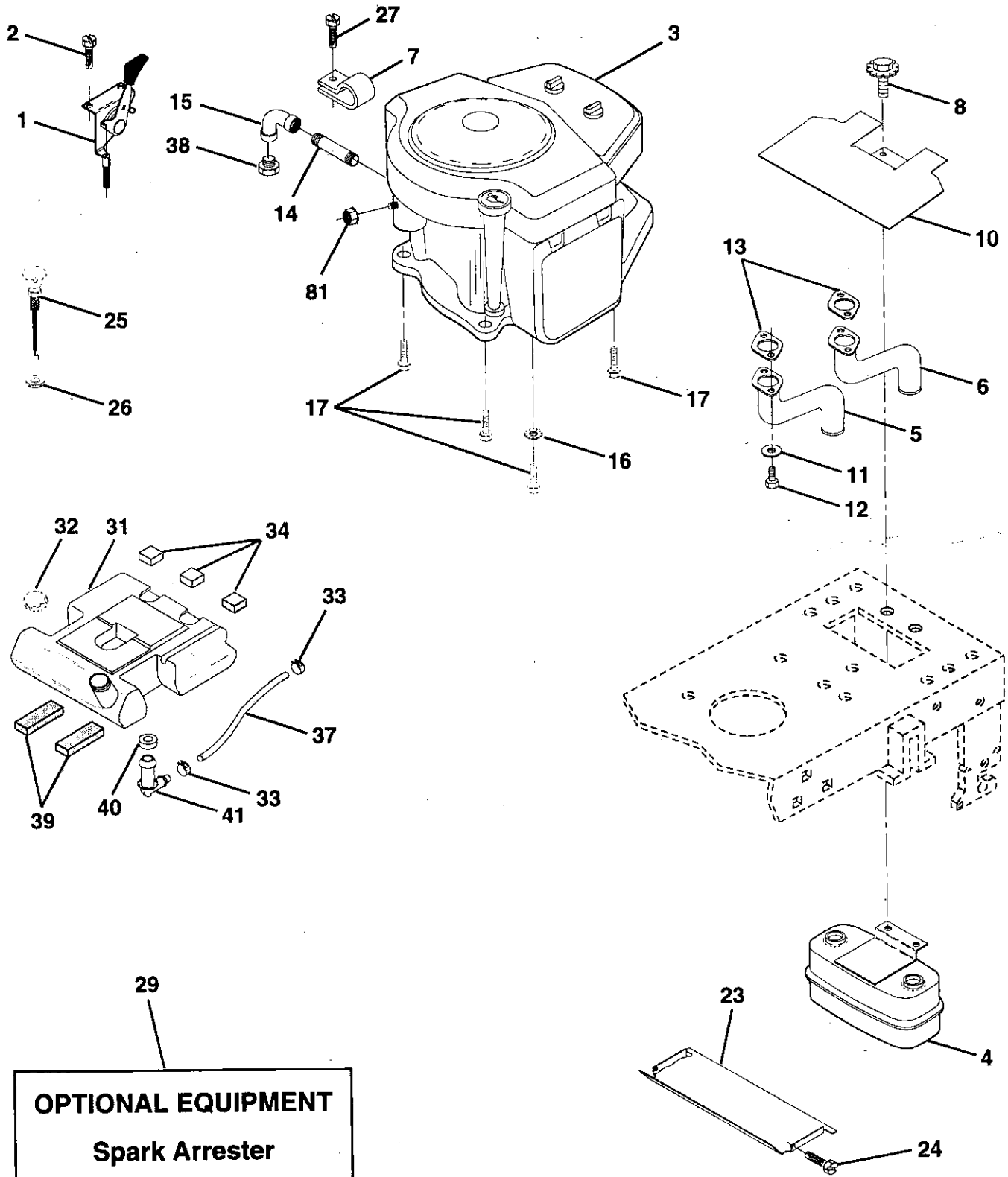
KEY NO.	PART NO.	DESCRIPTION
1	59192	Cap Value Tire
2	65139	Stem Value
3	106222X	Tire F Ts 15 X 6 0 - 6 Service
4	59904	Tube Inner Front #35060
5	106732X427	Rim Asm 6"front White Service
6	278H	Fitting Grease
7	9040H	Bearing Flange
8	124074X427	Rim Asm 12"rear White Service
9	124106X	Tire R Ts 23 x 8.5-12 Service
10	7152J	Tube Rear 9 5 X 8 Service
11	104757X	Cap Axle Blk 1 50 X 1 00
--	144334	Sealant, Tire (10 oz. Tube)

NOTE: All component dimensions given in U.S. inches.
1 inch = 25.4 mm

REPAIR PARTS

TRACTOR - - MODEL NUMBER 917.251360

ENGINE



REPAIR PARTS

TRACTOR - - MODEL NUMBER 917.251360

ENGINE

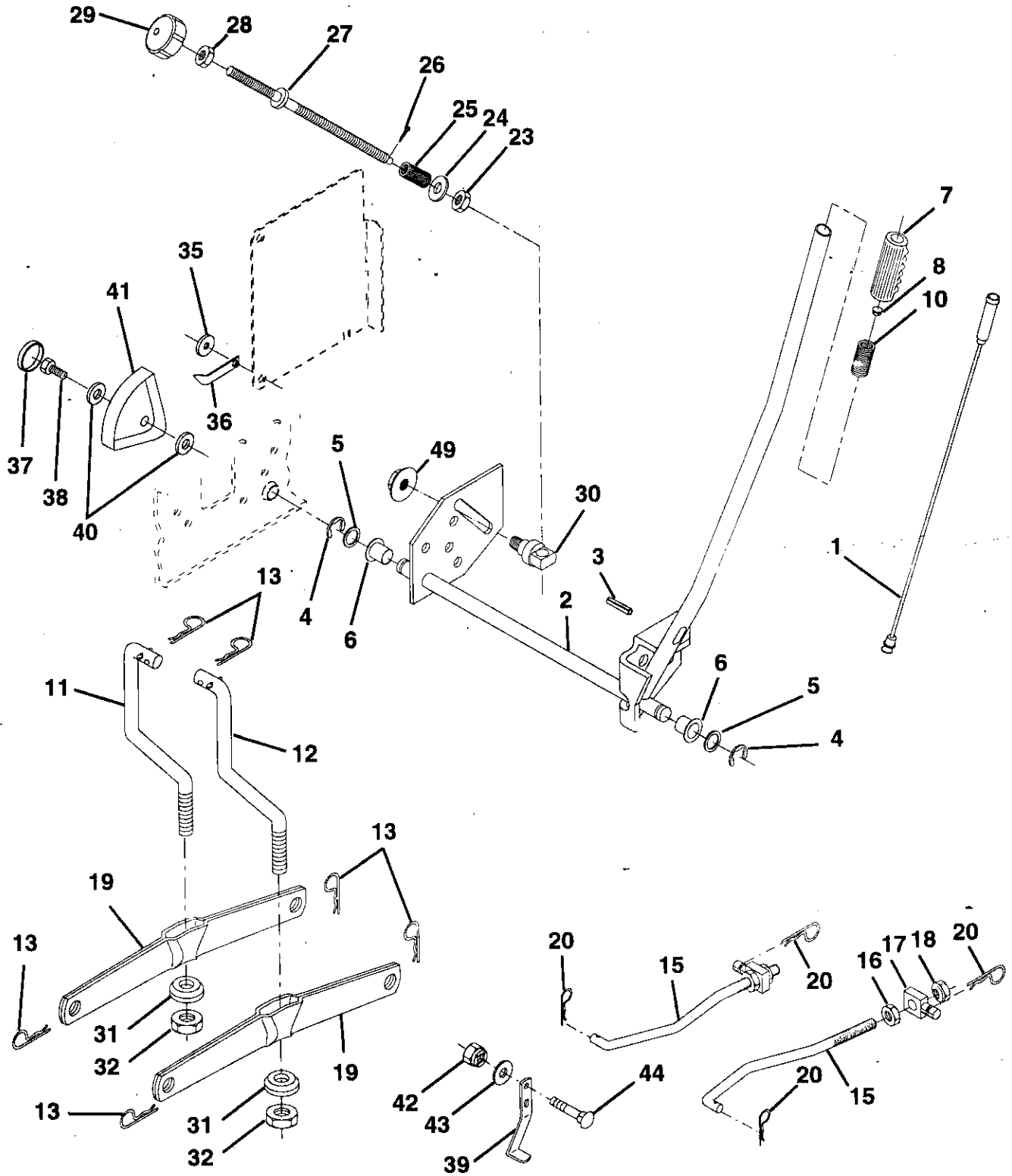
KEY NO.	PART NO.	DESCRIPTION
1	132755	Control Throt RH Blk Pdl 36 60
2	17720410	Screw Hex Thd Cut 1/4-20x5/8 T
3	150469	Engine B&S, 20 HP, Model No. 460777, Type Number 1297-01
4	149723	Muffler Asm Twin Lo-Tone
5	144068	Exhaust Asm RH B&S 18 HP Vert
6	144069	Exhaust Asm LH B&S 18 HP Vert
7	138129	Clamp Tube Double Engine
8	150716	Bolt 5/16-18 UNC x 3/4 w/ Sems
10	145552	Shield Heat
11	STD551125	Washer Lock Hvy Helical 1/4
12	STD522507	Bolt Fin Hex 1/4-20unc X 75
13	272250	Gasket Muffler #272250
14	13280336	Nipple Pipe 4-1/2"
15	13200300	Elbow Std 90 Degree 3/8-18 Npt
16	STD551237	Washer Lock Ext Tooth 3/8
17	17490624	Screw Thdrol 3/8-16 X 1-1/2 Tt
23	150554	Shield Heat Browning
24	17490512	Screw Thdrol 5/16-18 x 3/4 TYT
25	138672	Control Choke 51.00 Blk W/bend
26	73920600	Nut Keps 3/8-24 Unf
27	152927	Screw
29	137180	Kit Spark Arrestor
31	151346	Tank Fuel
32	151296	Cap Asm Fuel w/Gauge Vented
33	123487X	Clamp Hose Blk
34	106082X	Pad Spacer
37	8543R	Line Fuel 54"
38	-----	Plug Oil Drain (Order From Engine Manufacturer)
39	109227X	Pad Idler
40	3645J	Bushing
41	139277	Stem Fuel Tank
81	128861	Nut Flange 1/4-20 Starter Nut

NOTE: All component dimensions given in U.S. inches
1 inch = 25.4 mm

REPAIR PARTS

TRACTOR -- MODEL NUMBER 917.251360

MOWER LIFT



REPAIR PARTS

TRACTOR - - MODEL NUMBER 917.251360

MOWER LIFT

KEY NO.	PART NO.	DESCRIPTION
1	121006X	Rod, Lever
2	140673	Shaft, Lift
6	74780624	Bolt Hex 3/8-16 x 1-1/2
7	125631X	Grip, Handle
8	122365X	Button, Plunger
9	122364X	Plunger, Lever
10	2876H	Spring
11	145537	Link, Lift, LH
12	145536	Link, Lift, RH
13	STD624008	Retainer, Spring
14	121002X	Lever, Lift (Includes Key No. 1)
15	127218	Link-Front
16	73350800	Nut, Hex, Jam 1/3-13 UNC
17	130171	Trunnion, Blk Zinc
18	STD541450	Nut, Lcck W/Wsh 1/2-13
19	139868	Arm, Suspension
20	STD624008	Retainer Spring
23	110807X	Nut, Hex, Special
24	STD551037	Washer 13/32 x 5/8 x 16 Gauge
25	137150	Spring
26	STD560907	Pin, Cotter 3/32 x 1/2
27	137167	Rod, Adjust, Lift
28	STD541237	Nut, Hex, Jam 3/8-16
29	138057	Knob, Infinite Height Adjustment
30	150233	Trunnion
31	140302	Bearing Pvt Lift Spherical
32	73540600	Nut, Crownlock 3/8-24
35	120529X	Washer Nylon .44 x .75 x .032
36	123933X505	Pointer Pnt Height Ind
37	123935X	Plug Hole Blk
38	17490512	Screw, Thdrol 5/16-18 x 3/4
39	142992	Stop Over Center
40	19112410	Washer 11/32 x 1-1/2 x 10 Ga.
41	123934X	Scale Ind. Height Blk
42	STD541437	Nut Crownlock 3/8-16 UNC
43	19131612	Washer 13/32 x 1 x 12 Ga.
44	STD533710	Bolt Carriage 3/8-16 x 1.00
46	12000022	E-Ring
47	19292016	Washer 29/32 x 1-1/4 x 16 Gauge
49	145212	Nut Hex Flange Lock

NOTE: All component dimensions given in U.S. inches.
1 inch = 25.4 mm

REPAIR PARTS

TRACTOR - - MODEL NUMBER 917.251360

MOWER DECK

