



REPAIR PARTS MANUAL
MODEL NO. 251160
Lawn Tractor

23HK 48"

CRAFTSMAN®

HOW TO USE THIS MANUAL

This manual is designed to provide the customer with a means to identify the parts on his/her tractor when ordering repair parts. The illustrations may or may not represent the actual assemblies; therefore, it is not recommended to use this manual as a guide to assemble or disassemble the tractor. Some hardware and parts are drawn larger in order to more readily identify them.

Each tractor has its own model number.

The model number for your tractor can be found on the fender under the seat.

When ordering parts, always give the following information:

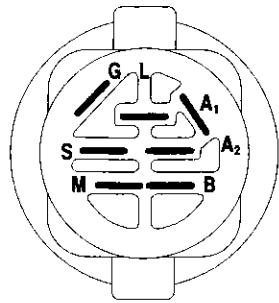
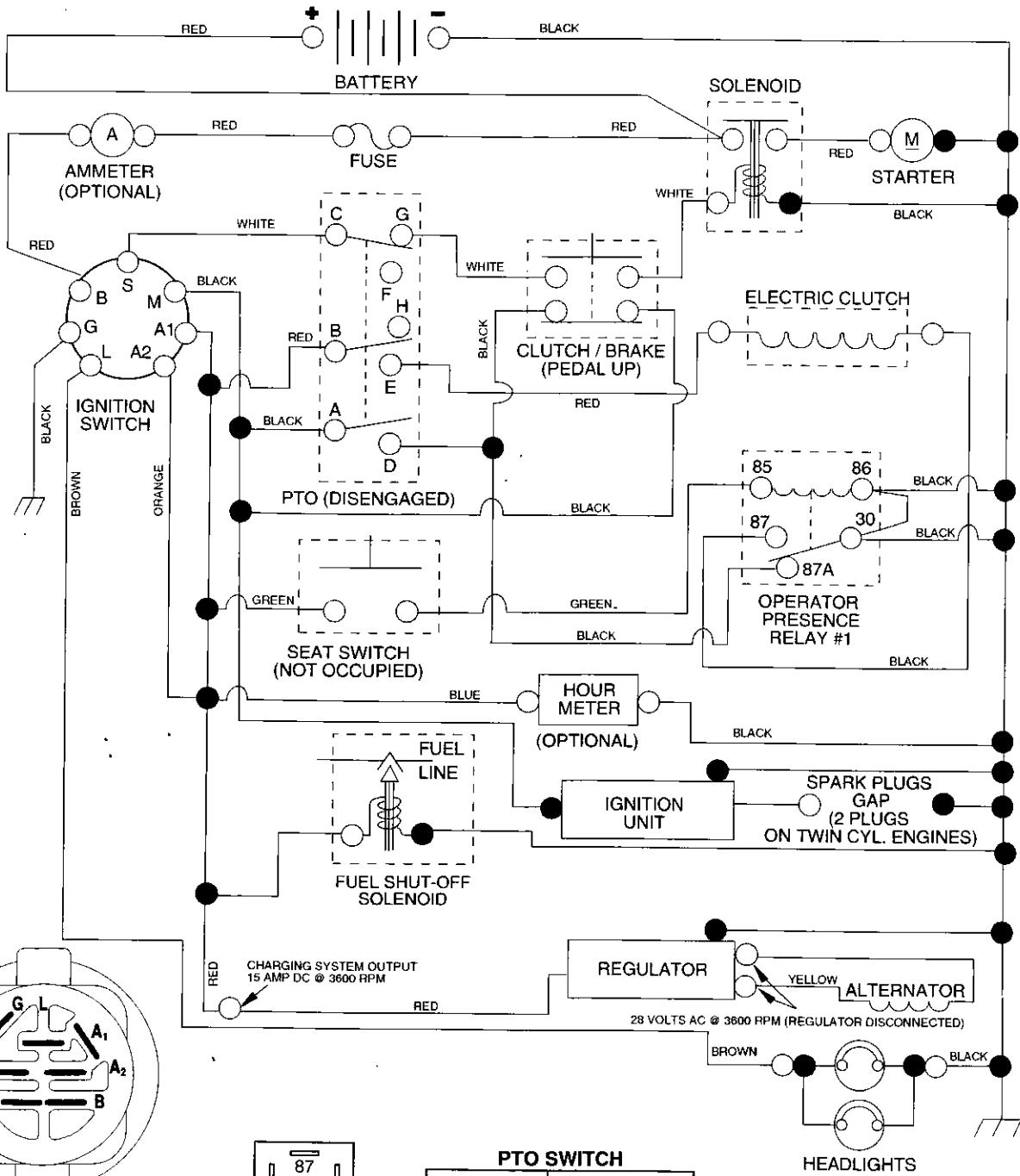
- Product - "Tractor"
- Model Number - "251160"
- Part Number
- Part Description

TABLE OF CONTENTS

SCHEMATIC.....	3
ELECTRICAL.....	4-5
CHASSIS.....	6-7
DRIVE.....	8-9
STEERING.....	10-11
SEAT.....	12
DECALS.....	13
ENGINE.....	14-15
MOWER LIFT.....	16-17
MOWER DECK.....	18-19
TRANSAXLE.....	20-21
ENGINE BREAKDOWN.....	22-29
WARRANTY.....	31

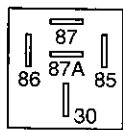
TRACTOR- -MODEL NO. 917. 251160

SCHEMATIC



IGNITION SWITCH

POSITION	CIRCUIT	"MAKE"
OFF	M + G + A1	NONE
ON + LIGHTS	B + A1	L + A2
ON	B + A1	NONE
START	B + S + A1	NONE



RELAY

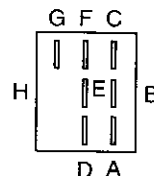
PTO SWITCH	
POSITION	CIRCUIT
OFF	C + G, B + H
ON	C + F, B + E, A + D



REMOVABLE CONNECTIONS



NON-REMOVABLE CONNECTIONS

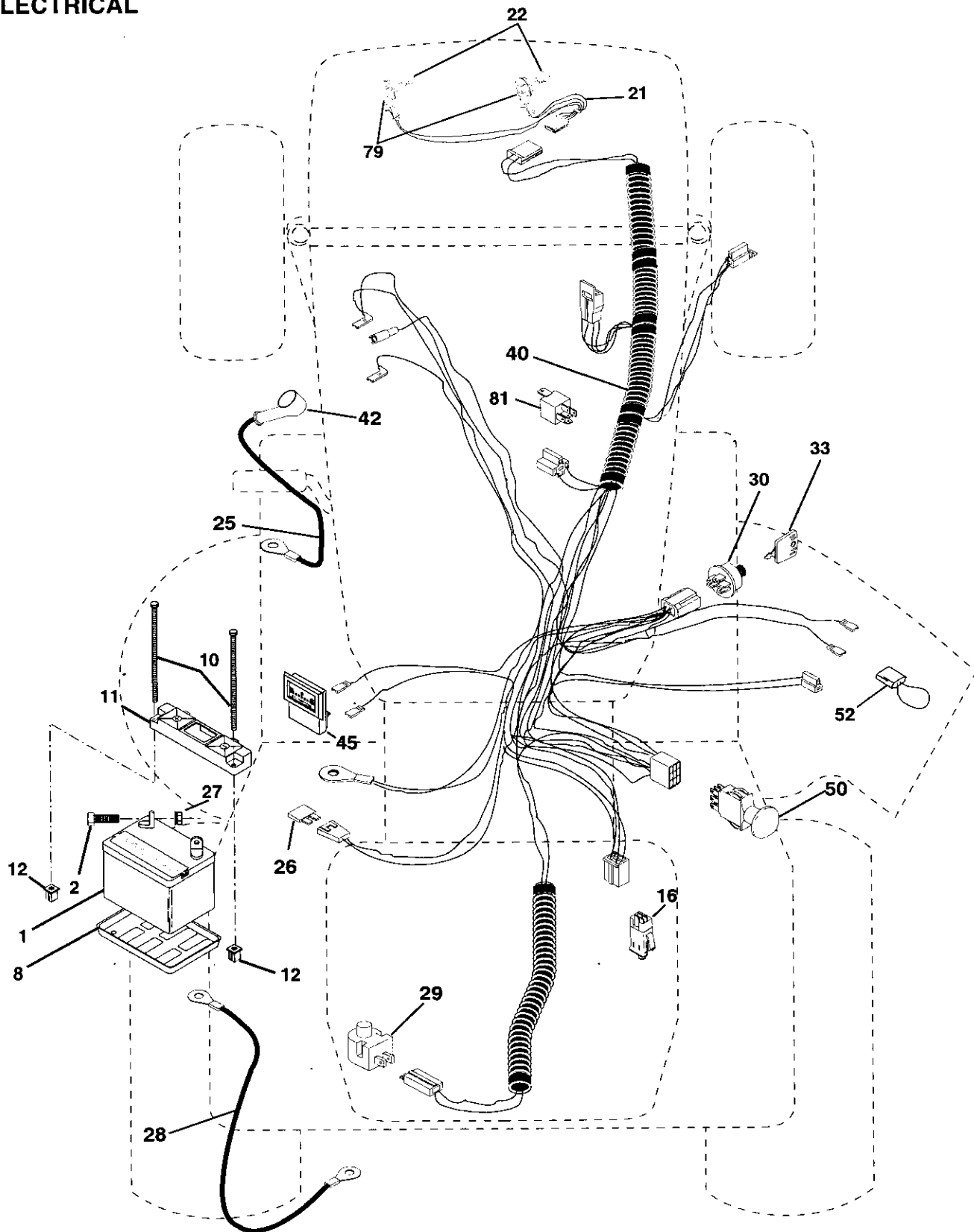


WIRING INSULATED CLIPS
NOTE: IF WIRING INSULATED CLIPS WERE REMOVED FOR SERVICING OF UNIT, THEY SHOULD BE REPLACED TO PROPERLY SECURE YOUR WIRING.

REPAIR PARTS

TRACTOR- -MODEL NO. 917. 251160

ELECTRICAL



REPAIR PARTS

TRACTOR- -MODEL NO. 917. 251160

ELECTRICAL

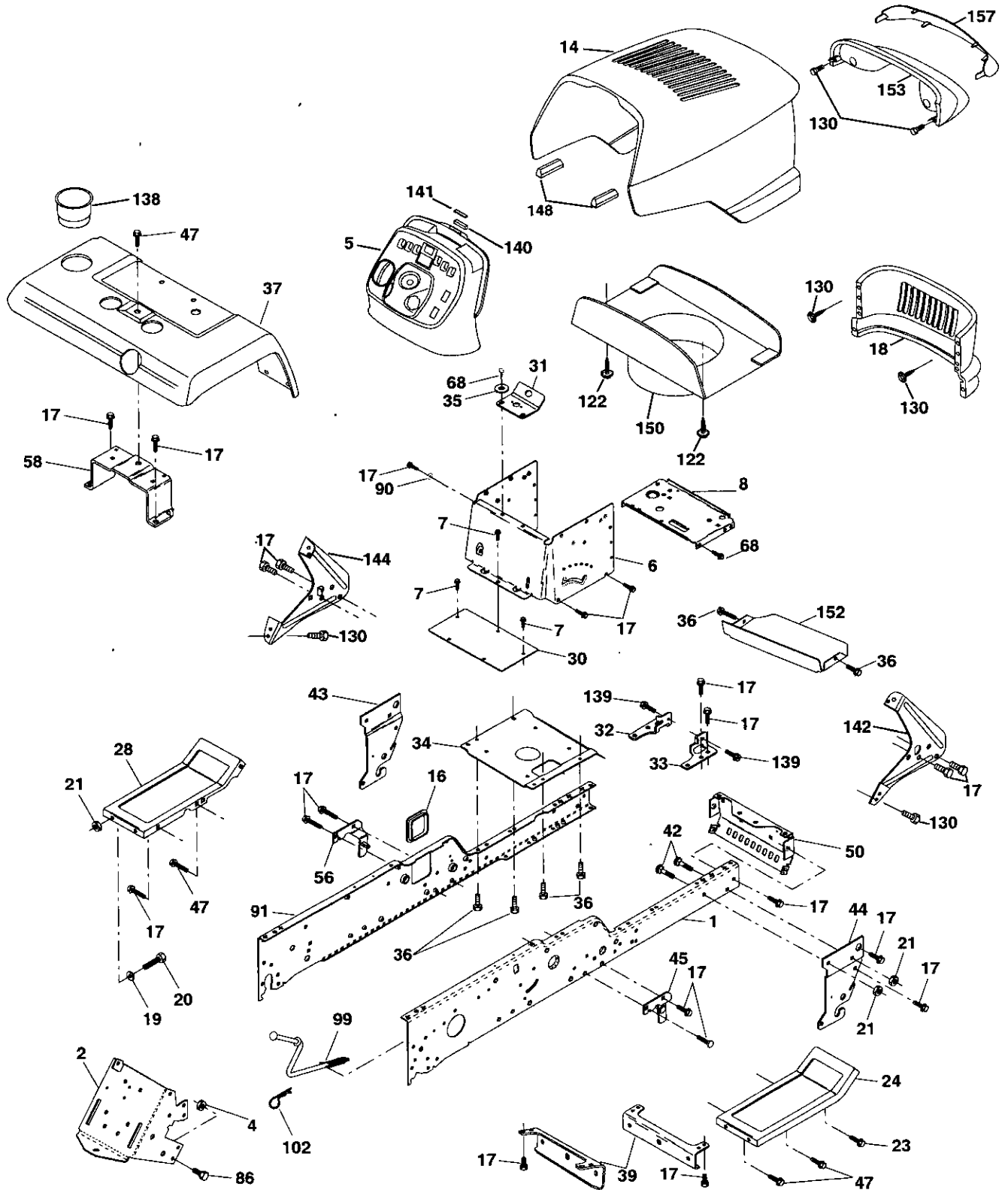
KEY NO.	PART NO.	DESCRIPTION
1	144927	Battery
2	74760412	Bolt Hex Head 1/4-20 x 3/4
8	7603J	Tray, Battery
10	145211	Bolt 1/4-20 x 7.5 Zinc
11	150109	Hold down Battery Dash Mount
12	145769	Nut Push Nylon 1/4"
16	153664	Switch Interlock Push-In
21	166184	Harness Socket Light W/4152J
22	4152J	Bulb Light
25	150755	Cable, Battery
26	108824X	Fuse
27	73510400	Nut Keps Hex 1/4-20 Unc
28	170697	Cable, Ground
29	160784	Switch, Plunger
30	175566	Switch, Ign
33	140403	Key, Ignition
40	170238	Harness Ign.
42	154336	Cover, Terminal
45	122822X	Ammeter
50	174652	Switch, PTO
52	141940	Protection Wire Loop
79	163996	Bulbholder Asm Incandescent SV
81	109748X	Relay Asm.

NOTE: All component dimensions given in U.S. inches.
1 inch = 25.4 mm.

REPAIR PARTS

TRACTOR- -MODEL NO. 917. 251160

CHASSIS AND ENCLOSURES



REPAIR PARTS

TRACTOR- -MODEL NO. 917. 251160

CHASSIS AND ENCLOSURES

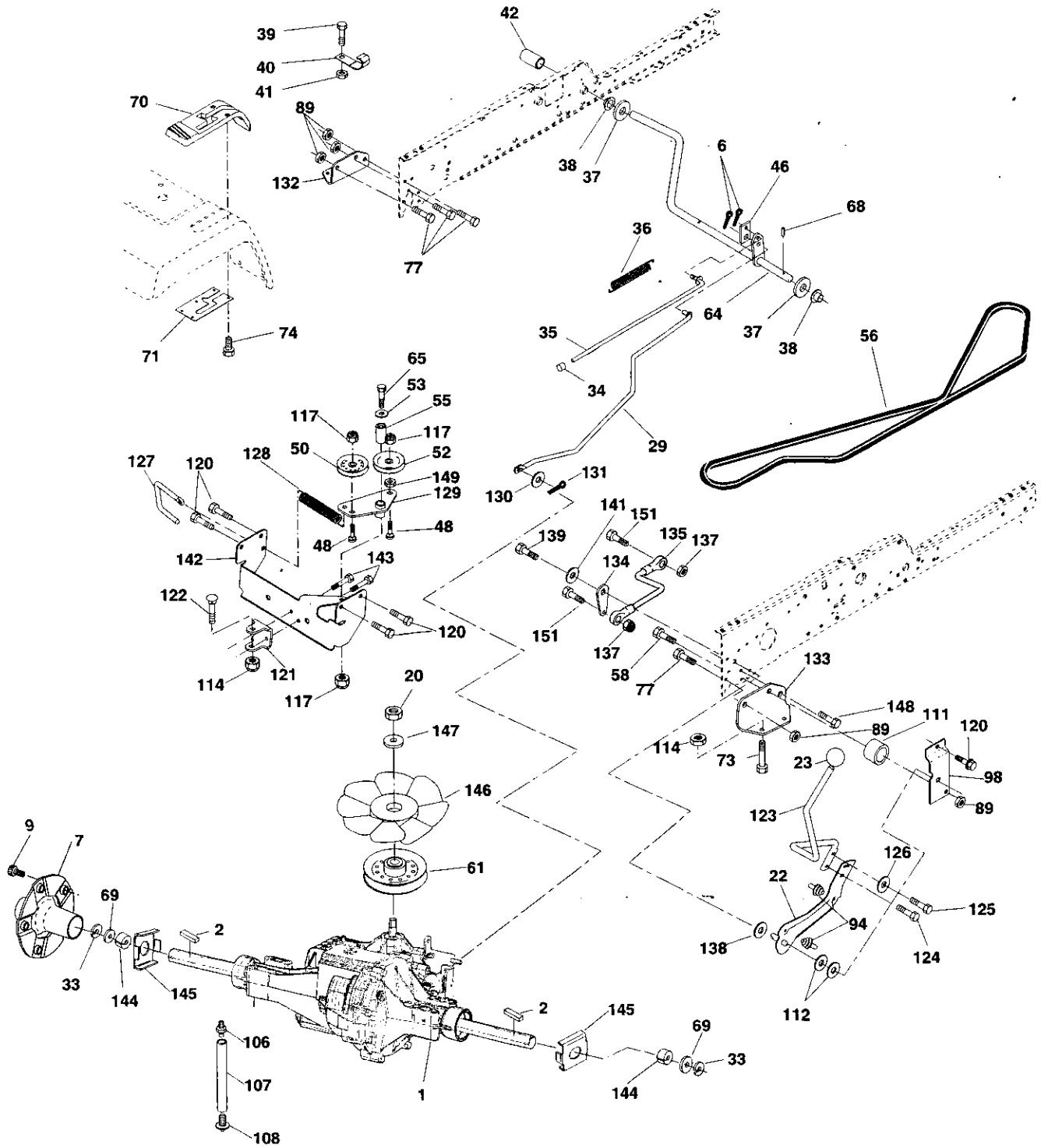
KEY NO.	PART NO.	DESCRIPTION	KEY NO.	PART NO.	DESCRIPTION
1	175465	Rail, Frame RH	45	176018	Bracket Asm., Susp Chas.Rh
2	175282	Drawbar, Gt	47	17490608	Screw Thdrol. 3/8-16 x 1/2
4	73680700	Nut, Lock Crown 7/16 Unc	50	175476	Bracket, Chassis Front
5	163976X428	Dash YTGT 2 Cyl	56	176016	Bracket Asm., Susp Chas. Lh
6	157882	Dash, Lower Vgt One Piece	58	175315	Bracket Asm., Fender
7	17720408	Screw, Thd Cut 1/4-20 x 1/2	68	17490508	Screw Thdrol. 5/16-18 x 1/2
8	145166	Support, Battery	84	142992	Stop, Over Center Mower
14	175259X558	Hood Asm.	86	74760716	Bolt Fin Hex 7/16-14 UNC x 1
16	121794X	Cover, Access	90	STD551237	Washer, Lock Ext. Tooth 3/8
17	17060612	Screw 3/8-16 x .75	91	175464	Rail, Frame Lh
18	174515X558	Grille	99	177143	Rod By Pass
19	19131312	Washer 13/32x13/16x12 Ga.	102	STD624003	Retainer, Spring
20	STD523710	Bolt, Fin Hex 3/8-16 x 1	122	161464	Screw Hex Wshd 8-18 x 7/8
21	STD541437	Nut Crownlock 3/8-16 Unc	130	164863	Screw Hwhd Hi-Lo #13-16x3/4
23	17060616	Screw 3/8-16 x1.5	138	163975X428	Cup Holder
24	145243X558	Footrest, RH	139	171873	Bolt Shoulder 5/16-18 TT
28	145244X558	Footrest, LH	140	163806	Magnet YTGT
30	145052	Saddle, Hydro	141	163805	Striker Plate YTGT
31	161419	Brace, Supt 1-pc VGT	142	161897	Bracket Dash Rh
32	161327	Bracket, Pivot Chassis Lh	144	161900	Bracket Dash Lh
33	161326	Bracket, Pivot Chassis Rh	148	164655	Extrusion Bumpers
34	177018	Plate Asm. Engine	150	161237	Duct Heat Hood
35	19111116	Washer 11/32x11/16x16 Ga.	152	177956	Shield Browning
36	STD522507	Bolt, Fin Hex 5/16-18 x 3/4	153	160568	Lens Asm Headlight Bar
37	167287X558	Fender Pnt	156	17060512	Screw 5/16-18 x 3/4
39	175278	Bracket, Axle Front	157	161840	Lens Bar
42	STD533710	Bolt, Carriage 3/8-16 x 1			
43	136939	Bracket, Spnsn Front Lh			
44	136940	Bracket, Spnsn Front Rh			

NOTE: All component dimensions given in U. S. inches
1 inch = 25.4 mm

REPAIR PARTS

TRACTOR- -MODEL NO. 917.251160

DRIVE



REPAIR PARTS

TRACTOR- -MODEL NO. 917.251160

DRIVE

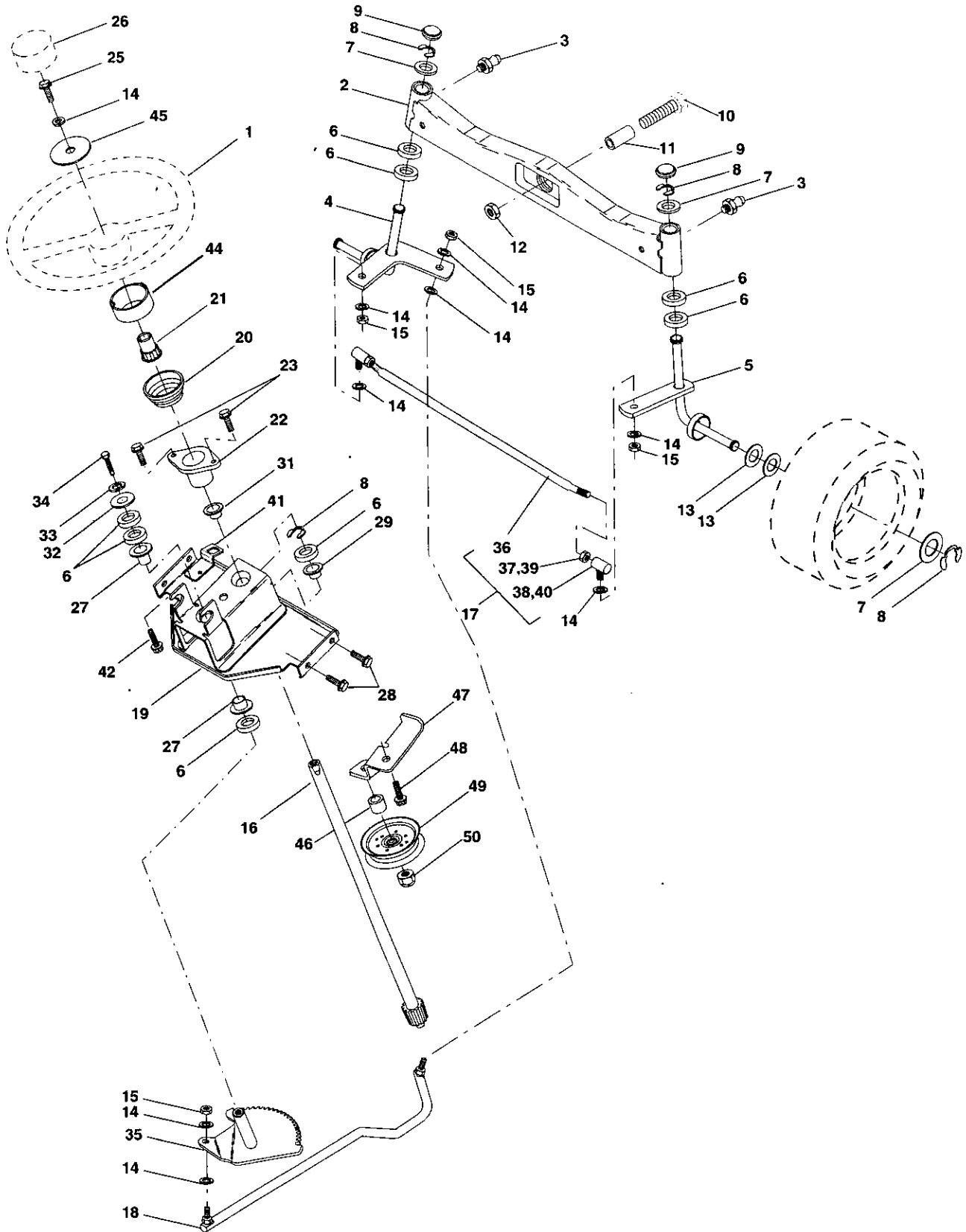
KEY NO.	PART NO.	DESCRIPTION	KEY NO.	PART NO.	DESCRIPTION
1	-----	Transaxle (See Breakdown) Hydro Gear 331-3000	106	142918	O-Ring Asm Hydro Gear 70110
2	9396E	Key 1/4 x 1/4 x 2	107	154739	Line Fuel Hydro 15" VGT
6	STD561210	Pin, Cotter	108	142917	Cap Asm Vent Hydro Gear 70109
7	140507	Wheel, Hub Assembly	111	156240	Spacer Shift Lever VGTH
9	140080	Bolt, Hub	112	156104	Washer Nylon High Temp
20	73940800	Nut Hex Jam Toplock 1/2-20	114	73800500	Nut Lock Hx w/Ins 5/16-18 Unc
22	178391	Arm Asm Shift	117	73900600	Nut, Lock Flg. 3/8-16
23	130564	Knob	120	17060612	Screw 3/8-16 x .75
29	176600	Brake, Rod	121	175611	Bracket Strap Torque
33	12000053	Ring E	122	72110520	Bolt RDHDSQ 5/16-18 Unc x 2-1/2
34	71673	Cap, Plunger	123	176602	Rod Shift
35	137648	Rod, Parking Brake	124	165492	Bolt Shoulder 5/16-18 x .561
36	149412	Spring, Drive Ground	125	166880	Screw 5/16-18 x 5/8
37	121749X	Washer 25/32x1-1/4x16 Ga.	126	166002	Washer Srrtd 5/16 ID x 1.0 x .125
38	150035	Nyliner	127	177362	Link Control Clutch
39	74321016	Screw, Fin. #10-24 x 1	128	176624	Spring Drive Grnd
40	5304J	Actuator, Interlock Switch	129	178588	Bracket Asm. Idler Tensioning
41	73661000	Locknut #10-24	130	19131016	Washer 13/32 x 5/8 x 16 Ga.
42	8883R	Cover, Pedal	131	76020308	Pin Cotter 3/32 x 1/2
46	145170	Retainer, Spring	132	175467	Bracket Mtg Hydro 3500 LH VGT
48	7211614	Bolt, RDHD 3/8-16x1-3/4 Gr. 5	133	175468	Bracket Mtg Hydro 3500 RH VGT
50	173438	Pulley, Idler, Flat	134	176623	Arm Shift Hydro 3500
52	127783	Pulley, Idler, Grooved	135	177364	Link Asm Control Hydro 3500
53	207J	Washer, Hardened	136	74780516	Bolt Fin Hex 5/16-18 Unc x 1.00
55	105706X	Bearing, Idler	137	1685H	Nut Lock 5/16-18 NC Thd
56	161597	V-Belt	138	1370H	Washer Thrust 5/8 x 1.10 x 1/32
58	74760724	Bolt Fin Hex 7/16-14 x 1-1/2	139	74550412	Bolt 1/4-28 Unf Gr8 w/Patch
61	143995	Pulley, Hydro	140	10040400	Washer Lock Hvy Helical 1/4
64	176601	Shaft, Clutch/Brake Pedal	141	19091210	Washer 9/32 x 3/4 x 10 Ga.
65	67609	Bolt, Shoulder	142	175469	Strap Torque HG-3500
68	STD571812	Pin, Roll	143	17490508	Screw Thdrol 5/16-18 x 1/2
69	123800X	Washer	144	160849	Washer Spacer Axle HG-3000
70	164892X428	Console Automatic YT/GT	145	163168	Washer Axle Flange HG-3000
71	151179	Plate Console Shift	146	140462	Fan 7" Hydro
73	74490548	Bolt Hex Flghd 5/16-18x3 Gr5	147	141322	Washer
74	142432	Screw Hex Wsh. Hi-Lo 1/4-12	148	17060616	Screw 3/8-16 x 1.0
77	74760716	Bolt Fin Hex 7/16-14 x 1	149	19131410	Washer 13/32 x 7/8 x 10 Ga.
89	73680700	Nut Crownlock 7/16-14 Unc			
94	133835	Fastener Christmas Tree			
98	141004	Bracket Shift			

NOTE: All component dimensions given in U.S. inches
1 inch = 25.4 mm

REPAIR PARTS

TRACTOR- -MODEL NO. 917.251160

STEERING ASSEMBLY



REPAIR PARTS

TRACTOR- -MODEL NO. 917.251160

STEERING ASSEMBLY

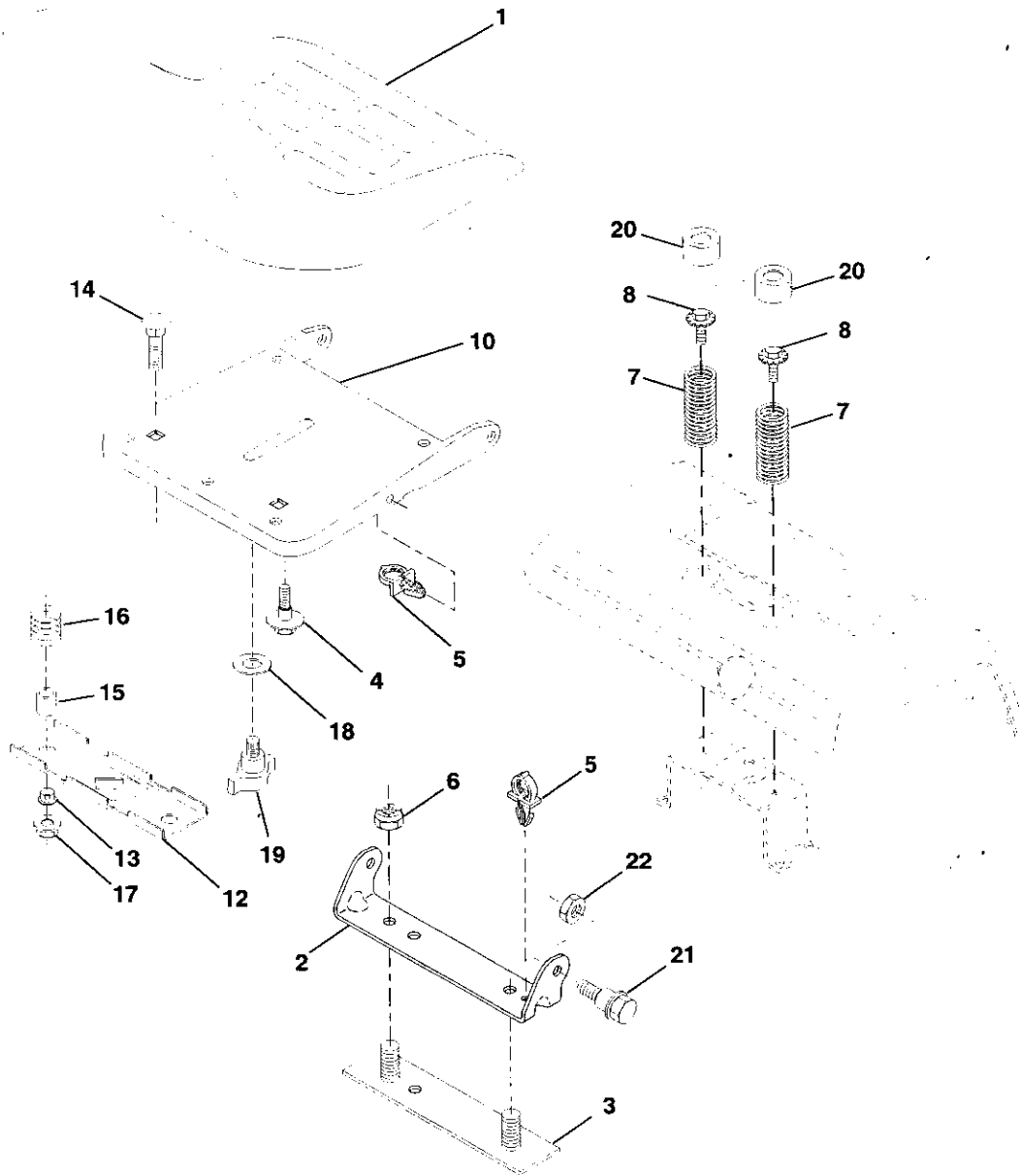
KEY NO.	PART NO.	DESCRIPTION
1	159944X428	Wheel, Steering
2	137094	Axle Asm., Front
3	6855M	Fitting, Grease
4	161849	Spindle Asm, LH
5	161848	Spindle Asm., RH
6	6266H	Bearing, Race Thrust Harden
7	121748X	Washer 25/32 x 1-5/8 x 16 Ga.
8	12000029	Ring, Klip #T5304-75
9	121232X	Cap, Spindle
10	74781044	Bolt, Fin Hex 5/8-11 x 2-3/4
11	136518	Spacer Bearing Axle Front
12	73901000	Nut, Lock Flange 5/8-11 Unc
13	121749X	Washer 25/32 x 1-1/4 x 16 Ga.
14	STD551137	Washer, Lock Hvy Hlcl Spr 3/8
15	STD541537	Nut, Lock Center 3/8-24 UNF
16	145103	Shaft Asm., Steering
17	137347	Rod Asm., Tie Ball J Ball Vgt (Inc. Key No. 36-40)
18	175572	Draglink
19	156011	Support Asm., Steering Vgt
20	163887X428	Boot, Steering
21	159945	Adapter, Wheel Steering
22	155105	Bushing, Strg. Blk
23	152927	Screw
25	74780616	Bolt, Fin Hex 3/8-16 x 1 Gr. 5
26	159946X428	Cap, Wheel Steering
27	3366R	Bearing, Col. Strg.
28	17000612	Screw, 3/8-16 x 3/4
29	104239X	Bearing, Flange
31	138136	Bushing, Nyliner Snap
32	19111610	Washer 11/32 x 1 x 10 Ga.
33	STD551131	Washer, Lock Hvy Hlcl Spr 5/16
34	74780512	Bolt Fin Hex 5/16-18 Unc x 3/4
35	138059	Gear, Sector Steering
36	176584	Tie Rod
37	73360600	Jam Nut RH Thread
38	109850X	Joint Asm. Ball RH Thread
39	73700600	Jam Nut LH Thread
40	109851X	Joint Asm. Ball LH Thread
41	155246	Bracket Switch Interlock VGT 97
42	17490508	Screw Thdrol 5/16-18 x 1/2 Tyt
44	160135X428	Extension, Steering
45	19132411	Washer 13/32 x 1-1/20 x 11 Ga.
46	19131410	Washer 13/32 x 7/8 x 10 Ga.
47	177863	Bracket Asm Idler Stationary
48	17060612	Screw 3/8-16 x .75
49	131494	Pulley Idler Flat
50	73900600	Nut Lock Fig. 3/8-16 Unc

NOTE: All component dimensions given in U. S. inches 1 inch = 25.4 mm

REPAIR PARTS

TRACTOR- -MODEL NO. 917.251160

SEAT ASSEMBLY



KEY NO.	PART NO.	DESCRIPTION
1	140124	Seat
2	140551	Bracket, Pivot Seat
3	140675	Strap, Fender
4	127018X	Bolt, Shoulder 5/16-18 x .62
5	145006	Clip, Push In, Hinged
6	STD541437	Nut, Crownlock 3/8-16 Unc
7	124181X	Spring, Seat Cprsn
8	171877	Bolt 5/16-18Uncx3/4 w/Sems
10	174894	Pan, Seat
12	121246X	Bracket, Mounting Switch
13	121248X	Bushing, Snap

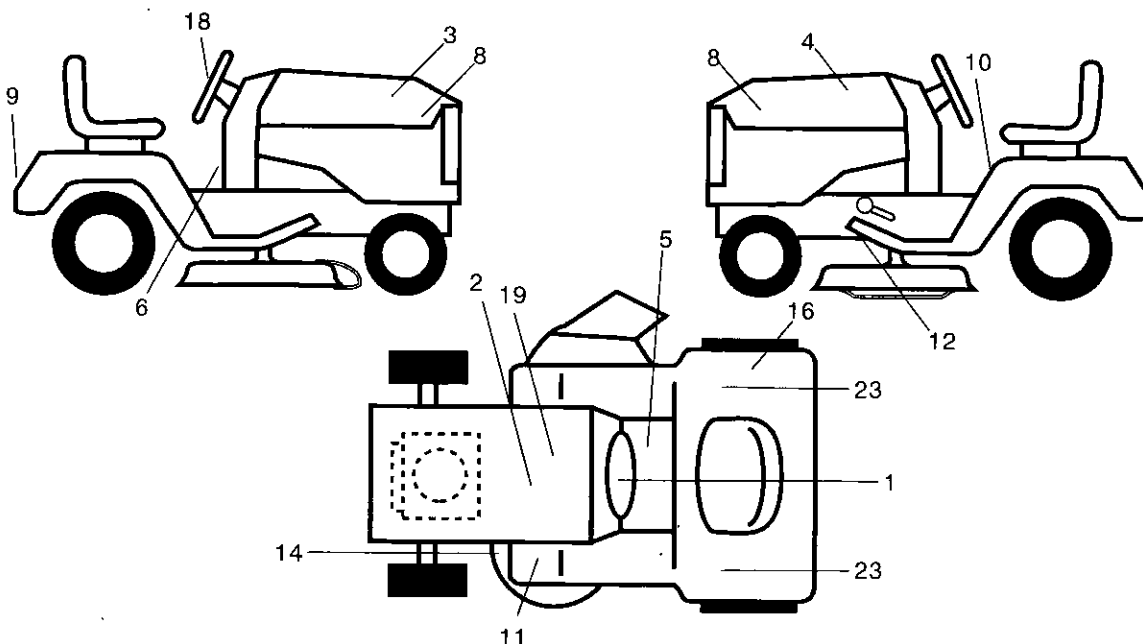
KEY NO.	PART NO.	DESCRIPTION
14	72050412	Bolt, Carriage 1/4-20 X 1-1/2
15	121249X	Spacer, Split
16	123740X	Spring, Cprsn
17	123976X	Nut, Lock 1/4 Lge Flg Gr. 5
18	19171912	Washer 17/32x1-3/16x12 Ga.
19	166369	Knob, Seat
20	124238X	Cap, Spring Seat
21	171852	Bolt, Shoulder 5/16-18
22	STD541431	Nut, Crownlock 5/16-18 Unc

NOTE: All component dimensions given in U.S. inches.
1 inch = 25.4 mm

REPAIR PARTS

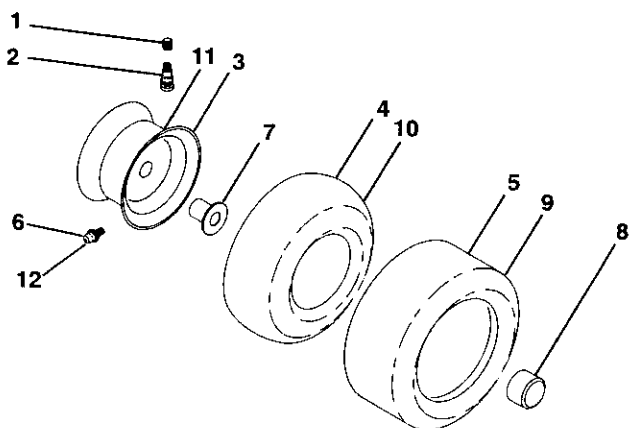
TRACTOR- -MODEL NO. 917.251160

DECALS



KEY NO.	PART NO.	DESCRIPTION	KEY NO.	PART NO.	DESCRIPTION
1	177375	Decal Dash	16	125027X	Decal 105 DBA
2	145005	Decal Battery DNGR/PSN ENG Asm.	18	164065	Decal Insert Strg
3	171702	Decal Hood RH Craftsman	19	138047	Decal Battery
4	171703	Decal Hood LH Craftsman	23	106202X	Reflectro, Taillight
5	140837	Decal Brake Parking Saddle	--	166960	Decal Bypass
6	164487	Decal Dash	--	162598	Decal Drawbar load limit
8	177415	Decal Hood Side Pnl	--	157199X428	Pad Footrest
9	163204	Decal, Fender Craftsman	--	138311	Decal Handle Lft Height Adjust (Lift Handle)
10	145498	Decal Read Owners Manual	--	178194	Manual Owners (Euro)
11	177873	Decal Clutch/Brake	--	178195	Manual Owners (Scan)
12	177554	Decal V-Belt Dr Sch	--	178366	Manual Parts
14	175291	Decal V-Belt Schem			

WHEELS & TIRES



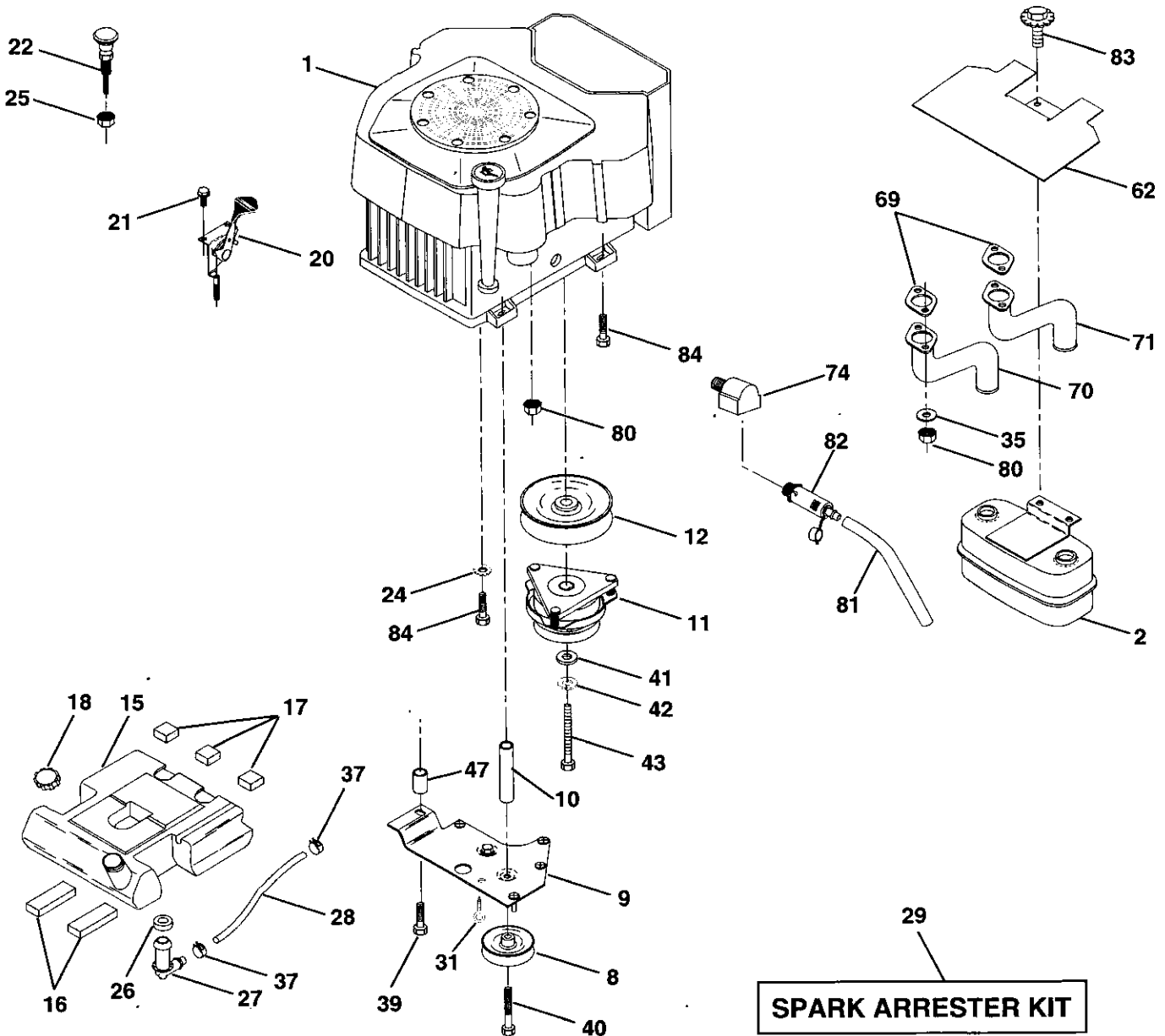
KEY NO.	PART NO.	DESCRIPTION
1	59192	Cap Valve Tire
2	65139	Stem Valve
3	106228X427	Rim Asm Front
4	8134H	Tube, Front (Service Item Only)
5	106230X	Tire, Front
6	278H	Fitting Grease (Front Wheel Only)
7	9040H	Bearing Flange (Front Wheel Only)
8	104757X428	Cap Axle (Front Wheel Only)
9	105588X	Tire Rear
10	7154J	Tube Rear (Service Item Only)
11	106277X427	Rim Asm Rear
12	6856M	Fitting Grease
--	144334	Sealant, Tire (10 oz. Tube)

NOTE: All component dimensions given in U.S. inches
1 inch = 25.4 mm

REPAIR PARTS

TRACTOR- -MODEL NO. 917.251160

ENGINE



REPAIR PARTS

TRACTOR- -MODEL NO. 917.251160

ENGINE

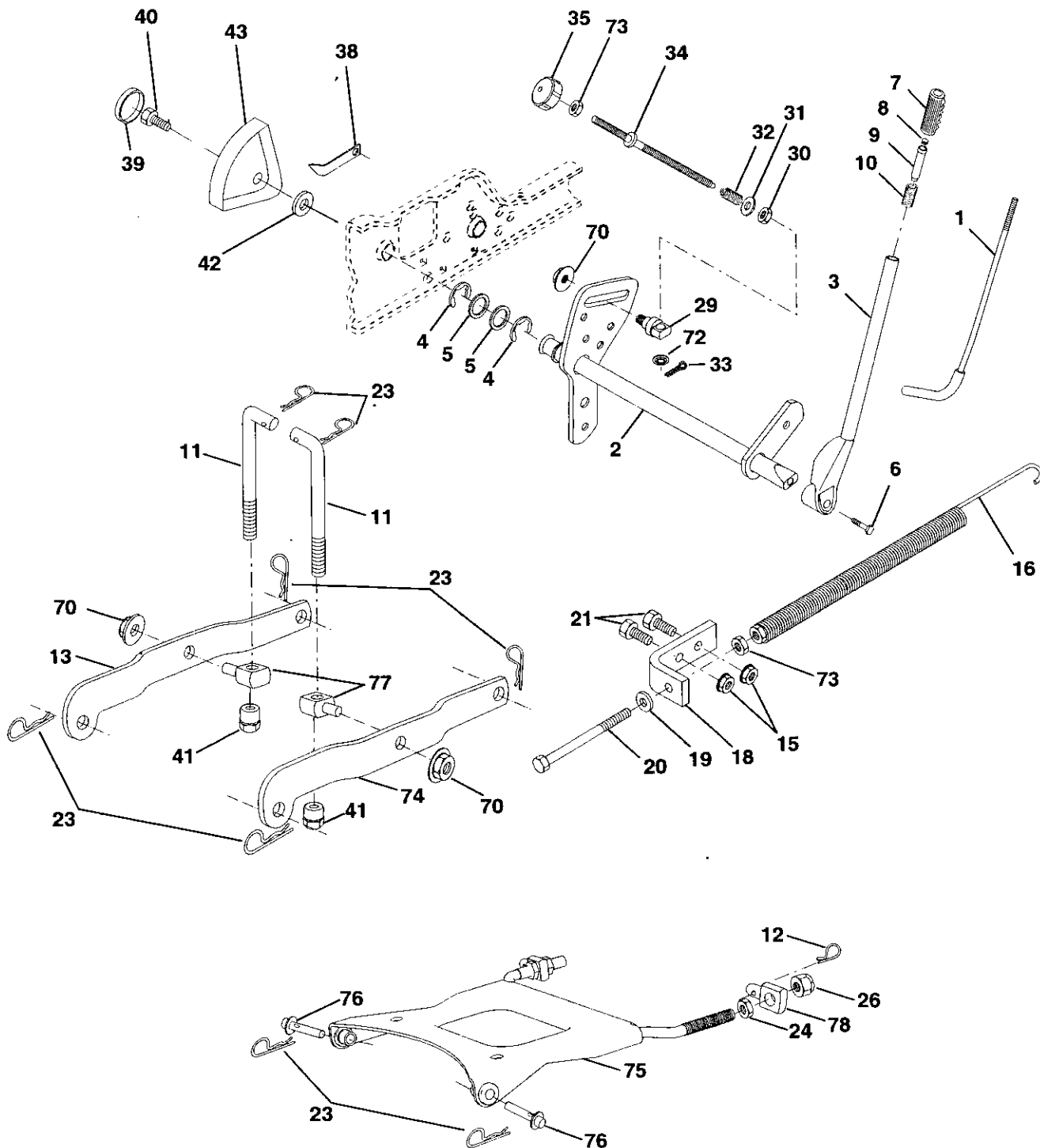
KEY NO.	PART NO.	DESCRIPTION
1	-----	Engine (See Breakdown) Kohler Model No. CV22-67555
2	149723	Muffler
8	121361X	Pulley V-Idler
9	177748	Keeper Asm. Belt Engine
10	175288	Bushing
11	174605	Clutch Electric
12	143996	Pulley Engine VGT Elect Clutch
15	151346	Tank Fuel Rear 3.50 Yt/Gt 96
16	109227X	Pad Spacer
17	106082X	Pad Spacer
18	161493	Cap Asm Fuel W/Gauge
20	177328X428	Control Throttle
21	164863	Screw hwhd Hi-Lo #13-16x3/4
22	175441X428	Control Choke
24	STD551237	Washer Ext Tooth 3/8
25	73920600	Nut Keps 3/8 - 24 UNF
26	3645J	Bushing
27	139277	Stem Tank Fuel
28	7834R	Fuel Line
29	137180	Spark Arrester Kit
35	10010500	Washer Split
37	123487X	Clamp Hose
39	17490636	Screw TT 3/8-16 x 2-1/4 UNC
40	17490664	Screw TT 3/8-16 x 4 UNC
41	126197X	Washer 1-1/2 OD x 15/32 ID x .250
42	STD551143	Washer Lock 7/16
43	173937	Bolt Hex 7/16-20 x 4 x Gr. 5-1.5
47	175287	Spacer Engine
62	146629	Shield Heat Muffler
69	24-041-02	Gasket
70	175545	Tube Exhaust LH
71	175546	Tube Exhaust RH
74	162295	Elbow Street Brass
80	M73030800	Nut Flange M8-1.25
81	148456	Tube Drain Oil Easy
82	148315	Plug Drain Oil Easy
83	171877	Bolt 5/16-18 Unc x 3/4
84	17060624	Screw Thdrol 3/8-16 x 1-1/2

NOTE: All component dimensions given in U.S.
inches 1 inch = 25.4 mm

REPAIR PARTS

TRACTOR- -MODEL NO. 917.251160

MOWER LIFT



REPAIR PARTS

TRACTOR- -MODEL NO. 917.251160

MOWER LIFT

KEY NO.	PART NO.	DESCRIPTION
1	121006X	Rod Asm., Lever
2	177535	Shaft Asm., Lift Vgt
3	159189	Lever Asm., Lift Rh
4	12000022	E-Ring Truarc #5133-87
5	19292016	Washer 29/32 x 1-1/4 x 16 Ga.
6	71110624	Bolt, Fin Hex 3/8-16 x 1-1/2
7	175830	Grip, Handle Fluted
8	175831	Button, Plunger
9	122364X	Plunger, Button
10	2876H	Spring 2-1/8"
11	175375	Link Lift
12	163552	Retainer, Spring
13	175378	Arm Suspension Rear LH
15	STD541437	Nut, Crownlock 3/8-16 Unc
16	674A247	Spring Asm., Assist Lift
17	STD541237	Nut, Hex Jam 3/8-16 Unc
18	143363	Bracket, Spring Assist
19	STD551037	Washer 13/32 x 13/16 x 16 Ga.
20	5328J	Bolt, Adjust Spring Assist
21	STD523710	Bolt, Fin Hex 3/8-16 x 1
23	STD624008	Retainer, Spring
24	73350800	Nut, Jam Hex 1/2-13 Unc
26	73680800	Nut Crownlock 1/2-13 Unc
29	150233	Trunnion, Infin Height
30	110807X	Nut, Special
31	STD551037	Washer 13/32 x 5/8 x 16 Ga.
32	137150	Spring, Compression Inf Hgt
33	STD560907	Pin, Cotter 3/32 x 1/2
34	137167	Rod, Adj Lift
35	138057	Knob, Inf 3/8-16 Unc
38	155097	Pointer, Height Indicator
39	123935X	Plug, Hole
40	17060516	Screw 5/16-18 x 1
41	175994	Nut, Lift Link 7/16-20
42	19112410	Washer 11/32 x 1-1/2 x 10 Ga.
43	123934X	Scale, Indicator Height
70	145212	Nut Hex Flange Lock
72	110452X	Nut Push Phos & Oil
73	73350600	Nut Hex Jam 3/8-16 Unc
74	175802	Arm Suspension Rear RH
75	175805	Plate Asm Susp. Front VGT 48"
76	175560	Pin Flange
77	176205	Trunnion Susp Arm
78	175689	Trunnion Front Susp.

NOTE: All component dimensions given in U.S. inches
1 inch = 25.4 mm

