

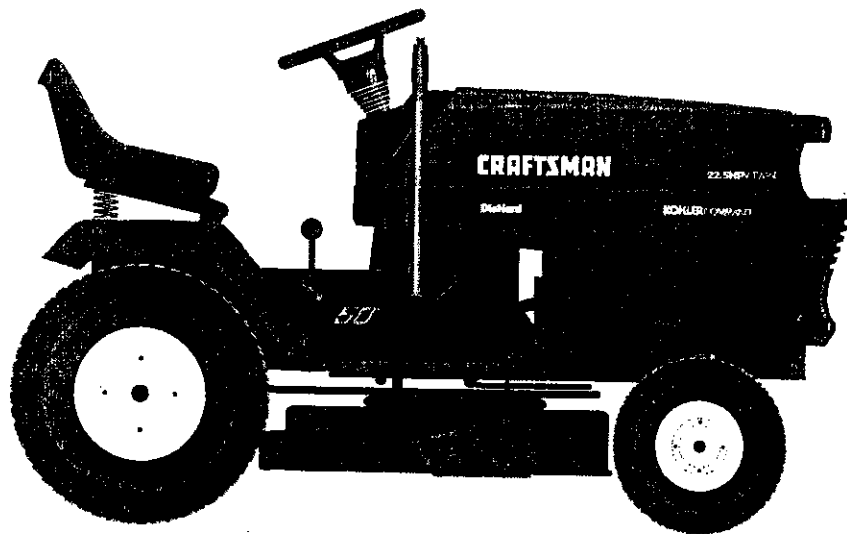
SEARS

CRAFTSMAN®

MODEL NUMBER 917.250551 OWNER'S MANUAL

- **Assembly**
- **Operation**
- **Customer Responsibilities**
- **Service and Adjustments**
- **Repair Parts**

22.5 HK

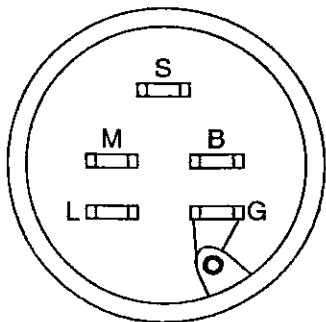
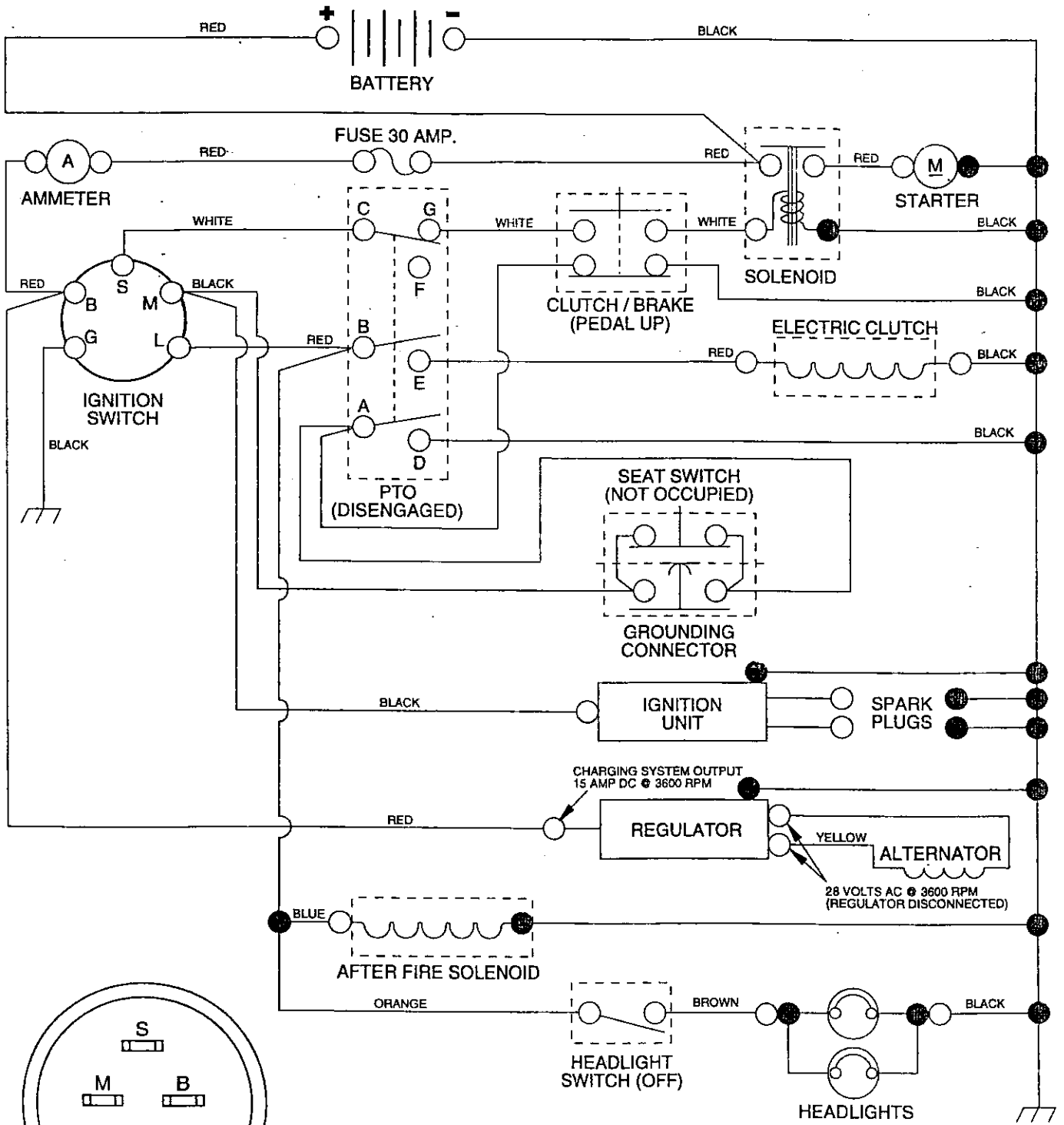


CAUTION: Read and follow all safety rules and instructions before operating this equipment.

Sears, Roebuck and Co., Hoffman Estates, IL 60179 U.S.A.

TRACTOR -- MODEL NUMBER 917.250551

SCHEMATIC



IGNITION SWITCH

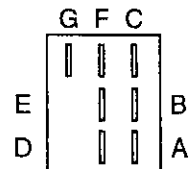
POSITION	CIRCUIT
OFF	M + G
ON	B + L
START	B + S + L

NON-REMOVABLE CONNECTIONS

REMOVABLE CONNECTIONS

WIRING INSULATED CLIPS

NOTE: IF WIRING INSULATED CLIPS WERE REMOVED FOR SERVICING OF UNIT, THEY SHOULD BE REPLACED TO PROPERLY SECURE YOUR WIRING



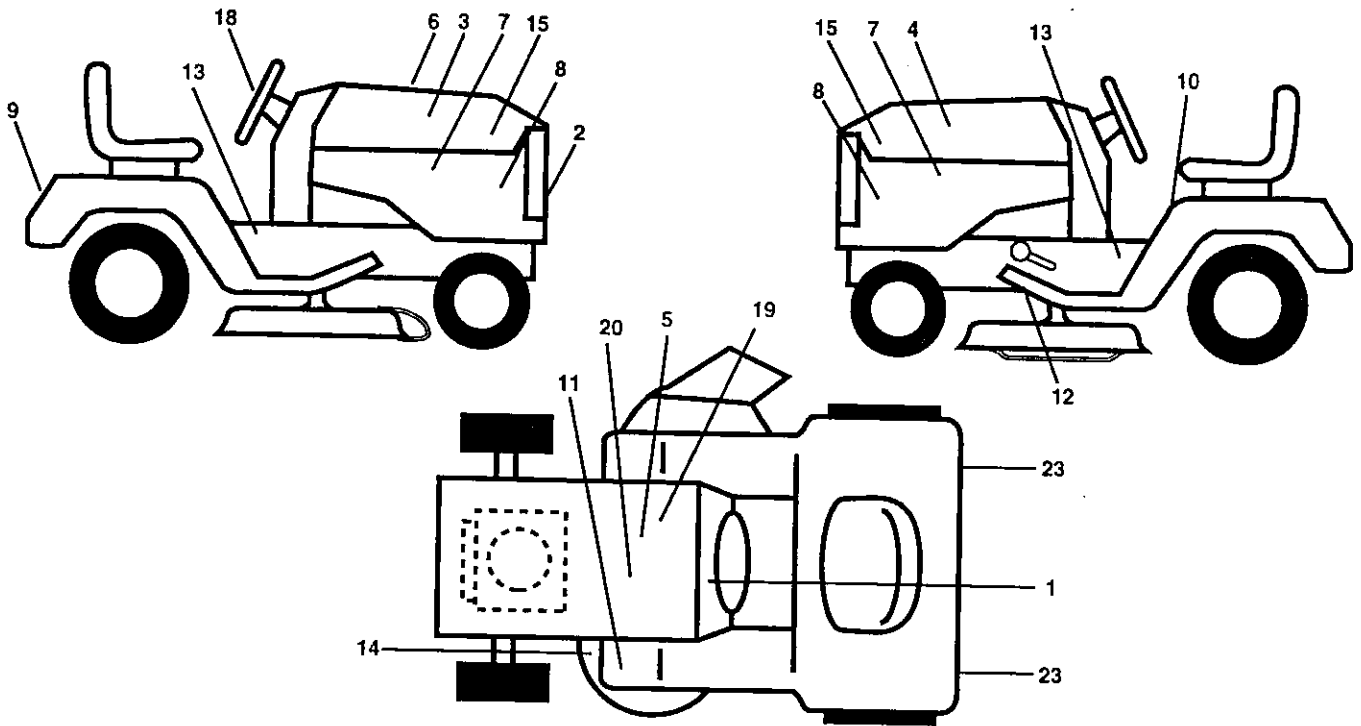
PTO SWITCH

POSITION	CIRCUIT
OFF	C + G
ON	C + F, B + E, A + D

REPAIR PARTS

TRACTOR - - MODEL NUMBER 917.250551

DECALS



KEY PART NO. NO.

DESCRIPTION

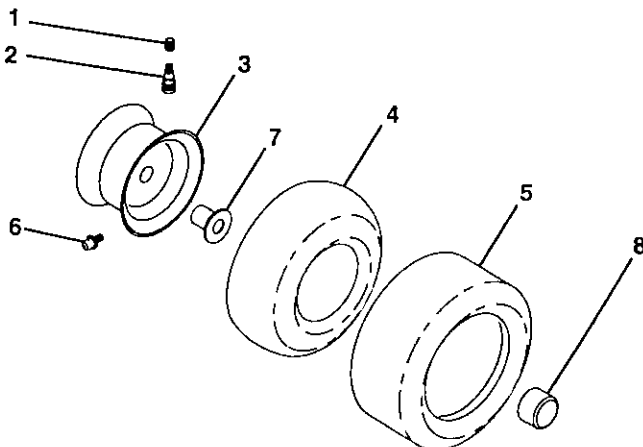
1	138955	Decal, Operating Instruction
2	146708	Decal, Grill
3	146705	Decal, Hood, Craftsman, RH
4	146706	Decal, Hood, Craftsman, LH
5	145003	Decal, Battery DNGR/PSN SRS ENG
6	133644	Decal, Maintenance
7	138048	Decal, Side Panel
8	142241	Decal, Side Panel
9	146709	Decal, Fender, Craftsman
10	137537	Decal, Caution
11	4900J	Decal, Clutch/Brake
12	146047	Decal, V-Belt Drive Schematic

KEY PART NO. NO.

DESCRIPTION

13	148957	Decal, Chassis, 6 Speed/50"
14	139346	Decal, V-Belt Schematic
15	148896	Decal Hood Insert
18	146710	Decal, Insert Strg
19	138047	Decal, Battery
20	146833	Decal, Battery Wet Front
23	106202X	Reflector, Taillight
--	138311	Decal, Handle Lft Height Adjust (Lift Handle)
--	145245	Pad, Footrest
--	145247	Fastener, Pop-In Footrest
--	148894	Manual, Owner's (Eng)
--	148895	Manual, Owner's (Span)

WHEELS & TIRES



KEY PART NO. NO.

DESCRIPTION

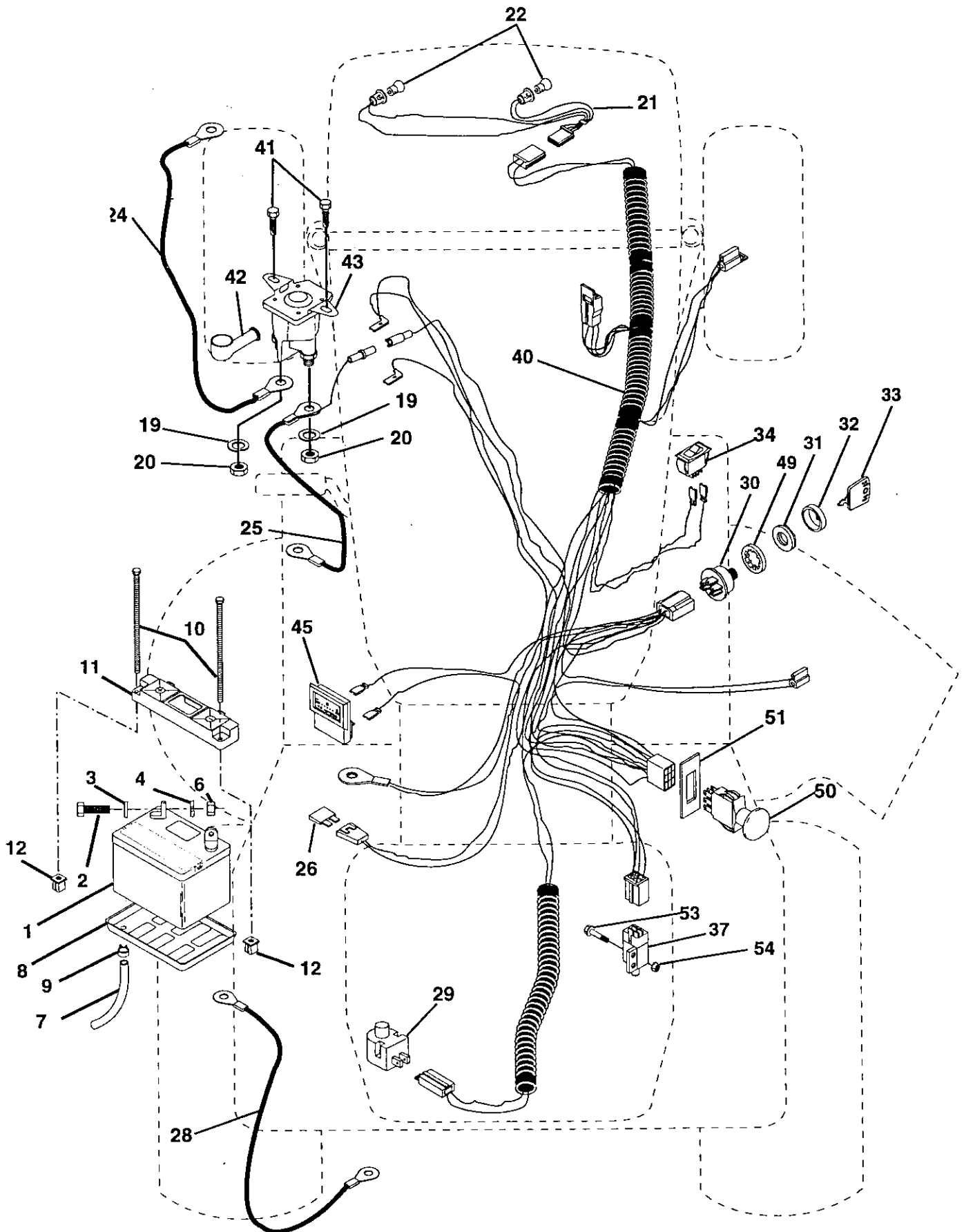
1	59192	Cap, Valve, Tire
2	65139	Stem, Valve
3	148736X427	Rim Assembly, Front
	148738X427	Rim Assembly, Rear
4	8134H	Tube, Front (Service Item Only)
	7154J	Tube, Rear (Service Item Only)
5	148741	Tire, Front
	148739	Tire, Rear
6	278H	Fitting, Grease (Front Wheel Only)
	6856M	Fitting, Grease
7	9040H	Bearing, Flange (Front Wheel Only)
8	104757X	Cap, Axle (Front Wheel Only)
--	144334	Sealant, Tire (10 oz. Tube)

NOTE: All component dimensions given in U.S. inches
1 inch = 25.4 mm

REPAIR PARTS

TRACTOR -- MODEL NUMBER 917.250551

ELECTRICAL



REPAIR PARTS

TRACTOR - - MODEL NUMBER 917.250551

ELECTRICAL

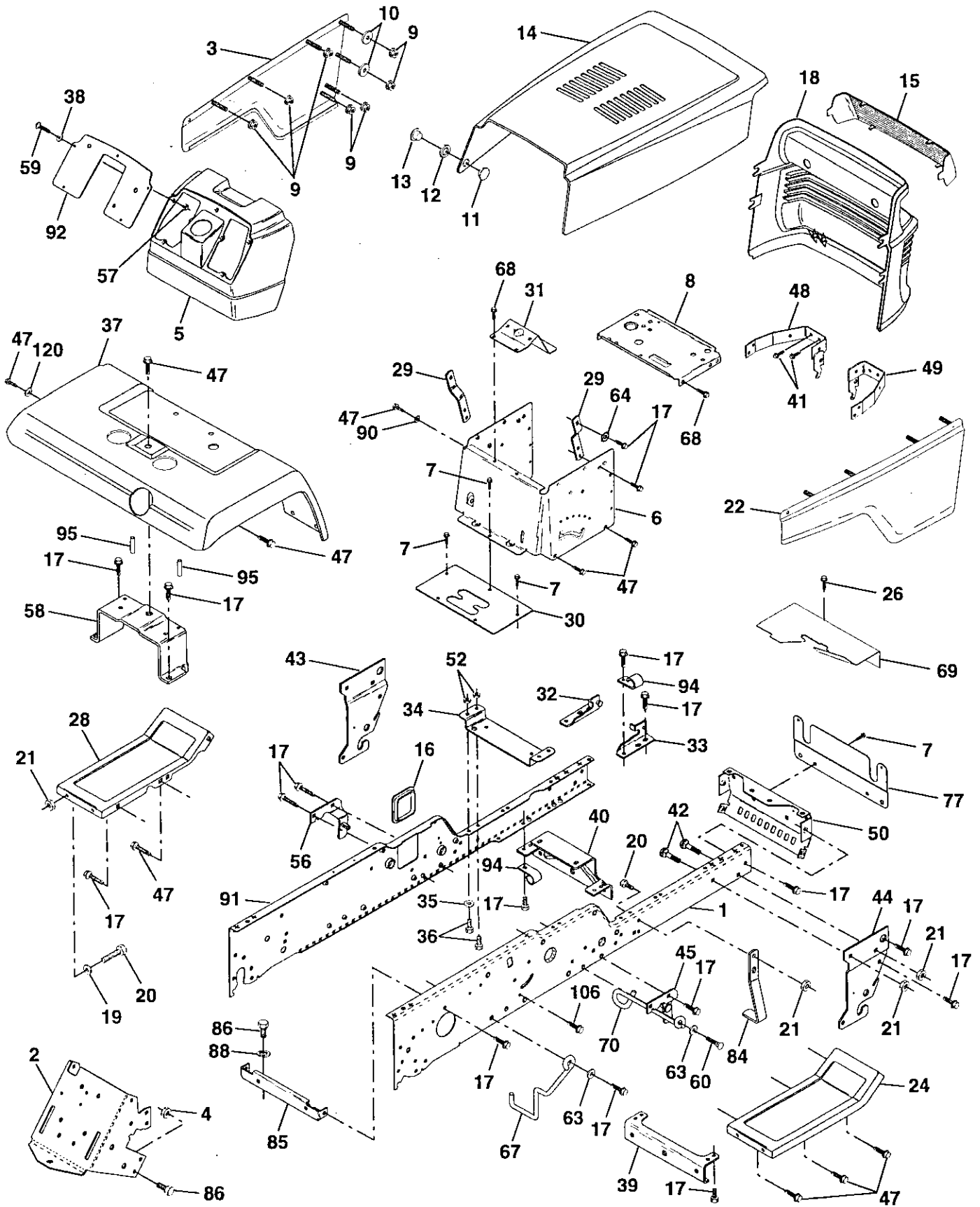
KEY NO.	PART NO.	DESCRIPTION
1	144927	Battery
2	74760412	Bolt, Hex 1/4-20 x 3/4
3	STD551025	Washer 9/32 x 5/8 x 16 Ga.
4	STD551125	Washer, Lock 1/4
6	STD541025	Nut, Hex 1/4-20
7	7697J	Tube, Drain
8	7603J	Tray, Battery
9	109596X	Clamp, Hose
10	145211	Bolt, Btr. Frt. 1/4-20 x 7-1/2
11	145209	Holddown Battery Dash Mount
12	145769	Nut, Push Nylon 1/4 Battery Front
19	STD551125	Washer, Lock 1/4
20	73350400	Nut, Hex Jam 1/4-20
21	136850	Harness, Light Socket W/4152J
22	4152J	Bulb, Headlight
24	4014J	Cable, Battery
25	146686	Cable Battery
26	108824X	Fuse
28	6408R	Cable, Ground
29	121305X	Switch, Plunger
30	144921	Switch, Ignition
31	140400	Nut, Ignition
32	141226	Cover, Switch Key
33	140403	Key, Ignition
34	110712X	Switch, Light
37	109553X	Switch Intik CL MWR Gry 4 Term
40	146071	Harness, Ignition
41	17720408	Screw, Hex Washer Head, Thread Cutting 1/4-20 x 1/2
42	131563	Cover, Terminal
43	145673	Solenoid
45	122822X	Ammeter
49	11151000	Washer-Lock Internal Tooth 5/8
50	146283	Switch, P.T.O.
51	140405	Ring Retainer PTO
53	71031008	Screw, Hex Washer Head #10-32x1/2
54	73951000	Nut, Keps #10-32

NOTE: All component dimensions given in U.S. inches
1 inch = 25.4 mm

REPAIR PARTS

TRACTOR - - MODEL NUMBER 917.250551

CHASSIS AND ENCLOSURES



REPAIR PARTS

TRACTOR - - MODEL NUMBER 917.250551

CHASSIS AND ENCLOSURES

KEY NO.	PART NO.	DESCRIPTION	KEY NO.	PART NO.	DESCRIPTION
1	144737	Rail, Frame RH	41	17580408	Screw Tap Tite 1/4-20 x 1/2
2	140506	Drawbar, Gt	42	72140608	Bolt, Carriage 3/8-16 x 1
3	136671X558	Panel Asm., Side LH	43	136939	Bracket, Spnsn Front Lh
4	73800700	Nut, Lock Hex 7/16 Unc	44	136940	Bracket, Spnsn Front Rh
5	145203	Dash, Plastic Black	45	138460	Bracket Asm., Susp Chassis Rh
6	145053	Dash Asm., Lower	47	17490608	Screw Thdrol. 3/8-16 x 1/2
7	17720408	Screw, Thd Cut 1/4-20 x 1/2	48	142133	Bracket Asm., Pivot Hood Lh
8	145166	Support, Battery	49	142134	Bracket Asm., Pivot Hood Rh
9	108067X	Nut, Pal	50	136575	Bracket, Chassis Front
10	19092016	Washer 9/32 x 1-1/4 x 16 Ga.	52	73680500	Nut, Crownlock 5/16-18 Unc
11	137270	Rivet, Ratchet Male	56	138461	Bracket Asm., Susp Chassis Lh
12	137269	Washer, Nylon	57	73640400	Nut, Keps, Bik Hex 1/4-20 UNC
13	137271	Rivet, Ratchet Female	58	137113	Bracket Asm., Fender
14	136673X558	Hood Asm., Pnt	59	74180412	Screw, Mach Cr 1/4-20 x 3/4
15	136374	Lens, Bar Clear	60	17490620	Screw Thdrol. 3/8-16 x 1-1/4
16	121794X	Cover, Access	63	19131614	Washer 13/32 x 1 x 14 Ga.
17	17490612	Screw, Thdrol 3/8-16 x 3/4	64	144283	Washer, Serrated Disc 13/32 x 1
18	136373X428	Grille	67	140737	Guide, Belt T/A
19	19131312	Washer 13/32 x 13/16 x 12 Ga.	68	17490508	Screw Thdrol. 5/16-18 x 1/2
20	74760616	Bolt, Fin Hex 3/8-16 x 1	69	137308	Shield Front VGT
21	73680600	Nut Crownlock 3/8-16 Unc	70	137159	Guide, Belt Mid Span
22	136670X558	Panel Asm., Side RH	77	137308	Shield, Front
24	145243X558	Footrest, RH	84	142992	Stop, Over Center Mower
26	17720408	Screw, Thd. Cut 1/4-20 x 1/2	85	144911	Bracket, Support Transaxle
28	145244X558	Footrest, LH	86	74760716	Bolt, Fin Hex 7/16-14 Unc x 1
29	145349	Bracket, Support Dash	88	10040700	Washer, Lock Hvy Hlcl Spr 7/16
30	145051X014	Saddle, Sikscr Vgt	90	11050600	Washer, Lock External Tooth 3/8
31	145183	Brace, Support Steering	91	144735	Rail, Frame Lh
32	141315	Bracket Asm., Frame Pivot Lh	92	143485X013	Plate, Silkscreen Dash
33	141314	Bracket Asm., Frame Pivot Rh	94	100207K	Clip, Fuel Line
34	142131	Bracket, Engine Support Rear	95	105531X	Push Nut, Nylon
35	19111116	Washer 11/32 x 11/16 x 16 Ga.	106	138776	Screw, Thdrol Hex Head Zinc Mwr
36	74780512	Bolt, Fin Hex 5/16-18 x 3/4	120	19131616	Washer 13/32 x 1 x 16 Ga.
37	121642X558	Fender, Pnt.	--	8022J	Plug, Hole
38	19091216	Washer 9/32 x 3/4 x 16 Ga.			
39	136961	Bracket, Axle Front			
40	142132	Bracket, Support Axle/Engine			

NOTE: All component dimensions given in U.S. inches
1 inch = 25.4 mm

REPAIR PARTS

TRACTOR - - MODEL NUMBER 917.250551

GROUND DRIVE

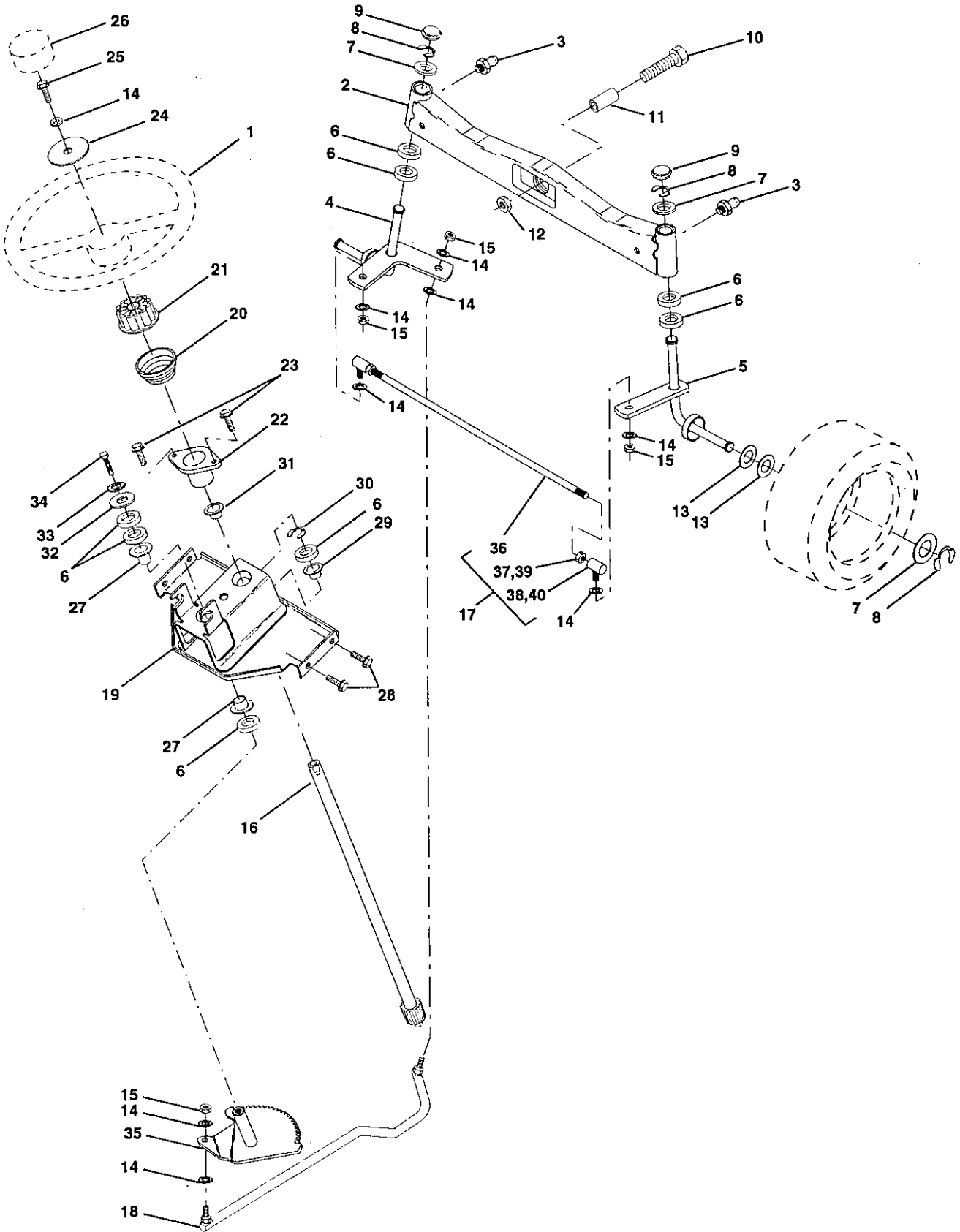
KEY NO.	PART NO.	DESCRIPTION	KEY NO.	PART NO.	DESCRIPTION
1	9858M1	Key, Woodruff	38	110895X	Nyliner
3	7563R	Washer, Thrust, Axle	39	74321016	Screw, Fin. #10-24 x 1
4	17490508	Screw Thdrol 5/16-18 x 3/4	40	5304J	Actuator, Interlock Switch
5	73680600	Nut, Crownlock 3/8-16	41	73631000	Locknut #10-24
6	76020412	Pin, Cotter	42	8883R	Cover, Pedal
7	135758	Wheel, Hub Assembly	43	74760412	Bolt, Hex 1/4-20 x 3/4
8	12000034	Klip, Ring	44	104601X	Bracket, Interlock
9	140080	Bolt, Hub	45	73800400	Locknut w/Insert 1/4-20
10	142509	Disc, Brake	46	145170	Retainer, Spring
11	136927	Yoke, Brake Disc	47	138228	Clutch Rod
12	9204H	Locknut 1/2-20	48	72110614	Bolt, Carriage 3/8-16 x 1-3/4 Gr. 5
13	139419	Washer, Special	49	19131413	Washer 13/32 x 7/8 x 13 Ga.
14	138901	Bushing	50	131494	Pulley, Idler, Flat
15	19131316	Wahser 13/32 x 13/16 x 16 Ga.	51	73680600	Nut, Crownlock 3/8-16 UNC
16	143012	Set, Screw 1/4-28 x 3/4	52	139123	Pulley, Idler, Grooved
17	126909X	Spring	53	207J	Washer, Hardened
18	137104	Lever, Brake	54	138390	Clutch, Arm Assembly
19	136926	Cam, Brake Disc	55	105706X	Bearing, Idler
21	23260412	Screw, Flat Head 1/4-28 x 3/4	56	137153	V-Belt
22	633A109	Gearshift, Lever Assembly	57	141756	Bracket, Shift Rod, Hi-Lo
23	106932X	Knob	59	122253X	Shift Rod, Hi-Lo
24	136925	Support, Puck Brake	60	122268X	Spring Clip, Connecting Link
25	136923	Puck, Brake Top	61	137524	Pulley, Transaxle
26	137552	Spring, Return	62	10040700	Washer, Lock 7/16
27	17490528	Screw, Hex Wsh Thd. 5/16-18 x 1-3/4	63	74760720	Bolt, Fin Hex 7/16-14 x 1-1/4
28	73350600	Nut, Hex Jam 3/8-16	64	137649	Shaft, Clutch/Brake Pedal
29	137213	Brake, Rod	65	67609	Bolt, Shoulder
30	19131614	Washer 13/32 x 1 x 14 Ga.	66	140296	Washer, Hardened
34	124236X	Cap, Plunger	67	19131312	Washer, Flat
35	137648	Rod, Parking Brake	68	5142H	Pin, Roll
36	138364	Spring, Extension	69	136327	Hub, Cover
37	121749X	Washer 25/32 x 1-1/4 x 16 Ga.			

NOTE: All component dimensions given in U.S. inches
1 inch = 25.4 mm

REPAIR PARTS

TRACTOR -- MODEL NUMBER 917.250551

STEERING ASSEMBLY



REPAIR PARTS

TRACTOR - - MODEL NUMBER 917.250551

STEERING ASSEMBLY

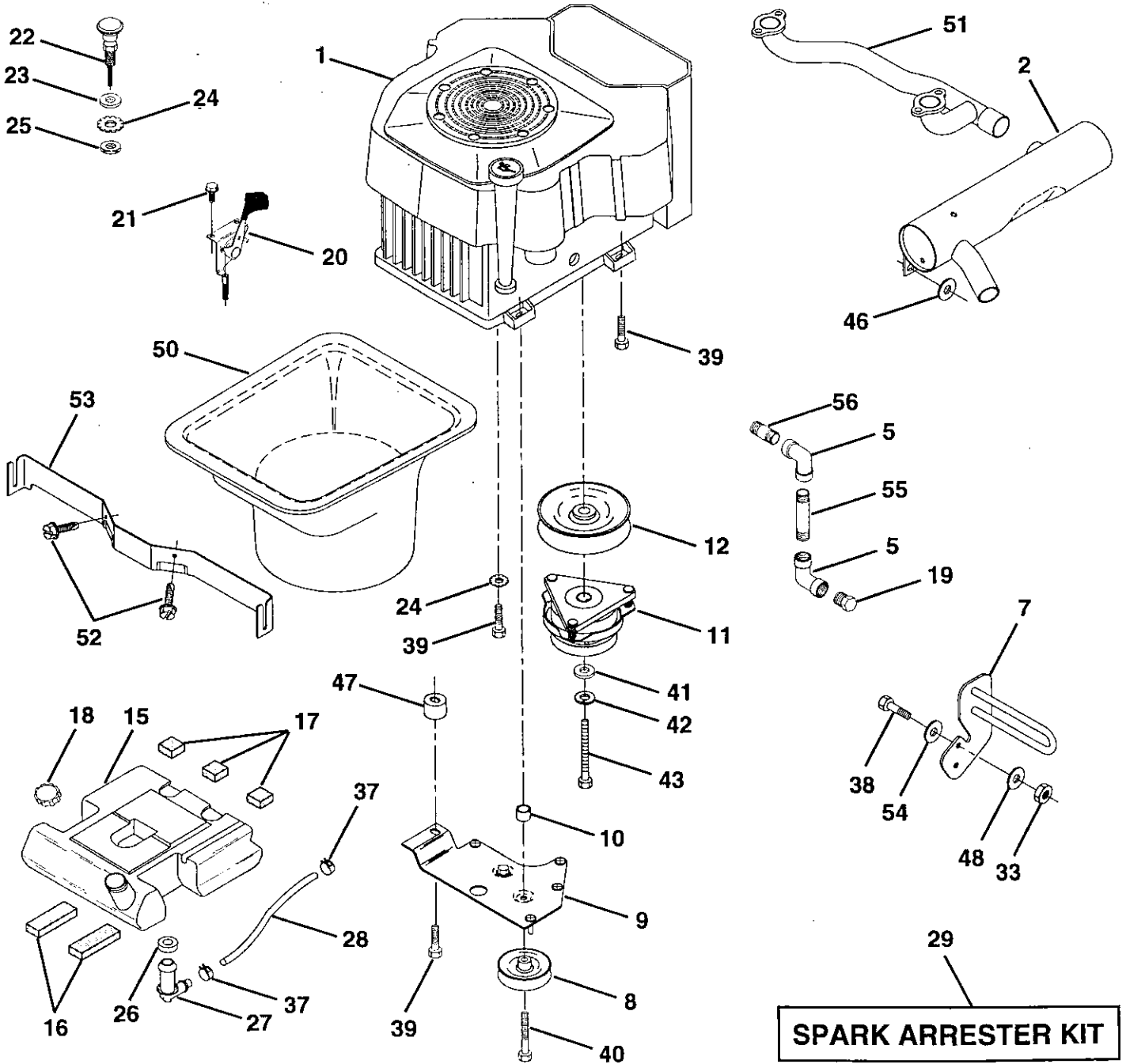
KEY NO.	PART NO.	DESCRIPTION
1	121472X	Wheel, Steering
2	137094	Axle Asm., Front
3	6855M	Fitting, Grease
4	136960	Spindle Asm, LH
5	136959	Spindle Asm., RH
6	6266H	Bearing, Race Thrust Harden
7	121748X	Washer 25/32 x 1-5/8 x 16 Ga.
8	12000029	Ring, Klip #T5304-75
9	121232X	Cap, Spindle
10	74781044	Bolt, Fin Hex 5/8-11 x 2-3/4
11	136518	Spacer, Brg. Axle Front
12	73901000	Nut, Lock Flange 5/8-11 Unc
13	121749X	Washer 25/32 x 1-1/4 x 16 Ga.
14	10040600	Washer, Lock Hvy Hlcl Spr 3/8
15	73610600	Nut, Fin Hex 3/8-24 Unf
16	145103	Shaft Asm., Steering
17	137347	Rod Asm., Tie Ball J Ball Vgt (Inc. Key No. 36-40)
18	137155	Draglink, Ball Joint Solid Vgt
19	146611	Support Asm., Steering Vgt
20	145182	Column, Steering
21	100711L	Adapter, Wheel Steering
22	1554J	Bushing, Strg. Blk
23	17431008	Screw, Slftp #10-16 x 1/2, Ty-b
24	19133808	Washer 13/32 x 2-3/8 x 8 Ga.
25	74780616	Bolt, Fin Hex 3/8-16 x 1 Gr. 5
26	126805X	Cap, Wheel Steering
27	3366R	Bearing, Col. Strg.
28	17490612	Screw, Thrdrol 3/8-16 x 3/4
29	104239X	Bearing, Flange
30	12000034	Ring, Klip Truarc #5304-75
31	138136	Bushing, Nyliner Snap
32	19111610	Washer 11/32 x 1 x 10 Ga.
33	10040500	Washer, Lock Hvy Hlcl Spr 5/16
34	74760512	Bolt, Hex Hd 5/16-18 x 3/4
35	138059	Gear, Sector Steering
36	137156	Tie Rod
37	73360600	Jam Nut RH Thread
38	109850X	Joint Asm. Ball RH Thread
39	73700600	Jam Nut LH Thread
40	109851X	Joint Asm. Ball LH Thread

NOTE: All component dimensions given in U.S. inches
1 inch = 25.4 mm

REPAIR PARTS

TRACTOR -- MODEL NUMBER 917.250551

ENGINE



REPAIR PARTS

TRACTOR - - MODEL NUMBER 917.250551

ENGINE

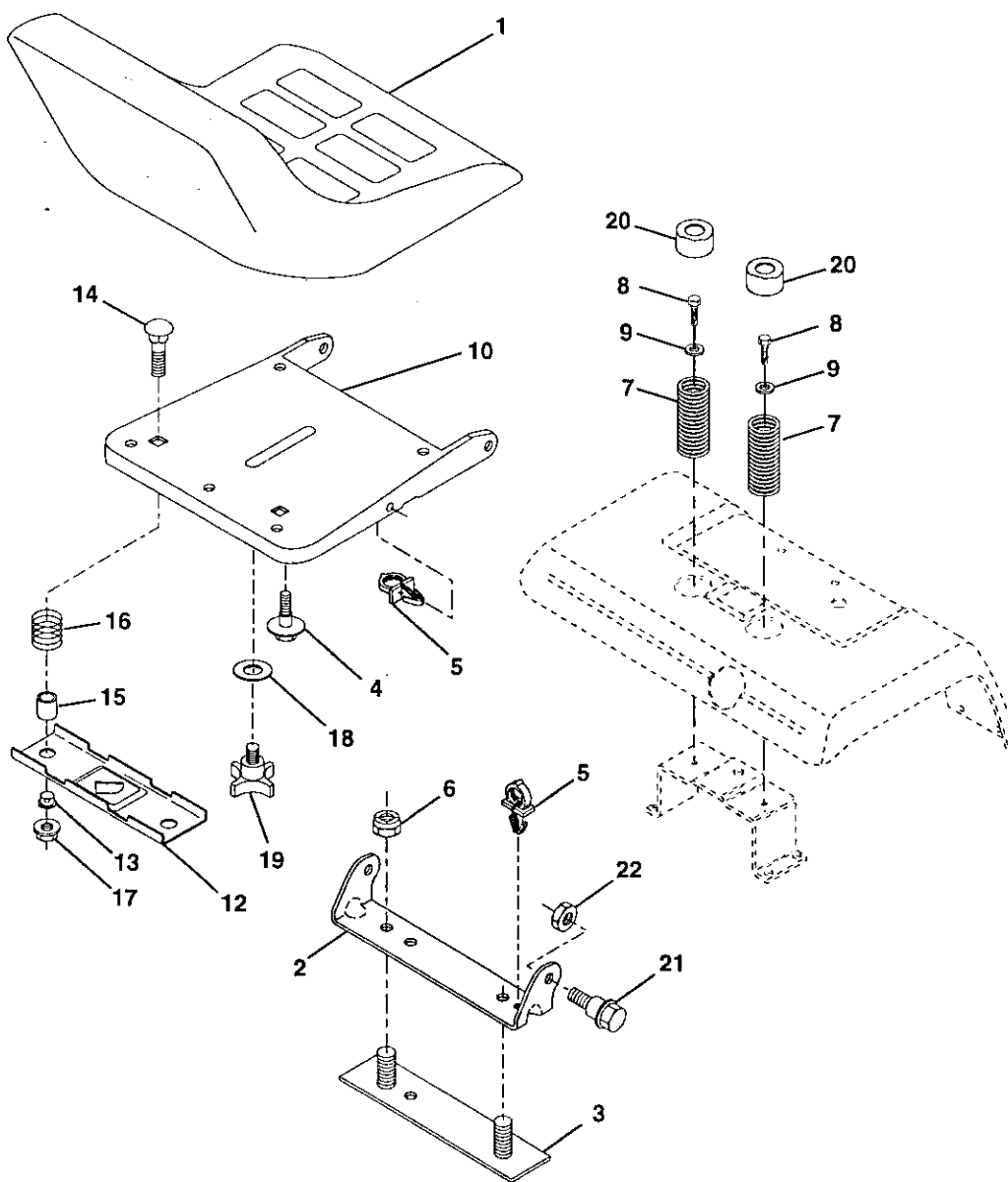
KEY NO.	PART NO.	DESCRIPTION
1	140847	Engine Kohler 22 CV22 S-67515
2	144636	Muffler Asm
5	13200300	Elbow STD 90 Degree 3/8 - 18 NPT
7	143599	Muffler Asm Guard
8	121361X	Pulley V-Idler
9	145109	Stop Keeper Asm VGT
10	105432X	Bushing
11	140923	Clutch Electric
12	143996	Pulley Engine VGT Elect Clutch
15	141069	Tank Fuel W/Sym Vented
16	109227X	Pad Spacer
17	106082X	Pad Spacer
18	123549X	Cap Asm Fuel W/Sym Vented
19	13290300	Plug Oil Drain (Order From Engine Manufacturer)
20	132755	Control Throttle
21	17720410	Screw Hex Thd Cut 1/4 - 20 X 5/8
22	132779	Control Choke
23	19132616	Washer 13/32 X 1 - 5/8 X 16 Ga
24	11050600	Washer Ext Tooth 3/8
25	73610600	Nut Fin Hex 3/8 - 24 UNF
26	3645J	Bushing
27	139277	Stem Tank Fuel
28	7834R	Fuel Line
29	132920	Spark Arrester Kit
33	73800600	Nut Lock Hex w/Ins. 3/8 - 16
37	123487X	Clamp Hose
38	74780624	Bolt Fin Hex 3/8 - 16 x 1-1/2
39	17490636	Screw TT 3/8-16 x 2-1/4 UNC
40	17490664	Screw TT 3/8-16 x 4 UNC
41	126197X	Washer 1-1/2 OD X 15/32 ID X .250
42	10040700	Washer Lock 7/16
43	71170768	Bolt Hex 7/16 - 20 X 4 - 1/4 Ga 5
46	19131616	Washer 13/32 x 1 x 16 Ga.
47	142040	Spacer Engine
48	19132007	Washer 13/32 x 1-1/4 x 7 Ga.
50	143020	Duct Air
51	140787	Pipe Crossover
52	17580408	Screw Tap 1/4 - 20 x 1/2
53	143528	Bracket Duct Air Rear Sup
54	19131414	Washer Flat 13/32 x 7/8 x 14 Ga.
55	13090336	Nipple Pipe 3/8NPT X 4-1/2
56	13090308	Nipple Pipe 3/8 x 1
81	73510400	Nut Keps Hex 1/4-20 Unc

NOTE: All component dimensions given in U.S. inches
1 inch = 25.4 mm

REPAIR PARTS

TRACTOR - - MODEL NUMBER 917.250551

SEAT ASSEMBLY



KEY NO.	PART NO.	DESCRIPTION
1	140124	Seat
2	140551	Bracket, Pivot Seat
3	140675	Strap, Fender
4	127018X	Bolt, Shoulder 5/16-18 x .62
5	145006	Clip, Push In, Hinged
6	73680600	Nut, Crownlock 3/8-16 Unc
7	124181X	Spring, Seat Cprsn
8	17490508	Screw, Thdrol 5/16-18 X 1/2
9	19131614	Washer 13/32 X 1 X 14 Ga.
10	140552	Pan, Seat
12	121246X	Bracket, Mounting Switch
13	121248X	Bushing, Snap

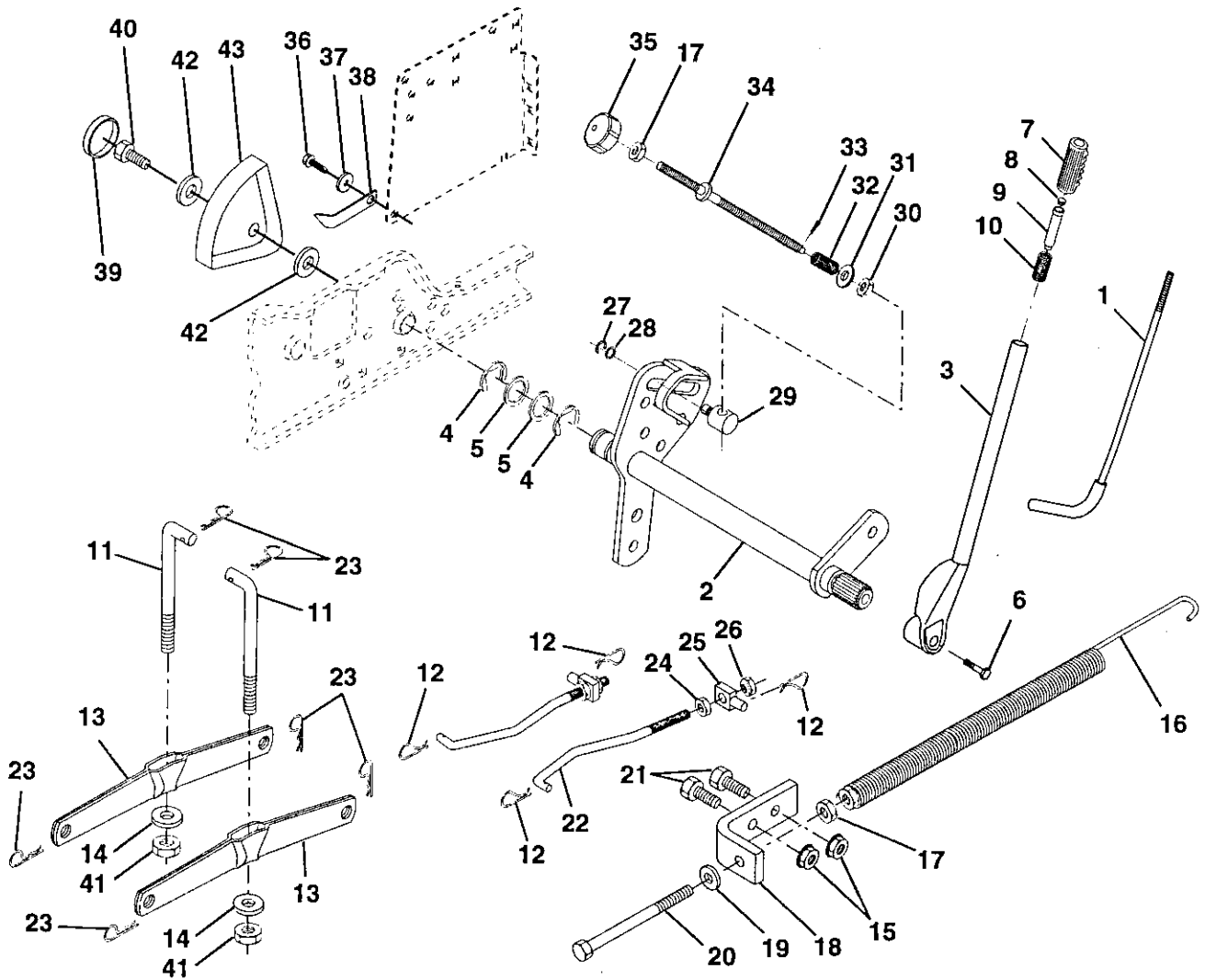
KEY NO.	PART NO.	DESCRIPTION
14	72050411	Bolt, Carriage 1/4-20 X 1-3/8
15	121249X	Spacer, Split
16	123740X	Spring, Cprsn
17	123976X	Nut, Lock 1/4 Lge Flg Gr. 5
18	19171912	Washer 17/32 x 1-3/16 x 12 Ga.
19	120068X	Knob, Seat 1/2-13 Unc
20	124238X	Cap, Spring Seat
21	139888	Bolt, Shoulder 5/16-18
22	73680500	Nut, Crownlock 5/16-18 Unc

NOTE: All component dimensions given in U.S. inches
1 inch = 25.4 mm

REPAIR PARTS

TRACTOR - MODEL NUMBER 917.250551

LIFT ASSEMBLY



KEY NO.	PART NO.	DESCRIPTION
1	121006X	Rod Asm., Lever
2	145542	Shaft Asm., Lift Vgt
3	121002X	Lever Asm., Lift Rh
4	12000022	E-Ring Truarc #5133-87
5	19292016	Washer 29/32 x 1-1/4 x 16 Ga.
6	74780624	Bolt, Fin Hex 3/8-16 x 1-1/2
7	125631X	Grip, Handle Fluted
8	122365X	Button, Plunger
9	122364X	Plunger, Lever Lift
10	2876H	Spring 2-1/8"
11	146704	Link Lift
12	3146R	Retainer, Spring
13	139868	Arm, Suspension Vgt
14	140302	Bearing
15	73680600	Nut, Crownlock 3/8-16 Unc
16	674A247	Spring Asm., Assist Lift
17	73350600	Nut, Hex Jam 3/8-16 Unc
18	143363	Bracket, Spring Assist
19	19131316	Washer 13/32 x 13/16 x 16 Ga.
20	5328J	Bolt, Adjust Spring Assist
21	74760616	Bolt, Fin Hex 3/8-16 x 1
22	127218	Link, Front
23	4939M	Retainer, Spring

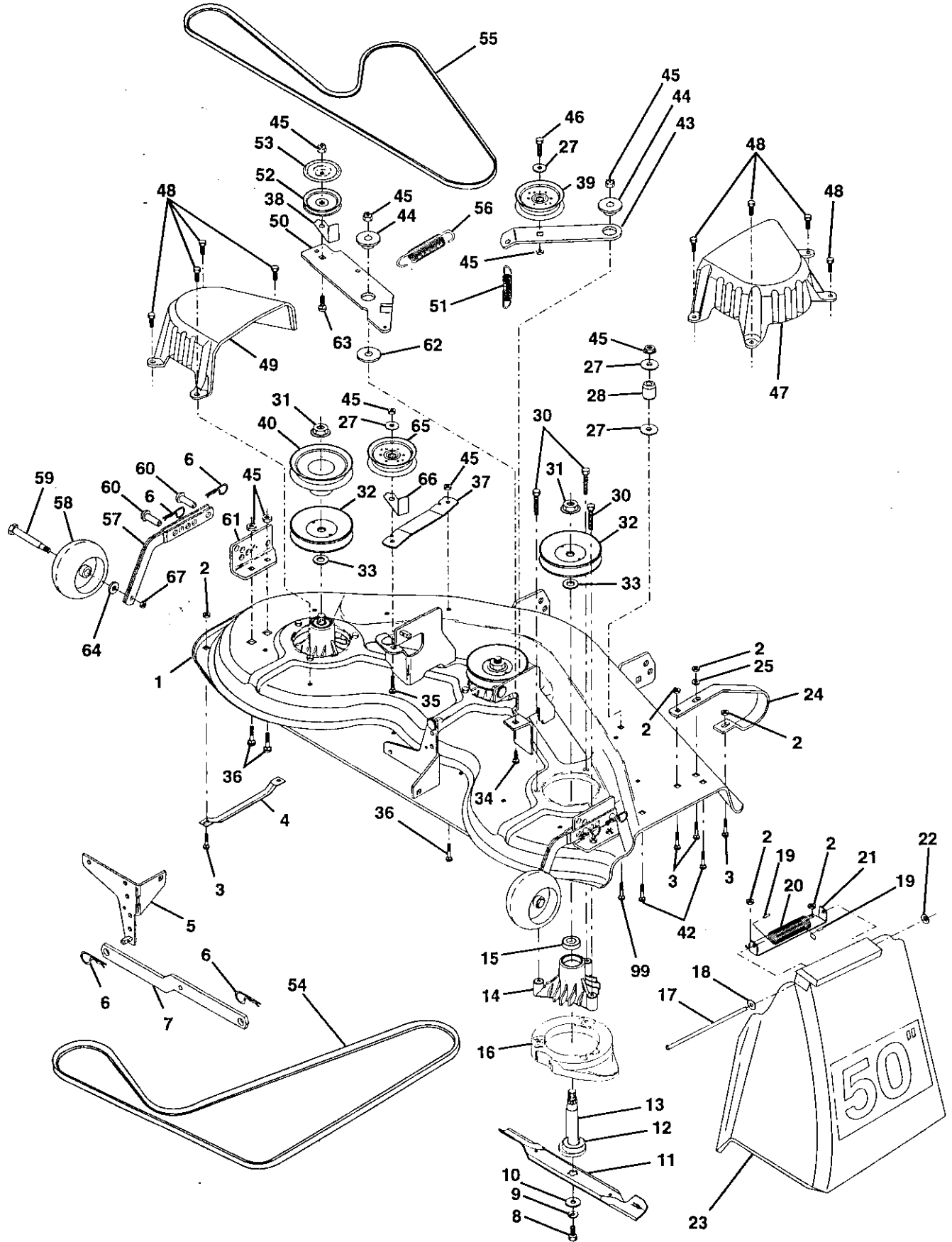
KEY NO.	PART NO.	DESCRIPTION
24	73350800	Nut, Jam Hex 1/2-13 Unc
25	130171	Trunnion
26	73800800	Nut, Lock W/Wsh 1/2-13 Unc
27	12000037	Ring, Klip #T5304-37
28	19151216	Washer 15/32 x 3/4 x 16 Ga.
29	110810X	Trunnion, Dp Stop Dbl Thds Plt
30	110807X	Nut, Special
31	19131016	Washer 13/32 x 5/8 x 16 Ga.
32	137150	Spring, Compression Inf Hgt
33	76020308	Pin, Cotter 3/32 x 1/2
34	137167	Rod, Adj Lift
35	138057	Knob, Inf 3/8-16 Unc
36	17490612	Screw, Thdrol 3/8-16 x 3/4
37	120529X	Washer, Nylon
38	123933X505	Pointer, Pnt Height Indicator
39	123935X	Plug, Hole
40	17490512	Screw Hex Wsh 5/16-18 x 3/4
41	73540600	Nut, Crownlock 3/8-24
42	19112410	Washer 11/32 x 1-1/2 x 10 Ga.
43	123934X	Scale, Indicator Height

NOTE: All component dimensions given in U.S. inches
1 inch = 25.4 mm

REPAIR PARTS

TRACTOR -- MODEL NUMBER 917.250551

MOWER DECK



REPAIR PARTS

TRACTOR - - MODEL NUMBER 917.250551

MOWER DECK

KEY NO.	PART NO.	DESCRIPTION	KEY NO.	PART NO.	DESCRIPTION
1	136457	Mower Housing	39	131494	Pulley, Idler Flat
2	73680500	Nut, Crownlock 5/16-18	40	136572	Pulley, Driven
3	72110506	Bolt, Carriage 5/16-18 x 3/4	42	72140506	Bolt, Carriage 5/16-18 Unc x 3/4
4	7631J	Runner, Mower LH	43	136460	Arm, Idler Secondary
5	138457	Bracket Asm., Sway Bar	44	122052X	Spacer, Retainer
6	4939M	Retainer, Spring	45	73680600	Nut, Crownlock 3/8-16 Unc
7	130832	Arm Suspension, Rear	46	74760628	Bolt, Fin Hex 3/8-16 Unc x 1-3/4
8	850857	Bolt 3/8-24 x 1.25 Gr. 8 Patched	47	137200	Cover, Mandrel RH
9	10030600	Washer, Lock Hvy 3/8 Unplated	48	137729	Screw, Thd Roll 1/4-20 x 5/8
10	140296	Washer, Hard Blade Mower Vented	49	136574	Cover, Mandrel LH
11	137380	Blade	50	137272	Arm, Idler Primary
12	129895	Bearing, Ball #6204 (Mandrel)	51	137273	Spring, Secondary
13	137553	Shaft Asm., W/Lower Brg (Includes Key No. 12)	52	139245	Pulley, Idler V Groove
14	137152	Housing, Mandrel	53	137789	Shield, Idler
15	110485X	Bearing, Ball Mandrel	54	139573	V-Belt, Mower Primary
16	140329	Stripper, Mower Vented	55	144959	V-Belt, Mower Secondary
17	106735X	Rod, Hinge	56	138687	Spring, Primary
18	19111016	Washer 11/32 x 5/8 x 16 Ga.	57	136577	Bar Asm., Wheel Gauge
19	105304X	Cap, Sleeve	58	133957	Wheel, Gauge
20	123713X	Spring, Torsion Deflector	59	137644	Bolt, Shoulder
21	137607	Bracket, Deflector	60	139031	Pin, Clevis
22	110452X	Nut, Push	61	136573	Bracket, Wheel Gauge
23	110509X	Shield, Deflector Mower	62	133943	Washer Hardened
24	136320	Runner, RH	63	72110612	Bolt Carriage 3/8-16 x 1-1/2
25	19111216	Washer 11/32 x 3/4 x 16 Ga.	64	19121414	Washer 3/8 x 3/4 x 14Ga
27	19131316	Washer 13/32 x 13/16 x 16 Ga.	65	102403X	Pulley Idler Flat
28	132823	Spacer, Spring Stop Idler	66	139622	Keeper Belt Idler
30	138776	Screw Thdrol Hex Hd	67	73930600	Nut, Centerlock 3/8-16
31	137266	Nut, Flg Top Lock Cntr 9/16	99	72110614	Bolt, Carriage 3/8-16 x 1-3/4 Gr. 5
32	129861	Pulley, Mandrel	--	143651	Mandrel Asm Service (Includes Key Nos. 8-10, 12-15, 31 and 33)
33	129963	Washer, Spacer Mower Vented	--	141051	Mower Asm. Service (Std. Deck-Order all gauge wheel components separately)
34	72140610	Bolt, Carriage 3/8-16 x 1-1/4			
35	72110616	Bolt, Carriage 3/8-16 x 2			
36	72110608	Bolt, Carriage 3/8-16 x 1 Gr. 5			
37	137166	Stiffener, Arm Idler			
38	137554	Keeper, Belt Idler			

NOTE: All component dimensions given in U.S. inches
1 inch = 25.4 mm