

REPAIR PARTS MANUAL
MODEL NO. 250431
Lawn Tractor

*14.5 OHV 42"
6. GEAR*

CRAFTSMAN®

HOW TO USE THIS MANUAL

This manual is designed to provide the customer with a means to identify the parts on his/her tractor when ordering repair parts. The illustrations may or may not represent the actual assemblies; therefore, it is not recommended to use this manual as a guide to assemble or disassemble the tractor. Some hardware and parts are drawn larger in order to more readily identify them.

Each tractor has its own model number.

The model number for your tractor can be found on the fender under the seat.

When ordering parts, always give the following information:

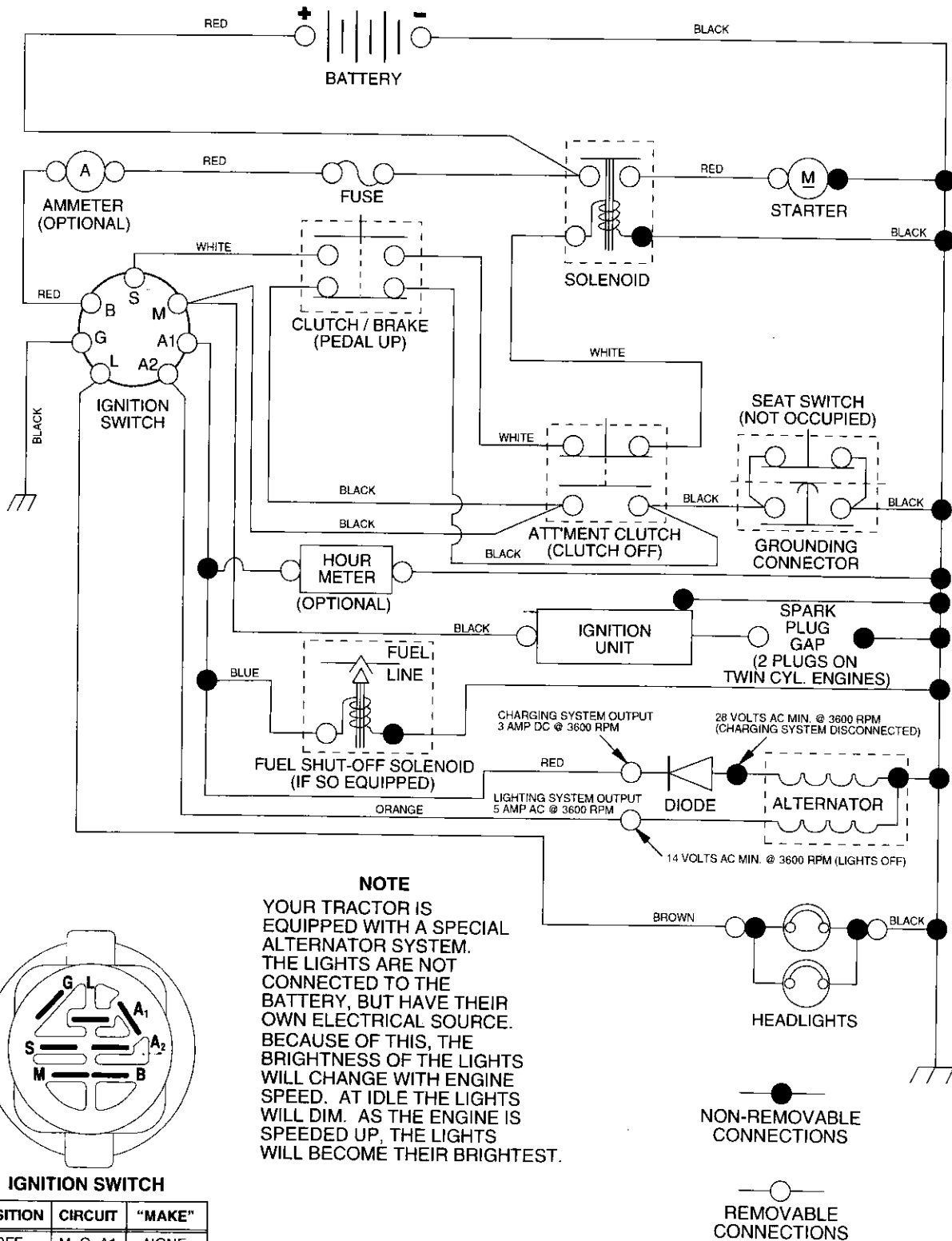
- Product - "Tractor"
- Model Number - "250431"
- Part Number
- Part Description

TABLE OF CONTENTS

SCHEMATIC	3
ELECTRICAL	4-5
CHASSIS	6-7
DRIVE	8-9
STEERING	10-11
SEAT	12
DECALS	13
ENGINE	14-15
MOWER LIFT	16-17
MOWER DECK	18-19
TRANSAXLE	20-21
ENGINE BREAKDOWN	22-27
WARRANTY	28

TRACTOR- -MODEL NO. 917. 250431

SCHEMATIC



REPAIR PARTS

TRACTOR- -MODEL NO. 917. 250431

ELECTRICAL

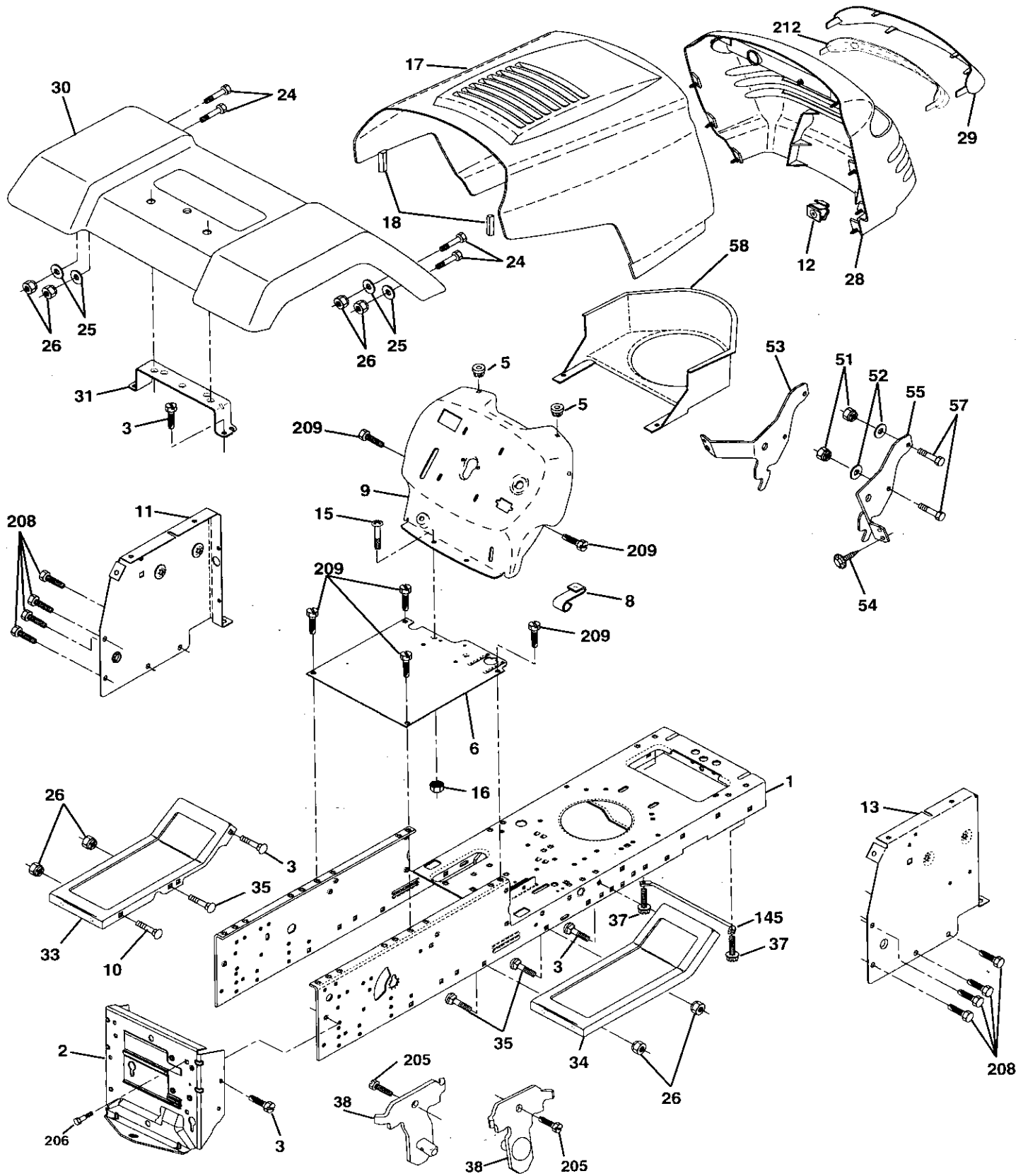
KEY NO.	PART NO.	DESCRIPTION
1	144925	Battery 12 Volt 25 AMP
2	74760412	Bolt Hex Hd 1/4-20unc X 3/4
8	156417	Case Battery
16	153664	Switch Interlock Push-In
21	166181	Harness Socket Light W/4152J
22	4152J	Bulb Light #1156
24	4799J	Cable Battery 6ga 11" red
25	146147	Cable Battery 6.Ga W/16 Wir red
26	175158	Fuse 20 AMP
27	73510400	Nut Keps Hex 1/4-20 Unc
28	4207J	Cable Ground 6ga 12" black
29	121305X	Switch Plunger Nc Gray
30	175566	Switch Ign Delta Push-In
33	140403	Key Ign Molded Craftsman, Delta
40	178437	Harness Ign
41	71110408	Bolt Blk Hex 1/4-20unc x 1/2
42	131563	Cover Terminal Red
43	178861	Solenoid
45	121433X	Ammeter Rectangular 6 AMP
52	141940	Protection Wire Loop

NOTE: All component dimensions give in U.S. inches
1 inch = 25.4 mm

REPAIR PARTS

TRACTOR- -MODEL NO. 917. 250431

CHASSIS AND ENCLOSURES



REPAIR PARTS

TRACTOR- -MODEL NO. 917. 250431

CHASSIS AND ENCLOSURES

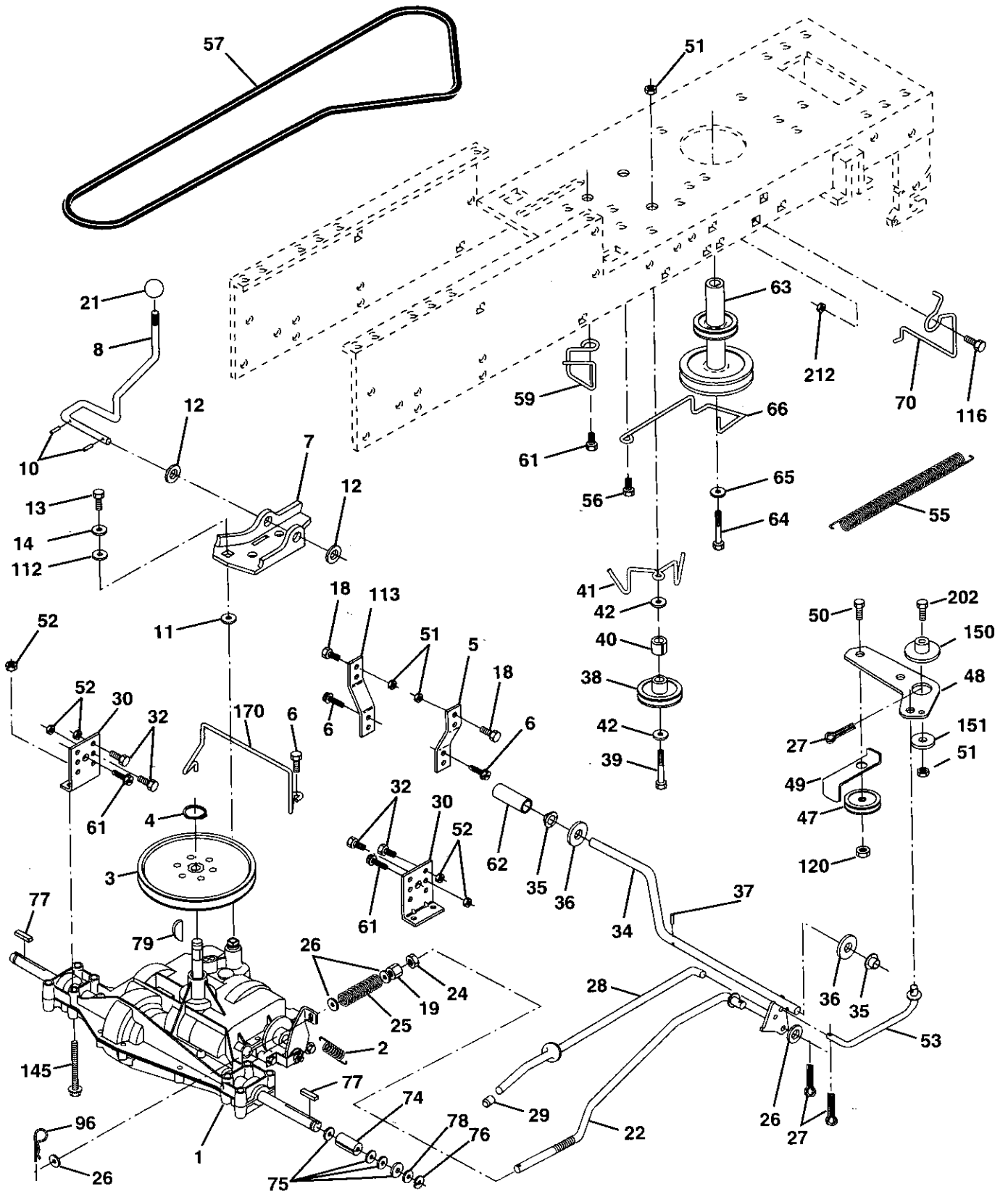
KEY NO.	PART NO.	DESCRIPTION
1	174620	Chassis
2	176554	Drawbar
3	17060612	Screw 3/8-16 x 3/4
5	155272	BumperHood/Dash
6	174643X010	Saddle
8	126471X	Clip Insulator .406 Mtg Hole
9	168348X012	Dash Silkscr Plm Mech Sym
10	72140608	Bolt RdHd Sqnk. 3/8-16 x 1
11	155927	Panel Asm. Dash Lh
12	145660	Clip Tinnerman Grille P/L
13	172107X010	Panel Dash Rh
15	74180512	Screw Mach Trhd 5/16-18unc x 3/4
16	73510500	Nu Keps 5/16-18unc
17	159639X558	Hood Pnt Steel Private Label
18	126938X	BumperHood
24	74780616	Bolt Fin Hex 3/8-16 Unc x 1 Gr. 5
25	19131312	Washer 13/32 x 13/16 x 12 Ga.
26	73800600	Nut Lock Hex w/Ins 3/8-16 Unc
28	140434	Grill/Lens Asm
29	140273X599	Lens Grille Private label
30	169465X558	Fender Pnt
31	136619	Bracket Fender Support
33	145244X558	Footrest Pnt. Lh
34	145243X558	Footrest Pnt. Rh
35	72110606	Bolt RdHd Sht. Sqnk. 3/8-16 x 3/4
37	17490508	Screw Thdrol 5/16-18 x 1/2 Tyt
38	175710	Bracket Asm. Pivot Mower Rear
51	73800400	Nut Lock Hex W/Ins. 1/4-20
52	19091416	Washer 9/32 x 7/8 x 16 Ga.
53	144697	Bracket Grille LH
54	161464	Screw Hex Wshd #8-18 x 7/8
55	144696	Bracket, Grille RH
57	74780412	Bolt Fin Hex 1/4-20 x 3/4
58	150127	Air Duct Private Label LT Engine
145	156524	Rod Pivot Chassis /Hood
205	17490608	Screw Thdrol 3/8-16 x 1/2
206	170165	Bolt Shoulder 5/16-18 TT
208	17670608	Screw Thdrol. 3/8-16 x 1/2
209	17000612	Screw Hex Wsh Thdrol 3/8-16 BL
212	156229	Insert Lens Reflective
--	5479J	Plug Button Blk .359 Dia. Choke

NOTE: All component dimensions give in U.S. inches
1 inch = 25.4 mm

REPAIR PARTS

TRACTOR- -MODEL NO. 917. 250431

DRIVE



REPAIR PARTS

TRACTOR- -MODEL NO. 917. 250431

DRIVE

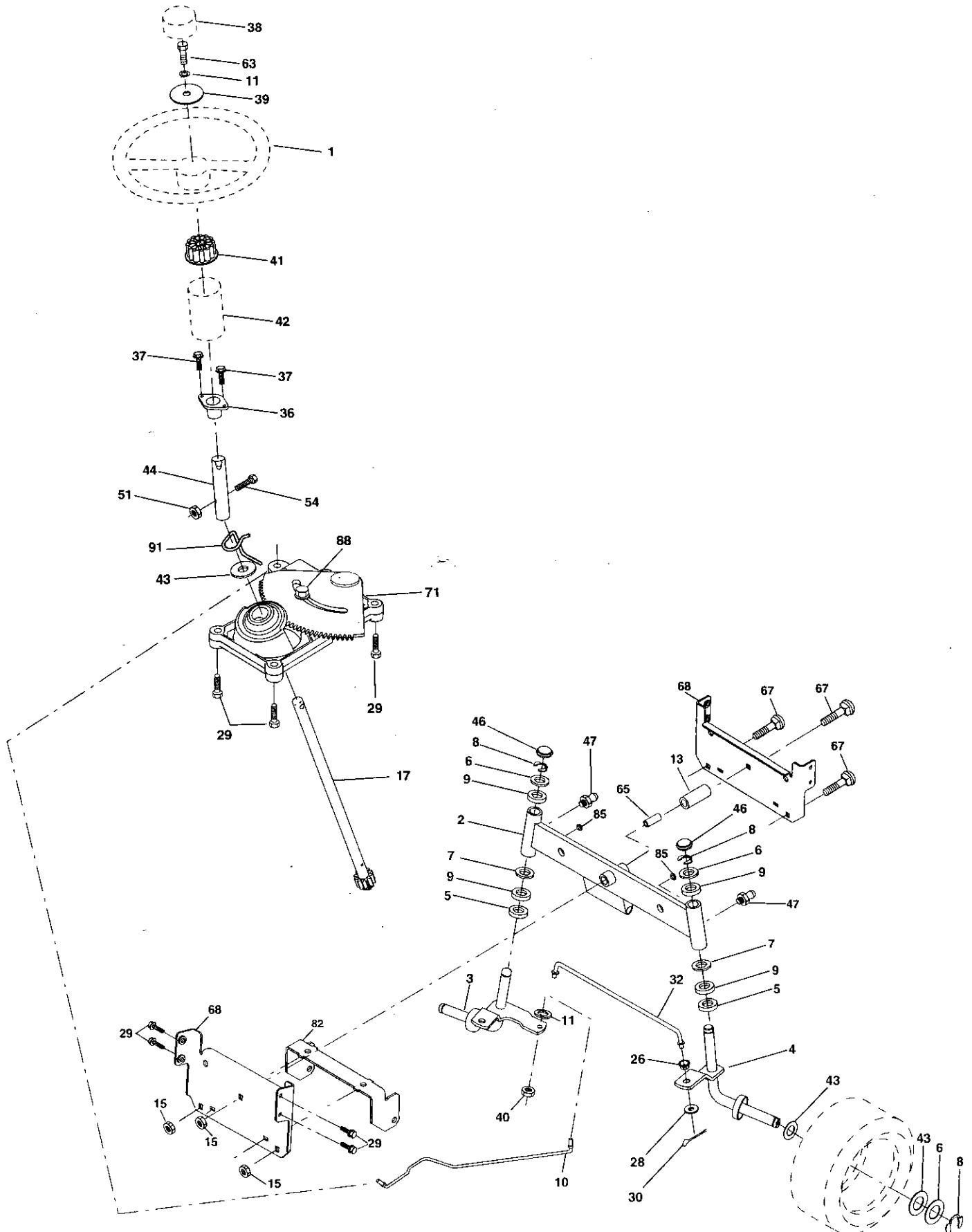
KEY NO.	PART NO.	DESCRIPTION	KEY NO.	PART NO.	DESCRIPTION
1	-----	Transaxle (See Breakdown) Dana 4360-140	48	154407	Bellcrank Clutch Grn Drv Stl
2	146682	Spring Return Brake T/a Zinc	49	123205X	Retainer Belt Style Spring
3	123666X	Pulley Transaxle 18/20" tires	50	STD523715	Bolt Hex Hd 3/8-16unc x 1-1/2
4	12000028	Ring Retainer # 5100-62	51	STD541437	Nut Crownlock 3/8-16 UNC
5	121520X	Strap Torque 30 Degrees	52	STD541431	Nut Crown Lock 5/16-18
6	17060512	Screw 5/16-18 x 3/4	53	105710X	Link Clutch 7 66
7	162240	Bracket Saddle Shift T/a	55	105709X	Spring Return Clutch 6 75
8	131679	Rod Shf Sdl LY/YT Str Blk Zinc	56	STD523712	Bolt Fin Hex 3/8-16 unc x 1-1/4
10	STD561210	Pin Cotter 1/8 x 1 Cad	57	160855	V-Belt Gd Drive
11	105701X	Washer Plate Shf 388 Sq Hole	59	169691	Keeper Belt Centerspan
12	19151216	Washer 15/32 x 3/4 x 16ga	61	17060612	Screw 3/8-16 x 3/4
13	74550412	Bolt 1/4-28unf Gr8 W/Patch	62	8883R	Cover Pedal Blk Round
14	STD551125	Washer Lock Hvy Helical 1/4	63	175410	Pulley Eng
18	STD523710	Bolt Fin Hex 3/8-16 x 1	64	71170764	Bolt Hex 7/16-20 x 4 Gr 5
19	STD541437	Nut Lock Hex W/Ins. 3/8-16 Unc	65	STD551143	Washer Lock Hvy Hlcl Spr 7/16
21	106933X	Knob Rd 1/2-13 Plstc Thds Blk	66	154778	Keeper Belt Engine
22	130804	Rod Brake Blk Zinc 26 840	70	134683	Guide Belt Mower Drive RH
24	STD541237	Nut Hex Jam 3/8-16 Unc	74	109502X	Spacer Axle
25	106888X	Spring Rod Brake 2 00 Zinc	75	121749X	Washer 25/32 x 1 1/4 x 16 Ga
26	19131016	Washer 13/32 x 5/8 x 16 Ga	76	STD581075	E-ring #5133-75
27	STD561210	Pin Cotter 1/8 x 3/4 Cad	77	123583X	Key Square 2 0 x 1845/ 1865
28	175765	Rod Brake Parking Lt/Yt	78	121748X	Washer 25/32 x 1-5/8 x 16ga
29	71673	Cap Brake Parking	79	2228M	Key Woodruff
30	174973	Bracket Mtg Transaxle	96	STD624003	Retainer Spring 1"
32	STD523107	Bolt Hex Hd 5/16-18unc x 3/4	112	19091210	Washer 9/32 x 3/4 x 10 Ga
34	175578	Shaft Asm Pedal Foot	113	127285X	Strap Torque
35	120183X	Bearing Nylon Blk 629 Id	116	72140608	Bolt Rdhd Sq Neck 3/8-16 x 1
36	STD551062	Washer 21/32 x 1 x 16 Ga	120	73900600	Nut Lock Flg 3/8-16
37	STD571810	Pin Roll 3/16 x 1"	145	74490544	Bolt Hex Flghd 5/16-18 Gr. 5
38	165936	Pulley Idler Composite	150	175456	Spacer Retainer
39	74760648	Bolt Fin Hex 3/8-16 Unc X 3	151	19133210	Washer 13/32 x 2 x 10 Ga
40	175461	Spacer Split Steel	170	173898	Keeper Belt Transaxle Gear
41	175556	Keeper Belt Idler	202	72110614	Bolt Carr Sh 3/8-16 x 1-3/4 Gr. 5
42	19131312	Washer 13/32 x 13/16 x 12 Ga	212	145212	Nut Hex Flg Lock
47	127783	Pulley Idler V Groove Plastic			

NOTE: All component dimensions given in U. S. inches 1 inch = 25.4 mm

REPAIR PARTS

TRACTOR- -MODEL NO. 917. 250431

STEERING ASSEMBLY



REPAIR PARTS

TRACTOR- -MODEL NO. 917. 250431

STEERING ASSEMBLY

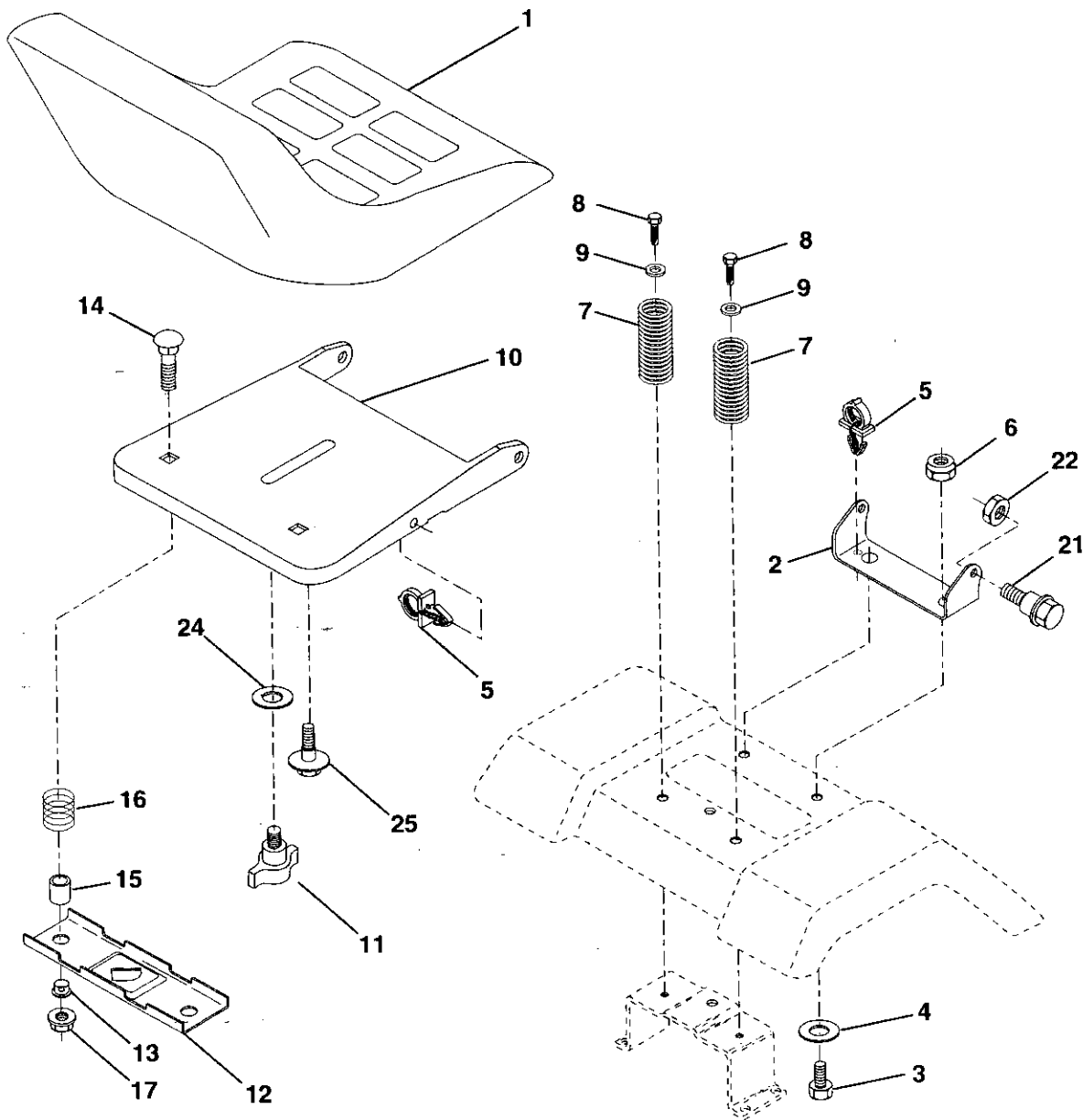
KEY NO.	PART NO.	DESCRIPTION
1	139768	Wheel Steering Opp Sears Blk
2	154427	Axle Asm Front Lt
3	156483	Spindle Asm Lh
4	157473	Spindle Asm Rh
5	6266H	Washer Thrust .75 x 1.230
6	121748X	Washer 25/32 x 1-5/8 x 16 Ga.
7	19272016	Washer 27/32 x 1-1/4 x 16 Ga.
8	12000029	RingKlip#T5304-75
9	3366R	Bearing Col Strg Blk
10	175121	Draglink
11	10040600	Washer Lock Hvy Hlcl Spr 3/8
13	136518	Spacer Brg Axle Front
15	145212	Nut Hexflange Lock
17	177876	Shaft Asm Strg
26	126847X	Bushing Llnk Drag Blk LR
28	19131416	Washer 13/32 x 7/8 x 16 Ga.
29	17060612	Screw 3/8-16 x 3/4
30	STD561210	Pin Cotter 1/8 x 3/4 Cad
32	130465	Rod Tie Wire Form 19.75 Mech
36	155099	Bushing Strg. 5/8 ID Dash
37	152927	Screw
38	139769	Cap Wheel Steer Opp Sears USA
39	19133812	Washer 13/32 x 2-3/8 x 12 Ga.
40	7810H	Nut Lock Center 3/8-24
41	100711L	Adaptor Wheel Strg.
42	145054X428	Boot Steering Dash P/L MTL Blk
43	121749X	Washer 25/32 x 1-1/4 x 16 Ga.
44	153720	Extension Steering Non-adjust
46	121232X	Cap Spindle Fr Top Blk
47	6855M	Fitting Grease
51	73800500	Nut Lock Hx W/Ins 5/16-18unc
54	74780520	Bolt Fin Hex 5/16-18unc
63	74780616	Bolt Fin Hex 3/8-16unc x 1 Gr. 5
65	160367	Spacer Axle
67	72140618	Bolt Rdhd 3/8-16 x 2-1/4
68	169827	Brace Axle
71	175146	Steering Asm
82	169835	Bracket Susp Chasis Front
85	133835	Fastner Christmas Tree
88	175118	Bolt Shoulder 7/16-20 Unc
91	175553	Clip Steering

NOTE: All component dimensions given in U.S. inches 1 inch = 25.4 mm

REPAIR PARTS

TRACTOR- -MODEL NO. 917.250431

SEAT ASSEMBLY



KEY NO.	PART NO.	DESCRIPTION
1	140122	Seat
2	140551	Bracket Pvt St
3	71110616	Bolt Fin Hex 3/8-16unc X 1
4	19131610	Washer Flat 13/32 X 1 X 10 Ga
5	145006	Clip Push-In Hinged
6	STD541437	Locknut Hex W/Wsh 3/8-16
7	124181X	Spring Seat Cprsn 2 250 Blk Zi
8	17000616	Screw 3/8-16 X 1-1/2
9	19131614	Washer 13/32 X 1 X 14 Ga
10	174894	Pan Seat
11	166369	Knob Seat Adj. Wingnut
12	121246X	Bracket Mounting Switch

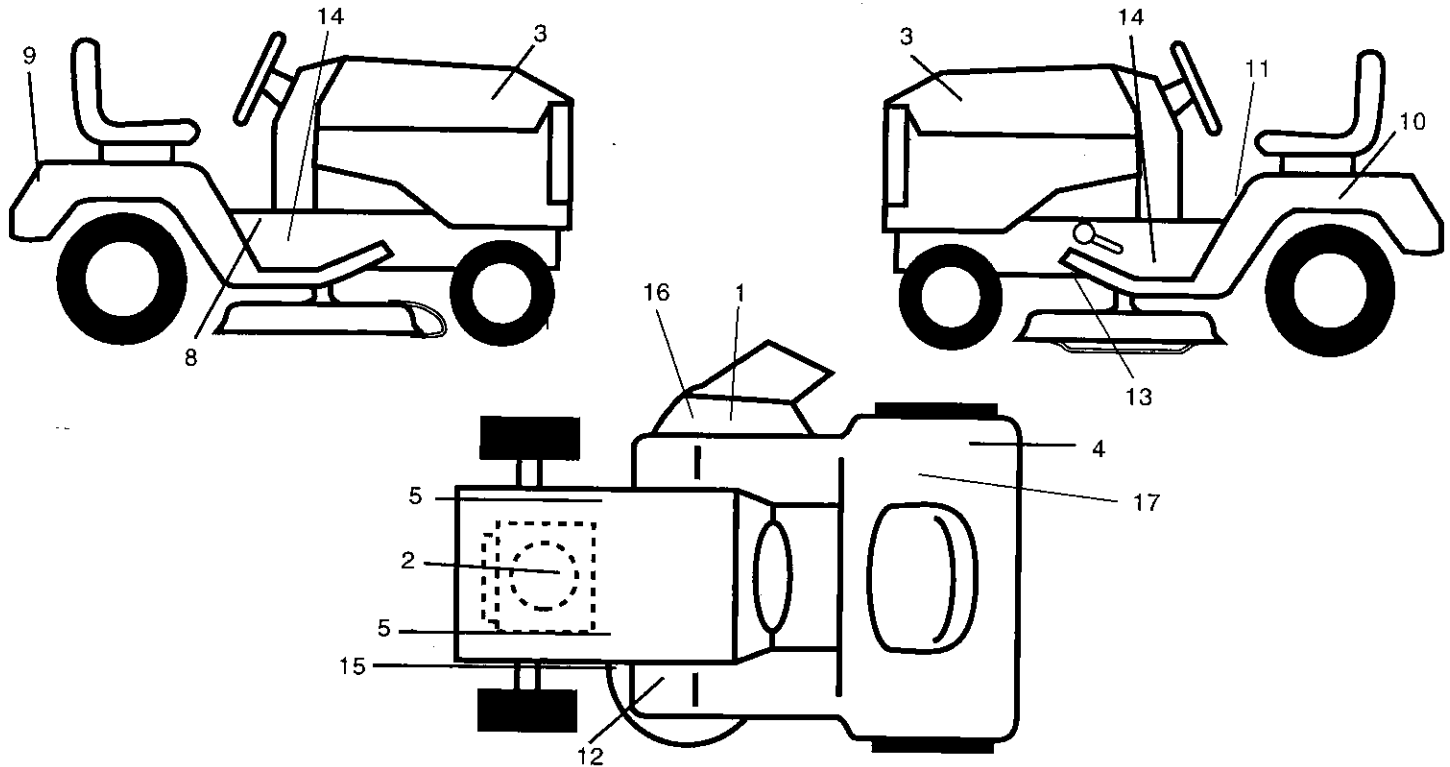
KEY NO.	PART NO.	DESCRIPTION
13	121248X	Bushing Snap Blk Nyl 50 Id
14	72050412	Bolt Rdhd Sht Nk 1/4-20x1-1/2
15	134300	Spacer Split 28x 96 Yel Zinc
16	121250X	Spring Cprsn 1 27 Blk Pnt
17	123976X	Nut Lock 1/4 Lge Flg Gr 5 Zinc
21	171852	Bolt Shld 5/16-18 Unc-2A Blk D
22	STD541431	Nut Lock Hex "W/Ins 5/16-18
24	19171912	Washer 17/32 X 1-3/16 X 12 Ga
25	127018X	Bolt Shoulder 5/16-18 x .62

NOTE: All component dimensions given in U.S. inches
1 inch = 25.4 mm

REPAIR PARTS

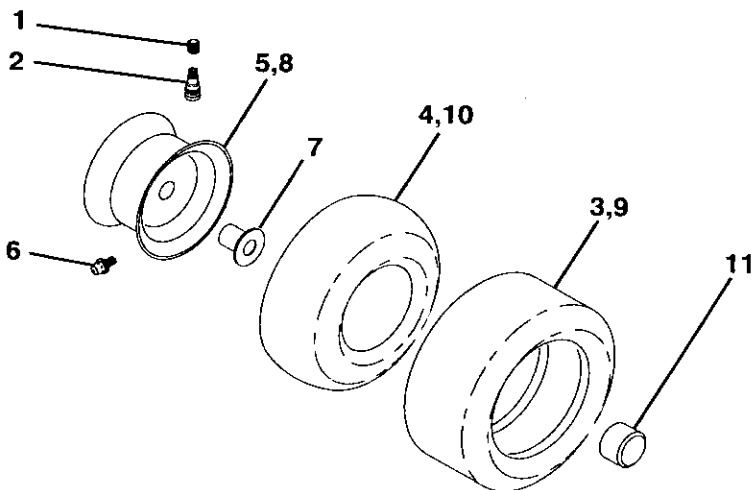
TRACTOR- -MODEL NO. 917.250431

DECALS



KEY NO.	PART NO.	DESCRIPTION	KEY NO.	PART NO.	DESCRIPTION
1	179128	Decal Deck	13	146046	Decal V-Belt Dr Sch Tractor
2	176675	Decal HP Engine	14	177097	Decal Lower DSH
3	171704	Decal Hood Logo	15	160396	Decal V-Belt Sch
4	126187X	Decal Certification	16	145494	Decal International Cutfinger
5	159736	Decal Chass Hot Muffler	17	145437	Decal Europe Stand CE
8	140837	Decal Brake Park Saddle	--	162598	Decal Draw Bar
9	163204	Decal Fender Craftsman White	--	157199X428	Pad Footrest
10	145005	Decal Battery Dngr/Psn Eng Acme	--	138311	Decal Handle Lft Height Adjust
11	145498	Decal Read Owner's Manual	--	177899	Manual Operator's Euro
12	159737	Decal Clutch/brake	--	177900	Manual Operator's Scans
			--	179279	Manual Repair Parts

WHEELS & TIRES



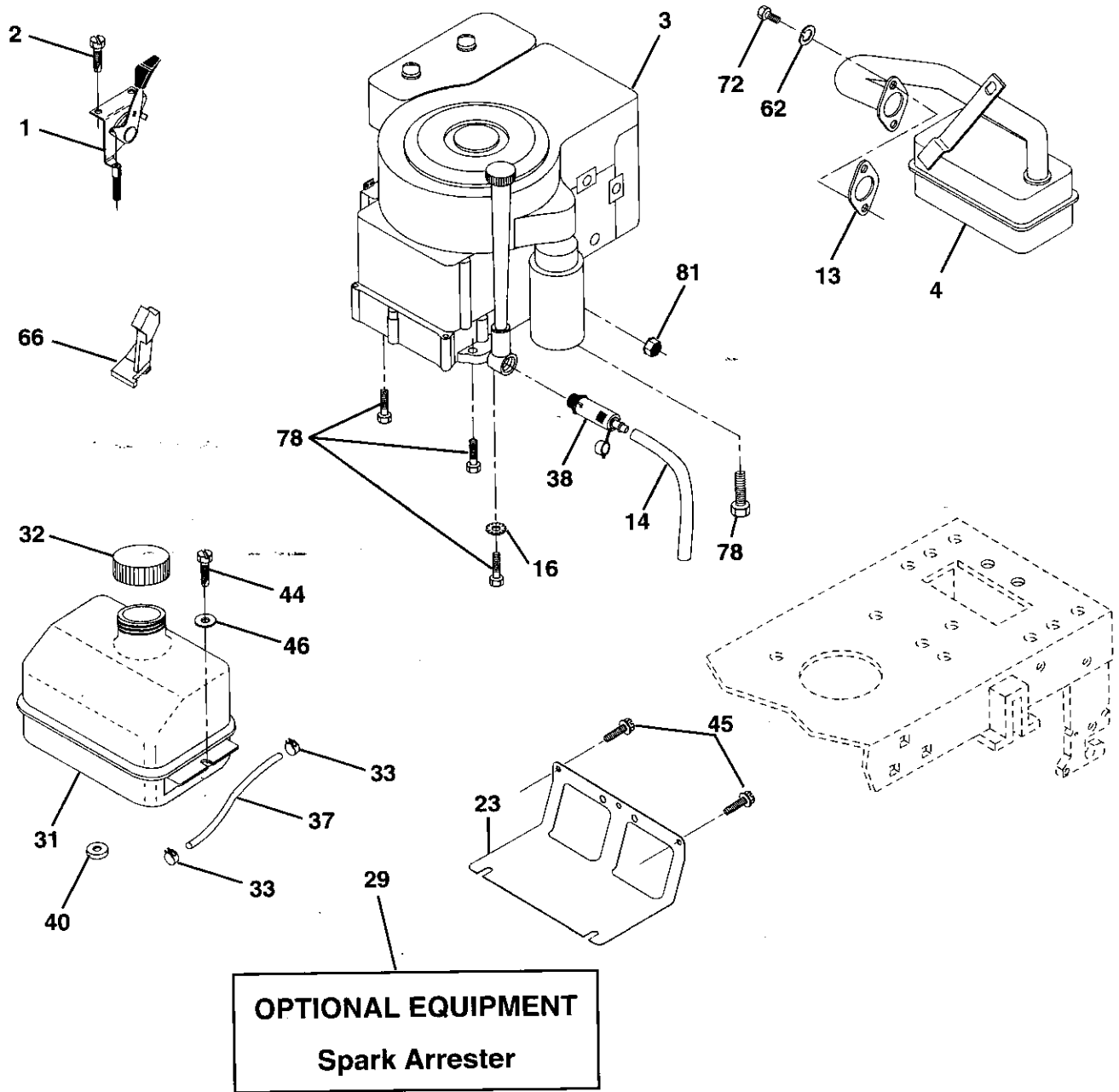
KEY NO.	PART NO.	DESCRIPTION
1	59192	Cap Valve Tire
2	65139	Stem Valve
3	106222X	Tire F Ts 15 X 6 0 - 6 Service
4	59904	Tube Inner Front #35060
5	106732X427	Rim Asm 6"front White Service
6	278H	Fitting Grease
7	9040H	Bearing Flange
8	106108X427	Rim Asm 8"rear White Service
9	124635X	Tire R Ts 18x9 5-8 Service
10	7152J	Tube Rear 9 5 X 8 Service
11	104757X428	Cap Axle Blk 1 50 X 1 00
--	144334	Sealant, Tire (10 oz. tube)

NOTE: All component dimensions given in U.S. inches
1 inch = 25.4 mm

REPAIR PARTS

TRACTOR- -MODEL NO. 917.250431

ENGINE



REPAIR PARTS

TRACTOR- -MODEL NO. 917.250431

ENGINE

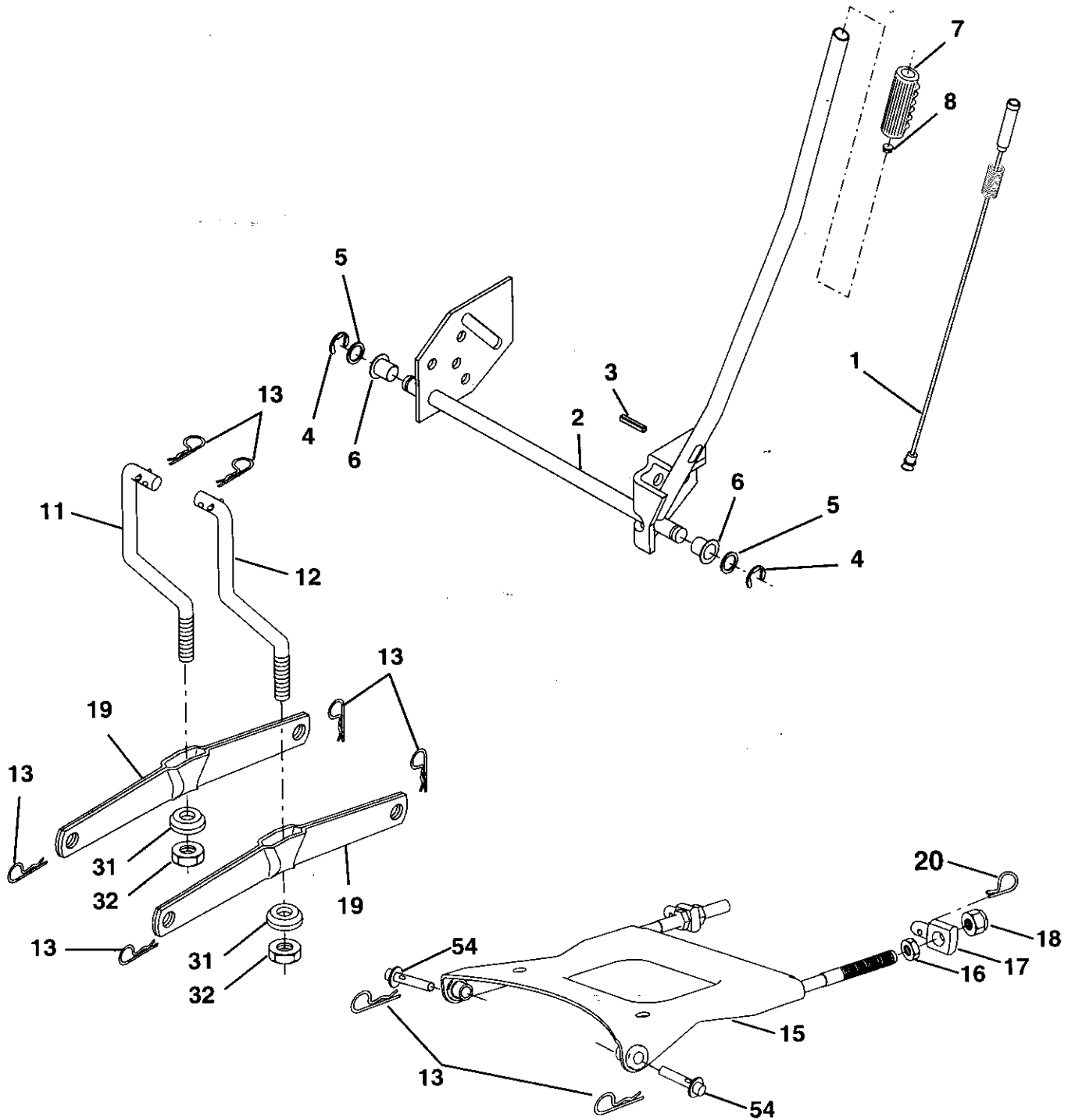
KEY NO.	PART NO.	DESCRIPTION
1	170549	Control Th/ch
2	17720410	Screw Hex Thd Cut 1/4-20x5/8 T
3	-----	Engine (See Breakdown) Briggs, Model No 287707-1259-E1
4	137352	Muffler Exh LT B&S 14HP IC OHV
13	165291	Gasket Eng 1 313 Id Tin Plated
14	148456	Tube. drain
16	STD551237	Washer Lock Ext Tooth 3/8
23	169837	Shield Browning/Debris Guard
29	137180	Kit Spark Arrestor (Flat Scrm)
31	109202X	Tank Fuel Front 1 25
32	158990	Cap Asm Fuel Sears Vented
33	123487X	Clamp Hose Blk
37	137040	Line Fuel 20"
38	148315	Plug. drain
40	124028X	Bushing Snap Nyl Blk Fuel Line
44	17670412	Screw Hexwsh Thdrol 1/4-20 x 3/4
45	17000612	Screw Hex wsh Thdr 3/8-16 x 1/4
46	19091416	Washer 9/32 x 7/8 x 16 ga
62	STD551131	Washer Lock Hvy Hlcl Spr 5/16
66	127951	Stop Throttle
72	71070512	Screw Hex Hd Cap 5/16-18 X 3/4
78	17060620	Screw 3/8-16 x 1-1/4
81	73510400	Nut Keps Hex 1/4-20 Unc

NOTE: All component dimensions given in U.S. inches
1 inch = 25.4 mm

REPAIR PARTS

TRACTOR- -MODEL NO. 917.250431

MOWER LIFT



REPAIR PARTS

TRACTOR- -MODEL NO. 917.250431

MOWER LIFT

KEY NO.	PART NO.	DESCRIPTION
1	159460	Wire Asm Inner/Sprg W/ plungerLT
2	159471	Shaft Asm Lift
3	105767X	Pin Groove 1 500 Zinc
4	12000002	E Ring #5133-62
5	19211621	Washer Pltd 21/32 X 1 X 21ga
6	120183X	Bearing Nylon Blk 629 Id
7	125631X	Grip Handle Fluted Blk
8	122365X	Button Plunger Red
11	139865	Link Lift LH
12	139866	Link Lift RH
13	STD624008	Retainer Spring
15	173288	Link Front
16	73350800	Nut Jam Hex 1/2-13 Unc
17	175689	Trunnion
18	73800800	Nut Lock W/Wsh 1/2-13unc
19	139868	Arm Suspension Rear
20	163552	Retainer Spring Zinc
31	169865	Bearing Pvt Lift
32	73540600	Nut Crownlock 3/8-24

NOTE: All component dimensions given in U.S. inches
1 inch = 25.4 mm

