



REPAIR PARTS MANUAL

MODEL NO. 250420

Lawn Tractor

13,5 38"



HOW TO USE THIS MANUAL

This manual is designed to provide the customer with a means to identify the parts on his/her tractor when ordering repair parts. The illustrations may or may not represent the actual assemblies; therefore, it is not recommended to use this manual as a guide to assemble or disassemble the tractor. Some hardware and parts are drawn larger in order to more readily identify them.

Each tractor has its own model number.

The model number for your tractor can be found on the fender under the seat.

When ordering parts, always give the following information:

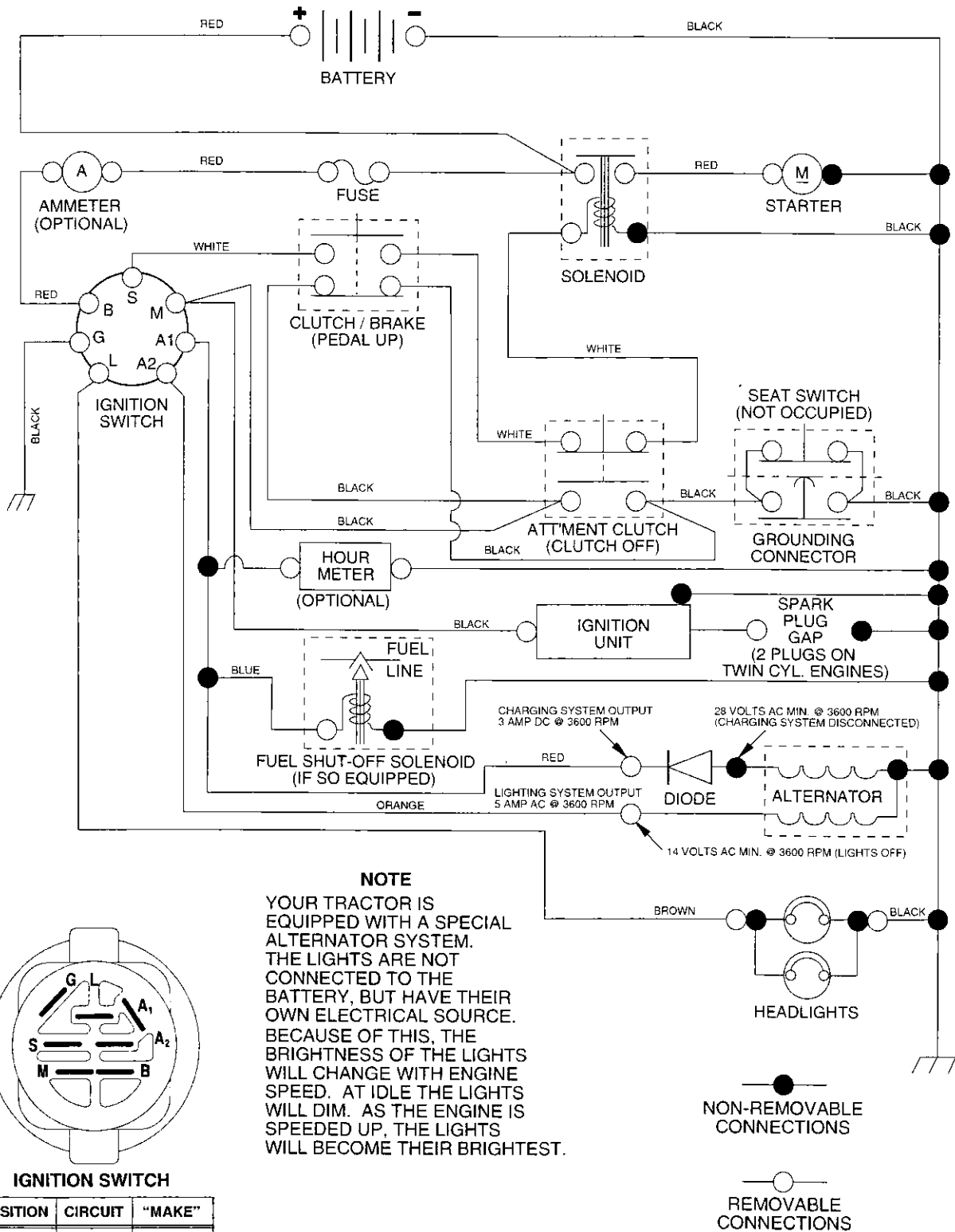
- Product - "Tractor"
- Model Number - "250420"
- Part Number
- Part Description

TABLE OF CONTENTS

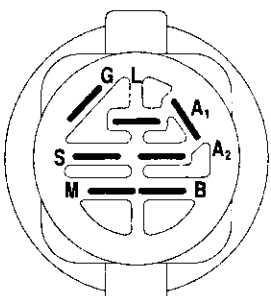
SCHEMATIC.....	3
ELECTRICAL.....	4-5
CHASSIS.....	6-7
DRIVE.....	8-9
STEERING.....	10-11
SEAT.....	12
DECALS.....	13
ENGINE.....	14-15
MOWER LIFT.....	16-17
MOWER DECK.....	18-19
TRANSAXLE.....	20-21
ENGINE BREAKDOWN.....	22-27
WARRANTY.....	28

TRACTOR- -MODEL NO. 917. 250420

SCHEMATIC



NOTE
 YOUR TRACTOR IS EQUIPPED WITH A SPECIAL ALTERNATOR SYSTEM. THE LIGHTS ARE NOT CONNECTED TO THE BATTERY, BUT HAVE THEIR OWN ELECTRICAL SOURCE. BECAUSE OF THIS, THE BRIGHTNESS OF THE LIGHTS WILL CHANGE WITH ENGINE SPEED. AT IDLE THE LIGHTS WILL DIM. AS THE ENGINE IS SPEEDED UP, THE LIGHTS WILL BECOME THEIR BRIGHTEST.



IGNITION SWITCH

POSITION	CIRCUIT	"MAKE"
OFF	M+G+A1	NONE
RUN/LIGHT	B+A1	A2+L
RUN	B+A1	NONE
START	B + S + A1	NONE

WIRING INSULATED CLIPS
NOTE: IF WIRING INSULATED CLIPS WERE REMOVED FOR SERVICING OF UNIT, THEY SHOULD BE REPLACED TO PROPERLY SECURE YOUR WIRING.

REPAIR PARTS

TRACTOR- -MODEL NO. 917. 250420

ELECTRICAL

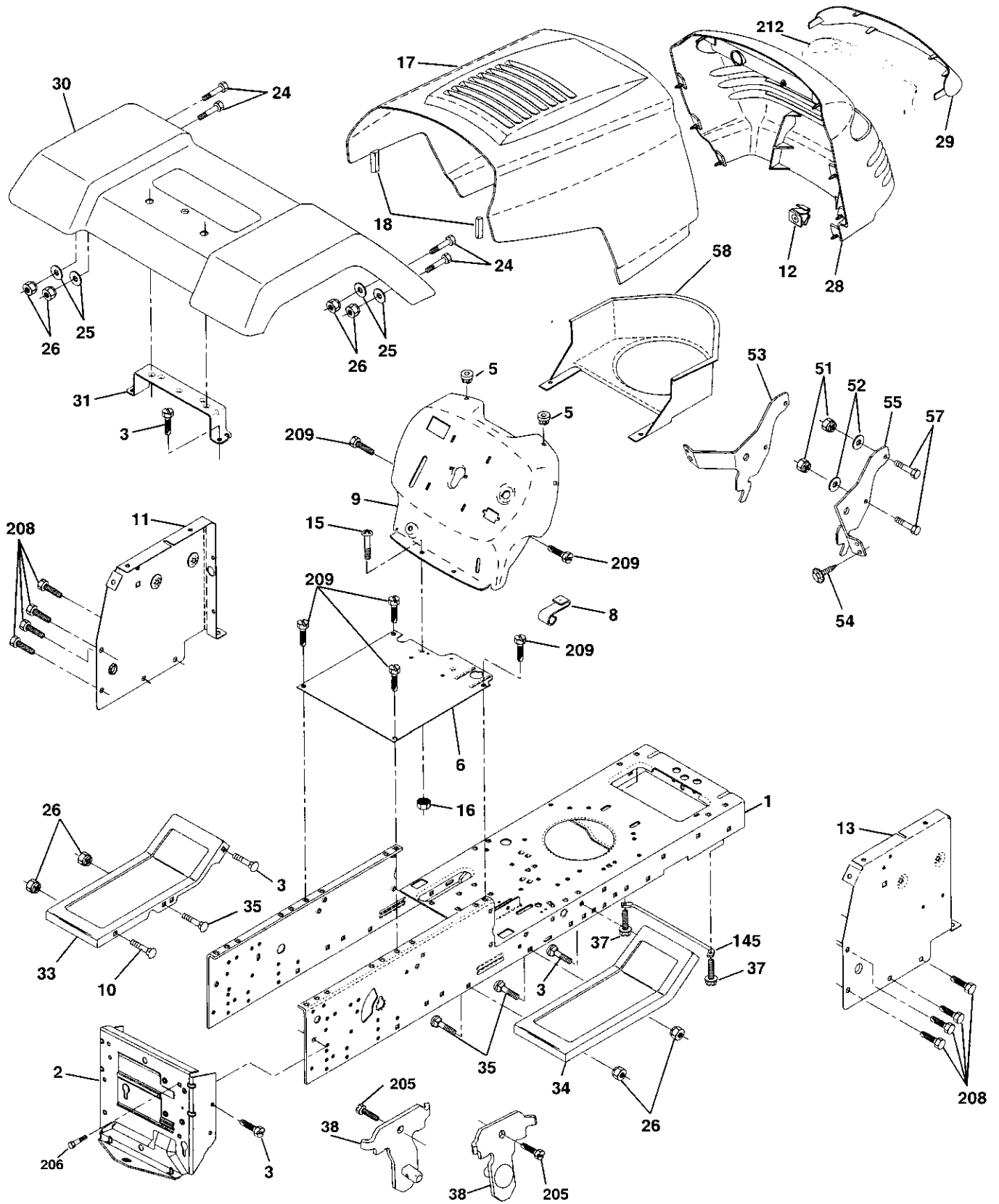
KEY NO.	PART NO.	DESCRIPTION
1	144925	Battery 12 VOLT 25 AMP
2	74760412	Bolt Hex Hd 1/4-20unc x 3/4
8	156417	Case Battery
16	153664	Switch, Interlock Push-In
21	166181	Harness Asm Light W/4152j
22	4152J	Bulb Light #1156
24	4799J	Cable Battery 6 Ga 11" red
25	146147	Cable Battery 6 Ga w/16 wire red
26	175158	Fuse 20 AMP
27	73510400	Nut, Keps Hex 1/4-20 UNC
28	4207J	Cable Ground 6 Ga 12" black
29	121305X	Switch Plunger Nc Gray
30	175566	Switch Ign
33	140403	Key Ign Molded Craftsman
40	170217	Harness Ign
41	71110408	Bolt Blk. Fin Hex 1/4-20 Unc x 1/2
42	131563	Cover Terminal Red
43	175141	Solenoid
48	140844	Adapter Ammeter
52	141940	Protection Wire Loop

NOTE: All component dimensions give in U.S. inches
1 inch = 25.4 mm

REPAIR PARTS

TRACTOR- -MODEL NO. 917. 250420

CHASSIS AND ENCLOSURES



REPAIR PARTS

TRACTOR- -MODEL NO. 917. 250420

CHASSIS AND ENCLOSURES

KEY NO.	PART NO.	DESCRIPTION
1	169831	Chassis
2	176554	Drawbar
3	17060612	Screw 3/8-16 x 3/4
5	155272	Bumper Hood/Dash
6	155924X014	Saddle
8	126471X	Clip
9	168347X011	Dash
10	STD533710	Bolt, Carriage 3/8-16 x 3/4
11	155927	Panel, Dash, L.H.
12	145660	Clip Tinnerman Grille P/L
13	172107X010	Panel, Asm. SLKSCR Dash R.H.
15	74180512	Screw Mach Thrd 5/16-18 UNC 3/4
16	73510500	Nut Keps 5/16-18 UNC
17	159639X558	Hood Assembly
18	126938X	Bumper Hood
24	74780616	Bolt Fin Hex 3/8-16 UNC x 1 Gr. 5
25	19131312	Washer 13/32 x 13/16 x 12 Gauge
26	STD541437	Nut, Lock Hex W/Ins. 3/8-16 UNC
28	150407	Grille w/Lens Asm.
29	150209X599	Lens, Grille
30	169465X558	Fender
31	136619	Bracket, Fender Support
33	105476X558	Footrest LH
34	105475X558	Footrest RH
35	72140608	Bolt RDHD Sqnk 3/8-16 UNC x 1
37	17490508	Screw Thdrol 5/16-18 x 1/2 TYT
38	169834	Bracket Asm Pivot
51	73800400	Nut Lock w/Insert 1/4-20 UNC
52	19091416	Washer 9/32 x 7/8 x 16 Ga.
53	144697	Bracket Grille LH
54	161464	Screw Hex WSHD 8-18 x 7/8
55	144696	Bracket Grille RH
57	STD522507	Bolt, Fin Hex 1/4-20 UNC x .75
58	150127	Duct Air Engine
145	156524	Rod Pivot Chassis/Hood
205	17490608	Screw Hexwsh Thdrol 3/8-16 x 1/2
206	170165	Bolt Shoulder 5/16-18 TT
208	17670608	Screw Thdrol 3/8-16 x 1/2
209	17000612	Screw Hexwsh Thdrl 3/8-16 x 3/4
212	156494	Insert Lens Reflective
--	5479J	Plug, Button

NOTE: All component dimensions give in U.S. inches
1 inch = 25.4 mm

REPAIR PARTS

TRACTOR- -MODEL NO. 917. 250420

DRIVE

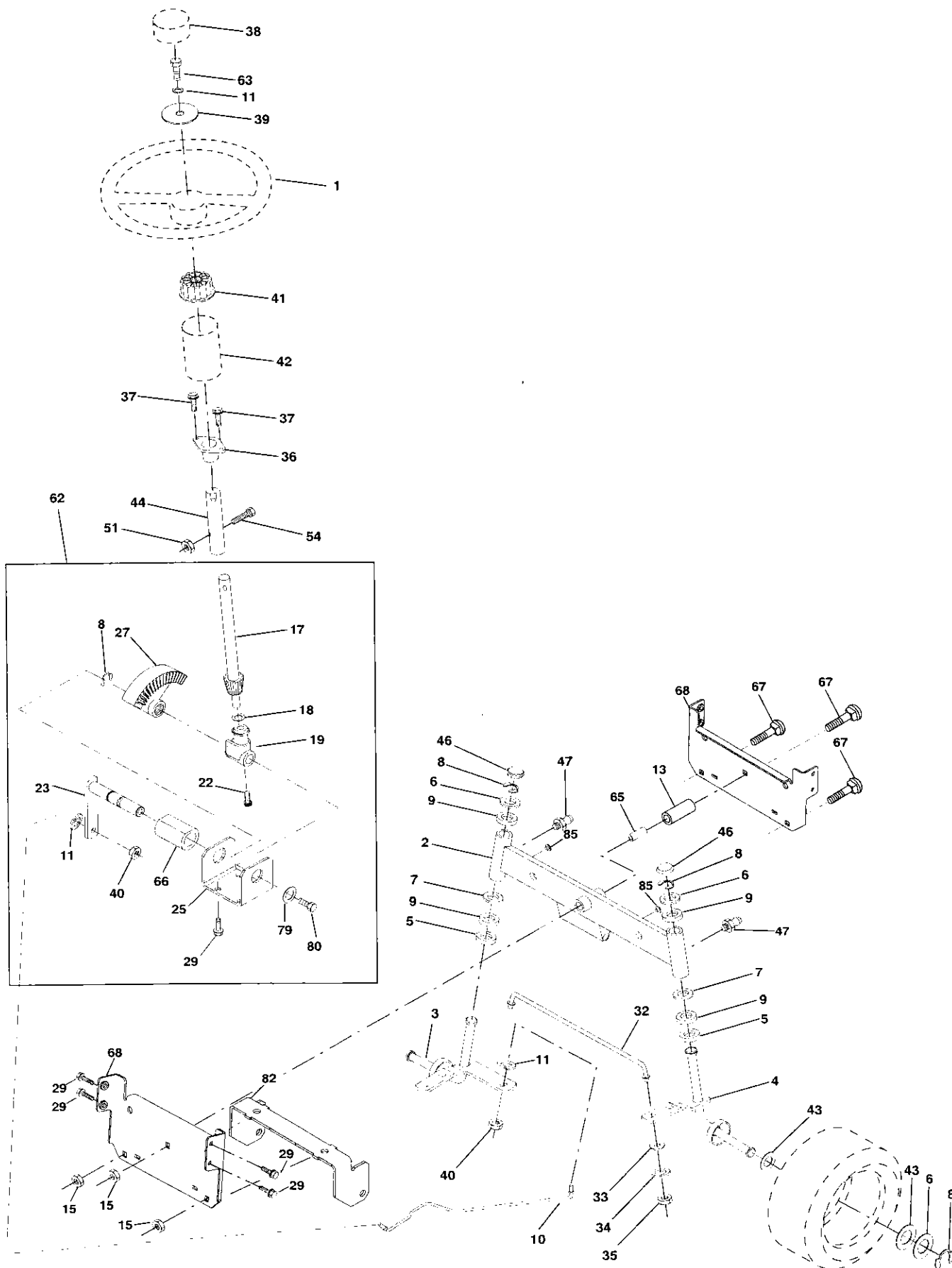
KEY NO.	PART NO.	DESCRIPTION	KEY NO.	PART NO.	DESCRIPTION
1	-----	Transaxle Dana D4360-139 (Order parts from transaxle Manufacturer)	47	127783	Pulley Idler V Groove Plastic
2	146682	Spring Return Brake T/a Zinc	48	154407	Bellcrank Asm. Clutch
3	123666X	Pulley Transaxle 18/20" tires	49	123205X	Retainer Belt Style Spring
4	12000028	Ring Retainer # 5100-62	50	74760624	Bolt Hex Hd 3/8-16unc x1-1/2
5	121520X	Strap Torque 30 Degrees	51	73680600	Nut Crownlock 3/8-16 UNC
6	17060512	Screw 5/16-18 x 3/4	52	73680500	Nut Crown Lock 5/16-18
7	162240	Bracket Saddle Shift T/a	53	105710X	Link Clutch 7 66
8	131679	Rod Shf Sdl LYYT Str Blk	55	105709X	Spring Return Clutch 6 75
10	76020416	Pin Cotter 1/8 x 1 Cad	56	74760620	Bolt Fin Hex 3/8-16 unc x 1-1/4
11	105701X	Washer Plate 388 Sq Hole	57	160855	V-Belt Gd Drive 9530
12	19151216	Washer 15/32 x 3/4 x 16ga	59	169691	Keeper Belt Centerspan
13	74550412	Bolt 1/4-28unf Gr8 W/Patch	61	17060612	Screw 3/8-16 x 3/4
14	10040400	Washer Lock Hvy Helical 1/4	62	8883R	Cover Pedal Blk Round
15	74490544	Bolt Hex Flghd 5/16-18 x Gr. 5	63	140186	Pulley Eng Cl Mech 38deg
18	74780616	Bolt Fin Hex 3/8-16 UNC x 1 Gr. 5	64	71170764	Bolt Hex 7/16-20 x 4 Gr 5
19	73800600	Nut Lock Hex W/Ins. 3/8-16 Unc	65	10040700	Washer Lock Hlcl Spr 7/16
21	106933X	Knob Rd 1/2-13 Plstc Thds	66	154778	Keeper Belt Engine FP
22	130804	Rod Brake Blk Zinc 26 840	70	134683	Guide Belt Mower Drive RH
24	73350600	Nut Hex Jam 3/8-16 Unc	74	109502X	Spacer Axle
25	106888X	Spring Rod Brake 2 00 Zinc	75	121749X	Washer 25/32 x 1-1/4 x16 Ga
26	19131016	Washer 13/32 x 5/8 x 16 Ga	76	12000001	E-ring #5133-75
27	76020412	Pin Cotter 1/8 x 3/4 Cad	77	123583X	Key Square 2 0 x 1845/ 1865
28	145204	Rod Brake Parking Lt/Yt	78	121748X	Washer 25/32 x1-5/8 x 16 Ga
29	71673	Cap Brake Parking	79	2228M	Key Woodruff
30	174973	Bracket Mtg Transaxle	112	19091210	Washer 9/32 x 3/4 x 10 Ga
32	74760512	Bolt Hex Hd 5/16-18unc x 3/4	113	127285X	Strap Torque LH LT
34	155071	Shaft Asm Pedal Foot	116	72140608	Bolt RDHD Sqnk 3/8-16 UNC x 1
35	120183X	Bearing Nylon Blk 629 Id	119	19131016	Washer 13/32 x 5/8 x 16 Ga.
36	19211616	Washer 21/32 x 1 x 16 Ga	120	73900600	Nut Lock Flg. 3/8-16 UNC
37	1572H	Pin Roll 3/16 x 1"	150	165850	Bushing Bellcrank GRD Drive
38	131494	Pulley Idler Flat	151	19133210	Washer 13/32 x 2 x 10 Ga.
39	74760644	Bolt Fin Hex 3/8-16 UNC x 2-3/4 Gr. 5	170	173898	Keeper Belt Transaxle Gear
40	4470J	Spacer Split 395 x 59 Bzp	202	72110612	Bolt Carr. Sh 3/8-16 x 1-1/2 Gr. 5
41	165838	Keeper Belt Idler	212	145212	Nut Hex Flange Lock
42	19131312	Washer 13/32 x 13/16 x 12 Ga			

NOTE: All component dimensions given in U. S. inches 1 inch = 25.4 mm

REPAIR PARTS

TRACTOR- -MODEL NO. 917. 250420

STEERING ASSEMBLY



REPAIR PARTS

TRACTOR- -MODEL NO. 917. 250420

STEERING ASSEMBLY

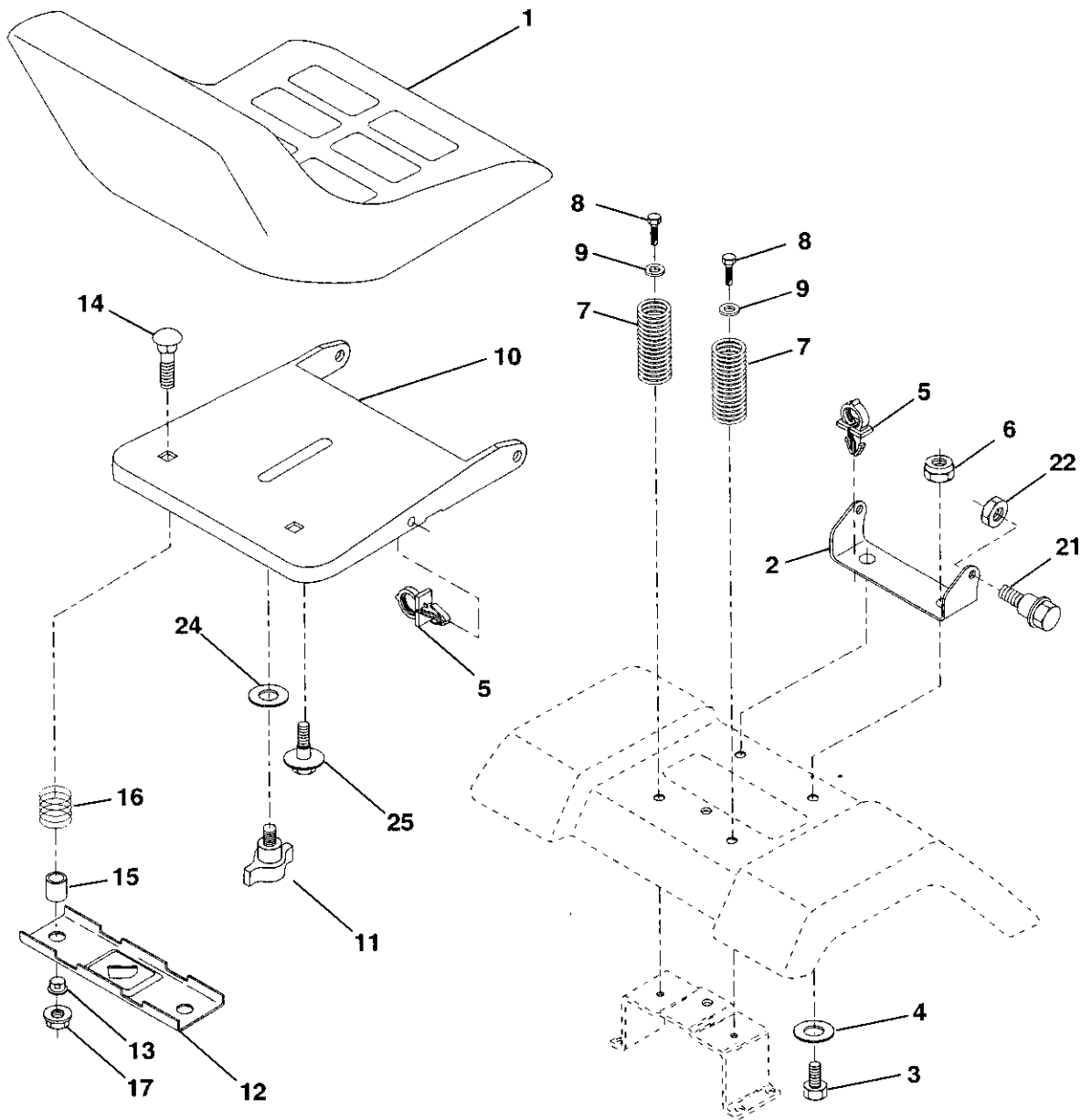
KEY NO.	PART NO.	DESCRIPTION
1	139768	Steering Wheel
2	156483	Front Axle Assembly
3	157473	Spindle Assembly, L.H.
4	169839	Spindle Assembly, R.H.
5	6266H	Bearing, Race, Thrust, Hardened
6	121748X	Washer 25/32 x 1-5/8 x 16 Gauge
7	19272016	Washer 27/32 x 1-1/4 x 16 Gauge
8	12000029	Ring, Klip
9	3366R	Bearing, Steering Column
10	169832	Link, Drag
11	STD551137	Washer, Lock
13	136518	Spacer, Bearing, Front Axle
15	145212	Nut Lock Hex Flange
17	156546	Shaft Assembly, Steering
18	57079	Washer, Thrust .515 x .750 x .033
19	160395	Support, Shaft
22	165857	Screw Hex WSH HDTorx
23	165851	Pittman Shaft Assembly
25	154406	Bracket, Steering
26	126847X	Bushing, Link, Drag
27	136874	Gear, Sector
28	19131416	Washer 13/32 x 7/8 x 16 Gauge
29	17060612	Screw 3/8-16 x 3/4
30	STD561210	Pin
32	130465	Rod, Tie
36	155099	Bushing, Steering
37	152927	Screw TT #10-32 x 5 x 3/8 Flange
38	139769	Cap Wheel Steer OPP Blk
39	19133812	Washer 13/32 x 2-3/8 x 12 Gauge
40	STD541537	Nut Lock Center 3/8-24 UNF
41	100711L	Adaptor, Steering Wheel
42	145054X428	Boot, Steering Dash P/L Mtl Blk
43	121749X	Washer 25/32 x 1-1/4 x 16 Gauge
44	153720	Extension Steering Non-Adjust
46	121232X	Cap, Spindle
47	6855M	Fitting, Grease
51	STD541431	Nut Lock Hx W/Ins 5/16-18 UNC
54	74780520	Bolt Fin Hex 5/16-18 UNC x 1-1/4
62	167902	Kit, Steering Assembly, Service
63	STD523710	Bolt Fin Hex 3/8-16 unc. x 1 Gr. 5
65	160367	Spacer Brace Axle
66	154404	Bearing Arm Pittman
67	72140618	Bolt Rdhd Sq 3/8-16 x 2-1/4
68	169827	Brace Axle
79	19132012	Washer 13/32 x 1-1/4 x 12 Ga.
80	74950612	Bolt Hex Nylon 3/8-16 x 3/4
82	169835	Bracket Susp Chassis Front
85	133835	Fastener Christmas Tree

NOTE: All component dimensions given in U.S. inches 1 inch = 25.4 mm

REPAIR PARTS

TRACTOR- -MODEL NO. 917.250420

SEAT ASSEMBLY



KEY NO.	PART NO.	DESCRIPTION
1	127427	Seat
2	140551	Bracket Pnt Pivot Seat (blk)
3	71110616	Bolt Fin Hex 3/8-16unc X 1
4	19131610	Washer 13/32 X 3/4 X 10 Ga
5	145006	Clip Push In Hinged
6	STD541437	Nut Hex Lock w/lns 3/8-16 Unc
7	124181X	Spring Seat Cprsn 2 250 Blk Zi
8	17000616	Screw 3/8-16 X 1 -1/2
9	19131614	Washer 13/32 X 1 X 14 Ga
10	174894	Pan Pnt Seat (blk)
11	166369	Knob Seat
12	121246X	Bracket Pnt Mounting Switch

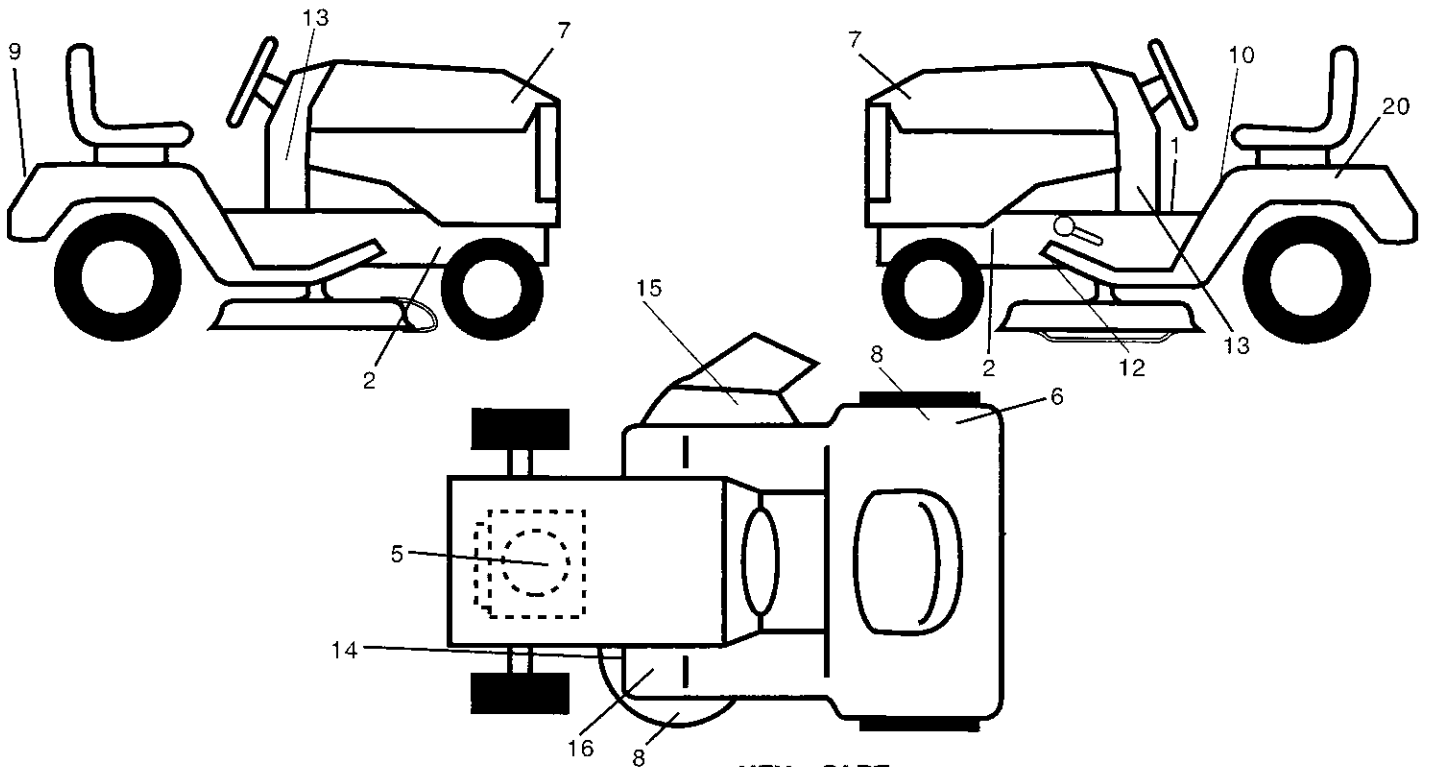
KEY NO.	PART NO.	DESCRIPTION
13	121248X	Bushing Snap Blk Nyl 50 Id
14	72050412	Bolt Rdhd Sht Nk 1/4-20x1-1/2
15	134300	Spacer Split 28 X 96 Zinc
16	121250X	Spring Cprsn 1 27 Blk Pnt
17	123976X	Nut Lock 1/4 Lge Flg Gr 5 Zinc
21	171852	Bolt Shoulder 5/16-18 Unc-2A
22	STD541431	Nut Hex Lock w/lns 5/16-18
24	19171912	Washer 17/32 X 1-3/16 X 12 Ga
25	127018X	Bolt Shoulder 5/16-18 X 62

NOTE: All component dimensions given in U.S. inches
1 inch = 25.4 mm

REPAIR PARTS

TRACTOR- -MODEL NO. 917.250420

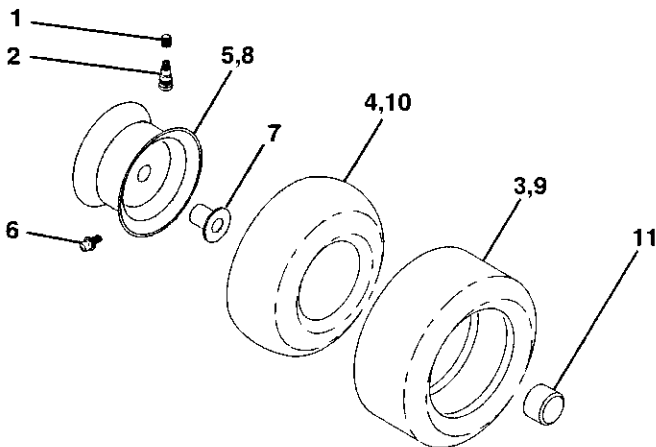
DECALS



KEY NO.	PART NO.	DESCRIPTION
1	140837	Decal Brake Parking Saddle
2	159736	Decal Chassis Hot Muffler
5	176450	Decal, Hp Engine
6	126187X	Decal Certification
7	171704	Decal, Hood
8	145437	Decal CE
9	163204	Decal, Fender Craftsman
10	145498	Decal Read Owners Manual
12	146046	Decal, V-belt Dr Sch
13	177109	Decal, Dash, Panel

KEY NO.	PART NO.	DESCRIPTION
14	136832	Decal, V-belt Schematic
15	145494	Decal Cut Finger
16	159737	Decal Brake/Clutch
20	145005	Decal, Battery Dngr/Psn Eng
--	162598	Decal Drawbar Load Limit
--	138311	Decal, Lift Handle
--	165800X428	Pad, Footrest LH STLT
--	165799X428	Pad, Footrest RH STLT
--	177903	Manual, Oper (Euro)
--	177904	Manual, Oper (Scan)
--	177905	Manual Parts

WHEELS & TIRES



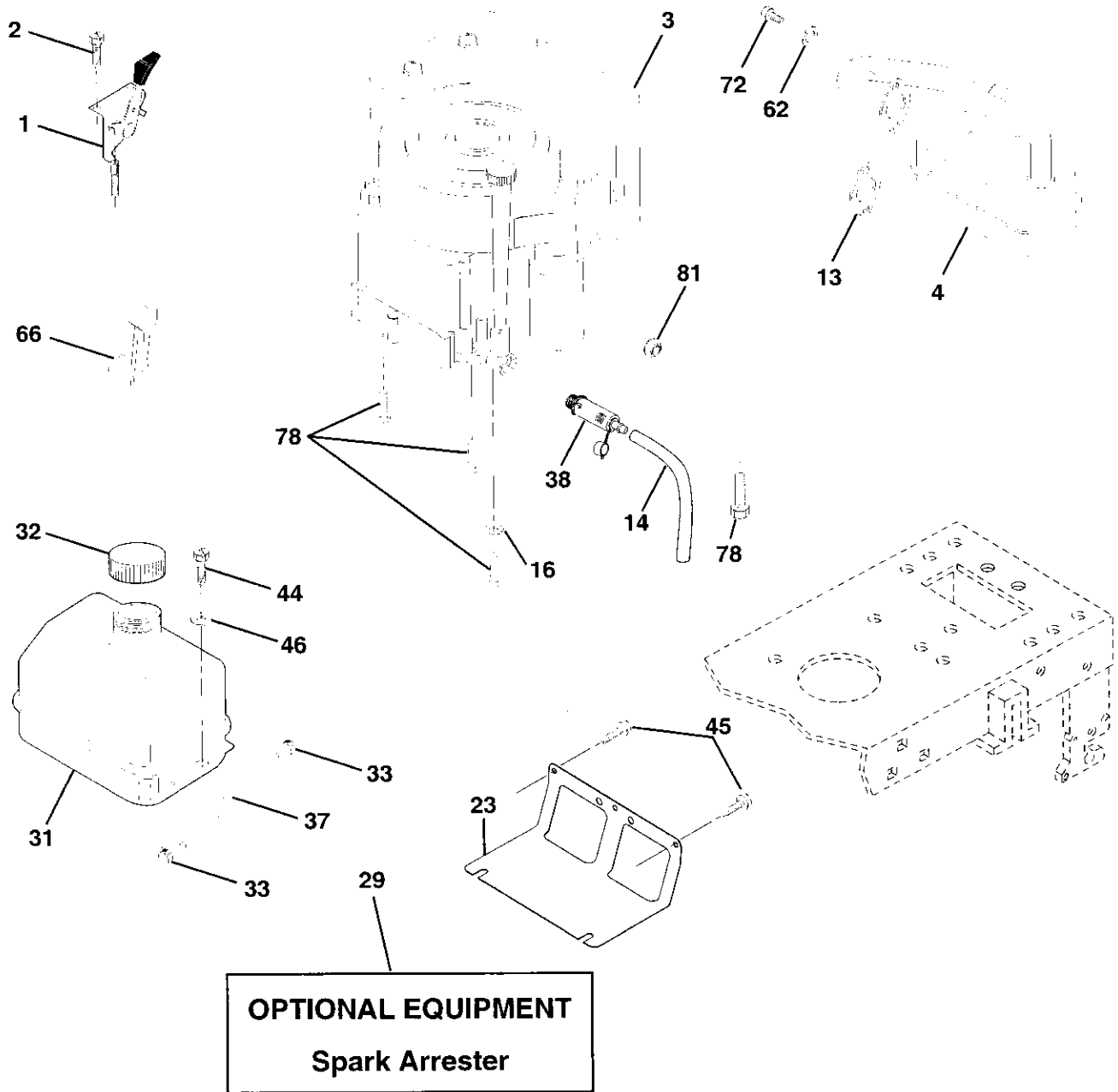
KEY NO.	PART NO.	DESCRIPTION
1	59192	Cap Valve Tire
2	65139	Stem Valve
3	106222X	Tire F Ts 15 X 6 0 - 6 Service
4	59904	Tube Inner Front #35060
5	106732X427	Rim Asm 6"front White Service
6	278H	Fitting Grease
7	9040H	Bearing Flange
8	106108X427	Rim Asm 8"rear White Service
9	124635X	Tire R Ts 18 X 8 5-8 Service
10	7152J	Tube Rear 9 5 X 8 Service
11	104757X428	Cap Axle Blk 1 50 X 1 00
--	144334	Sealant, Tire (10 oz. tube)

NOTE: All component dimensions given in U.S. inches
1 inch = 25.4 mm

REPAIR PARTS

TRACTOR- -MODEL NO. 917.250420

ENGINE



REPAIR PARTS

TRACTOR- -MODEL NO. 917.250420

ENGINE

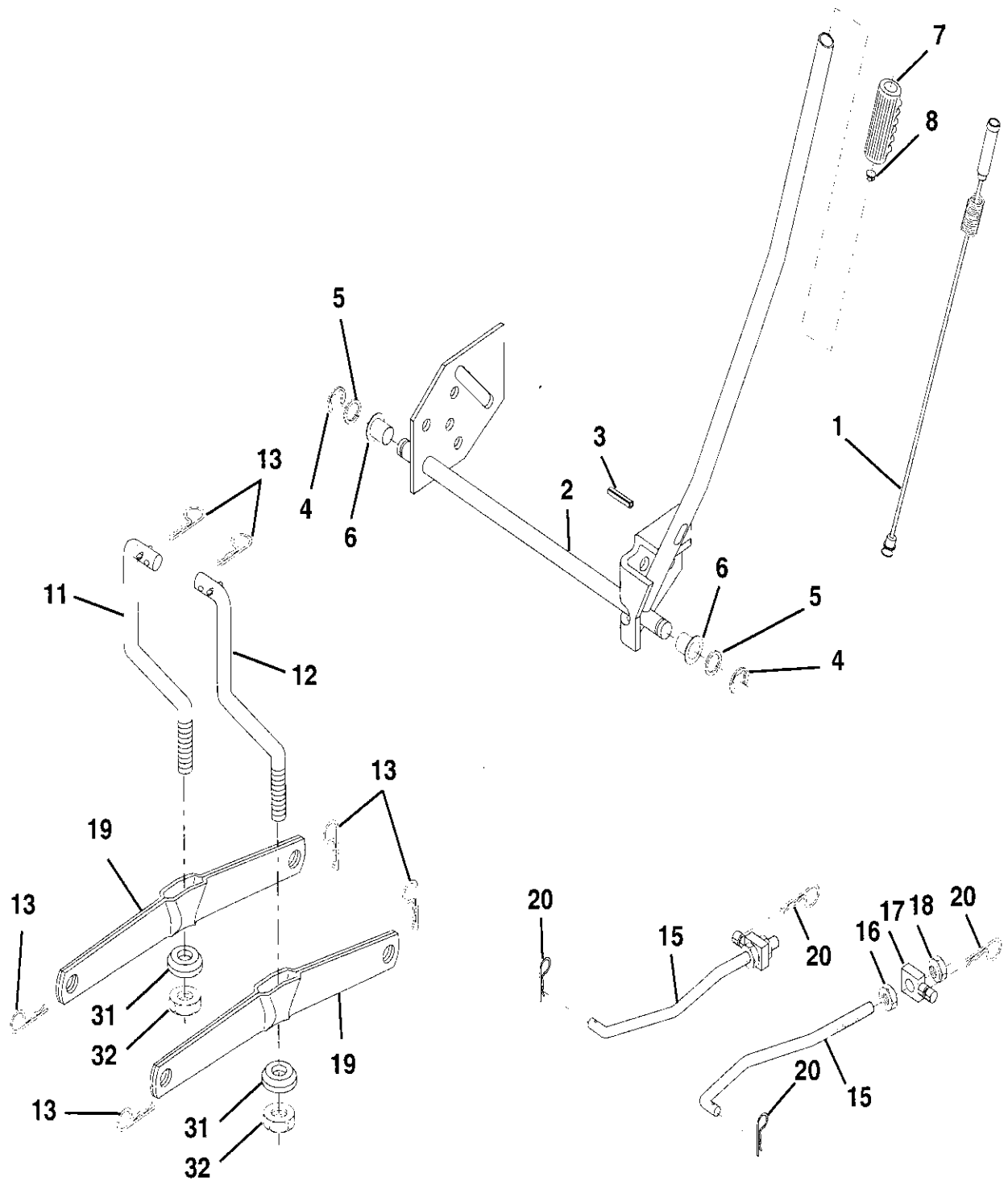
KEY NO.	PART NO.	DESCRIPTION
1	170549	Control Throttle/Choke
2	17720410	Screw Hex Thd Cut 1/4-20x5/8 T
3	-----	Engine (See Breakdown) Briggs Model 28R707-1147-E1
4	137348	Muffler
13	165291	Gasket 1 313 Id Tin Plated
14	148456	Tube Drain Oil
16	STD551237	Washer Lock Ext Tooth 3/8
23	169837	Shield BRN/DBR Guard
29	137180	Arrestor Spark
31	109202X	Tank Fuel 1 25 Fr
32	158990	Cap Asm Fuel W/sym Vented
33	123487X	Clamp Hose Bik
37	137040	Line Fuel 20"
38	148315	Plug Oil Drain
40	124028X	Bushing Snap Nyl Bik Fuel Line
44	17670412	Screw Hexwsh Thdrol 1/4-20x3/4
45	17000612	Screw Hexwsh Thdr 3/8-16 x 3/4
46	19091416	Washer 9/32 X 7/8 X 16ga
62	STD551131	Washer Lock Hvy Hlcl Spr 5/16
66	127951	Stop Throttle
72	71070512	Screw Hexhd Cap 5/16-18x3/4
78	17060620	Screw 3/8-16x1-1/4
81	73510400	Nut Keps Hex 1/4-20unc

NOTE: All component dimensions given in U.S. inches
1 inch = 25.4 mm

REPAIR PARTS

TRACTOR- -MODEL NO. 917.250420

MOWER LIFT



REPAIR PARTS

TRACTOR- -MODEL NO. 917.250420

MOWER LIFT

KEY NO.	PART NO.	DESCRIPTION
1	159460	Washer Asm Inner Spring W/ Plunger
2	159471	Shaft Asm. Lift RH
3	105767X	Pin Groove
4	12000002	E Ring #5133-62
5	19211621	Washer 21/32 x 1 x 21 Ga.
6	120183X	Bearing Nylon
7	125631X	Grip Handle Fluted
8	122365X	Button Plunger Read
11	139865	Link Asm Lift L.H.
12	139866	Link Asm Lift R.H.
13	STD624008	Retainer Spring
15	173288	Link Front
16	73350800	Nut Jam Hex 1/2-13 Unc
17	130171	Trunnion Blk Zinc
18	73800800	Nut Lockw/wsh 1/2-13 Unc
19	139868	Arm Suspension Mower
20	163552	Retainer Spring
31	169865	Bearing, Pvt. Lift.
32	73540600	Nut Crownlock 3/8-24

NOTE: All component dimensions given in U.S. inches
1 inch = 25.4 mm

