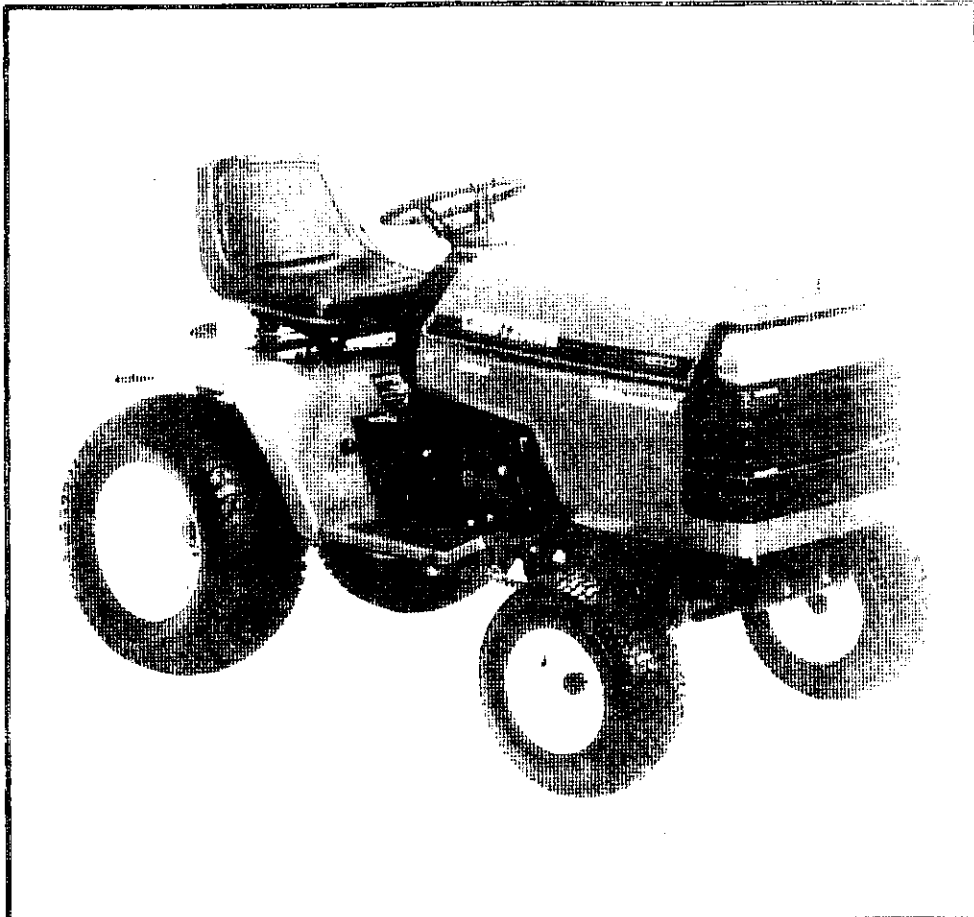


SEARS
OWNER'S
MANUAL

MODEL NO.
917.250050

Caution:
Read and follow
all Safety Rules
and Instructions
Before Operating
This Equipment



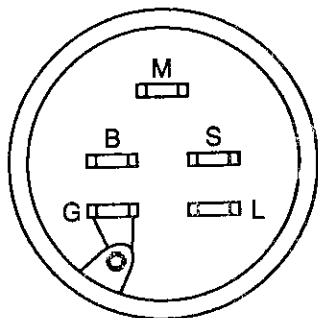
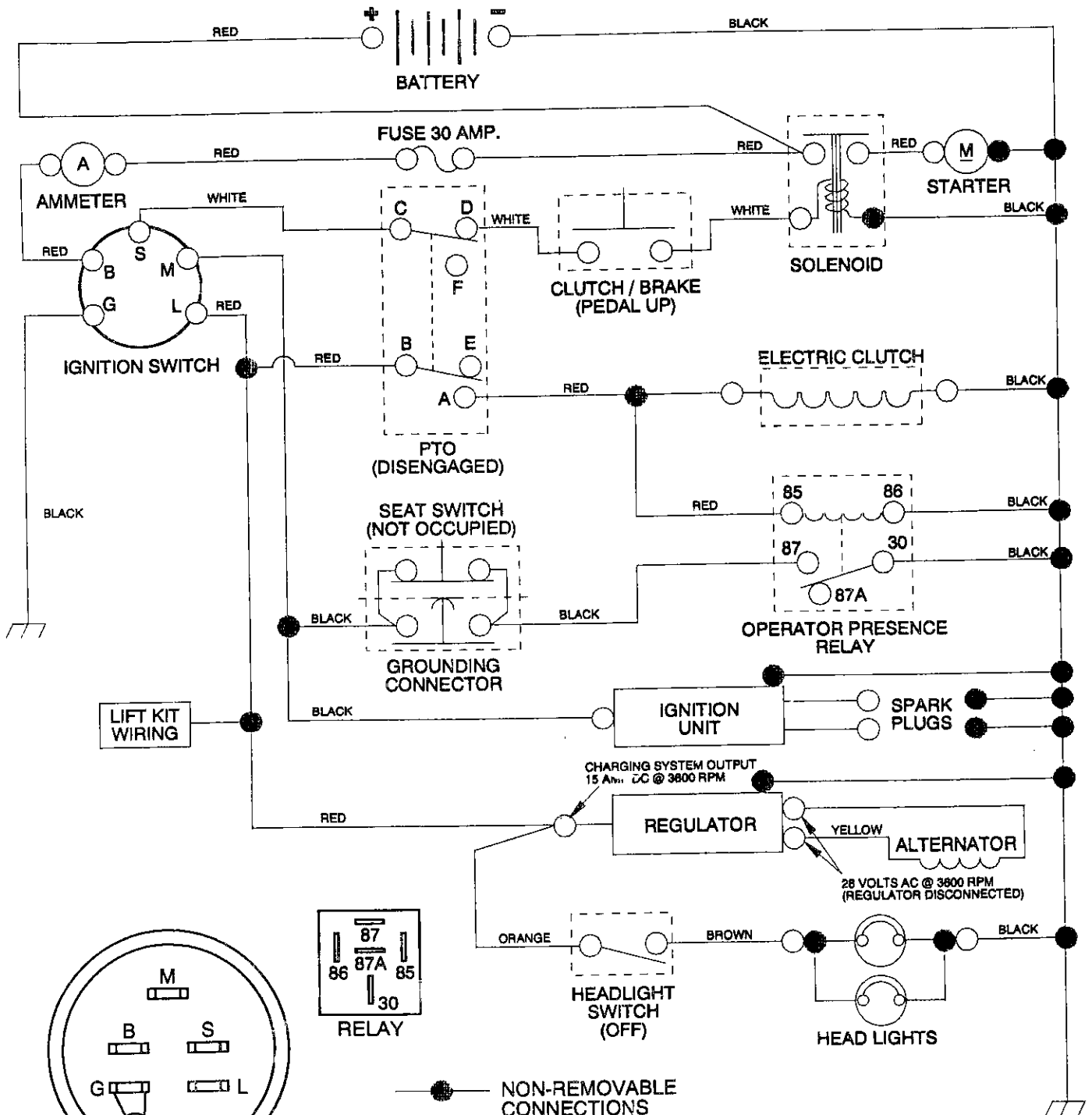
CRAFTSMAN[®]

**20 HP IC
ELECTRIC START
6 SPEED TRANSAXLE
GARDEN TRACTOR**

- Assembly
- Operation
- Customer Responsibilities
- Service and Adjustments
- Repair Parts

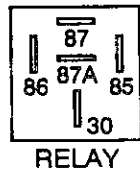
20 HP TRACTOR - - MODEL NUMBER 917.250050

SCHEMATIC



IGNITION SWITCH

POSITION	CIRCUIT
OFF	M + G
ON	B + L
START	B + S

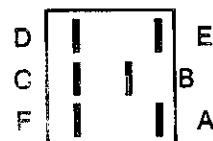


RELAY

- NON-REMOVABLE CONNECTIONS
- REMOVABLE CONNECTIONS

WIRING INSULATED CLIPS
 NOTE: IF WIRING INSULATED CLIPS WERE REMOVED FOR SERVICING OF UNIT, THEY SHOULD BE REPLACED TO PROPERLY SECURE YOUR WIRING

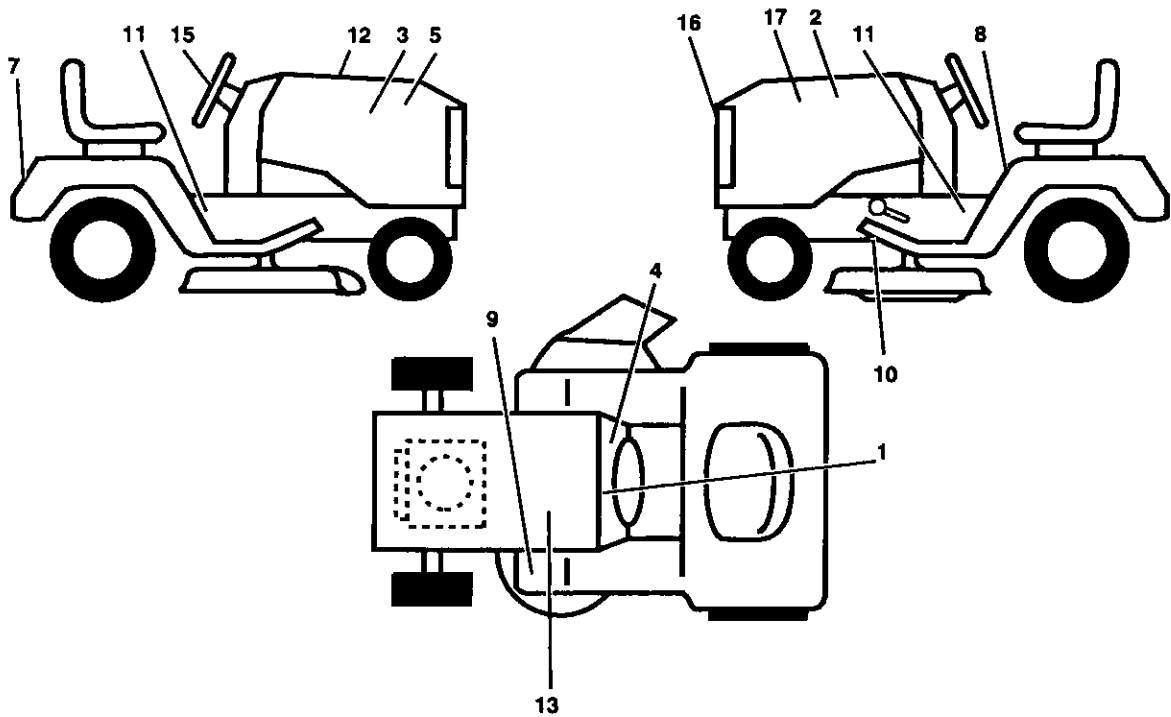
PTO SWITCH	
POSITION	CIRCUIT
OFF	B + E, C + D
ON	B + A, C + F



REPAIR PARTS

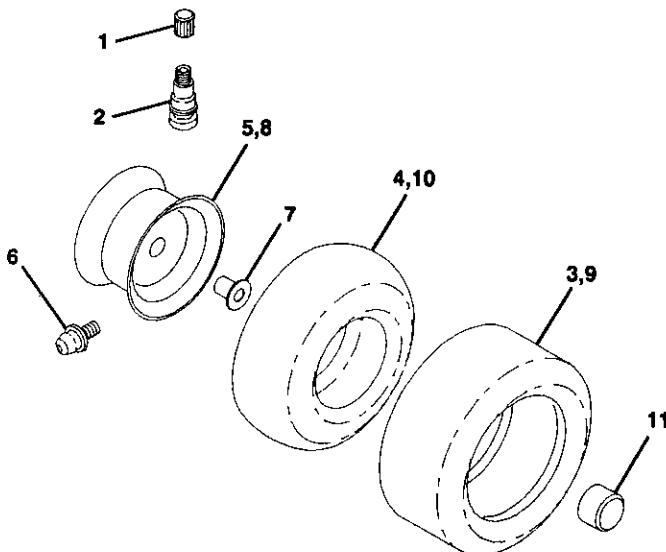
20 HP TRACTOR - - MODEL NUMBER 917.250050

DECALS



KEY PART NO.	NO.	DESCRIPTION	KEY PART NO.	NO.	DESCRIPTION
1	136794	Decal, Dash, Operating Instructions	9	4900J	Decal, Clutch/Brake
2	128491	Decal, Hood, Stripe, L.H.	10	131283	Decal, V-Belt, Drive
3	138292	Decal, Hood, Stripe, R.H.	11	130860	Decal, Chassis, Speed/Deck Size
4	138834	Decal, YT/GT Dash	12	133644	Decal, Maint. Cust. Sears
5	133354	Decal, Side Panel, R.H.	13	138047	Decal, Battery
7	128314	Decal, Fender	15	132265	Decal, Steering Wheel Insert
8	137537	Decal, Caution	16	132270	Decal, Grill, Stripe
			17	138048	Decal, Side Panel, L.H.
			--	137743	Manual, Owner's

WHEELS & TIRES



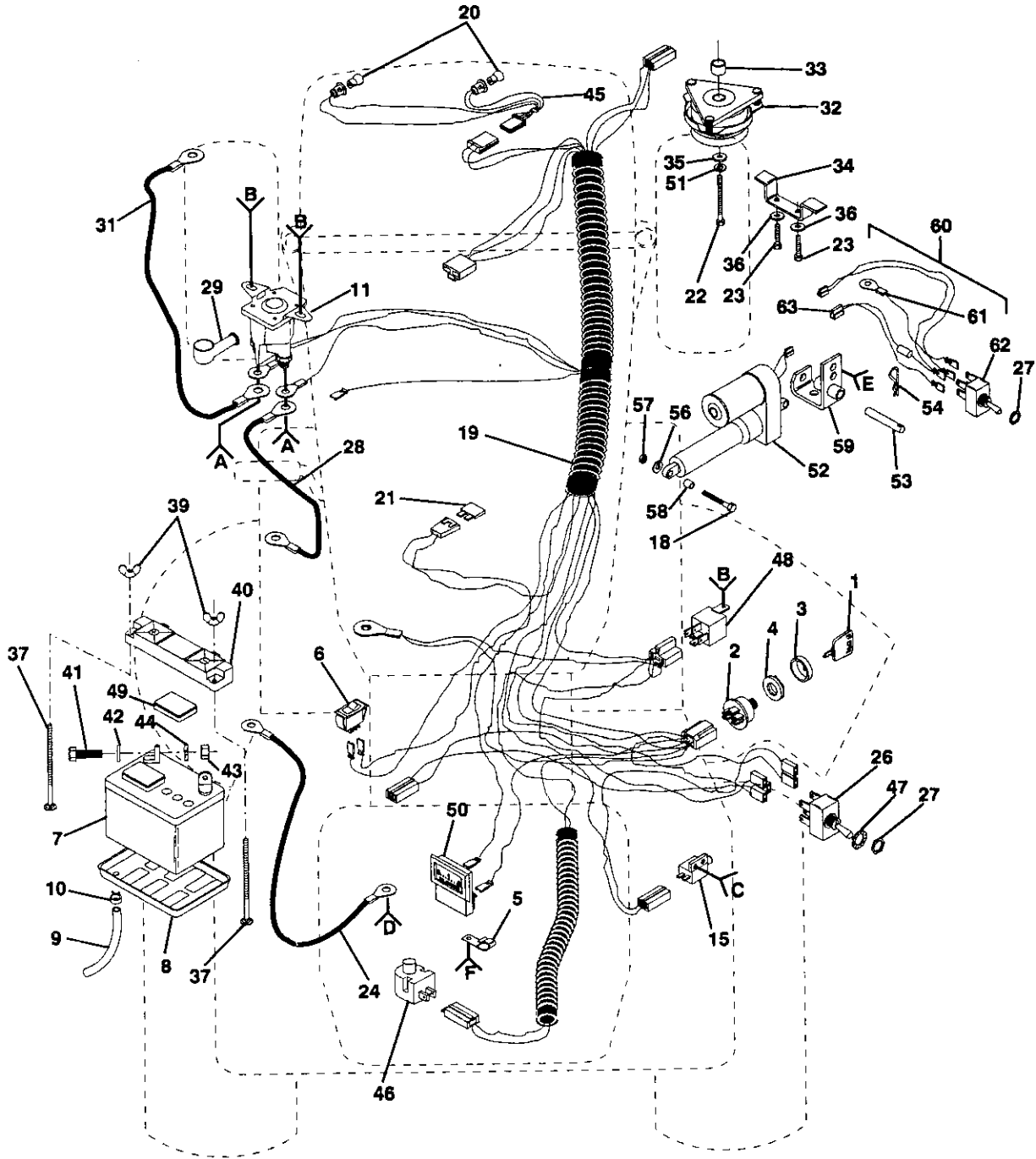
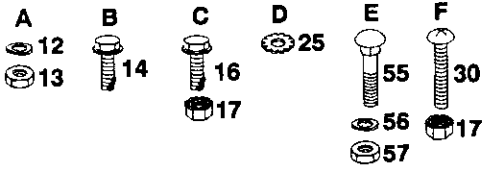
KEY PART NO.	NO.	DESCRIPTION
1	59192	Cap, Valve
2	65139	Stem, Valve
3	105588X	Tire, Rear
4	7154J	Tube, Rear Tire (Optional, Service Item Only)
5	3635R	Rim Assembly, Rear
6	278H	Fitting, Grease (Front Only)
7	9040H	Bearing, Flange (Front Only)
8	122974X	Rim Assembly, Front
9	106230X	Tire, Front
10	8134H	Tube, Front Tire (Optional, Service Item Only)
11	104757X	Cover, Axle

NOTE: All component dimensions given in U.S. inches
1 inch = 25.4 mm

REPAIR PARTS

20 HP TRACTOR - - MODEL NUMBER 917.250050

ELECTRICAL



REPAIR PARTS

20 HP TRACTOR - - MODEL NUMBER 917.250050

ELECTRICAL

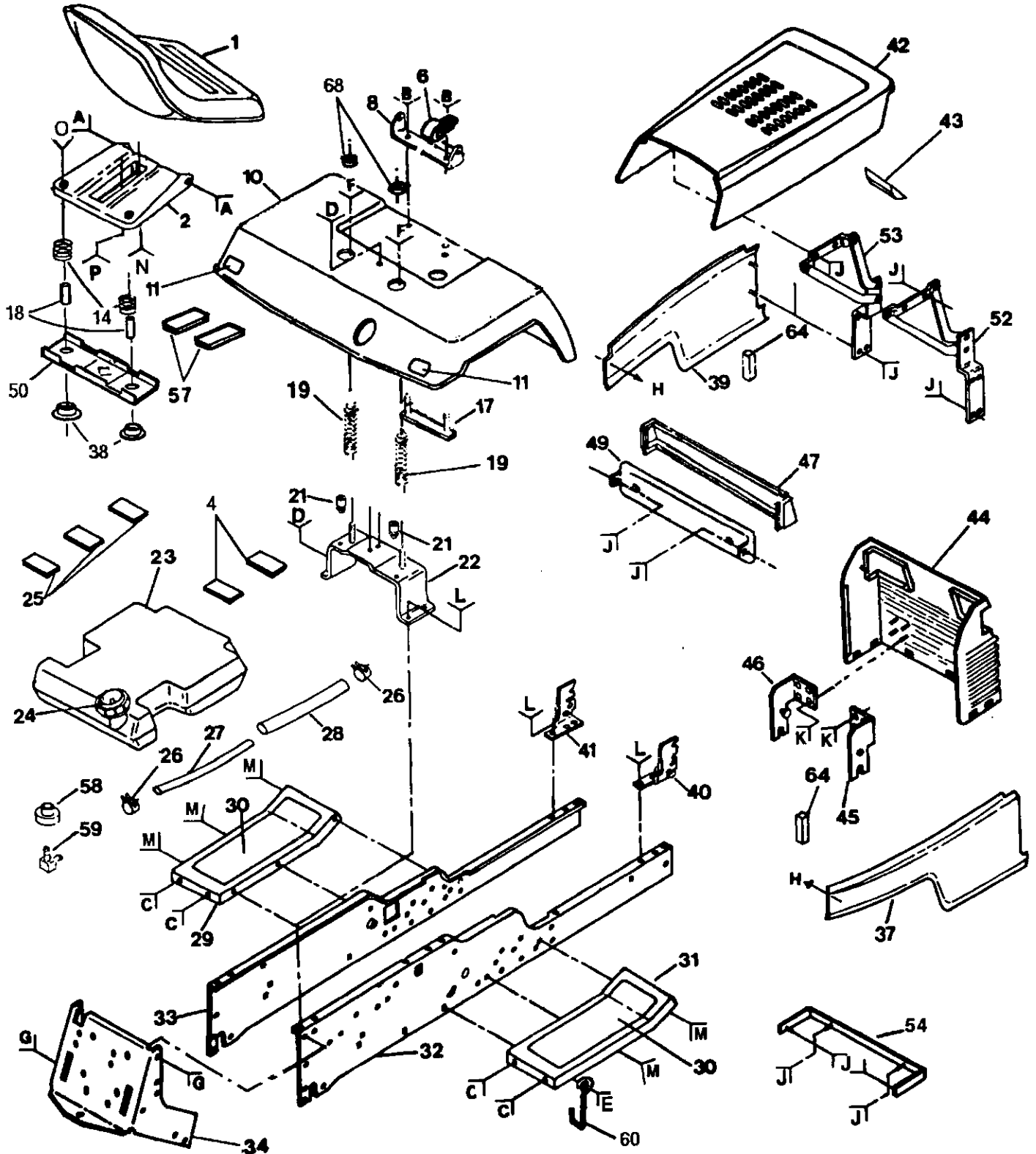
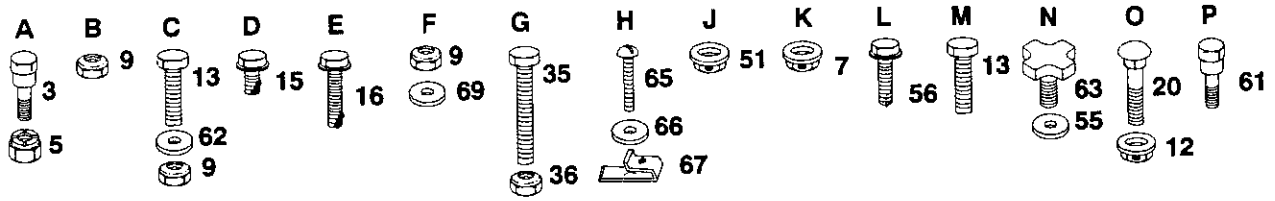
KEY PART NO. NO.	DESCRIPTION	KEY PART NO. NO.	DESCRIPTION
1 109310X	Key	33 128224	Spacer, Clutch
2 STD365402	Switch, Ignition	34 110882X	Stop, Clutch
3 123620X	Cover, Key Switch	35 126197X	Washer 1-1/2 x 15/32 x .250
4 124211X	Nut, Ignition	36 STD551137	Washer, Lock 3/8
5 4171R	Clip	37 72240460	Bolt, Carriage 1/4-20 x 7-1/2
6 110712X	Switch, Light	39 123198X	Nut, Wing 1/4-20
7 121537X	Battery	40 102476X	Guard, Terminal
8 7603J	Tray, Battery	41 STD522507	Bolt, Hex Head 1/4-20 x 3/4
9 7697J	Tube, Battery Drain	42 STD551025	Washer 9/32 x 5/8 x 16 Gauge
10 109596X	Clamp, Hose	43 STD541025	Nut, Hex 1/4-20
11 138406	Solenoid	44 STD551125	Washer, Lock 1/4
12 10090400	Washer, Lock 1/4	45 136850	Harness, Light Socket (Includes Key #20)
13 STD541225	Nut, Hex, Jam 1/4-20	46 121305X	Switch, Plunger
14 17190408	Screw, Hex Washer Head, Thread Cutting 1/4-20 x 1/2	47 19171216	Washer 17/32 x 3/4 x 16 Gauge
15 104445X	Switch, Interlock	48 109748X	Relay, Operator Presence
16 71031008	Screw, Hex Washer Head #10-32 x 1/2	49 121264X	Cap Set, Battery
17 73951000	Nut, Hex, Keps #10-32	50 122822X	Ammeter
18 74520636	Bolt, Hex 3/8-16 x 2-1/4 Grade 5	51 10040700	Washer, Lock, Heavy Helical Spring 7/16
19 139207	Harness, Ignition	52 124371X	Actuator, Electric
20 4152J	Bulb, Headlight	53 7085J	Pin, Actuator
21 108824X	Fuse	54 4940M	Retainer, Spring
22 71130724	Bolt, Hex Head, Fin. 7/16-20 UNF x 1-1/2 Grade 8	55 72110608	Bolt, Carriage 3/8-16 x 1 Grade 5
23 STD523707	Bolt, Hex Head 3/8-16 x 3/4	56 10040600	Washer, Lock Hvy Hlcl Spr 3/8
24 121080X	Cable, Ground	57 73220600	Nut, Hex 3/8-16
25 11050600	Washer, Lock, External Tooth 3/8	58 5950J	Bushing
26 4021J	Switch, P.T.O.	59 677A886	Bracket Asm. Actuator
27 4022J	Nut, Hex	60 131133	Harness Asm. Lift Switch
28 4799J	Cable, Battery	61 9698R	Ground Wire
29 131563	Cover Terminal	62 8984R	Lift Switch
30 74641008	Screw #10-32 x 1/2	63 127017X	Lift Harness
31 129458	Cable, Starter		
32 127170X	Clutch, Electric		

NOTE: All component dimensions given in U.S. inches
1 inch = 25.4 mm

REPAIR PARTS

20 HP TRACTOR - - MODEL NUMBER 917.250050

CHASSIS AND ENCLOSURES



REPAIR PARTS

20 HP TRACTOR - - MODEL NUMBER 917.250050

CHASSIS AND ENCLOSURES

KEY PART NO. NO.	DESCRIPTION	KEY PART NO. NO.	DESCRIPTION
1	127439	Seat	
2	131451	Pan, Seat	
3	105529X	Bolt, Shoulder	
4	109227X	Pad, Spacer	
5	73680500	Nut, Crownlock 5/16-18	
6	2751R	Clip	
7	120579X	Nut, Pal	
8	126656X	Bracket, Pivot, Seat	
9	73680600	Locknut 3/8-16	
10	121642X459	Fender	
11	106202X	Reflector, Taillight	
12	123976X	Nut, Hex Flange Head 1/4-20	
13	STD523707	Bolt, Hex Head 3/8-16 x 3/4	
14	121250X	Spring	
15	17490608	Screw, Hex Washer Head, Thd., Roll. 3/8-16 x 1/2	
16	17490616	Screw, Hex Washer Head, Thd., Roll. 3/8-16 x 1	
17	105511X	Strap, Fender	
18	134300	Spacer, Split	
19	124181X	Spring, Compression	
20	72050411	Bolt, Carriage 1/4-20 x 1-3/8	
21	105531X	Nut, Push	
22	105509X	Bracket, Fender	
23	127334X	Fuel Tank	
24	123549X	Cap, Fuel Tank	
25	106082X	Pad, Spacer	
26	123487X	Clamp, Hose	
27	7834R	Line, Fuel	
28	7833R	Line, Fuel	
29	105465X459	Footrest, L.H.	
30	105466X	Pad, Footrest	
31	105464X459	Footrest, R.H.	
32	138597	Rail, Frame, R.H.	
33	110893X	Rail, Frame, L.H.	
34	7982J	Drawbar	
35	74760716	Bolt, Hex Head 7/16-14 x 1	
36	73800600	Locknut 7/16-14	
37	108403X459	Side Panel, R.H.	
38	121248X	Bushing, Snap	
39	108410X459	Side Panel, L.H.	
40	130523	Bracket, Pivot, Frame, R.H.	
41	121055X	Bracket, Pivot, Frame, L.H.	
42	106013X459	Hood	
43	136532	Bumper Hood	
44	120153X	Grill	
45	108512X	Bracket, Grill Pivot, R.H.	
46	108513X	Bracket, Grill Pivot, L.H.	
47	110898X	Lens, Headlight Bar	
49	132257	Bezel	
50	121246X	Bracket, Switch	
51	108067X	Nut, Pal	
52	106091X	Hinge, R.H.	
53	106090X	Hinge, L.H.	
54	110350X459	Strap, Grill	
55	19171912	Washer 17/32 x 1-3/16 x 12 Gauge	
56	17490612	Screw, Hex Head, Thd., Roll. 3/8-16 x 3/4	
57	121251X	Strip, Foam	
58	3645J	Bushing	
59	8710J	Stem, Fuel Tank	
60	105500X	Retainer, Belt, Lower	
61	127018X	Bolt, Shoulder 5/16-18 UNC	
62	19131312	Washer 13/32 x 13/16 x 12 Gauge	
63	120068X	Knob	
64	106088X	Strip, Foam	
65	106909X	Screw, Special	
66	106910X	Washer	
67	108402X	U-Clip	
68	124238X	Cap, Spring	
69	19131614	Washer 13/32 x 1 x 14 Gauge	

NOTE: All component dimensions given in U.S. inches
1 inch = 25.4 mm

REPAIR PARTS

20 HP TRACTOR - - MODEL NUMBER 917.250050

GROUND DRIVE

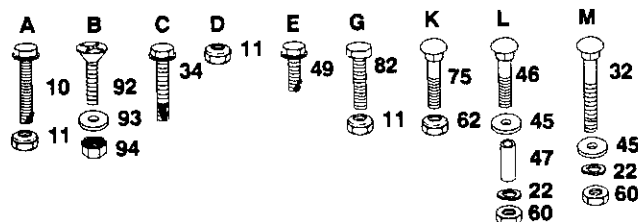
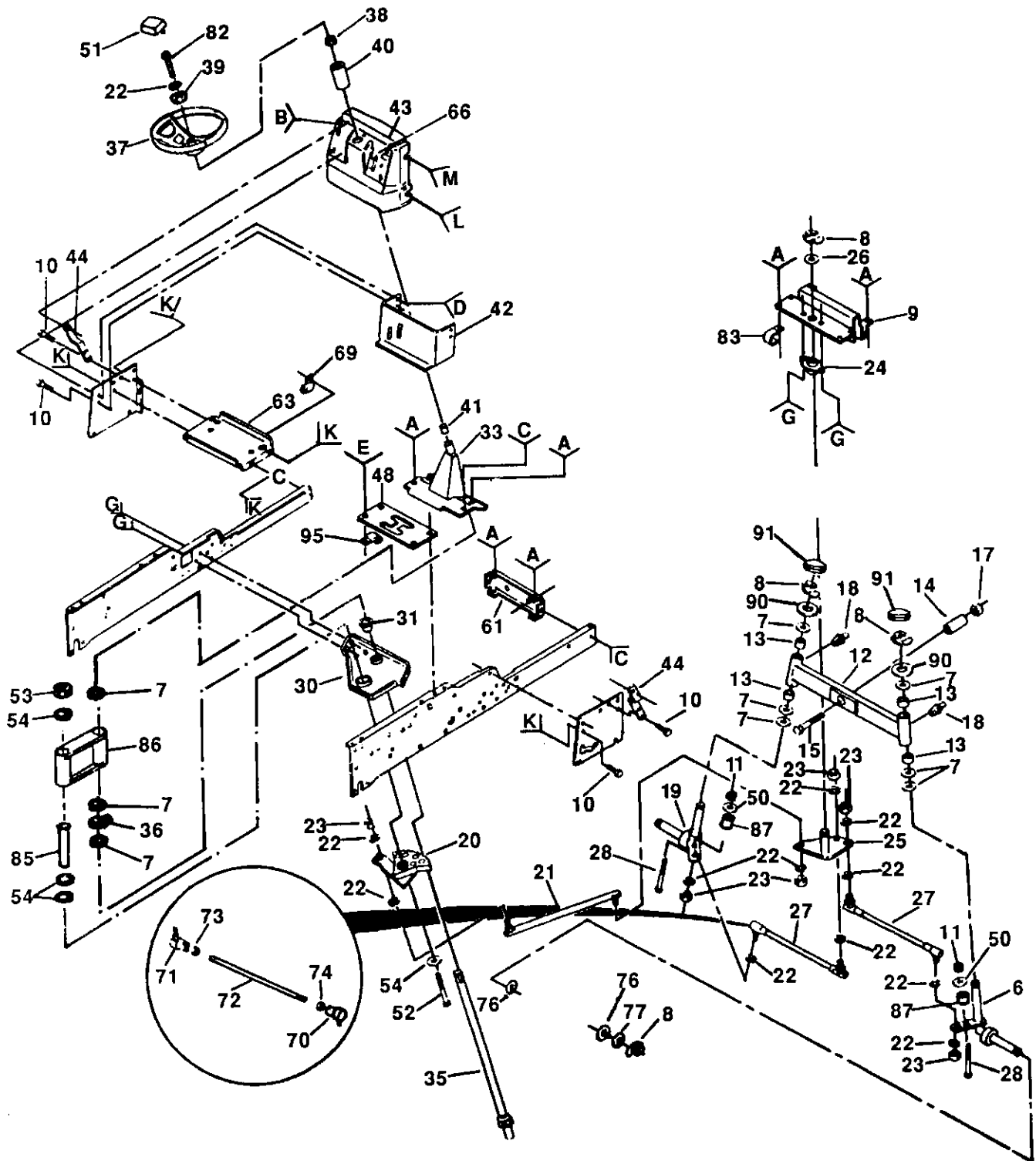
KEY PART NO.	NO.	DESCRIPTION	KEY PART NO.	NO.	DESCRIPTION
1	136327	Cover, Wheel Hub	53	73680400	Nut, Crownlock 1/4-20
2	135363	Engine, Kohler, 20 HP, Model No. M20QS, Type No. 49622	54	122253X	Rod, Shift, Hi-Lo
3	74780412	Bolt, Hex Head 1/4-20 x 3/4	55	105598X	Bracket, Shift Rod
4	19091212	Washer 9/32 x 3/4 x 12 Gauge	56	106932X	Knob
5	72140610	Bolt, Carriage 3/8-16 x 1-1/4	57	73680500	Locknut 5/16-18
6	128124	Heat Shield, Front	58	122268X	Clip, Spring, Connecting Link
7	17720408	Screw, Hex Head, Thread Cutting 1/4-20 x 1/2	59	110883X	V-Belt
8	127881	Muffler	60	120404X	Bracket, Support, Transaxle
9	108885X	Guard, Muffler	61	74760716	Bolt, Hex Head 7/16-14 x 1
10	19132616	Washer 13/32 x 1-5/8 x 16 Gauge	62	STD551143	Washer, Lock 7/16
11	STD551125	Washer, Lock 1/4	63	137524	Pulley, Transaxle
12	110867X	Base, Engine	64	9204H	Locknut 1/2-20
13	STD523707	Bolt, Hex Head 3/8-16 x 3/4	65	104375X	Shaft, Foot Pedal
14	74780624	Bolt 3/8-16 x 1-1/2	66	121749X	Washer 25/32 x 1-1/4 x 16 Gauge
15	110947X	Guard, Chaft	67	STD571812	Pin, Roll 3/16 x 1-14
16	133692	Spacer Plate, Engine Mounting	68	104601X	Bracket, Interlock
17	73680600	Locknut 3/8-16	69	132755	Control, Throttle
18	121355X	Pulley, Ground Drive	70	17720410	Screw, Hex Head, Thread Cutting 1/4-20 x 1
19	STD551137	Washer, Lock 3/8	71	132777	Control, Choke
20	19131614	Washer 13/32 x 1 x 14 Gauge	72	11050600	Washer, Lock, External Tooth 3/8
21	110895X	Nyliner	73	STD541137	Nut, Hex 3/8-24
22	132922	Kit, Spark Arrester	74	8883R	Cover, Foot Pedal
23	121063X	Bracket, V-Pulley, Mule Drive	75	677A637	Bracket, Brake
24	72140506	Bolt, Carriage 5/16-18 x 3/4	76	74370612	Screw, Machine, Undercut Flat Head 3/8-16 x 3/4
25	101344L	Pulley	77	74760614	Bolt, Hex Head 3/8-16 x 7/8
26	122825X	Bracket, Flat Idler	78	101122M	Band, Brake
27	122824X	Belt Guard, Mule Drive	79	72140405	Bolt, Carriage 1/4-20 x 5/8
28	19131612	Washer 13/32 x 1 x 12 Gauge	80	STD541025	Nut, Hex 1/4-20
29	72110614	Bolt, Carriage 3/8-16 x 1-3/4	81	7229J	Guide, Brake Rod
30	72140606	Bolt, Carriage 3/8-16 x 3/4	82	1685H	Locknut 5/16-18
31	102403X	Idler, Flat	83	STD533110	Bolt, Carriage 5/16-18 x 3/4
32	STD551037	Washer 13/32 x 13/16 x 16 Gauge	84	5308J	Rod, Brake
33	73680700	Nut, Crownlock 7/16-14	85	7241J	Spring, Compression
34	76020816	Pin, Cotter 1/4 x 1	86	73530600	Nut, Crownlock 3/8-24
35	101358K	Clutch Bracket Assembly	87	100604K	Yoke
36	121356X	Bracket, Clutch, with Bearing (Includes Key Number 98)	88	5102J	Pin, Clevis
37	207J	Washer, Hardened	89	124236X	Cap, Plunger
38	12000039	Ring, Klip	90	136284	Rod, Parking Brake
39	121361X	Idler, Grooved	91	74321016	Screw, Fin. #10-24 x 1
40	STD523715	Bolt, Hex Head 3/8-16 x 1-3/4	92	135758X431	Hub, Wheel and Bushing
41	74760620	Bolt, Hex Head 3/8-16 x 1-1/4	93	7563R	Washer, Thrust, Axle
42	121357X	Spring, Extension, Clutch	94	12000034	Ring, Klip
43	STD570907	Pin, Cotter 3/32 x 3/4	95	1304H	Bolt, Hub
44	101356L	Rod, Clutch	96	2228M	Key, Woodruff
45	104360X	Idler, Flat	97	74760720	Bolt, Hex Head 7/16-14 x 1-1/4
46	121358X	Retainer, Spring	98	105706X	Bearing, Idler
47	19131413	Washer 13/32 x 7/8 x 13 Gauge	99	9858M1	Key, Woodruff
48	121360X	Retainer, Belt	100	5304J	Actuator, Interlock Switch
49	104577X	Adapter	101	214J	Drum, Brake
50	STD523710	Bolt, Hex Head 3/8-16 x 1 Grade 5	102	STD541410	Locknut #10-24
51	17190516	Screw, Hex Head, Thread Cutting 5/16-18 x 1	103	633A109	Assembly, Gearshift Lever
52	STD522507	Bolt, Hex Head 1/4-20 x 3/4			

NOTE: All component dimensions given in U.S. inches
1 inch = 25.4 mm

REPAIR PARTS

20 HP TRACTOR - - MODEL NUMBER 917.250050

STEERING ASSEMBLY



REPAIR PARTS

20 HP TRACTOR - - MODEL NUMBER 917.250050

STEERING ASSEMBLY

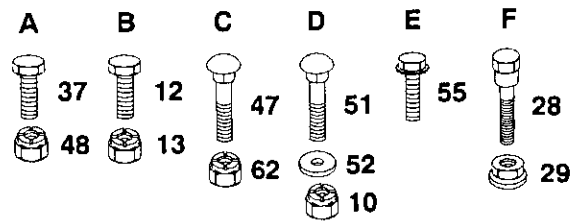
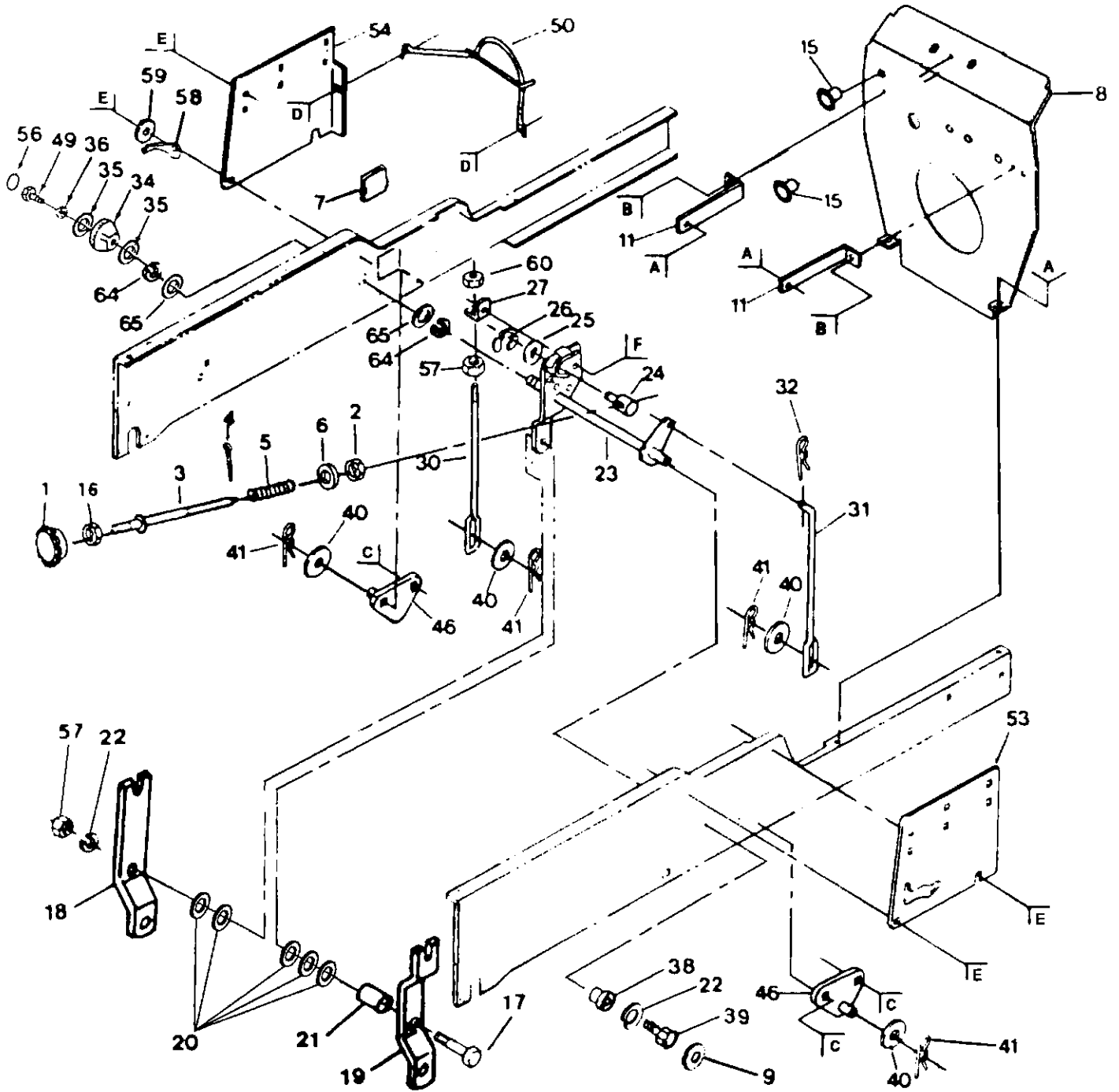
KEY PART NO. NO.	DESCRIPTION	KEY PART NO. NO.	DESCRIPTION	
6	106045X	45	19171416	Washer 17/32 x 7/8 x 16 Gauge
7	6266H	46	72110622	Bolt, Carriage 3/8-16 x 2-3/4
8	12000029	47	121235X	Spacer
9	5284J	48	106042X018	Cover, Gate, Shift
10	STD523707	49	17720408	Screw, Hex Washer Head, Thread Cutting 1/4-20 x 1/2
11	73680600	50	19131212	Washer 13/32 X 3/4 X 12 Gauge
12	137094	51	100710L	Insert, Steering Wheel
13	1309H	52	74780880	Bolt, Hex 1/2-13 x 5
14	136518	53	73680800	Nut, Crownlock 1/2-13
15	74781044	54	19172610	Washer 17/32 x 1-5/8 x 10
17	73681000	60	STD541037	Nut, Hex 3/8-16
18	6855M	61	5213J	Bracket, Frame Front
19	106046X	62	73680500	Nut, Crownlock 5/16-18
20	120424X	63	137563	Support, Battery
21	110497X	66	124557X011	Dashplate
22	STD551137	69	2751R	Clip
23	STD541137	70	109850X	Joint, Tie Rod, R.H. Thread
24	5292J	71	109851X	Joint, Tie Rod, L. H. Thread
25	108137X	72	7919J	Rod, Tie
26	19292016	73	73700600	Nut, Hex, Jam 3/8-24 L.H.
27	109849X	74	STD541337	Nut, Hex, Jam 3/8-24 R.H.
28	74520628	75	STD533107	Bolt, Carriage 5/16-18 x 3/4
30	102439X	76	121749X	Washer 13/32 x 1-1/4 x 16 Gauge
31	104239X	77	121748X	Washer 25/32 x 1-1/4 x 16 Gauge
32	72110608	82	STD523710	Bolt, Hex 3/8-16 x 1 Grade 5
33	101274N	83	100207K	Clip 3/8
34	17490612	85	120199X	Tube
35	102458X	86	121177X	Collar
36	12000034	87	101496X	Spacer, Split
37	121021X	90	121748X	Washer 25/32 x 1-5/8 x 16 Gauge
38	100711L	91	121232X	Cap, Spindle
39	19133808	92	74180412	Screw, Machine 1/4-20 x 3/4
40	121050X	93	19091216	Washer 9/32 x 3/4 x 16 Gauge
41	9038R	94	73510400	Nut, Hex, Keps 1/4-20
42	105519X	95	4171R	Clip
43	120028X			
44	105525X			

NOTE: All component dimensions given in U.S. inches.
1 inch = 25.4 mm

REPAIR PARTS

20 HP TRACTOR - - MODEL NUMBER 917.250050

LIFT ADJUSTMENT



REPAIR PARTS

20 HP TRACTOR - - MODEL NUMBER 917.250050

LIFT ADJUSTMENT

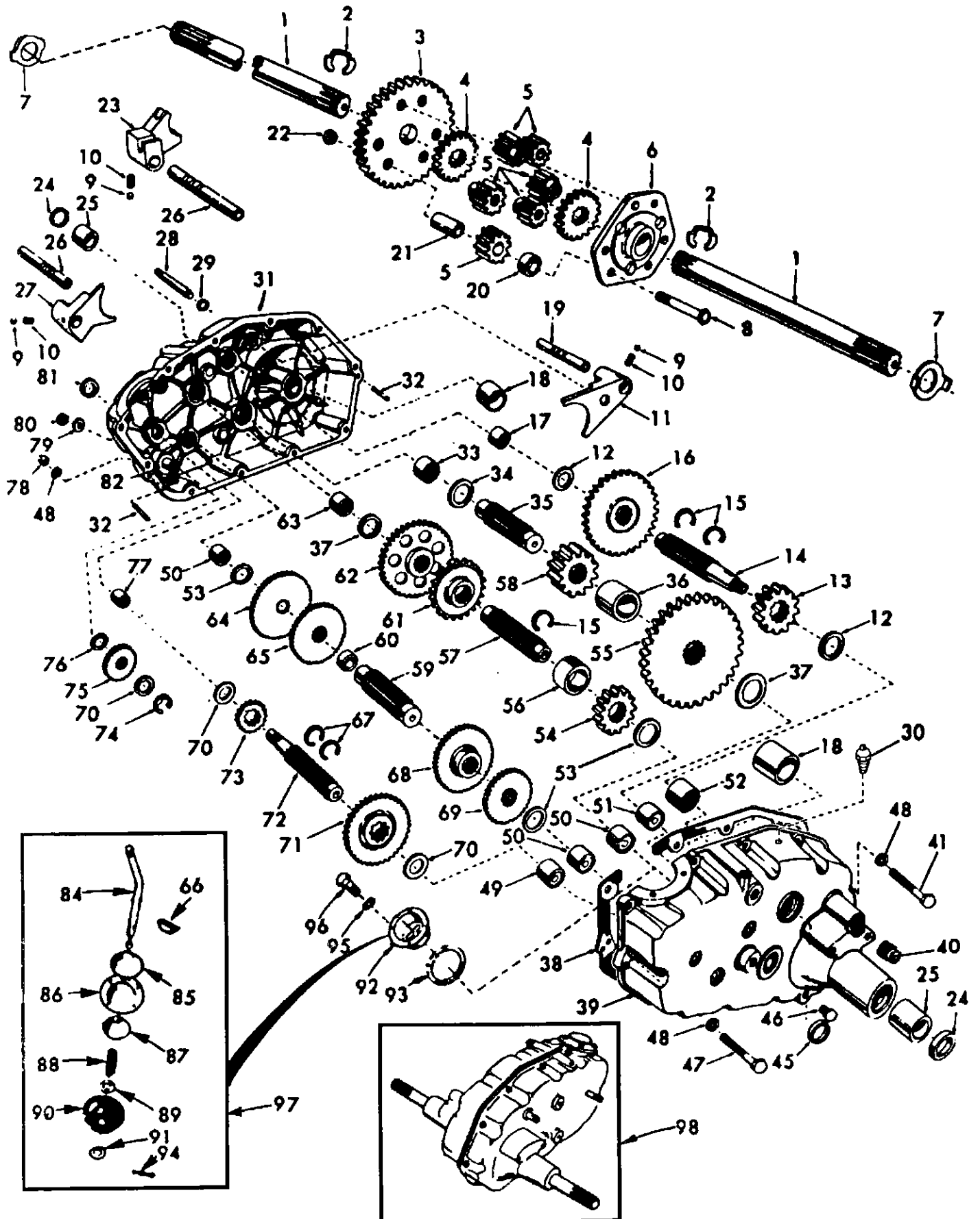
KEY PART NO. NO.	DESCRIPTION
1 138057	Knob, Inf 3/8-16
2 110807X	Nut, Special
3 110811X	Rod, Adjust, Lift
4 STD570907	Pin, Cotter 3/32 x 1/2
5 2876H	Spring
6 19131016	Washer 13/32 x 5/8 x 16 Gauge
7 121794X	Cover, Access
8 127808	Shield, Heat, Rear
9 109412X	Cap, Spring
10 STD541431	Nut, Crownlock 5/16-18
11 128278	Brace, Heat Shield
12 STD522505	Bolt, Hex 1/4-20 x 1/2 Grade 5
13 73680400	Nut, Crownlock 1/4-20
15 110436X	Grommet, Split
16 STD541237	Nut, Hex, Jam 3/8-16 UNC
17 74520628	Bolt 3/8-16 x 1-3/4 Grade 5
18 5948J	Bracket, Lift, LH
19 5947J	Bracket, Lift, RH
20 19172410	Washer 17/32 x 1-1/2 x 10 Gauge
21 5949J	Tube .384 x 1-1/2 x 15/16
22 STD551137	Washer, Lock 3/8
23 124217X	Shaft, Lift
24 110810X	Trunnion, Depth Stop
25 19151216	Washer 15/32 x 3/4 x 16 Gauge
26 12000037	Klip Ring
27 7594J	Bracket, Lift, LH
28 7901J	Bolt, Shoulder
29 STD541237	Nut, Hex, Flange 1/4-20
30 7596J	Link, Lift, LH
31 105503X	Link, Lift, RH
32 4939M	Retainer, Spring
34 123934X	Scale, Height Indicator
35 19112410	Washer 11/32 x 1-1/2 x 10 Gauge
36 STD551131	Washer, Lock
37 STD523107	Bolt, Hex Head 5/16-18 x 3/4
38 105624X	Hub, Lift Shaft
39 STD523710	Bolt, Hex Head 3/8-16 x 1
46 105501X	Bracket, Suspension, Mower
47 STD533707	Bolt, Carriage 3/8-16 x 3/4
48 STD541431	Nut, Crownlock 3/8-16
49 74780516	Bolt, Hex Head 5/16-18 x 1
50 126651X	Guard, Belt, Engine
51 STD533110	Bolt, Carriage 5/16-18 x 1
52 19111610	Washer 11/32 x 1 x 10 Gauge
53 121045X	Panel, Side, RH
54 121046X	Panel, Side, LH
55 17490608	Bolt, Hex Washer Head, Thd., Roll. 3/8-16 x 1/2
56 123935X	Plug, Hole
57 STD541037	Nut, Hex 3/8-16
58 123933X505	Pointer, Height Indicator
59 120529X	Washer, Nylon .44 x .75 x .032
60 STD541437	Locknut, Hex, Washer Insert 3/8-16
62 STD541437	Nut, Centerlock 3/8-16
64 12000022	E-Ring
65 19292016	Washer 29/32 x 1-1/4 x 16 Gauge

NOTE: All component dimensions given in U.S. inches.
1 inch = 25.4 mm

REPAIR PARTS

20 HP TRACTOR - - MODEL NUMBER 917.250050

TRANSAXLE



REPAIR PARTS

20 HP TRACTOR - - MODEL NUMBER 917.250050

TRANSAXLE

KEY PART NO.	NO.	DESCRIPTION	KEY PART NO.	NO.	DESCRIPTION
1	4197R	Axle Shaft	51	1529R	Needle Bearing
2	12000034	Retaining Ring	52	8119M	Needle Bearing
3	4199R	Final Drive Gear	53	4220R	Thrust Bearing Race
4	4216R	Differential Gear	54	4209R	3rd Reduction Pinion, Low
5	4215R	Differential Pinion	55	4213R	4th Reduction Gear
6	4217R	Differential Carrier	56	4442R	3rd Reduction Pinion Spacer
7	6256H	Axle Thrust Washer	57	4195R	2nd Reduction Gear Shaft
8	74020652	Bolt, Hex Head 3/8-24 x 3-1/4 (1" Thread Length)	58	4214R	Final Drive Pinion
9	7392M	Steel Ball	59	4194R	1st Reduction Gear Shaft
10	137261	Spring Shift Fork Detent	60	7528R	1st Reduction Shaft Spacer
11	4985R	Shift Fork, High-Low Range	61	4208R	3rd Reduction Pinion High
12	6266H	Thrust Bearing Race	62	4207R	2nd Reduction Gear
13	4212R	4th Reduction Pinion	63	7398H	Needle Bearing
14	4196R	3rd Reduction Gear Shaft	64	4203R	Low Speed Gear and 2nd Reduction Pinion Cluster
15	6276H	Snap Ring, Crescent Type	65	4204R	Reverse Gear
16	633A63	High-Low Range Gears	66	2898J	Key, Hi-Pro 1/8 x 17/32
17	8118M	Needle Bearing	67	4926H	Snap Ring, Crescent Type
18	8740H1	Sintered Iron Bearing	68	4205R	Intermediate Speed Gear
19	122238X	Shift Fork Shaft, High-Low Range	69	4206R	High Speed Gear
20	4218R	Differential Pinion Spacer	70	1370H	Thrust Bearing Race
21	6252H1	Differential Pinion Bushing	71	633A69	Intermediate and High Speed Cluster Pinions
22	7810H	Gripco Centerlock Nut 3/8-24	72	208J	Input Shaft
23	6262H	Shift Fork, L.H.	73	4201R	Low Speed Pinion
24	7393R	Oil Seal	74	12000002	E-Ring
25	992R1	Sintered Iron Bearing	75	1153R	Reverse Idler Gear
26	6216H	Shift Fork Shaft	76	7392H	Reverse Idler Thrust Washer
27	4986R	Shift Fork, R.H.	77	3990H	Needle Bearing
28	122254X	Shift Shaft, High-Low Range	78	73220500	Nut, Hex 5/16-18
29	6269H	Oil Seal	79	1167R	Sealing Washer
30	5855H	Pressure Relief Valve	80	73360700	Nut, Hex, Jam 7/16-20
31	137976	Gearcase, Reverse Idler Shaft and Bearings, R.H. (Includes Key No.'s 17, 18, 25, 33, 50, 63, 76, 77 & 82)	81	6270H	Oil Seal
32	6277H	Dowel Pin	82	7384H	Reverse Idler Shaft
33	4225R	Needle Bearing	84	5384J	Gearshift Lever, Bent
34	7396H	Thrust Bearing Race	85	2978J	Gearshift Cap
35	4198R	4th Reduction Gear Shaft	86	633A85	Gearshift Ball Cover and Pin
36	4200R	4th Reduction Gear Spacer	87	8739H1	Shift Lever Guide Ball, Keyed
37	7395H	Thrust Bearing Race	88	4924H	Spring
38	121878X	Gearcase Gasket	89	19151516	Washer 15/32 x 15/16 x 16 Gauge
39	137974	Gearcase and Bearings, L.H. (Includes Key Numbers 18, 25, 49, 50 (2), 51 and 52)	90	110542X	Shift Mechanism Seal
40	13320400	Pipe Plug 1/2-14 N.P.T.	91	19181511	Washer 9/16 x 15/16 x 12 Gauge
41	74780526	Bolt, Hex 5/16-18 UNC x 1-5/8	92	75J	Gearshift Gate and Reinforcement
45	6271H	Oil Seal	93	6274H	Shift Ball Cover Gasket
46	13060200	Pipe Plug 1/4-18 N.P.T.	94	76020412	Cotter Pin 1/8 x 3/4
47	74780524	Bolt, Hex 5/16-18 x 1-1/2 Grade 5	95	10040500	Washer, Lock 5/16
48	10140500	Washer, Lock, Extra Heavy 5/16	96	74760514	Bolt, Hex Head 5/16-18 UNC x 7/8
49	4895H	Needle Bearing	97	633A109	Gearshift Lever Assembly
50	4222R	Needle Bearing	98	137982	Transaxle Assembly (Less Brake Drum and Shift Lever)

NOTE: All component dimensions given in U.S. inches
1 inch = 25.4 mm