

**SEARS**

**OWNER'S  
MANUAL**

**MODEL NO.  
536.257670**

**Caution:**  
Read and follow  
all Safety Rules  
and Instructions  
Before Operating  
This Equipment

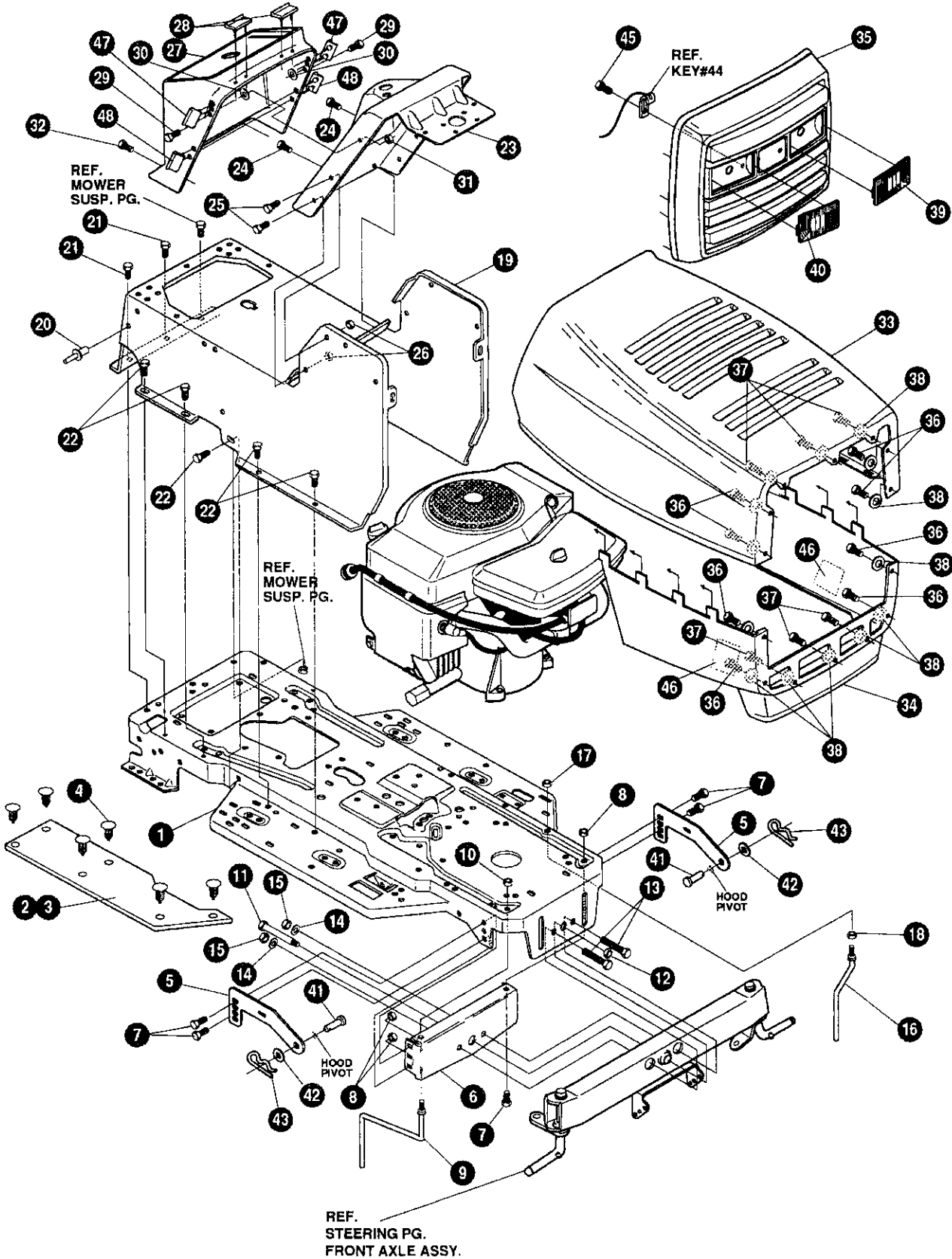


**CRAFTSMAN<sup>®</sup>**  
**15.0 HP TWIN CYLINDER**  
**ALL-WHEEL STEER**  
**43" MOWER DECK**  
**6-SPEED TRANSAXLE**  
**LAWN TRACTOR**

- Assembly
- Operation
- Customer Responsibilities
- Service and Adjustment
- Repair Parts

# CRAFTSMAN 43" LAWN TRACTOR MODEL 536.2576700

## CHASSIS & HOOD ASSEMBLY



**NOTE:** ALWAYS USE ORIGINAL EQUIPMENT PARTS. Use of service/replacement parts other than original equipment parts may void your warranty.

**ALL UNNUMBERED ITEMS ARE INTERCHANGEABLE WITH OPPOSITE SIDE**

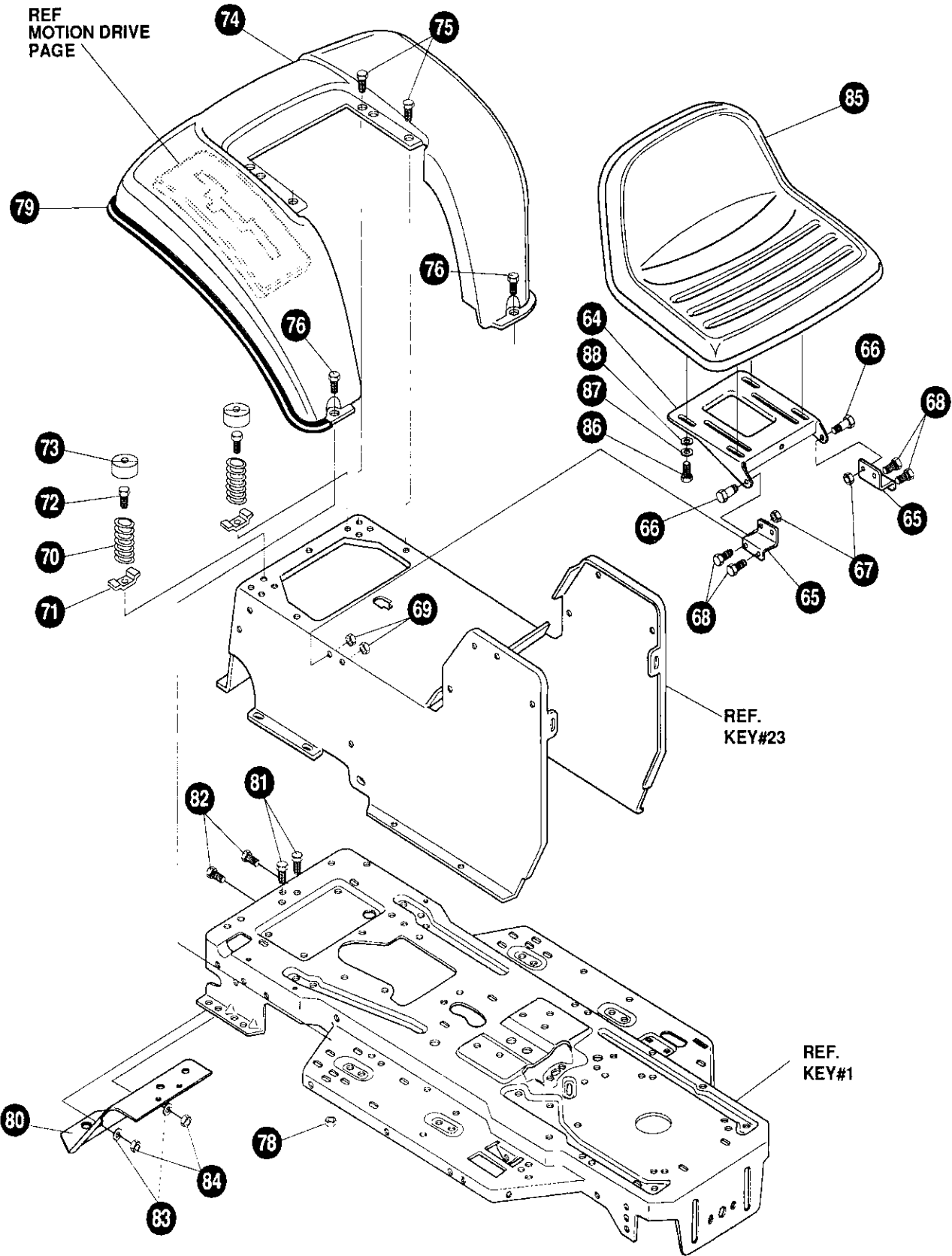
333142B

# CRAFTSMAN 43" LAWN TRACTOR MODEL 536.2576700

KEY#	PART#	DESCRIPTION	QTY
1	326580-854	FRAME, MAIN .....	1
2	314799	FOOT PAD, LH "P-LIFT" .....	1
3	310006	FOOT PAD, RH 22.12LG .....	1
4	309235	FASTENER, RATCHET BLACK .....	12
5	323068-853	BRACKET, GRILLE .....	2
6	313541-853	BRACKET, FRONT AXLE .....	1
7	56030	SCREW, 5/16-18X.75WDFLLK .....	5
8	55273	NUT, 5/16-18 HXWDFLLK .....	5
9	300440	GUIDE, BELT, RIDER .....	1
10	1498	NUT, 5/16-18 REGHEXCTRLK .....	1
11	308207	BOLT, .625X2.18 HSH 1/2-13 .....	1
12	309008	NUT, 1/2-13 HEXJAM CTRLK .....	1
13	180138	SCREW, 3/8-16X3.00 HHC .....	2
14	2483	WASHER, .391DX1.25DX.07 BELLVIL .....	2
15	1499	NUT, 3/8-16 REGHXCTRLK .....	2
16	300635	GUIDE, BELT SHORT 15" WHEEL .....	1
17	124824	NUT, 5/16-18 HEXJAM .....	1
18	271190	NUT, 3/8-16 HEXKEPS .....	1
19	315120-854	CONSOLE SOF P-LIFT .....	1
20	46763	RIVET, POP .187DIA X .450LG ST .....	3
21	35497	SCREW, 5/16-18X .50 WAHHTAP .....	2
22	995346	SCREW, 1/4-20X .50 WAHHTAP .....	9
23	324111-830	DASH STEEL .....	1
24	995346	SCREW, 1/4-20X .50 WAHHTAP .....	2
25	44811	SCREW, 1/4-20X .75 WAHHTAP .....	4
26	50352	NUT, 1/4-20 WDFLLK TOPLOCK .....	4
27	319718	DASH .....	1
28	321810	BUMPER, HOOD/DASH TOP .....	2
29	318139	SCREW, 1/4-20X .63PHPNHD BLACK .....	2
30	996307	WASHER, FLAT .391X1.00X.209 .....	4
31	1502	NUT, 1/4-20 REGHEXCTRLK .....	2
32	318304	SCREW, 1/4-14X.75PHPNHDTAP .....	2
33	323295	HOOD .....	1
34	323293	SKIRT, HOOD LOWER .....	1
35	333143	GRILLE .....	1
36	316043	SCREW, 10X1.0 UNSL-HWH-HILO .....	8
37	316881	SCREW, 10X.75 UNSL-HWH-HILO .....	6
38	1501	WASHER, FLAT .203X .56X.040 .....	14
39	314967	LENS LH SEARS .....	1
40	314968	LENS RH SEARS .....	1
41	323044	PIN, CLEVIS .500 X .49/.51LGTH .....	2
42	996425	WASHER, FLAT .515X .88X.064 .....	2
43	8260	PIN, HAIR .091 DIA X 1.66LG .....	2
44	328042	LANYARD, HOOD SEARS .....	1
45	49050	SCREW, 1/4-10X .75PHPNHTAPGR2BK .....	1
46	301452	FOIL, HEAT REFLECTOR .....	2
47	324491	BUMPER, HOOD/DASH SIDE TOP .....	2
48	324492	BUMPER, HOOD/DASH SIDE BOTTOM .....	4
	333342	OWNER'S MANUAL .....	1

**CRAFTSMAN 43" LAWN TRACTOR MODEL 536.2576700**

**CHASSIS & HOOD ASSEMBLY**



**NOTE: ALWAYS USE ORIGINAL EQUIPMENT PARTS.**  
Use of service/replacement parts other than original equipment parts may void your warranty.

**ALL UNNUMBERED  
ITEMS ARE INTERCHANGEABLE  
WITH OPPOSITE SIDE**

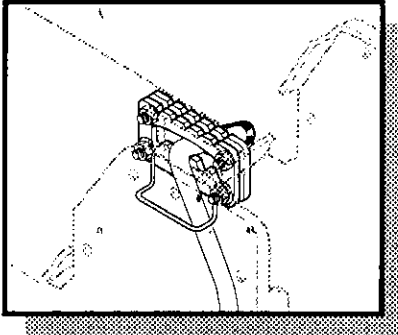
333142 A

# CRAFTSMAN 43" LAWN TRACTOR MODEL 536.2576700

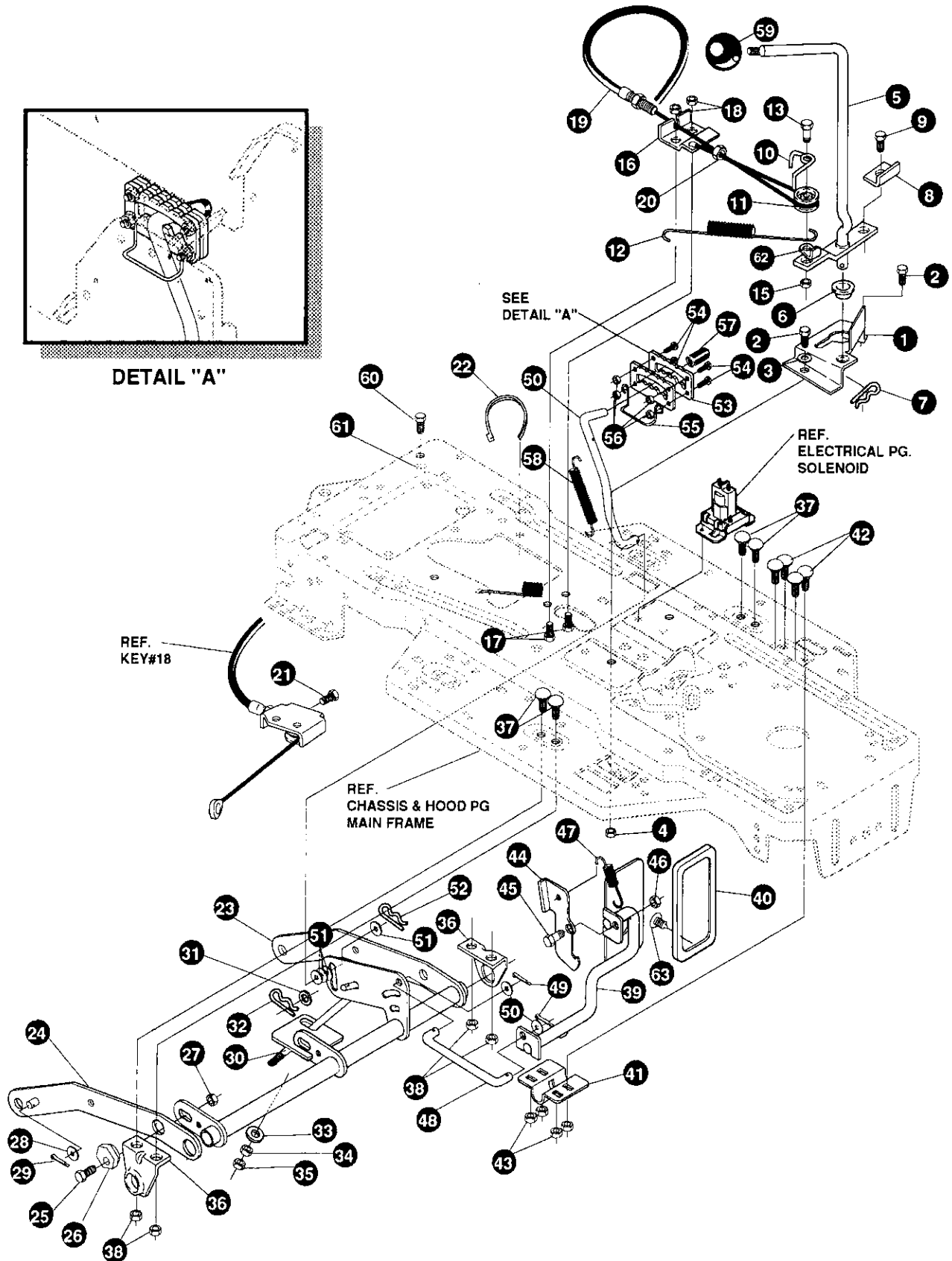
KEY #	PART #	DESCRIPTION	QTY
64	58367-854	PLATE,SEAT .....	1
65	310660-854	BRACKET, SEAT SUPPORT .....	2
66	20507	BOLT, .437X .156 HSH 5/16-18 .....	2
67	1498	NUT, 5/16-18 REGHEXCTRLK .....	2
68	48901	SCREW, 5/16-18X .63WAHHC .....	4
69	1498	NUT, 5/16-18 REGHEXCTRLK .....	4
70	57153	SPRING,SEAT 2.63LG,1.49OD BLK .....	2
71	1341	CLAMP, SPRG 1.17"ID BRZN953 .....	2
72	44811	SCREW, 1/4-20X .75 WAHTAP .....	2
73	56907	COVER,SEAT SPRING 1.5IDX1.0LG .....	2
74	308654-854	FENDER .....	1
75	995346	SCREW, 1/4-20X .50 WAHTAP .....	4
76	126358	BOLT, 5/16-18X1.00 CARRLN .....	2
78	55273	NUT, 5/16-18 HXWDFLLK .....	2
79	55023	TRIM,STRIP,BLACK—SMALL,W/ ADH .....	75 IN.
80	327061-854	HITCH,SEARS .....	1
81	48148	SCREW, 3/8-16X1.00 WAHHSPTAPPL .....	2
82	180079	SCREW, 5/16-18X1.00 HHC .....	2
83	120393	WASHER, FLAT .344X .69X.065 .....	2
84	1498	NUT, 5/16-18 REGHEXCTRLK .....	2
85	321863	SEAT V540 CRAFTSMAN W/RED TRIM .....	1
86	180077	SCREW, 5/16-18X .75 HHC .....	4
87	120638	WASHER, HVSP TLK .328X.60X.09 .....	4
88	120393	WASHER, FLAT .344X .69X.065 .....	4

**CRAFTSMAN 43" LAWN TRACTOR MODEL 536.2576700**

**MOWER SUSPENSION ASSEMBLY**



**DETAIL "A"**



**NOTE: ALWAYS USE ORIGINAL EQUIPMENT PARTS.**  
Use of service/replacement parts other than original equipment parts may void your warranty.

**ALL UNNUMBERED  
ITEMS ARE INTERCHANGEABLE  
WITH OPPOSITE SIDE**

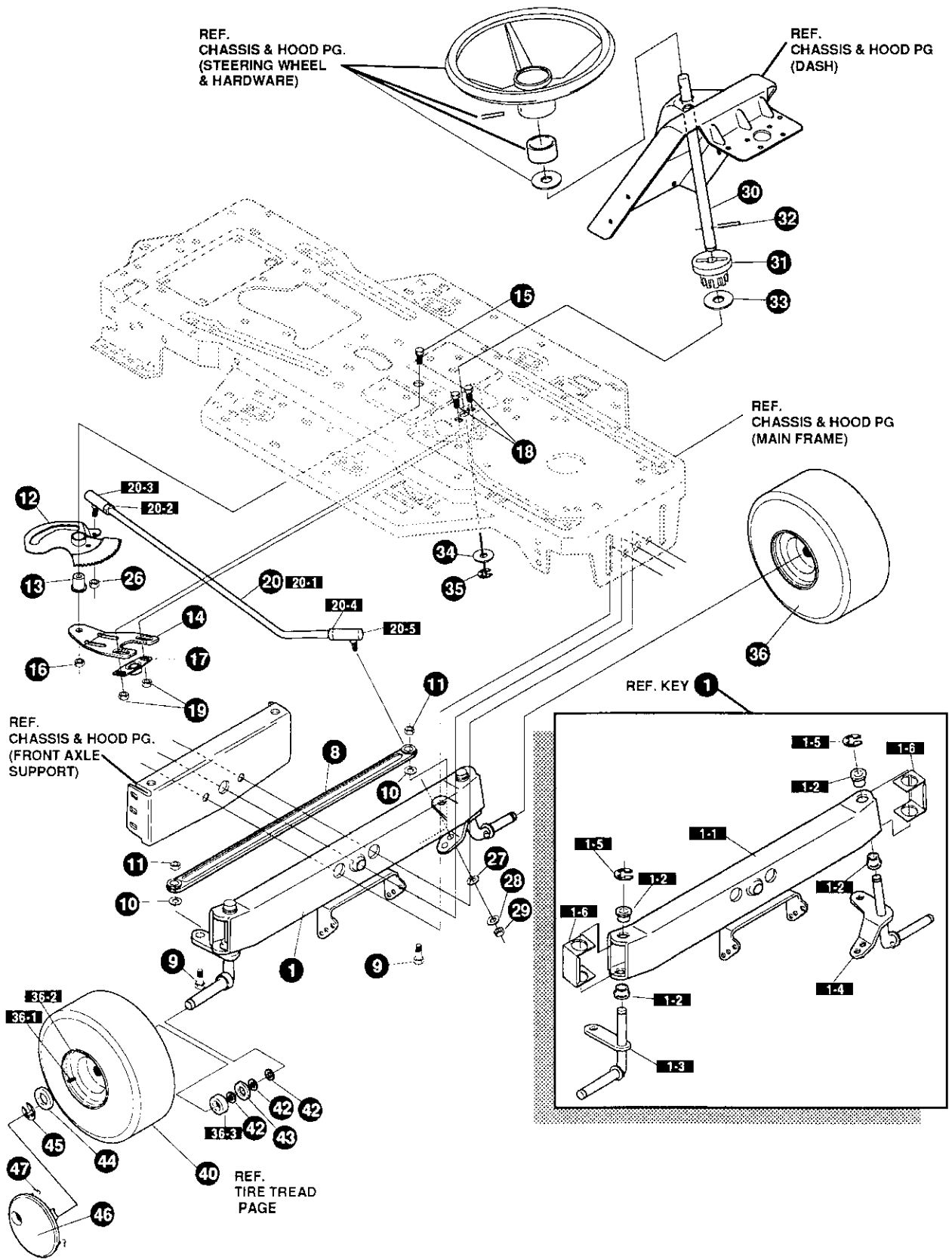
322997 H

**CRAFTSMAN 43" LAWN TRACTOR MODEL 536.2576700**

KEY #	PART #	DESCRIPTION	QTY
1	320075-853	BRACKET,CLUTCH ENGAGE LEVER .....	1
2	180079	SCREW, 5/16-18X1.00 HHC .....	2
3	120393	WASHER, FLAT .344X .69X.065 .....	2
4	1498	NUT, 5/16-18 REGHEXCTRLK .....	2
5	317089	ASSY, CLUTCH LEVER .....	1
6	50148	BEARING, FL .503IDX .63ODX .50 .....	1
7	8260	PIN, HAIR .091 DIA X1.66LG .....	1
8	318341	BRACKET, SWITCH ENGAGE .....	1
9	35498	SCREW, 5/16-18X .75 WAHHTAP .....	1
10	324032	SPRING,CABLE KEEPER .390 ID .....	1
11	48306	PULLEY,POWDER METAL .....	1
12	316648	SPRING .071 X .62 X 12.88 .....	1
13	324045	BOLT, .375X .565 HSH .....	1
15	1502	NUT, 1/4-20 REGHEXCTRLK .....	1
16	300698-853	BRACKET FRAME CABLE .....	1
17	180020	SCREW, 1/4-20X .75 HHC .....	2
18	1502	NUT, 1/4-20 REGHEXCTRLK .....	2
19	324055	ASSY,CABLE, BLADE ENGAGE .....	1
20	120613	NUT, 1/4-28 HJAM .....	1
21	35498	SCREW, 5/16-18X .75 WAHHTAP .....	1
22	57444	TIE, CABLE BLACK NYLON 5.62L .....	1
23	322835-853	LIFT ASSY, LH .....	1
24	300169-853	LIFT ASSY, RH .....	1
25	180079	SCREW, 5/16-18X1.00 HHC .....	1
26	58247	NUT, ADJUST .....	1
27	1498	NUT, 5/16-18 REGHEXCTRLK .....	1
28	417098	WASHER, FLAT .531X1.06X.063 .....	2
29	8260	PIN, HAIR .091 DIA X1.66LG .....	2
30	322821	ROD, ADJUSTING "J" P-LIFT .....	1
31	120394	WASHER, FLAT .406X .81X.065 .....	1
32	36368	PIN, HAIR .072 DIA X1.13LG .....	1
33	996416	WASHER, FLAT .391X1.00X.125 .....	1
34	120377	NUT, 3/8-16 REGHX .....	1
35	322467	NUT, 3/8-16 HXHDNYLON INSERT .....	1
36	58248-853	BRACKET, REAR HANG SUSP .....	2
37	57072	BOLT, 5/16-18X .63 CARRLN .....	4
38	1498	NUT, 5/16-18 REGHEXCTRLK .....	4
39	314962-853	PEDAL ASSY, DECK HEIGHT .....	1
40	328596	PAD, LIFT PEDAL .....	1
41	328771	BRACKET, LIFT ARM .....	1
42	57072	BOLT, 5/16-18X .63 CARRLN .....	4
43	44108	NUT, 5/16-18 HWDFLCTRLK .....	4
44	315342	LATCH, PEDAL LIFT .....	1
45	314829	BOLT, .56 X .13 HSH 3/8-16 .....	1
46	1499	NUT, 3/8-16 REGHXCTRLK .....	1
47	314489	SPRING, LIFT LATCH .....	1
48	314792	ROD, PIVOT .....	1
49	121222	PIN, COTTER .090 DIA X .75LG .....	2
50	321385	ROD, MEMORY .....	1
51	120394	WASHER, FLAT .406X .81X.065 .....	4
52	36368	PIN, HAIR .072 DIA X1.13LG .....	1
53	315341	BRACKET, MEMORY .....	2
54	44811	SCREW, 1/4-20X .75 WAHHTAP .....	4
55	324038	GUIDE, MEMORY ROD - NEW ADJT .....	1
56	1502	NUT, 1/4-20 REGHEXCTRLK .....	4
57	314969	CAP, MEMORY ROD .38ID X .75 .....	1
58	314837	SPRING, MEMORY .....	1
59	321837	KNOB,ROUND 1.50 DIA MATTE BLK .....	1
60	180077	SCREW, 5/16-18X .75 HHC .....	1
61	1498	NUT, 5/16-18 REGHEXCTRLK .....	1
62	1288	BRACKET, CABLE RETAIN .....	1
63	309235	FASTENER, RATCHET .....	1

# CRAFTSMAN 43" LAWN TRACTOR MODEL 536.2576700

## FRONT STEERING ASSEMBLY



**NOTE:** ALWAYS USE ORIGINAL EQUIPMENT PARTS. Use of service/replacement parts other than original equipment parts may void your warranty.

**ALL UNNUMBERED ITEMS ARE INTERCHANGEABLE WITH OPPOSITE SIDE**

328622 B

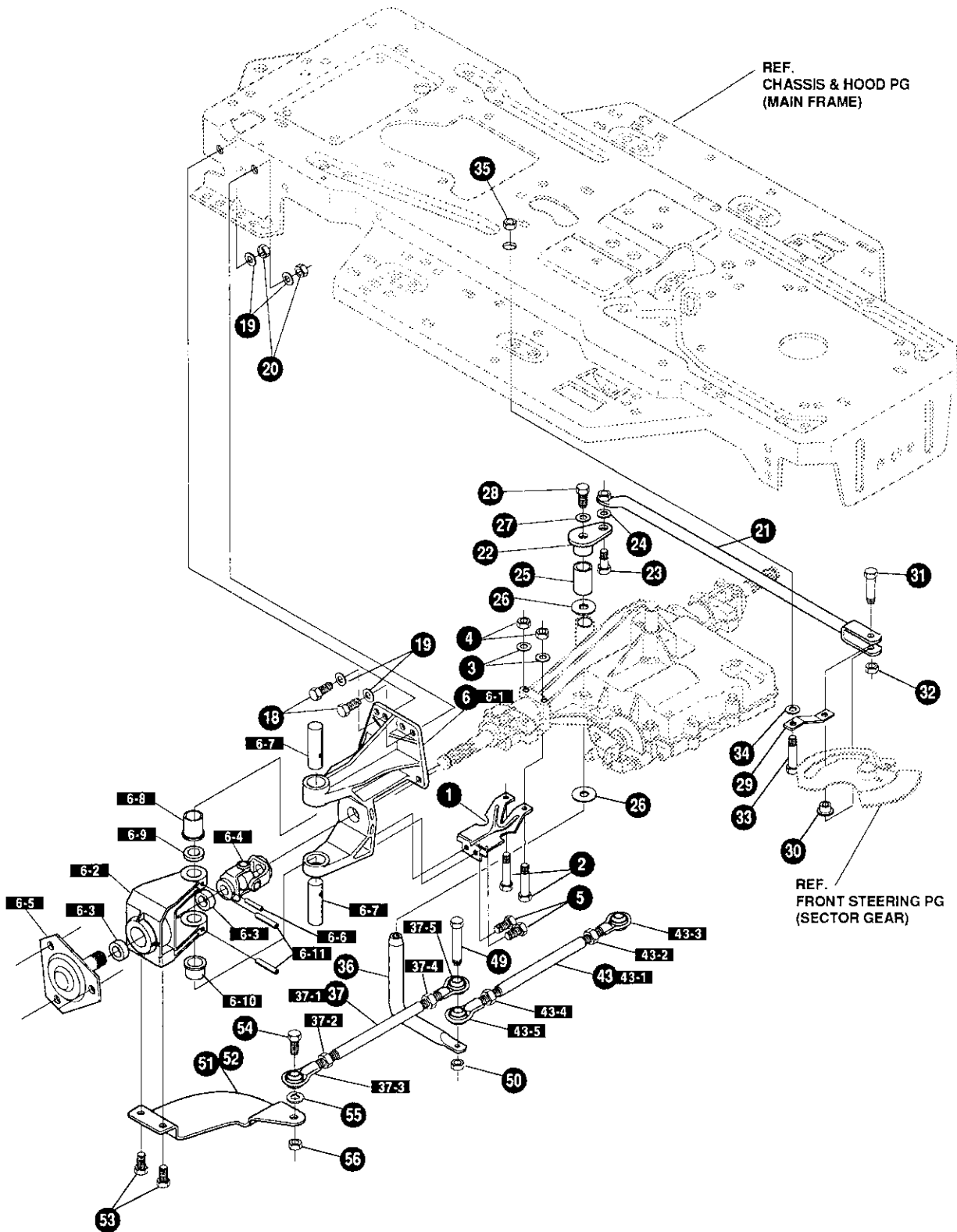
# CRAFTSMAN 43" LAWN TRACTOR MODEL 536.2576700

KEY#	PART#	DESCRIPTION	QTY
1	^	AXLE, FRONT ASSY LONGSUS4WS .....	1
1-1	310170	AXLE, FRONT .....	1
1-2	52407	SPINDLE BEARING .....	4
1-3	318539	ASSY, SPINDLE, RH LG .....	1
1-4	318544	ASSY, SPINDLE, LH LG .....	1
1-5	36625	RING, RETEX .57X.05TRU5133-75 .....	2
1-6	53373-853	AXLE COVER .....	2
8	304590	TIE ROD ASSY 19.81LG W-SECTION .....	1
9	180128	SCREW, 3/8-16X1.75 HHC .....	2
10	120382	WASHER, REGSPTLK.393X.68X.10 .....	2
11	120377	NUT, 3/8-16 REGHX .....	2
12	313634	ASSY, SECT GEAR BLK .....	1
13	313629	BEARING, SLEV . IDX . ODX .....	1
14	313671-853	SUPPORT, SECTOR GEAR 4WS .....	1
15	315196	SCREW, 1/2-20X3.00 HHC .....	1
16	274654	NUT, 1/2-20 REGHXCTRLK .....	1
17	302498	BEARING, SFAL .500IDX . ODX .75 .....	1
18	323731	SCREW, 5/16-24X.75 (TQ 30-35 FT#) .....	2
19	71100	NUT, 5/16-24 HEXWDFLLK .....	2
20	323752	ASSEMBLY, DRAG LINK 4WS GEAR .....	1
20-1	321449	DRAG LINK .625 DIA FOR 4WS .....	1
20-2	124925	NUT, 3/8-24 REGHEXJAM .....	1
20-3	57158	BALL JOINT 3/8 THD SHORT STUD .....	1
20-4	272123	NUT, 7/16-20 HXJAM .....	1
20-5	302865	BALL JOINT 7/16-20 .....	1
26	46692	NUT, 3/8-24 WDFLHLK WHIZ .....	1
27	120396	WASHER, FLAT .531X1.06X.095 .....	1
28	120383	WASHER, REGSPTLK.459X.78X.12 .....	1
29	271506	NUT, 7/16-20 REGHX .....	1
30	318702	SHAFT, STEERING 4WS, SEARS .....	1
31	302314	PINION, STEERING .....	1
32	302524	PIN DOWEL STR .....	1
33	315194	WASHER, FLAT .51X1.38X.043 .....	1
34	2968	WASHER, FLAT .504X .75X.059 .....	1
35	20864	RING, RET E .39X.04TRU5133-50 .....	1
36	321909	TIRE & RIM, PU 15X6.0X6 .....	2
36-1	24167	VALVE STEM .....	
36-2	39829	RIM, WHEEL .....	
36-3	321908	BEARING .....	
40	TIRE	REFER TO TIRE TREAD PAGE .....	
42	73840	WASHER, FLAT .765X1.12X.06 .....	6
43	318550	SEAL, FELT 1.56 O.D.X1/8 THK .....	2
44	642	WASHER, FLAT .755X1.31X.075 .....	2
45	36625	RING, RETEX .57X.05TRU5133-75 .....	2
46	306571	HUB CAP .....	2
47	306669	CLIP, HUBCAP TINN #C25467-017-4 .....	8

^ ORDER INDIVIDUAL PARTS

# CRAFTSMAN 43" LAWN TRACTOR MODEL 536.2576700

## REAR STEERING ASSEMBLY



**NOTE:** ALWAYS USE ORIGINAL EQUIPMENT PARTS.  
Use of service/replacement parts other than original equipment parts may void your warranty.

**ALL UNNUMBERED  
ITEMS ARE INTERCHANGEABLE  
WITH OPPOSITE SIDE**

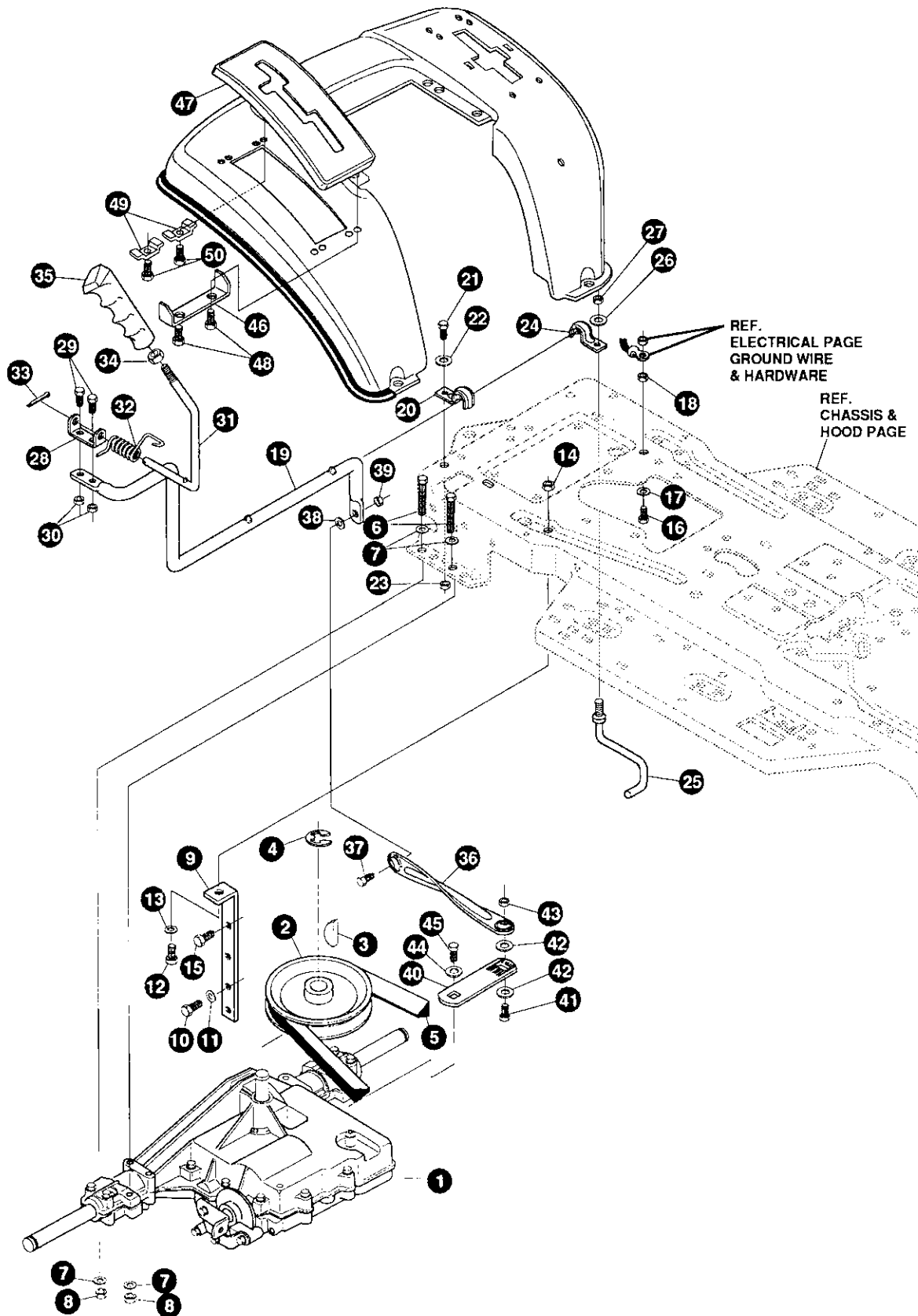
326137 C

**CRAFTSMAN 43" LAWN TRACTOR MODEL 536.2576700**

KEY#	PART#	DESCRIPTION	QTY
1	303222-853	BRACKET X-AXLE MTG 4WS	2
2	180091	SCREW, 5/16-18X2.50 HHC	4
3	120393	WASHER, FLAT .344X .69X.065	4
4	1498	NUT, 5/16-18 REGHEXCTRLK	4
5	35498	SCREW, 5/16-18X .75 WAHHTAP	4
6	326135	U-JOINT, ASM. 4WS LD	2
6-1	314267	BRACKET,STEERING PIVOT DRILLED	1
6-2	12465	BRACKET,STEERING PIVOT	1
6-3	12325	BRNG, BALL 6203-2AA-3/4	2
6-4	320531	U-JOINT ASSEMBLY W/ZERK (LONG)	1
6-5	12280-853	HUB ASSEMBLY	1
6-6	36311	PIN, GROOVED .250 DIA X1.50LG	1
6-7	12289	PIN, STEERING HINGE	2
6-8	324578	BRACKET ASY,STR PVT-IN	1
6-9	21682	WASHER, FLAT .765X1.25X.042	1
6-10	12321	BEARING, FLSH . IDX . ODX	1
6-11	456722	PIN, SPRING 250DIA X1.50LG HVPL	2
18	180079	SCREW, 5/16-18X1.00 HHC	8
19	120393	WASHER, FLAT .344X .69X.065	16
20	1498	NUT, 5/16-18 REGHEXCTRLK	8
21	324514	ROD ASM,DRAGLINK 4WS BLK	1
22	308719	PIVOT, STEERING	1
23	12319	BOLT, .562X .340 HSH 3/8-24	1
24	120394	WASHER, FLAT .406X .81X.065	1
25	304115	SPACER, STEERING SHAFT	1
26	25177	WASHER, FLAT .765X1.19X.048	2
27	45602	WASHER, FLAT .333X .87X.119	1
28	421051	SCREW, 5/16-24X1.00 HHC	1
29	302594	FOLLOWER,ROLLER	1
30	304116	CAM YOKE ROLLER	1
31	304122	BOLT, .625 X1.175HSH	1
32	274654	NUT, 1/2-20 REGHXCTRLK	1
33	324638	BOLT, .265X .980 HSH 3/8-24	1
34	996307	WASHER, FLAT .391X1.00X.209	1
35	412349	NUT, 3/8-24 HXCTRLK	1
36	308720	SHAFT, STEERING PIVOT (ZN)	1
37	323634	TIE ROD, ASSYRH EURO 4WS	1
37-1	308447	ROD, TIE 1/2"D X 8.12LG	1
37-2	308399	NUT, 3/8-24 LH THD REGHJAM	1
37-3	308384	BALL JOINT LH 3/8-24	1
37-4	124925	NUT, 3/8-24 REGHEXJAM	1
37-5	304260	BALL JOINT,RH 3/8-24	1
43	323635	TIE ROD, ASSYLH 4WS	1
43-1	308446	ROD, TIE 1/2"D X 9.75LG	1
43-2	308399	NUT, 3/8-24 LH THD REGHJAM	1
43-3	308384	BALL JOINT LH 3/8-24	1
43-4	124925	NUT, 3/8-24 REGHEXJAM	1
43-5	304260	BALL JOINT,RH 3/8-24	1
49	181646	SCREW, 3/8-24X1.75 HHC	1
50	412349	NUT, 3/8-24 HXCTRLK	1
51	304120-853	ARM REAR WHEEL STEER R.H	1
52	304121-853	ARM, REAR WHEEL STEER L.H	1
53	39728	SCREW, 3/8-16X .75WAHHTAP	4
54	181639	SCREW, 3/8-24X1.25 HHC	2
55	120382	WASHER, REGSPTLK.393X.68X.10	2
56	412349	NUT, 3/8-24 HXCTRLK	2

**CRAFTSMAN 43" LAWN TRACTOR MODEL 536.2576700**

**MOTION DRIVE ASSEMBLY**



**NOTE: ALWAYS USE ORIGINAL EQUIPMENT PARTS.**  
 Use of service/replacement parts other than original equipment parts may void your warranty.

**ALL UNNUMBERED  
 ITEMS ARE INTERCHANGEABLE  
 WITH OPPOSITE SIDE**

328041 B

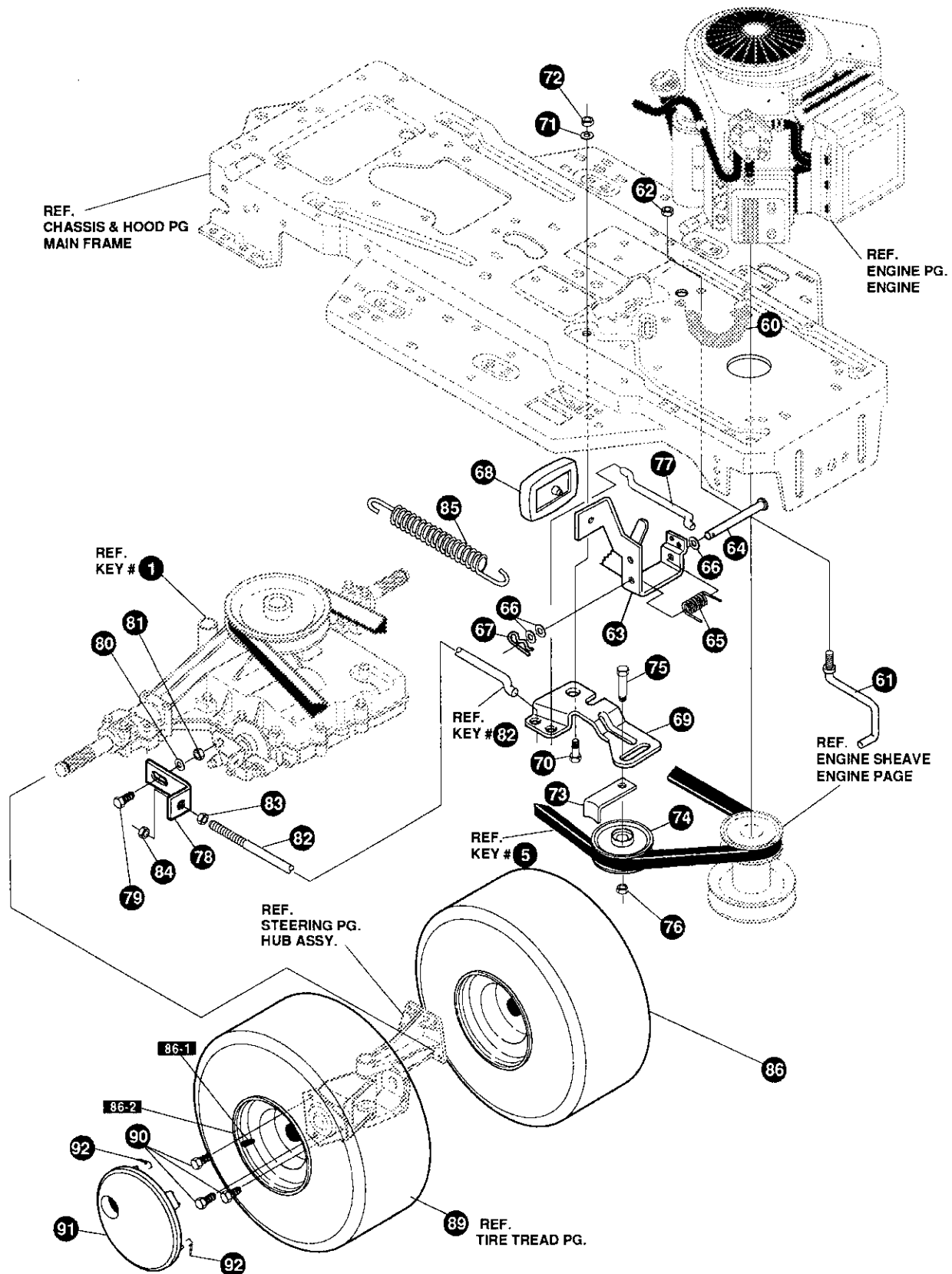
**CRAFTSMAN 43" LAWN TRACTOR MODEL 536.2576700**

KEY#	PART#	DESCRIPTION	QTY
1	^	TRANSAXLE P930-042 6SP4WSLF .....	1
2	303109	PULLEY, 6.6 OD V4L T/A .....	1
3	50795	KEY, HI-PRO 606 .75DIAX.187WD .....	1
4	22053	RING, RETEX .58X.035TRU5100-62 .....	1
5	314120	BELT, V 4L 87.25 4WS LF .....	1
6	180091	SCREW, 5/16-18X2.50 HHC .....	4
7	120393	WASHER, FLAT .344X .69X.065 .....	8
8	1498	NUT, 5/16-18 REGHEXCTRLK .....	4
9	323739	BRKT, STABILIZER BLK .....	1
10	35498	SCREW, 5/16-18X .75 WAHHTAP .....	2
11	120638	WASHER, HVSP TLK .328X.60X.09 .....	2
12	180079	SCREW, 5/16-18X1.00 HHC .....	1
13	120393	WASHER, FLAT .344X .69X.065 .....	1
14	1498	NUT, 5/16-18 REGHEXCTRLK .....	1
15	50947	SCREW, 3/8-16X1.25 WAHHTAP .....	1
16	180138	SCREW, 3/8-16X3.00 HHC .....	1
17	138538	WASHER, REGINTLK.320X.61X.03 .....	1
18	1498	NUT, 5/16-18 REGHEXCTRLK .....	1
19	319111	LEVER,SHIFT-LWR P930/4360 LF .....	1
20	310347-853	CLIP- SHIFT LEVER .625 ROD .....	1
21	180079	SCREW, 5/16-18X1.00 HHC .....	1
22	996416	WASHER, FLAT .391X1.00X.125 .....	1
23	1498	NUT, 5/16-18 REGHEXCTRLK .....	1
24	310347-853	CLIP- SHIFT LEVER .625 ROD .....	1
25	57259	GUIDE, BELT 5/16-18THD .....	1
26	996416	WASHER, FLAT .391X1.00X.125 .....	1
27	1498	NUT, 5/16-18 REGHEXCTRLK .....	1
28	310356	BRKT, PIVOT SH LEV .....	1
29	180020	SCREW, 1/4-20X .75 HHC .....	2
30	1502	NUT, 1/4-20 REGHEXCTRLK .....	2
31	324798	LEVER, SHIFT UPPER SOF 1/2-13 .....	1
32	310265	SPRING, TORS .56X.95X.095 .....	1
33	137185	PIN, COTTER .125 DIAX1.00LG .....	1
34	120238	NUT, 1/2-13 HEXJAM .....	1
35	306690	HANDLE 1/2-13 MOLDED BLACK .....	1
36	314965	LINK TIEROD SHIFT P930-6 SHORT .....	1
37	180124	SCREW, 3/8-16X1.25 HHC .....	1
38	120382	WASHER, REGSP TLK.393X.68X.10 .....	1
39	1499	NUT, 3/8-16 REGHXCTRLK .....	1
40	309637	BRKT,SHIFT 5SP SF .....	1
41	180124	SCREW, 3/8-16X1.25 HHC .....	1
42	120394	WASHER, FLAT .406X .81X.065 .....	2
43	1499	NUT, 3/8-16 REGHXCTRLK .....	1
44	57157	WASHER, .750X.250 SP-TRANSAXLE .....	1
45	56255	SCREW, 1/4-28X .75 NYLHHC .....	1
46	311257-853	BRACKET COVER F-5 FNDR SHIFT .....	1
47	311209	COVER PLASTIC LF P930/F4360-6 .....	1
48	311331	SCREW, 1/4-15X.44/ .53 HILOHHWA .....	2
49	1341	CLAMP, SPRG 1.17"ID .....	2
50	311331	SCREW, 1/4-15X.44/ .53 HILOHHWA .....	2

^ CONTACT YOUR NEAREST TRANSAXLE DEALER FOR PARTS ANDS SERVICE

**CRAFTSMAN 43" LAWN TRACTOR MODEL 536.2576700**

**MOTION DRIVE ASSEMBLY**



**NOTE:** ALWAYS USE ORIGINAL EQUIPMENT PARTS. Use of service/replacement parts other than original equipment parts may void your warranty.

**ALL UNNUMBERED ITEMS ARE INTERCHANGEABLE WITH OPPOSITE SIDE**

328041 B