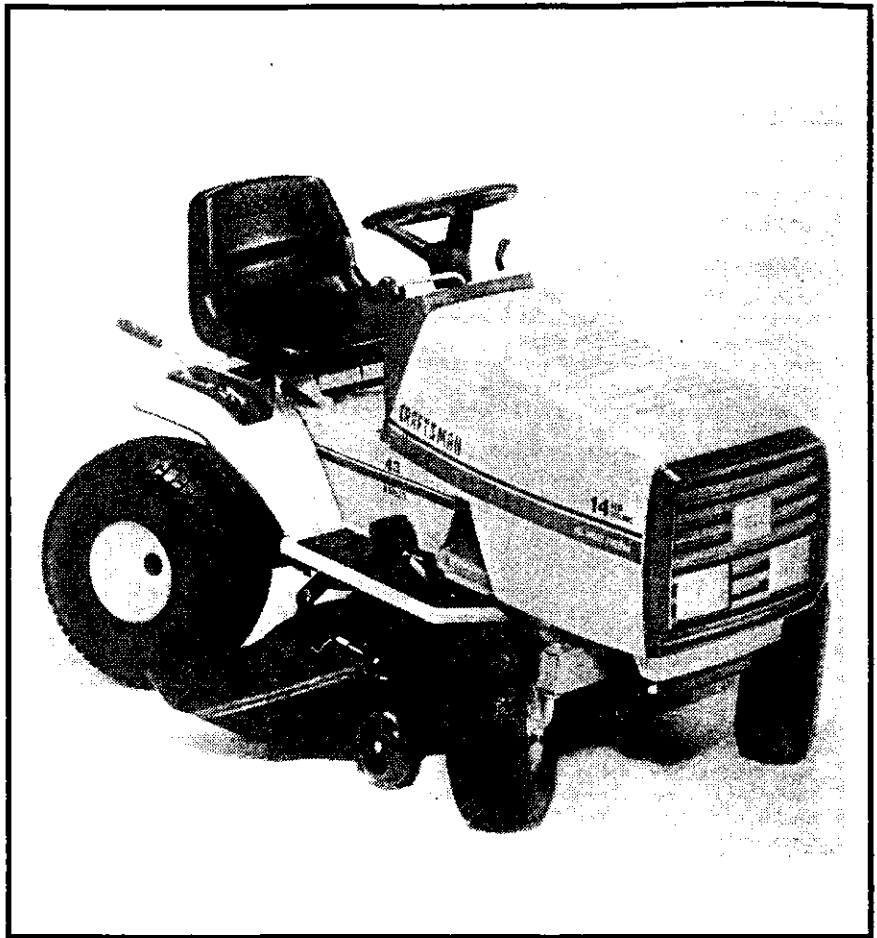


SEARS

**REPAIR
PARTS
MANUAL**

**MODEL NO.
536.255880**

Caution:
Read and follow
all Safety Rules
and Instructions
Before Operating
This Equipment



CRAFTSMAN[®]
14.0 HP TWIN CYLINDER
ALL-WHEEL STEER
43" MOWER DECK
6-SPEED TRANSAXLE
LAWN TRACTOR

SEARS, ROEBUCK AND CO., Chicago, IL 60684 U.S.A.



SAFETY RULES



THESE INSTRUCTIONS ARE FOR YOUR PROTECTION. PLEASE READ THEM CAREFULLY.

IMPORTANT

THIS CUTTING MACHINE IS CAPABLE OF AMPUTATING HANDS AND FEET AND THROWING OBJECTS. FAILURE TO OBSERVE THE FOLLOWING SAFETY INSTRUCTIONS COULD RESULT IN SERIOUS INJURY OR DEATH.

I. GENERAL OPERATION:

- Know controls and how to stop quickly.
- Read, understand, and follow all instructions in the manual and on the machine before starting.
- Only allow responsible adults, who are familiar with instructions, to operate the machine.
- Wear safety glasses or eye shields when assembling or operating the machine.
- Do not operate machine when barefooted. Always wear substantial footwear, preferably steel-toed shoes.
- Do not wear loose fitting clothing that could get caught in moving parts.
- Clear the area of objects such as rocks, toys, wire, etc., which could be picked up and thrown by the blade(s).
- Be sure the area is clear of other people before mowing. Stop machine if anyone enters the area.
- Never carry passengers.
- Do not mow in reverse unless absolutely necessary. Always look down and behind before and while backing.
- Be aware of the mower discharge direction and do not point it at anyone. Do not operate the mower without either the entire grass catcher or the guard in place.
- Slow down before turning.
- Never leave a running machine unattended. Always turn off blades, set parking brake, stop engine, and remove keys before dismounting.
- Turn off blade(s) when not mowing.
- Stop engine before removing grass catcher or unclogging chute.
- Mow only in daylight or good artificial light.
- Do not operate the machine while under the influence of alcohol or drugs.
- Watch for traffic when operating near or crossing roadways.
- Use care when mowing around a fixed object to prevent the blade(s) from striking it. Never deliberately run over any foreign object.
- Use extra care when loading or unloading the machine into a trailer or truck.
- Use care when pulling loads or using heavy equipment.
 - a. Use only approved drawbar hitch points.
 - b. Limit loads to those that you can safely control.
 - c. Do not turn sharply. Use care when backing.
 - d. Use counterweight(s), wheel weight or tire chains when suggested in attachment(s) instructions.

II. SLOPE OPERATION:

Slopes are a major factor related to loss-of-control and tip-over accidents, which can result in severe injury or death. *All slopes require extra caution.* If you cannot back up the slope or if you feel uneasy on it, do not mow it.

DO

- Mow up and down slopes, not across.
- Remove obstacles such as rocks, tree limbs, etc.
- Watch for holes, ruts, or bumps. Uneven terrain could overturn the machine. *Tall grass can hide obstacles.*
- Use slow speed. Choose a low gear so that you will not have to stop or shift while on the slope.
- Follow the manufacturer's recommendations for wheel weights or counterweights to improve stability.
- Use extra care with grass catchers or other attachments. These can change the stability of the machine.
- Keep all movement on the slopes *slow and gradual*. Do not make sudden changes in speed or direction.
- Avoid starting or stopping on a slope. If tires lose traction, turn off the blade(s) and proceed slowly *straight* down the slope.

DO NOT

- Do not turn on slopes unless necessary, and then slowly and gradually downhill, if possible.
- Do not mow near drop-offs, ditches or embankments. The

mower could suddenly turn over if a wheel is over the edge of a cliff or ditch, or if an edge caves in.

- Do not mow on wet grass. Reduced traction could cause sliding.
- Do not try to stabilize the machine by putting your foot on the ground.
- Do not use grass catcher on steep slopes.

III. CHILDREN:

Tragic accidents can occur if the operator is not alert to the presence of children. Children are often attracted to the machine and the mowing activity. *Never* assume that children will remain where you last saw them.

- Keep children out of the mowing area and under the watchful care of another responsible adult.
- Be alert and turn machine off if children enter the area.
- Before and when backing, look behind and *down* for small children.
- Never carry children. They may fall off and be seriously injured or interfere with safe machine operation.
- Never allow children to operate the machine.
- Use extra care when approaching blind corners, shrubs, trees, or other objects that may obscure vision.

IV. SERVICE:

- Use extra care in handling gasoline and other fuels. They are flammable and vapors are explosive.
 - a. Use only an approved container.
 - b. Never remove gas cap or add fuel with the engine running. Allow engine to cool before refueling. Do not smoke.
 - c. Never refuel the machine indoors.
 - d. Never store the machine or fuel container inside where there is an open flame, such as in a water heater.
- Check fuel supply before each use allowing space for expansion as the heat of the engine and/or sun can cause gasoline to expand and overflow the tank.
- Use extra care when handling battery acid. Acid contact with skin may cause severe burns. Eye contact may cause blindness.
- Use extra care when servicing the battery. Explosive gas is produced in the battery. Do not service the battery while smoking or near an open spark or flame. This may cause the battery to explode causing serious injury.
- Never run a machine inside a closed area. Exhaust fumes contain CARBON MONOXIDE, an ODORLESS and DEADLY GAS.
- Keep nuts and bolts, especially blade attachment bolts, tight and keep equipment in good condition.
- Never tamper with safety devices. Check their operation regularly.
- Do not change the engine governor settings or overspeed engine.
- Reduce fire hazards. Keep machine free of grass, leaves, or other debris build-up. Clean up oil or fuel spillage. Allow machine to cool before storing.
- Stop and inspect the equipment if you strike an object. Repair, if necessary, before restarting.
- Never make adjustments or repairs with the engine running.
- Grass catcher components are subject to wear, damage, and deterioration, which could expose moving parts or allow objects to be thrown. Frequently check components and replace with manufacturer's recommended parts, when necessary.
- Mower blade(s) are sharp and can cut. Wrap the blade(s) or wear gloves, and use extra caution when servicing them.
- Check brake operation frequently. Adjust and service as required.



LOOK FOR THIS SYMBOL TO POINT OUT IMPORTANT SAFETY PRECAUTIONS. IT MEANS--ATTENTION!!!
BECOME ALERT!!! YOUR SAFETY IS INVOLVED.

OWNER'S INFORMATION

CONTENTS OF SHIPPING CARTON

- 1 - Tractor (with 43 inch deck)
- 1 - Operator's Manual
- 1 - Repair Parts Manual
- 1 - Steering Wheel
- 1 - Battery Acid Pak
- 1 - Bag of Assembly Parts Containing:
 - 1 - 1/4 x2 inch Spring Pin (Steering Wheel)
 - 1 - Steering Shaft Spacer

TOOLS REQUIRED FOR ASSEMBLY

- 1 - 3/8 inch Wrench (or adjustable wrench)
- 1 - 7/16 inch Wrench (or adjustable wrench)
- 1 - Hammer
- 1 - Pliers
- 1 - Small Phillips Screwdriver with a 1/4 inch shank
- 1 - Utility Knife
- 1 - Tire Pressure Gauge



WARNING

TO AVOID SERIOUS INJURY OR DEATH

Read Operator's Manual(s).

Know the location and function of all controls.

Keep guards, safety shields and switches in place and working properly.

Remove objects that can be thrown by the blade(s).

Do not mow when children or others are around.

Never carry children or passengers.

Look down and behind before and while backing.

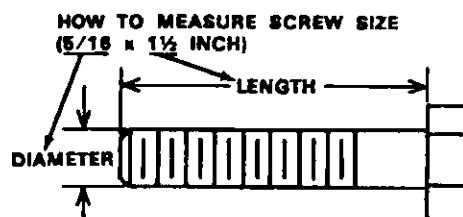
Do not mow where mower can tip or slip.

If machine stops going up hill, disengage blade(s) and back down slowly.

Remove key when leaving machine.

Avoid sudden turns.

Go up and down slopes, not across.

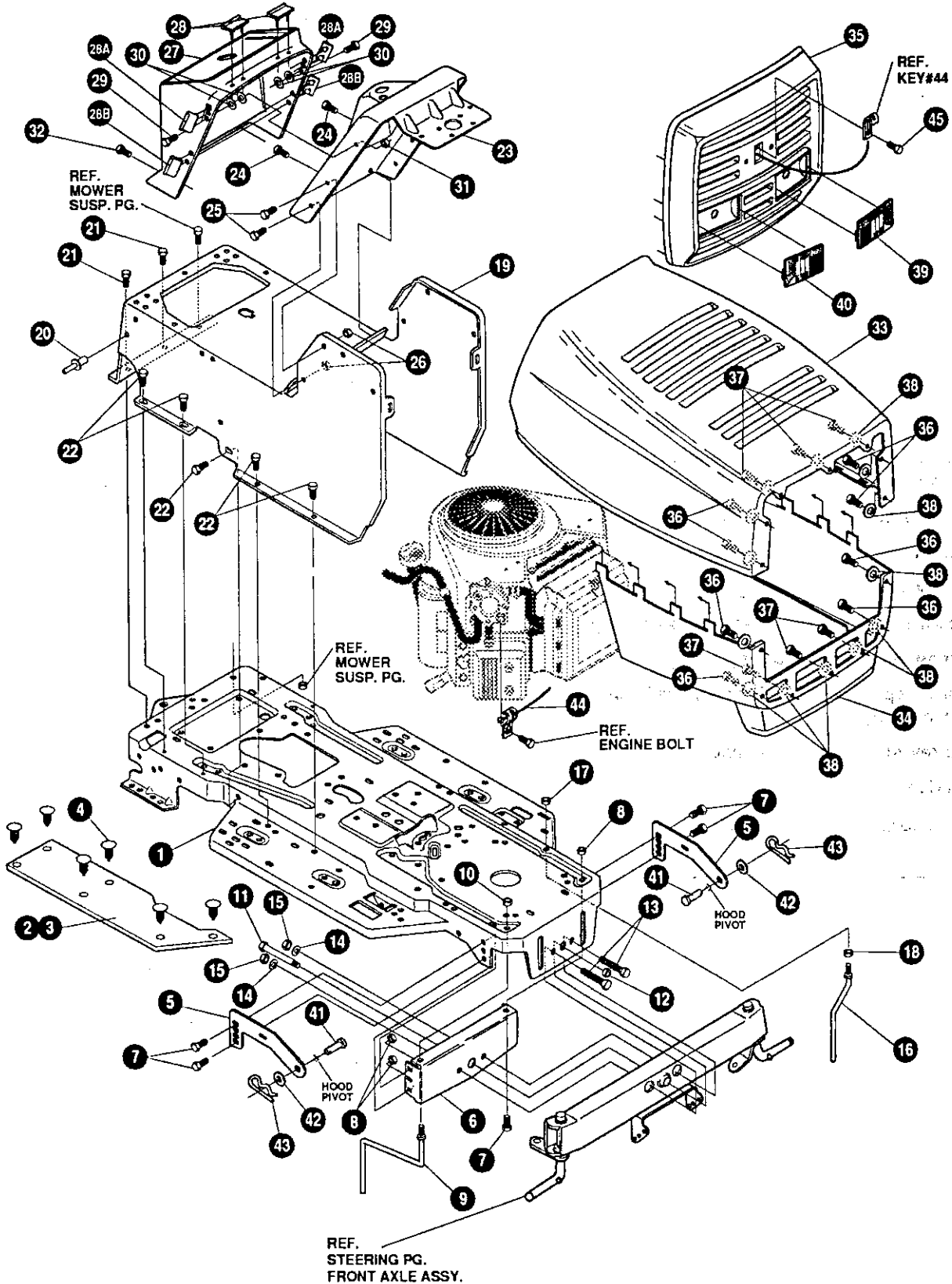


FOLLOW INSTRUCTIONS ON THE BACK COVER FOR ORDERING REPAIR PARTS.

READ AND OBSERVE ALL SAFETY RULES IN YOUR OPERATOR'S MANUAL. FOLLOW A REGULAR SCHEDULE IN MAINTAINING, CARING FOR AND USING YOUR UNIT. FOLLOW THE INSTRUCTIONS UNDER "CUSTOMER RESPONSIBILITIES" AND "STORAGE" SECTIONS OF YOUR OPERATOR'S MANUAL.

CRAFTSMAN 43" LAWN TRACTOR MODEL 536.255880

CHASSIS & HOOD ASSEMBLY



NOTE: ALWAYS USE ORIGINAL EQUIPMENT PARTS. Use of service/replacement parts other than original equipment parts may void your warranty.

ALL UNNUMBERED ITEMS ARE INTERCHANGEABLE WITH OPPOSITE SIDE

318680D

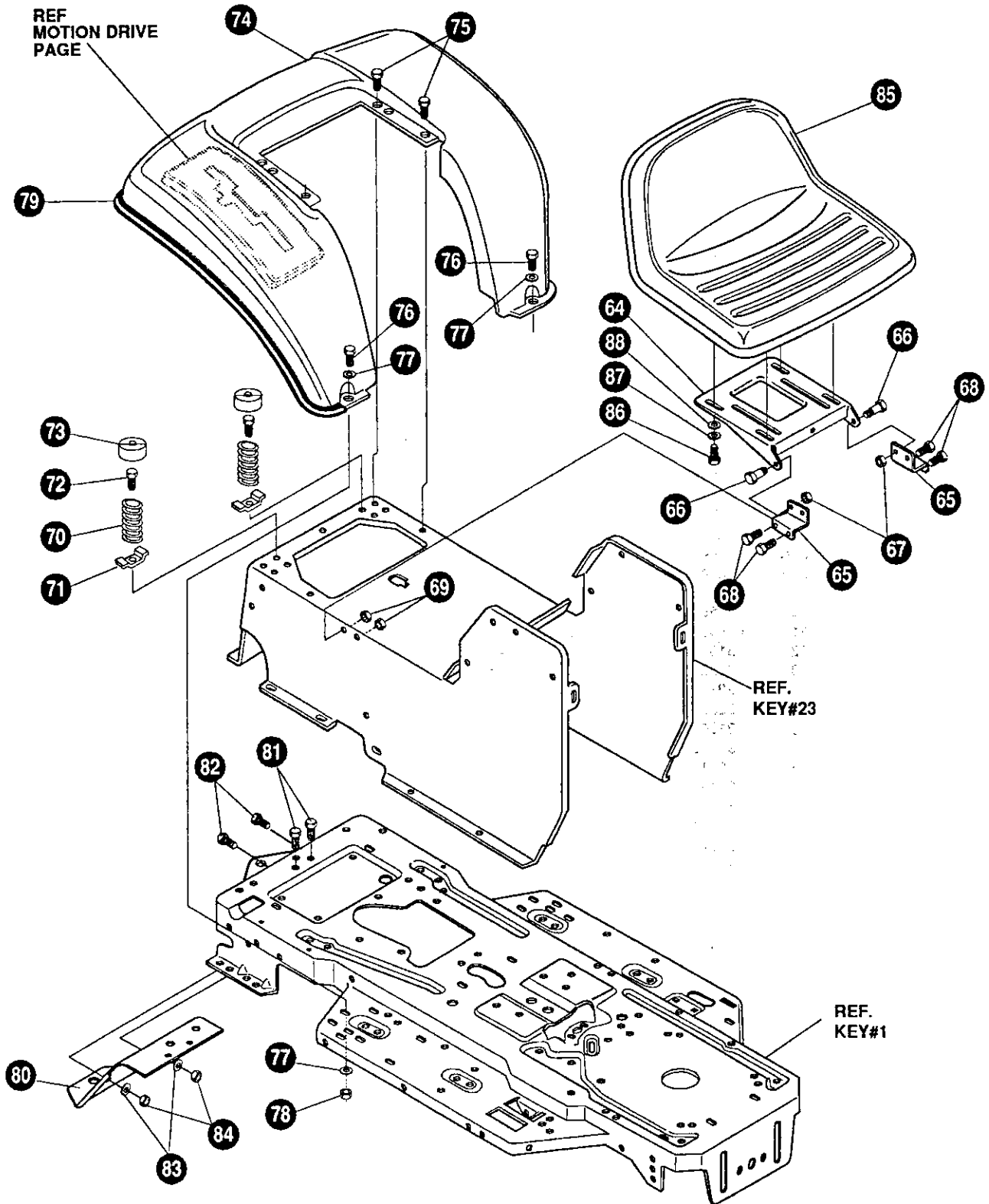
CRAFTSMAN 43" LAWN TRACTOR MODEL 536.255880

Key#	Part#	Description	Qty.
1	321710-854	FRAME, LF MAIN P920/F4360 SEARS	1
2	314799	FOOTPAD, LH PEDAL LIFT	1
3	310006	FOOTPAD, RH	1
4	309235	FASTENER, RATCHET	12
5	323068-853	BRACKET, GRILLE	2
6	313541-853	BRACKET, FRONT AXLE	1
7	56030	SCREW, 5/16-18X.75WDFLLK GR5	5
8	55273	NUT, 5/16-18 HXWDFLLK	5
9	300440	GUIDE, BELT, RIDER	1
10	• 1498	NUT, 5/16-18 REGHEXCTRLK	1
11	308207	BOLT, .625X2.18 HHSX 1/2-13	1
12	309008	NUT, 1/2-13 HEXJAM CTRLK	1
13	• 122207	SCREW, 3/8-16X3.00 HHC GR2	2
14	2483	WASHER, .39IDX1.25DX.07 BELLVIL	2
15	• 1499	NUT, 3/8-16 REGHXCTRLK	2
16	300635	GUIDE, BELT SHORT 15" WHEEL	1
17	• 124824	NUT, 5/16-18 HEXJAM	1
18	• 271190	NUT, 3/8-16 HEXKEPS	1
19	315120-854	CONSOLE, H14-15 SOF PEDAL LIFT	1
20	46763	RIVET, POP .187DIA X .450LG ST	1
21	35497	SCREW, 5/16-18X .50 WAHTAP	2
22	995346	SCREW, 1/4-20X .50 WAHTAP	11
23	324111-830	DASH, STEEL LOWES/MF	1
24	995346	SCREW, 1/4-20X .50 WAHTAP	2
25	995338	SCREW, 1/4-20X .63 HHWATAP	4
26	50352	NUT, 1/4-20 WDFLLK TOPLOCK	4
27	319718	DASH, MASSEY FERG. LF CHAR 830	1
28	321810	BUMPER TOP	2
28A	324491	BUMPER-HOOD/DASH, SIDE TOP	4
28B	324492	BUMPER-HOOD/DASH, SIDE BOTTOM	2
29	318139	SCREW, 1/4-20 PHPNHD	2
30	54569	WASHER, FLAT .281X .75X .090	4
31	• 1502	NUT, 1/4-20 REGHXCTRLK	2
32	318304	SCREW, 1/4-20X.50 PHPNTAP	2
33	323295	HOOD, MF H-22	1
34	323293	SKIRT, HOOD LOWER	1
35	323289	GRILLE, M.F.	1
36	316043	SCREW #10X1.0 UNSL-HWH-HILO ZINC	8
37	316881	SCREW #10X.75 UNSL-HWH-HILO ZINC	6
38	1501	FLATWASHER #10	14
39	314967	LENS, LH MF/SEARS	1
40	314968	LENS, RH MF/SEARS	1
41	323044	PIN, CLEVIS	2
42	996425	FLATWASHER	2
43	8260	PIN, HAIR	14
44	315898	LANYARD, HOOD 18.00 LG LF MF	1
45	316042	SCREW #10X.62 UNSL-HWH-HILO ZINC	1

• STANDARD HARDWARE ITEMS.

CRAFTSMAN 43" LAWN TRACTOR MODEL 536.255880

HOOD AND CHASSIS ASSEMBLY



NOTE: ALWAYS USE ORIGINAL EQUIPMENT PARTS. Use of service/replacement parts other than original equipment parts may void your warranty.

ALL UNNUMBERED ITEMS ARE INTERCHANGEABLE WITH OPPOSITE SIDE

318680D

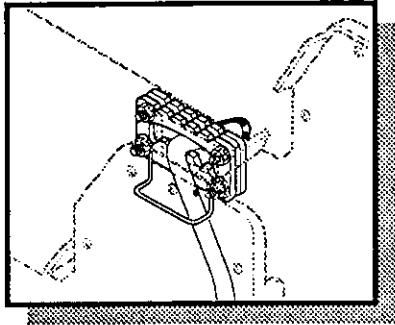
CRAFTSMAN 43" LAWN TRACTOR MODEL 536.255880

Key#	Part#	Description	Qty.
64	58367-854	PLATE, SEAT F-5 SF & LF	1
65	310660-854	BRACKET, F-5 SEAT SUPPORT	1
66	20507	BOLT, .437X .156 HSH 5/16-18	2
67	• 1498	NUT, 5/16-18 REGHEXCTRLK	2
68	48901	SCREW, 5/16-18X .63 HHC GR2	4
69	• 1498	NUT, 5/16-18 REGHEXCTRLK	4
70	57153	SPRING, SEAT 2.63LG,1.49OD	2
71	1341	CLAMP, SPRING 1.17"ID	2
72	44811	SCREW, 1/4-20X .75 HXWATAP	2
73	56907	COVER, SEAT SPRING 1.5IDX1.0LG	2
74	308654 -854	FENDER, F-5 SUS LF FDR SHIFT, P-LIFT	1
75	995346	SCREW, 1/4-20X .50 WAHHTAP	4
76	• 122017	SCREW, 5/16-18X1.00 HHC GR2	2
77	446363	WASHER, FLAT .375X .88X.082	4
78	• 1498	NUT, 5/16-18 REGHEXCTRLK	2
79	55021	TRIM, STRIP, BLACK—SMALL, W/ ADH	75"
80	321900-854	HITCH	1
81	48148	SCREW, 3/8-16 X 1.000 HXWAHD TAP	2
82	180079	SCREW, 5/16-18 X .63 HHC	2
83	120393	WASHER	2
84	1498	LOCKNUT	2
85	321863	SEAT, MV540 CRAFTSMAN	1
86	122007	SCREW, 5/16-18 X .75 HHC	4
87	120638	WASHER, HVSPTLK .328 X .60 X .09	4
88	120393	WASHER, FLAT .344 X .69 X .065	4

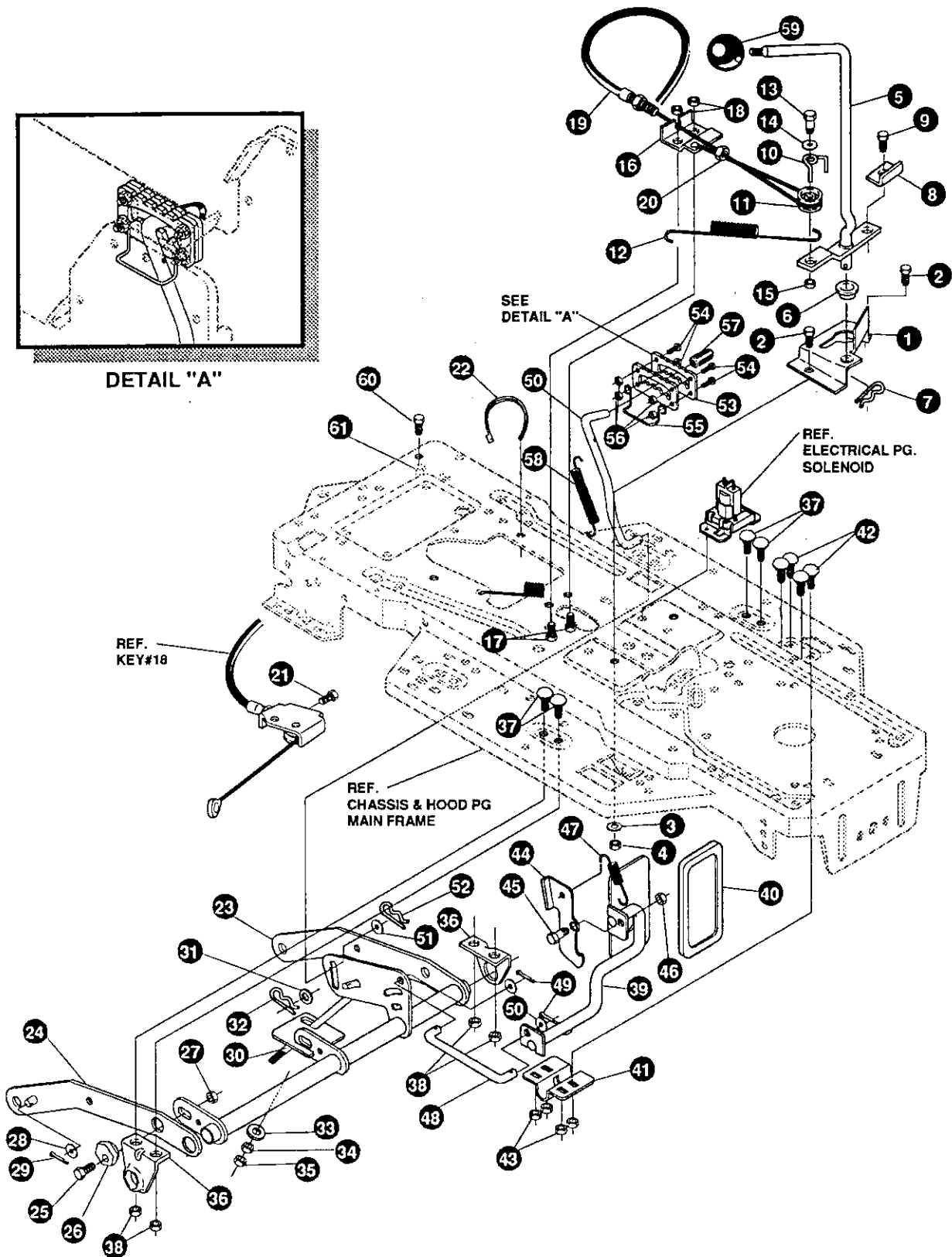
• STANDARD HARDWARE ITEMS.

CRAFTSMAN 43" LAWN TRACTOR MODEL 536.255880

MOWER SUSPENSION ASSEMBLY



DETAIL "A"



NOTE: ALWAYS USE ORIGINAL EQUIPMENT PARTS. Use of service/replacement parts other than original equipment parts may void your warranty.

ALL UNNUMBERED ITEMS ARE INTERCHANGEABLE WITH OPPOSITE SIDE

322997B

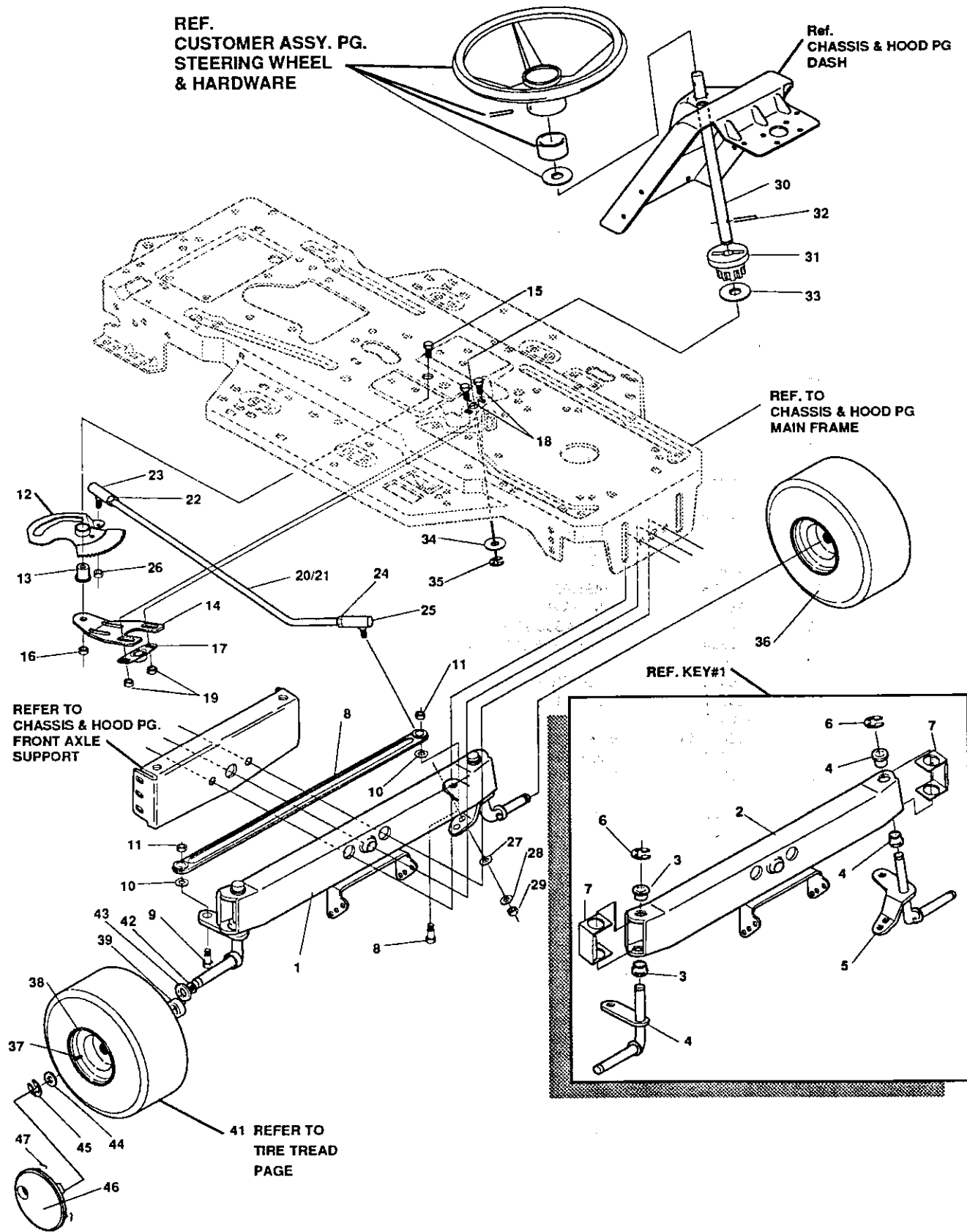
CRAFTSMAN 43" LAWN TRACTOR MODEL 536.255880

Key#	Part#	Description	Qty.
1	320075-853	BRACKET, CLUT-ENGAGELEVERBLK	1
2	• 180079	SCREW, 5/16-18X1.00 HHC	2
3	120393	WASHER, FLAT .344X .69X.065	2
4	• 1498	NUT, 5/16-18 REGHEXCTRLK	2
5	317089	ASSY, CLUTCH LEVER	1
6	50148	BEARING, FL. .503IDX.628OD	1
7	8260	PIN, HAIR .091 DIA X 1.66LG	1
8	318341	BRACKET, SWITCH ENGAGE	1
9	35498	SCREW, 5/16-18X .75 WAHTAP	1
10	324032	CABLE KEEPER	1
11	48306	PULLEY, POWDER METAL	1
12	316648	SPRING 12.88 LONG	1
13	324045	BOLT, .375X .565 HSH 1/4-20	1
14	315194	WASHER, FLAT 1.38 X .51 X .043 Z/YZ	1
14A	1288	BRACKET RETAINER	1
15	• 1502	NUT, 1/4-20 REGHEXCTRLK	1
16	300698-853	BRKT, FRAME CABLE	1
17	• 180020	SCREW, 1/4-20X .75 HHC	2
18	• 1502	NUT, 1/4-20 REGHEXCTRLK	2
19	324055	ASSY,CABLE, BLADE ENGAGE	1
20	120613	NUT, 1/4-28 HJAM	1
21	35498	SCREW, 5/16-18X .75 WAHTAP	1
22	57444	TIE, CABLE BLACK	1
23	322835-853	LIFT ASSY, LH P-LIFT J BLACK	1
24	300169-853	ASSY.LINK, RIGHT SIDE	1
25	• 180079	SCREW, 5/16-18X1.00 HHC	1
26	58247	ADJUSTING NUT	1
27	• 1498	NUT, 5/16-18 REGHEXCTRLK	1
28	417098	WASHER, FLAT .531X1.06X.095	2
29	8260	PIN, HAIR .091 DIA X 1.66LG	2
30	322821	ROD, ADJUSTING "J" P-LIFT	1
31	120394	WASHER, FLAT .406 X .81 X .065	1
32	36368	PIN, HAIR .072 DIA. X 1.13 LG	1
33	996416	WASHER, FLAT .391 X 1.00 X .125	1
34	120377	NUT, 3/8-16 REG HX	1
35	322467	NUT, 3/8-16 REG HX NK LOC	1
36	58248-853	BRKT, REAR, HANG, SUSP.	2
37	126211	BOLT, 5/16-18X .63 CARR	4
38	• 1498	NUT, 5/16-18 REGHEXCTRLK	4
39	324618	PEDAL ASSY, DECK HEIGHT BLK	1
40	314488	PAD, LIFT PEDAL	1
41	323751	BRACKET, LIFT ARM	1
42	126211	BOLT, 5/16-18X .63 CARR	4
43	44108	NUT, 5/16-18 HWDFLCTRLK	4
44	315342	LATCH, PEDAL LIFT	1
45	314829	BOLT, .56 X .13 HSH 3/8-16	1
46	• 1499	NUT, 3/8-16 REGHXCTRLK	1
47	314489	SPRING, LIFT LATCH	1
48	314792	ROD, PIVOT	1
49	121222	PIN, COTTER .090/.086X.75	2
50	321385	ROD, MEMORY	1
51	274517	WASHER, FLAT .406X .73X.063	3
52	36368	PIN,HAIR .072DIA X 1.13LG	1
53	315341	BRACKET, MEMORY	2
54	44811	SCREW, 1/4-20X.75 HWATAP	4
55	324038	GUIDE, MEMORY ROD	1
56	• 1502	NUT, 1/4-20 REGHEXCTRLK	4
57	314969	CAP, MEMORY ROD .38ID X .75	1
58	314837	SPRING, MEMORY	1
59	321837	KNOB, MATTE BLACK	1
60	180077	SCREW, 5/16-18 X .75 HHC	1
61	1498	NUT, 5/16-18 REGHEXCTRLK	1

• STANDARD HARDWARE ITEMS.

CRAFTSMAN 43" LAWN TRACTOR MODEL 536.255880

FRONT STEERING ASSEMBLY



ALL UNNUMBERED ITEMS ARE INTERCHANGEABLE WITH OPPOSITE SIDE

NOTE: ALWAYS USE ORIGINAL EQUIPMENT PARTS. Use of service/replacement parts other than original equipment parts may void your warranty.

318549B

CRAFTSMAN 43" LAWN TRACTOR MODEL 536.255880

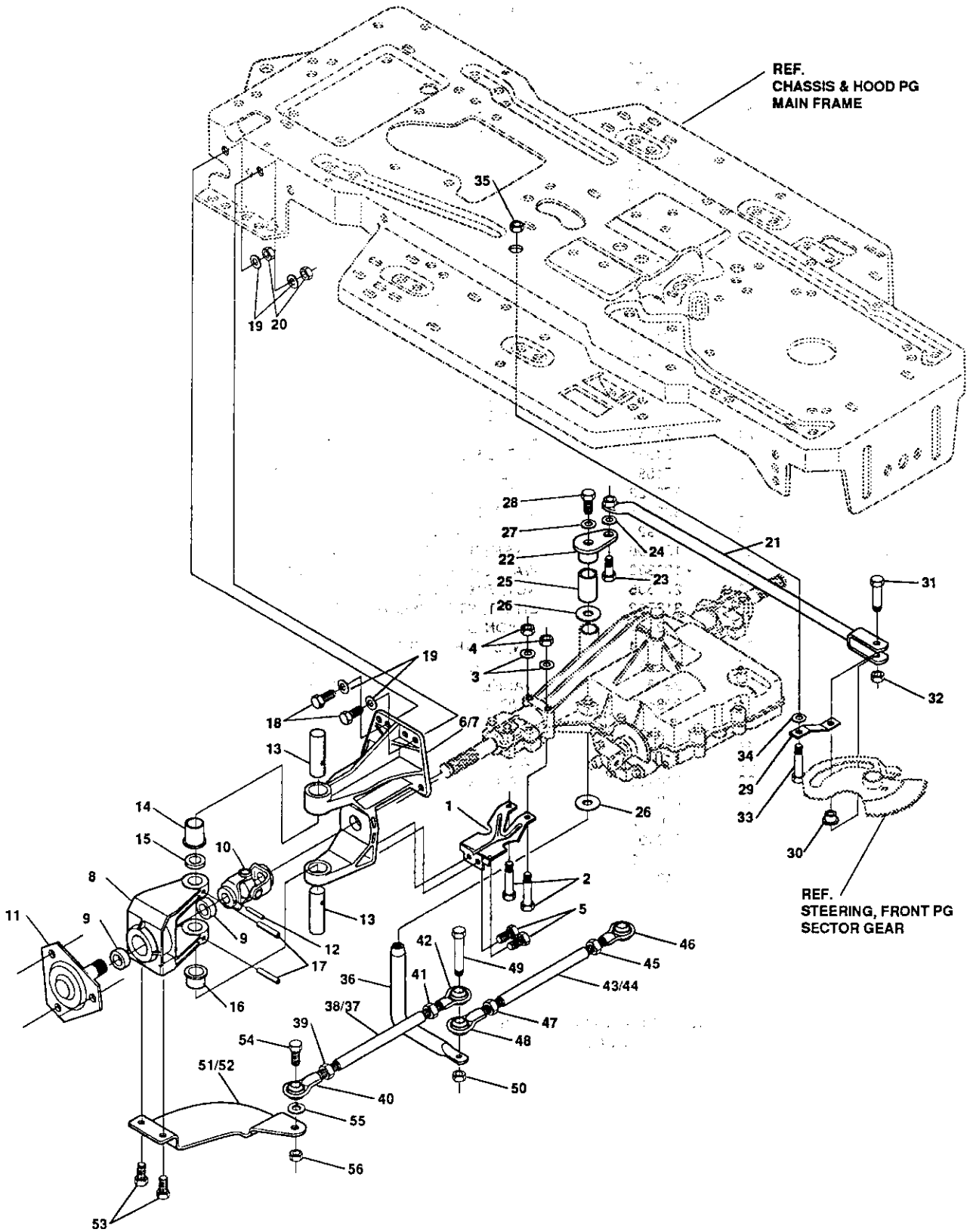
Key#	Part#	Description	Qty.
1	◊	AXLE, FRONT ASSY SUS 4WS LF	1
2	300272	ASSY, FRONT AXLE SUS	1
3	52407	SPINDLE BEARING	4
4	318539	ASSY, SPINDLE, RH LONG	1
5	318544	ASSY, SPINDLE, LH LONG	1
6	36625	RING, RETEX .57X.05TRU5133-75	2
7	53373	AXLE COVER	2
8	304590	TIE ROD ASSY, 19.81LG W-SECTION	1
9	• 180128	SCREW, 3/8-16X1.75 HHC	2
10	• 120382	WASHER, REGSPTLK.393X.68X.10	2
11	• 120377	NUT, 3/8-16 REGHEX	2
12	313634	ASSY, SECTOR GEAR 4WS LF	1
13	313629	BUSHING, SECTOR GEAR 4WS LF	1
14	313671-853	SUPPORT, SECTOR GEAR 4WS LF	1
15	315196	SCREW, 1/2-20X3.00 HHC	1
16	274654	NUT, 1/2-20 REGHXCTRLK	1
17	302498	BEARING FLANGE 0.5 BORE	1
18	323731	SCREW, 5/16-24 X.75 SQ. CONE SEMS	2
19	71100	NUT, 5/16-24 HXWDFLLK	2
20	323752	ASM. DRAGLINK 4WS LF	1
21	321449	DRAG LINK .625 DIA LF 4WS	1
22	124925	NUT, 3/8-24 REGHEXJAM	1
23	57158	BALL JOINT, 3/8 THD SHORT STUD	1
24	272123	NUT, 7/16-20 HXJAM	1
25	302865	JOINT, BALL ASSY 7/16-20	1
26	46692	NUT, 3/8-24 WDFLHLK WHIZ	1
27	120396	WASHER, FLAT .531X1.06X.095	1
28	• 120383	WASHER, REGSPTLK.459X.78X.12	1
29	271506	NUT, 7/16-20 REGHX	1
30	318702	SHAFT, STEERING 4WS LF	1
31	302314	PINION STEERING	1
32	302524	PIN, DOWEL STR ERO LT	1
33	315194	WASHER, FLAT 1.38 X .51X.043	1
34	2968	WASHER, FLAT .504X.75X.059	1
35	20864	RING, RET E .39X.04TRU5133-50	1
36	◊	TIRE , PU 15X6.0X6 (SEE TIRE TREAD PG)	2
37	24167	VALVE STEM	1
38	321908	WHEEL W/BRG.	1
39	314416	BEARING	1
40	708	ZIRK FITTING	2
41	316702	REFER TO TIRE TREAD PAGE	
42	73840	WASHER	6
43	318550	WASHER, FLAT	2
44	642	WASHER, FLAT .755 X 1.31 X .075	2
45	36625	RING, RETEX .57X.05TRU5133-75	2
46	306571	HUBCAP, 6" SILVER 325/854	2
47	306669	CLIP	8

• STANDARD HARDWARE ITEMS.

◊ ORDER INDIVIDUAL PARTS

CRAFTSMAN 43" LAWN TRACTOR MODEL 536.255880

REAR STEERING ASSEMBLY



ALL UNNUMBERED
ITEMS ARE INTERCHANGEABLE
WITH OPPOSITE SIDE

NOTE: ALWAYS USE ORIGINAL EQUIPMENT PARTS. Use of service/replacement parts other than original equipment parts may void your warranty.

3152911

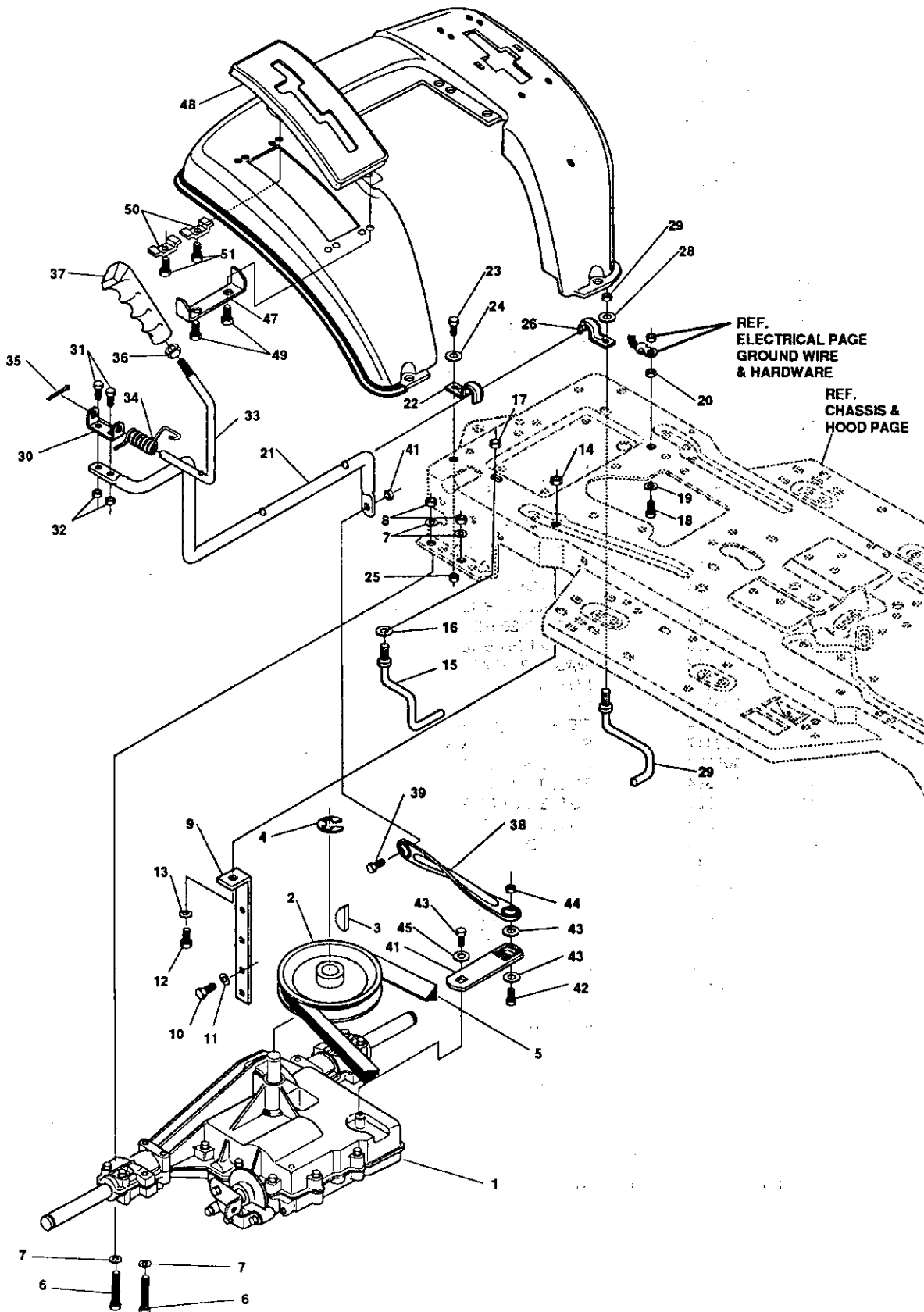
CRAFTSMAN 43" LAWN TRACTOR MODEL 536.255880

Key#	Part#	Description	Qty.
1	303222-853	BRKT X-AXLE MTG	2
2	◇ 180091	SCREW, 5/16-18X2.50 HHC	4
3	120393	WASHER, FLAT .344X .69X.065	4
4	◇ 1498	NUT, 5/16-18 REGHEXCTRLK	4
5	◇ 451814	SCREW, 5/16-18X .63HWATAP	4
6	323766	U-JOINT ASM. 4WS LD LF	2
7	314267	BRCKT, STRG PIVOT W/DRILL HOLES	2
8	12465	BRACKET, STR PIVOT	2
9	12325	BEARING	4
10	12290	U-JOINT ASSEMBLY	2
11	12280-830	HUB ASSEMBLY, GREY 861	2
12	36311	PIN, GROOVED .250 DIA X 1.50LG	2
13	12289	PIN, STEERING HINGE	4
14	12288	BUSHING, SHOULDERED (OILITE	2
15	21682	WASHER, FLAT .765X1.25X.042 PL	2
16	12321	BUSHING, SHOULDERED (OILITE	2
17	456722	PIN, SPRING .250DIA X 1.50LG HVPL	4
18	◇ 122017	SCREW, 5/16-18X1.00 HHC	8
19	120393	WASHER, FLAT .344X .69X.065	16
20	◇ 1498	NUT, 5/16-18 REGHEXCTRLK	8
21	324514	ROD ASM. DRAGLINK	1
22	308719	PIVOT, STEERING	1
23	12319	BOLT, .562X .340 HSH 3/8-24	1
24	120394	WASHER, FLAT .406X .81X.065	1
25	304115	SPACER, STEERING SHAFT	1
26	25177	WASHER, FLAT .765X1.19X.048	2
27	45602	WASHER, FLAT .333X .87X.119	1
28	◇ 421051	SCREW, 5/16-24X1.00 HHC	1
29	302594	ARM ROLLER SWING 4 W	1
30	304116	CAM YOKE ROLLER	1
31	304122	SHOULDER BOLT CAM ROLLER	1
32	◇ 274654	NUT, 1/2-20 REGHXCTRLK	1
33	324638	SHOULDER BOLT, CAM FOLLOWER	1
34	996307	WASHER, FLAT .391X1.00X.209	1
35	◇ 412349	NUT, 3/8-24 HXCTRLK	1
36	308720	SHAFT, STEERING PIVOT	1
37	323634	TIE ROD ASSY, RH	1
38	308447	ROD, TIE 1/2"D X 8.00LG	1
39	◇ 308399	NUT, 3/8-24 LH THD REGHJAM	1
40	308384	ROD, TIE END LH 3/8-24 EURO	1
41	◇ 124925	NUT, 3/8-24 REGHEXJAM	1
42	304260	ROD, TIE END, RH	1
43	323635	TIE ROD ASSY, LH	1
44	308446	ROD, TIE 1/2"D X 9.5LG	1
45	308399	NUT, 3/8-24 LH THD REGHJAM	1
46	308384	ROD, TIE END LH 3/8-24 EURO	1
47	124925	NUT, 3/8-24 REGHEXJAM	1
48	304260	ROD, TIE END RH	1
49	◇ 181646	SCREW, 3/8-24X1.75 HHC	1
50	◇ 412349	NUT, 3/8-24 HXCTRLK	1
51	304120-853	ARM RW STR ERO, RH	1
52	304121-853	ARM RW STR ERO, LH	1
53	◇ 39728	SCREW, 3/8-16X .75WAHHTAP BK	4
54	◇ 181639	SCREW, 3/8-24X1.25 HHC	2
55	120382	WASHER, REGSPTLK.393X.68X.10	2
56	◇ 412349	NUT, 3/8-24 HXCTRLK	2

◇ Indicates STANDARD HARDWARE ITEMS

CRAFTSMAN 43" LAWN TRACTOR MODEL 536.255880

MOTION DRIVE ASSEMBLY



NOTE: ALWAYS USE ORIGINAL EQUIPMENT PARTS.
Use of service/replacement parts other than original equipment parts may void your warranty.

**ALL UNNUMBERED
ITEMS ARE INTERCHANGEABLE
WITH OPPOSITE SIDE**

318523B