

**SEARS**

**OWNER'S  
MANUAL**

**MODEL NO.  
917.255692**

**Caution:**  
Read and follow  
all Safety Rules  
and Instructions  
Before Operating  
This Equipment

**3One**  
Convertible



**CRAFTSMAN<sup>®</sup>**

**14.0 HP OHV  
ELECTRIC START  
3 in One Convertible  
42" MOWER DECK  
6 SPEED TRANSAXLE  
LAWN TRACTOR**

- Assembly
- Operation
- Customer Responsibilities
- Service and Adjustment
- Repair Parts



# SAFETY RULES

## Safe Operation Practices for Ride-On Mowers



**IMPORTANT:** THIS CUTTING MACHINE IS CAPABLE OF AMPUTATING HANDS AND FEET AND THROWING OBJECTS. FAILURE TO OBSERVE THE FOLLOWING SAFETY INSTRUCTIONS COULD RESULT IN SERIOUS INJURY OR DEATH.

### I. GENERAL OPERATION

- Read, understand, and follow all instructions in the manual and on the machine before starting.
- Only allow responsible adults, who are familiar with the instructions, to operate the machine.
- Clear the area of objects such as rocks, toys, wire, etc., which could be picked up and thrown by the blade.
- Be sure the area is clear of other people before mowing. Stop machine if anyone enters the area.
- Never carry passengers.
- Do not mow in reverse unless absolutely necessary. Always look down and behind before and while backing.
- Be aware of the mower discharge direction and do not point it at anyone. Do not operate the mower without either the entire grass catcher or the guard in place.
- Slow down before turning.
- Never leave a running machine unattended. Always turn off blades, set parking brake, stop engine, and remove keys before dismounting.
- Turn off blades when not mowing.
- Stop engine before removing grass catcher or unclogging chute.
- Mow only in daylight or good artificial light.
- Do not operate the machine while under the influence of alcohol or drugs.
- Watch for traffic when operating near or crossing roadways.
- Use extra care when loading or unloading the machine into a trailer or truck.

### II. SLOPE OPERATION

Slopes are a major factor related to loss-of-control and tipover accidents, which can result in severe injury or death. All slopes require extra caution. If you cannot back up the slope or if you feel uneasy on it, do not mow it.

#### DO:

- Mow up and down slopes, not across.
- Remove obstacles such as rocks, tree limbs, etc.
- Watch for holes, ruts, or bumps. Uneven terrain could overturn the machine. *Tall grass can hide obstacles.*
- Use slow speed. Choose a low gear so that you will not have to stop or shift while on the slope.
- Follow the manufacturer's recommendations for wheel weights or counterweights to improve stability.
- Use extra care with grass catchers or other attachments. These can change the stability of the machine.
- Keep all movement on the slopes *slow* and *gradual*. Do not make sudden changes in speed or direction.
- Avoid starting or stopping on a slope. If tires lose traction, disengage the blades and proceed slowly *straight* down the slope.

#### DO NOT:

- *Do not* turn on slopes unless necessary, and then, turn slowly and gradually downhill, if possible.
- *Do not* mow near drop-offs, ditches, or embankments. The mower could suddenly turn over if a wheel is over the edge of a cliff or ditch, or if an edge caves in.
- *Do not* mow on wet grass. Reduced traction could cause sliding.
- *Do not* try to stabilize the machine by putting your foot on the ground.
- *Do not* use grass catcher on steep slopes.

### III. CHILDREN

Tragic accidents can occur if the operator is not alert to the presence of children. Children are often attracted to the machine and the mowing activity. *Never* assume that children will remain where you last saw them.

- Keep children out of the mowing area and under the watchful care of another responsible adult.
- Be alert and turn machine off if children enter the area.
- Before and when backing, look behind and *down* for small children.
- Never carry children. They may fall off and be seriously injured or interfere with safe machine operation.
- Never allow children to operate the machine.
- Use extra care when approaching blind corners, shrubs, trees, or other objects that may obscure vision.

### IV. SERVICE

- Use extra care in handling gasoline and other fuels. They are flammable and vapors are explosive.
  - Use only an approved container.
  - Never remove gas cap or add fuel with the engine running. Allow engine to cool before refueling. Do not smoke.
  - Never refuel the machine indoors.
  - Never store the machine or fuel container inside where there is an open flame, such as a water heater.
- Never run a machine inside a closed area.
- Keep nuts and bolts, especially blade attachment bolts, tight and keep equipment in good condition.
- Never tamper with safety devices. Check their proper operation regularly.
- Keep machine free of grass, leaves, or other debris build-up. Clean oil or fuel spillage. Allow machine to cool before storing.
- Stop and inspect the equipment if you strike an object. Repair, if necessary, before restarting.
- Never make adjustments or repairs with the engine running.
- Grass catcher components are subject to wear, damage, and deterioration, which could expose moving parts or allow objects to be thrown. Frequently check components and replace with manufacturer's recommended parts, when necessary.
- Mower blades are sharp and can cut. Wrap the blade(s) or wear gloves, and use extra caution when servicing them.
- Check brake operation frequently. Adjust and service as required.



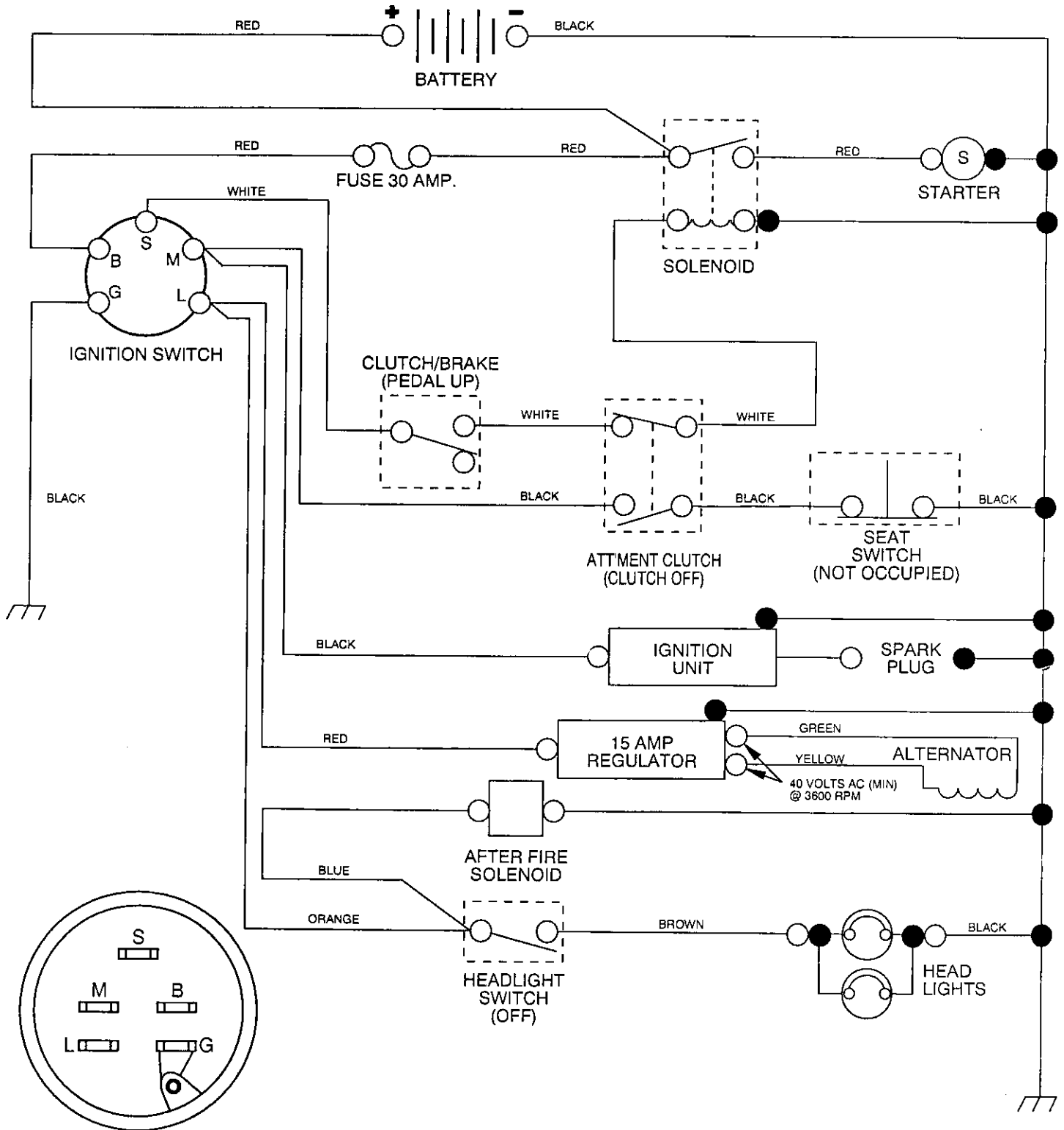
**Look for this symbol to point out important safety precautions. It means CAUTION!!! BECOME ALERT!!! YOUR SAFETY IS INVOLVED.**



**CAUTION: Always disconnect spark plug wire and place wire where it cannot contact spark plug in order to prevent accidental starting when setting up, transporting, adjusting or making repairs.**

# 14 HP 42" TRACTOR - - MODEL NUMBER 917.255692

## SCHEMATIC



IGNITION SWITCH

POSITION	CIRCUIT
OFF	M + G
ON	B + L
START	B + S + L

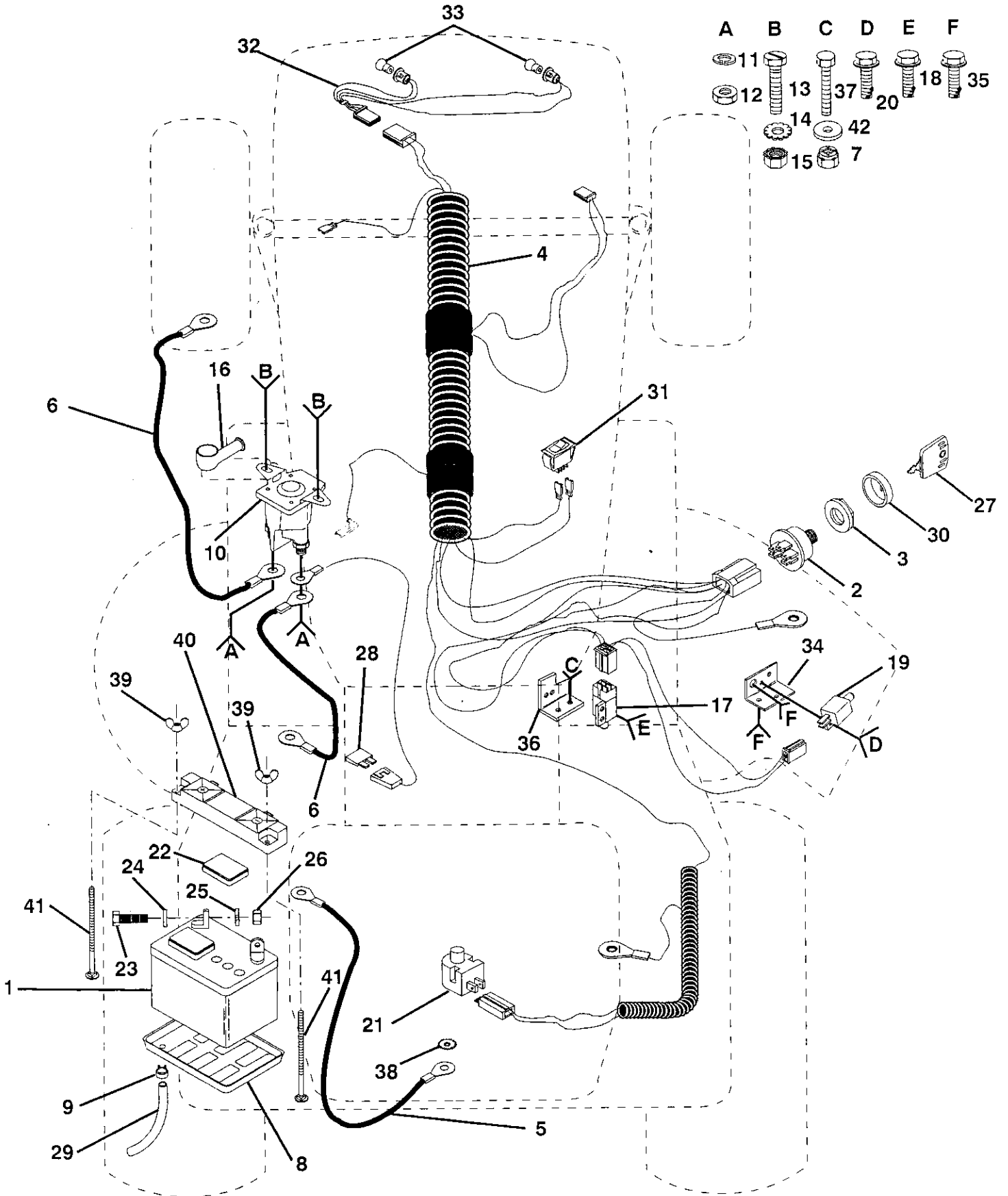
- NON-REMOVABLE CONNECTIONS
- REMOVABLE CONNECTIONS

WIRING INSULATED CLIPS  
 NOTE: IF WIRING INSULATED CLIPS WERE REMOVED FOR SERVICING OF UNIT, THEY SHOULD BE REPLACED TO PROPERLY SECURE YOUR WIRING

# REPAIR PARTS

14 HP 42" TRACTOR - - MODEL NUMBER 917.255692

## ELECTRICAL



# REPAIR PARTS

14 HP 42" TRACTOR - - MODEL NUMBER 917.255692

## ELECTRICAL

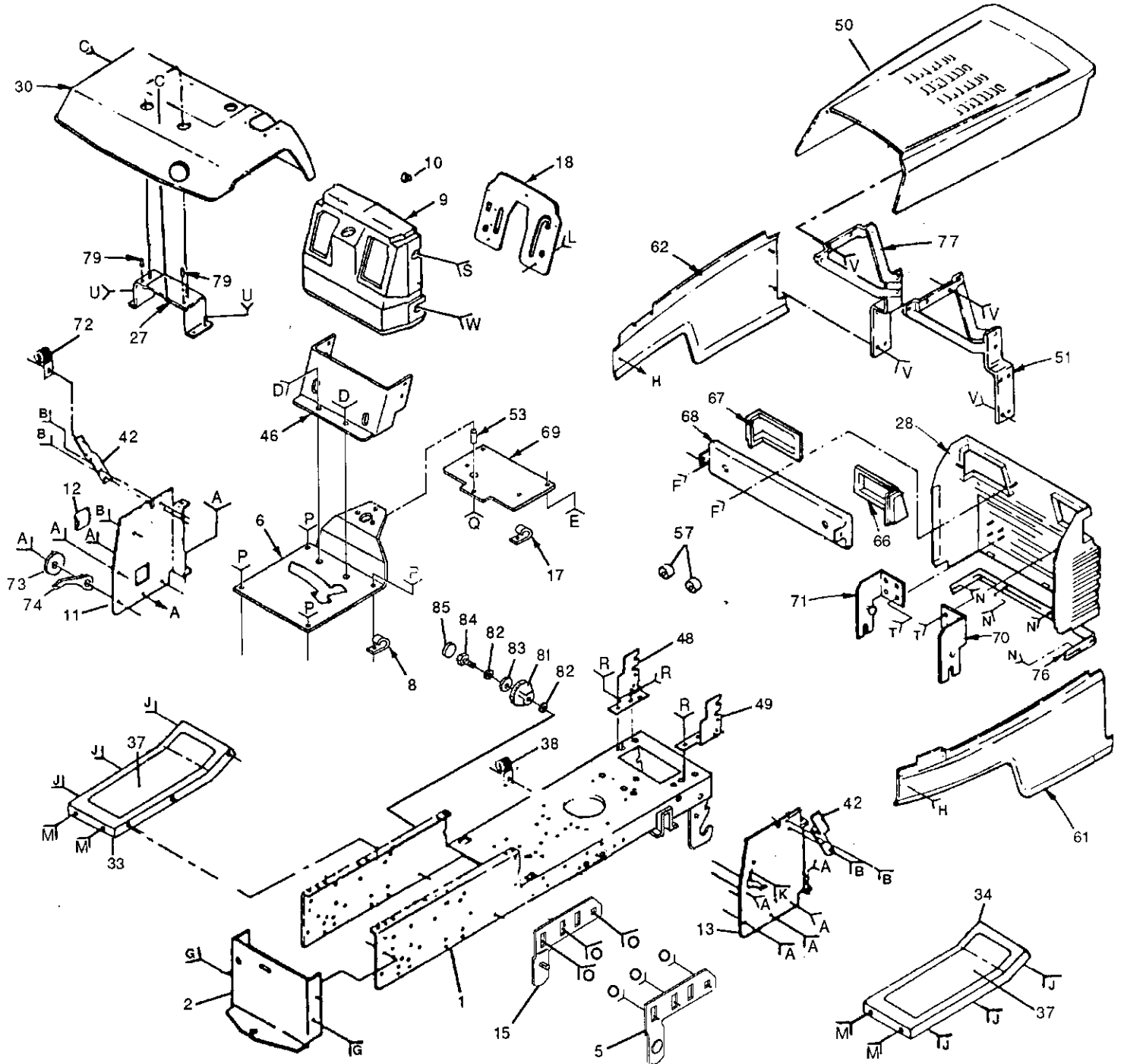
KEY PART NO.	PART NO.	DESCRIPTION
1	121537X	Battery
2	102972X	Switch, Ignition
3	124211X	Nut, Ignition
4	133135	Harness, Ignition
5	4207J	Cable, Ground
6	4206J	Cable, Battery
7	STD541437	Nut
8	7603J	Tray, Battery
9	109596X	Clamp, Hose
10	109081X	Solenoid
11	STD551125	Washer, Lock
12	73350400	Nut, Hex, Jam 1/4-20 UNC
13	74780408	Bolt, Hex, Fin. 1/4-20 UNC x 1/2 Grade 5
14	STD551225	Washer
15	STD541425	Nut
16	131563	Cover, Terminal
17	109553X	Switch, Interlock
18	STD601005	Screw
19	104445X	Switch, Interlock
20	STD601005	Screw
21	121305X	Switch, Plunger
22	121264X	Cap, Battery
23	74760412	Bolt, Hex 1/4-20 UNC x 3/4
24	STD551025	Washer
25	STD551125	Washer
26	STD541025	Nut
27	109310X	Key, Ignition
28	108824X	Fuse
29	100541K	Tube, Plastic
30	123620X	Cover, Key Switch
31	110712X	Switch, Light
32	127441X	Harness, Light Socket
33	4152J	Bulb, Light
34	108236X	Bracket, Switch
35	STD601005	Screw
36	110923X	Bracket, Switch
37	74760616	Bolt, Hex 3/8-16 x 1
38	STD551237	Washer
39	123198X	Nut, Plastic, Wing 1/4-20
40	102476X	Guard, Terminal
41	STD532575	Bolt
42	19131312	Washer 13/32 x 13/16 x 12 Gauge

**NOTE:** All component dimensions given in U.S. inches  
1 inch = 25.4 mm

# REPAIR PARTS

14 HP 42" TRACTOR - - MODEL NUMBER 917.255692

## CHASSIS AND ENCLOSURES



- |          |          |          |          |          |          |          |          |          |          |          |          |          |          |          |          |          |          |          |          |          |          |
|----------|----------|----------|----------|----------|----------|----------|----------|----------|----------|----------|----------|----------|----------|----------|----------|----------|----------|----------|----------|----------|----------|
| <b>A</b> | <b>B</b> | <b>C</b> | <b>D</b> | <b>E</b> | <b>F</b> | <b>G</b> | <b>H</b> | <b>J</b> | <b>K</b> | <b>L</b> | <b>M</b> | <b>N</b> | <b>O</b> | <b>P</b> | <b>Q</b> | <b>R</b> | <b>S</b> | <b>T</b> | <b>U</b> | <b>V</b> | <b>W</b> |
|          |          |          |          |          |          |          |          |          |          |          |          |          |          |          |          |          |          |          |          |          |          |
|          |          |          |          |          |          |          |          |          |          |          |          |          |          |          |          |          |          |          |          |          |          |
|          |          |          |          |          |          |          |          |          |          |          |          |          |          |          |          |          |          |          |          |          |          |
|          |          |          |          |          |          |          |          |          |          |          |          |          |          |          |          |          |          |          |          |          |          |
|          |          |          |          |          |          |          |          |          |          |          |          |          |          |          |          |          |          |          |          |          |          |

# REPAIR PARTS

## 14 HP 42" TRACTOR - - MODEL NUMBER 917.255692

### CHASSIS AND ENCLOSURES

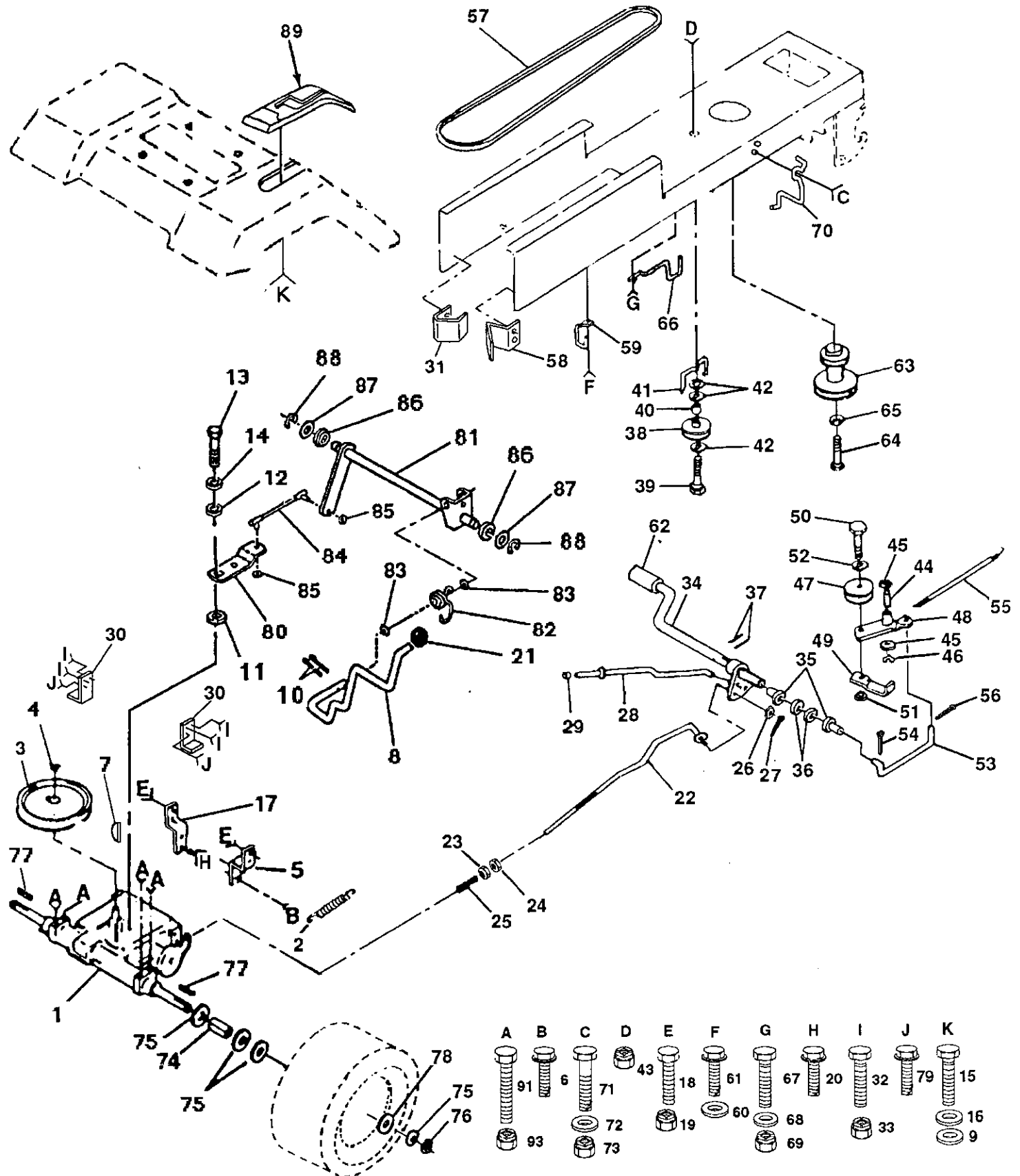
KEY PART NO. NO.	DESCRIPTION	KEY PART NO. NO.	DESCRIPTION
1 135034	Chassis	46 105518X	Dash, Lower
2 130805	Drawbar	47 17490608	Screw, Thd., Roll. 3/8-16 x 1/2 Type TT
3 17490612	Screw, Thd., Roll. 3/8-16 x 3/4 Type TT	48 109015X	Bracket Assembly, Front Pivot Hinge, LH
4 72140606	Bolt, Carriage 3/8-16 x 3/4	49 109016X	Bracket Assembly, Front Pivot Hinge, RH
5 134775	Bracket Assembly, Pivot, RH	50 106013X459	Hood Assembly
6 123783X012	Saddle, Silkscreened	51 106091X	Hinge Assembly, RH
7 17490608	Screw, Thd., Roll. 3/8-16 x 1/2 Type TT	52 19131416	Washer 13/32 x 7/8 x 16 Gauge
8 2751R	Clip, Fuel Line	53 121236X	Spacer, Split
9 120028X	Dash, Plastic	54 108067X	Nut, Pal
10 5479J	Plug, Button	55 108402X	U Clip, Alluminum
11 124118X	Panel, Dash, LH	56 17490612	Screw, Thd., Roll. 3/8-16 x 3/4 Type TT
12 121794X	Cover, Access	57 110436X	Bushing, Snap, Split
13 133748	Panel, Dash, RH	58 STD551137	Washer, Lock
14 17490612	Screw, Thd., Roll. 3/8-16 x 3/4 Type TT	59 STD541037	Nut
15 134774	Bracket Assembly, Pivot, LH	60 STD533727	Bolt
16 STD533710	Bolt	61 108403X459	Panel Assembly, RH
17 2751R	Clip, Fuel Line	62 108410X459	Panel Assembly, LH
18 129621X012	Plate, Dash	63 STD523707	Bolt
19 74180412	Screw, Machine 1/4-20 x 3/4	64 106909X	Screw, Special, Dacrotized
20 STD551025	Washer 17/64	65 106910X	Washer, Alluminum
21 STD541425	Nut	66 106003X	Lens, Headlight, RH
22 74180512	Screw, Machine, Truss Head 5/16-18 UNC x 3/4	67 106004X	Lens, Headlight, LH
23 73680500	Nut, Crownlock 5/16-18	68 132257	Bezel, Light
24 STD523707	Bolt	69 128231	Plate, Support, Battery
25 19131312	Washer 13/32 x 13/16 x 12 Gauge	70 108512X	Bracket Assembly, Pivot, RH
26 STD541437	Nut	71 108513X	Bracket Assembly, Pivot, LH
27 105509X	Bracket Assembly, Fender	72 5320R	Clip, Insulated
28 105528X	Grill	73 120529X	Washer, Nylon .44 x .75 x .032
29 STD541431	Nut, Crownlock 5/16-18	74 123933X394	Pointer, Height Indicator
30 123784X459	Fender	75 108067X	Nut, Pal
31 73680600	Nut, Crownlock	76 110350X459	Strap Assembly, Grill
32 STD523120	Bolt, Hex 5/16-18 x 2	77 106090X	Hinge Assembly, LH
33 105465X459	Footrest, LH	78 108067X	Nut, Pal
34 105464X459	Footrest, RH	79 105531X	Nut, Push, Nylon
35 STD533707	Bolt	80 17490612	Screw, Thd. Roll. 3/8-16 x 3/4 Type TT
36 STD541437	Nut	81 123934X	Scale, Height Indicator
37 105466X	Pad, Footrest	82 19112410	Washer 11/32 x 1-1/2 x 10 Gauge
38 2751R	Clip, Fuel Line	83 STD551131	Washer, Lock
39 STD551237	Washer	84 74780516	Bolt, Hex, Fin. 5/16-18 UNC x 1
40 STD541437	Nut	85 120579X	Nut, Pal
41 121235X	Spacer, Split	86 123935X	Plug, Hole
42 105525X	Bracket, Support, Dash		
43 STD523707	Bolt		
44 STD523707	Bolt		
45 STD541437	Nut		

**NOTE:** All component dimensions given in U.S. inches  
1 inch = 25.4 mm

# REPAIR PARTS

14 HP 42" TRACTOR - - MODEL NUMBER 917.255692

## DRIVE



# REPAIR PARTS

## 14 HP 42" TRACTOR - - MODEL NUMBER 917.255692

### DRIVE

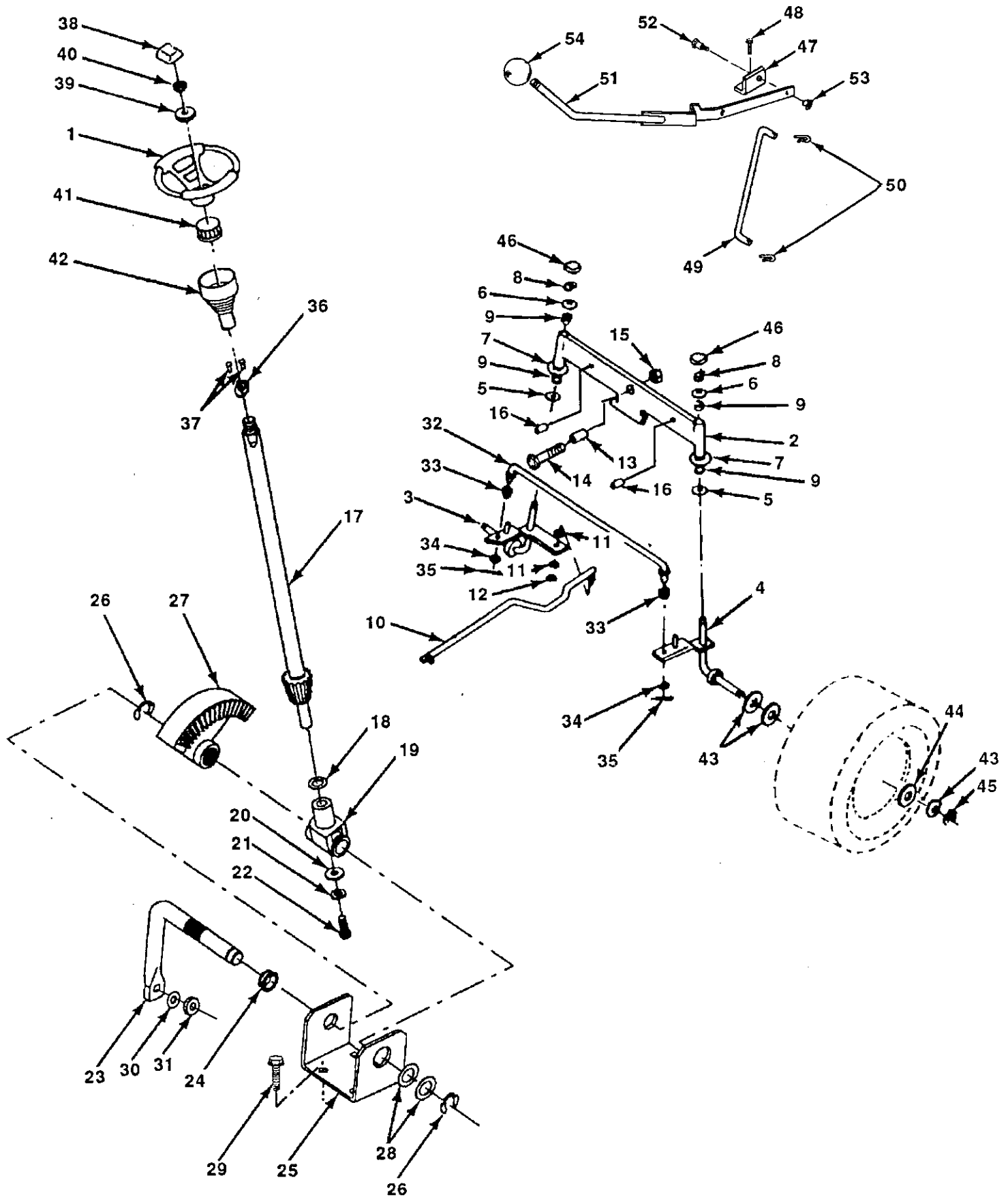
KEY PART NO. NO.	DESCRIPTION	KEY PART NO. NO.	DESCRIPTION		
1	136168	48	123789X	Transaxle, Dana, 6 Speed	Bellcrank Assembly
2	110422X	49	123205X	Spring, Return, Brake	Retainer, Belt
3	123667X	50	STD523715	Pulley, Transaxle	Bolt
4	12000028	51	STD541437	Ring, Retainer	Nut
5	121520X	52	STD551037	Strap, Torque	Washer
6	17490512	53	105710X	Screw, Thd., Roll. 5/16-18 x 3/4 Type T	Link, Clutch
7	2228M	54	STD561210	Key, Woodruff	Pin
8	127288X	55	105709X	Rod, Shifter, Fender	Spring, Return, Clutch
9	19060718	56	STD561210	Washer 3/16 x 7/16 x 18 Gauge	Pin
10	STD561210	57	131006	Pin	V-Belt, Ground Drive
11	105701X	58	127290	Washer, Plate, Shifter	Keeper, Belt, RH
12	19151216	59	104777X	Washer 15/32 x 3/4 x 16 Gauge	Retainer, Belt, Chassis
13	71040412	60	19131312	Bolt, Hex, Fin. 1/4-28 UNF x 3/4 Grade 8	Washer 13/32 x 13/16 x 12 Gauge
14	STD551125	61	17490612	Washer, Lock, Heavy Helical Spring	Screw, Thd., Roll. 3/8-16 x 3/4 Type TT
15	74640808	62	8883R	Screw #8 x 1/2	Cover, Pedal, Round
16	10100800	63	134825	Washer, Lock #8	Pulley, Engine
17	121520X	64	M010110100	Strap, Torque	Bolt, Hex M10-1.5 x 100
18	STD523707	65	STD551143	Bolt	Washer
19	STD541437	66	129921	Nut	Keeper, Belt, Engine, LH
20	17490512	67	STD523710	Screw, Thd., Roll. 5/16-18 x 3/4 Type T	Bolt
21	106933X	68	19131312	Knob, Round	Washer 13/32 x 13/16 x 12 Gauge
22	130804	69	STD541437	Rod, Brake	Nut
23	STD541437	70	134683	Locknut	Guide, Mower Drive Belt, RH
24	STD541237	71	STD523710	Nut	Bolt
25	106888X	72	19132012	Spring, Rod, Brake	Washer 13/32 x 1-1/4 x 12 Gauge
26	STD551037	73	STD541437	Washer	Nut
27	STD561210	74	109502X	Pin	Spacer, Split
28	133261	75	121749X	Rod, Parking Brake	Washer 25/32 x 1-1/4 x 16 Gauge
29	124236X	76	STD581075	Cap, Parking Brake, Red	E-Ring
30	130807	77	123583X	Bracket, Transaxle Mounting	Key, Square 2.0 x .1845/.1865
31	127289	78	121748X	Keeper, Belt, LH	Washer 25/32 x 1-5/8 x 16 Gauge
32	STD523107	79	17490612	Bolt	Screw, Thd., Roll. 3/8-16 x 3/4 Type TT
33	STD541431	80	131487	Nut	Arm, Shift, Transaxle
34	122424X	81	131811	Shaft Assembly, Foot Pedal	Shaft Assembly, Shifter
35	120183X	82	123782X	Bearing, Nylon	Spring, Torsion, Transaxle
36	STD551062	83	19171216	Washer	Washer 17/32 x 3/4 x 16 Gauge
37	STD571810	84	132183	Pin, Roll	Tie Rod
38	123674X	85	73530400	Pulley, Idler, Flat	Nut, Nylock 1/4-28
39	STD523727	86	127272X	Bolt	Bushing, Pivot
40	4470J	87	126591X	Spacer, Split	Washer, Shim .53 x 1.25 x .0598
41	109070X	88	STD581050	Keeper, Belt Retainer	E-Ring
42	19131312	89	127287X	Washer 13/32 x 13/16 x 12 Gauge	Console, Shifter, 6 Speed
43	STD541437	90	STD541431	Nut	Nut
44	105706X	91	74760540	Bearing, Nylon	Bolt, Hex, Fin. 5/16-18 UNC x 2-1/2
45	110812X			Washer, Hardened	
46	12000039			Ring, Klip	
47	127783			Pulley, Idler, V-Groove	

**NOTE:** All component dimensions given in U.S. inches  
1 inch = 25.4 mm

# REPAIR PARTS

14 HP 42" TRACTOR - - MODEL NUMBER 917.255692

## STEERING ASSEMBLY



# REPAIR PARTS

## 14 HP 42" TRACTOR - - MODEL NUMBER 917.255692

### STEERING ASSEMBLY

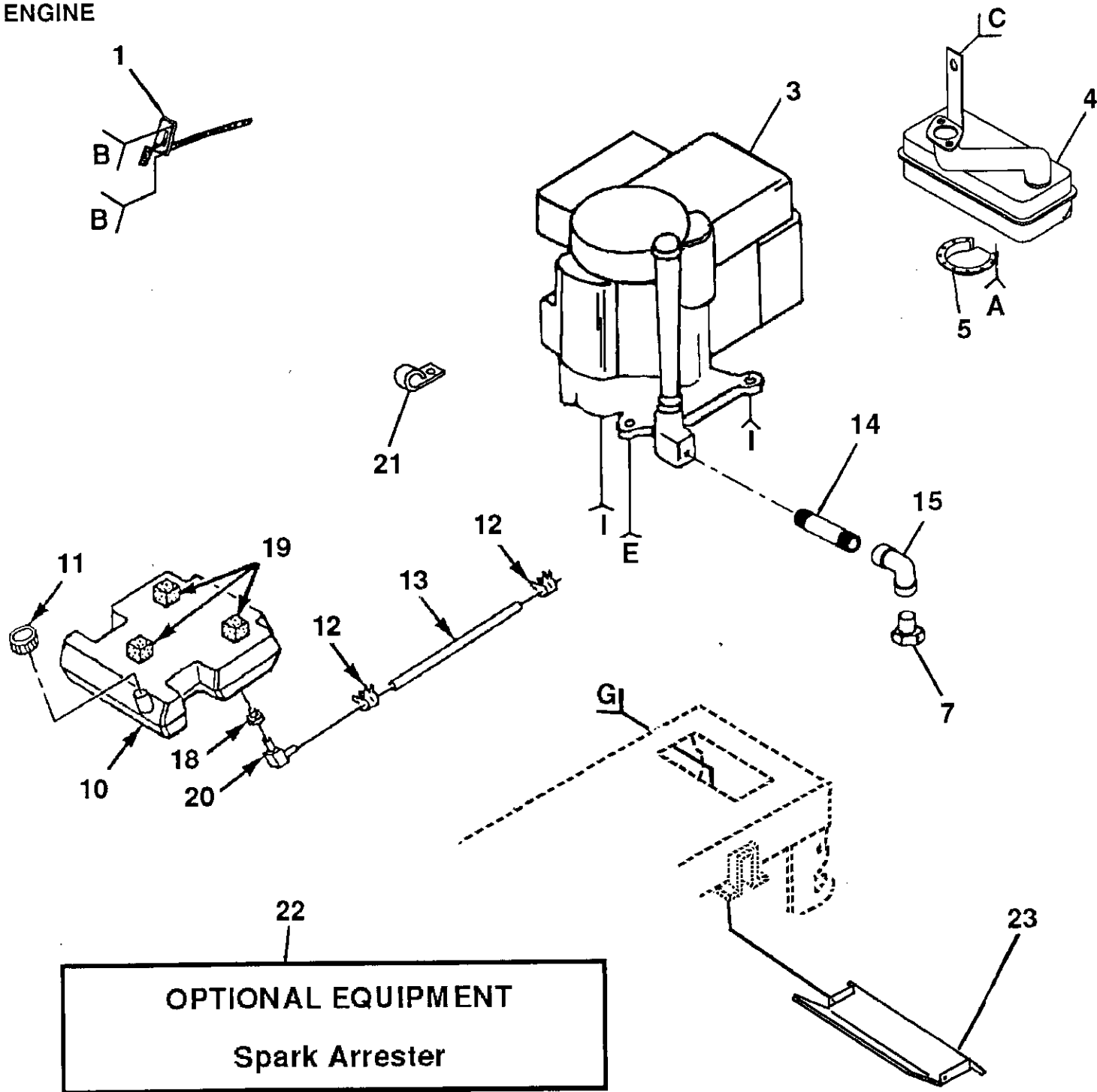
KEY PART NO. NO.	DESCRIPTION
1 133741	Steering Wheel
2 131450	Axle Assembly, Front
3 135227	Spindle Assembly, LH
4 135228	Spindle Assembly, RH
5 6266H	Bearing, Race, Thrust, Hardened
6 121748X	Washer 25/32 x 1-5/8 x 16 Gauge
7 19272016	Washer 27/32 x 1-1/4 x 16 Gauge
8 12000029	Ring, Klip
9 3366R	Bearing
10 130468	Link, Drag
11 STD551137	Washer, Lock
12 73610600	Nut, Hex, Fin. 3/8-24 UNF
13 110438X	Spacer, Bearing, Front Axle
14 74011056	Bolt, Hex 5/8-11 UNC x 3-1/2
15 73601000	Locknut, Hex, Jam, with Washer Insert 5/8-11 UNC
16 132624	Pin, Axle, Large 5/8 x 1.55/1.54
17 128755	Shaft Assembly, Steering
18 57079	Washer, Thrust .515 x .750 x .033
19 124035X	Support, Shaft
20 126684X	Washer, Shim 1/4 x 5/8 x .062
21 STD551125	Washer
22 71070410	Screw, Hex Socket Head 1/4-20 x 5/8
23 127501	Shaft Assembly, Pittman
24 109816X	Nyliner, Snap-In
25 124036X	Bracket, Steering
26 12000029	Ring, Klip
27 124034X	Gear, Sector
28 6266H	Bearing, Race, Thrust, Hardened
29 17490612	Screw, Thd., Roll. 3/8-16 x 3/4 Type TT
30 STD551137	Washer, Lock
31 73610600	Nut, Hex, Fin. 3/8-24 UNF
32 130465	Tie Rod
33 126847X	Bushing, Link, Drag
34 19131416	Washer 13/32 x 7/8 x 16 Gauge
35 STD561210	Pin
36 1554J	Bushing, Steering
37 STD523710	Bolt
38 133742	Insert, Cap, Steering Wheel
39 100712K	Washer .53 x 2.25 x .160
40 STD541350	Nut
41 100711L	Adapter, Steering Wheel
42 110709X	Column, Steering
43 121749X	Washer 25/32 x 1-1/4 x 16 Gauge
44 121748X	Washer 25/32 x 1-5/8 x 16 Gauge
45 12000029	Ring, Klip
46 121232X	Cap, Spindle
47 131672	Bracket, Pivot, Manual Clutch Lever
48 17490612	Screw, Thd. Roll. 3/8-16 x 3/4 Type TT
49 131291	Link, Clutch, with Nibs
50 STD561210	Pin
51 125916X	Lever Assembly, Mower Clutch
52 106451X	Bolt, Shoulder 3/8-16 UNC Grade 2
53 STD541437	Nut
54 106933X	Knob, Round

NOTE: All component dimensions given in U.S. inches  
1 inch = 25.4 mm

# REPAIR PARTS

14 HP 42" TRACTOR - - MODEL NUMBER 917.255692

## ENGINE



# REPAIR PARTS

## 14 HP 42" TRACTOR - - MODEL NUMBER 917.255692

### ENGINE

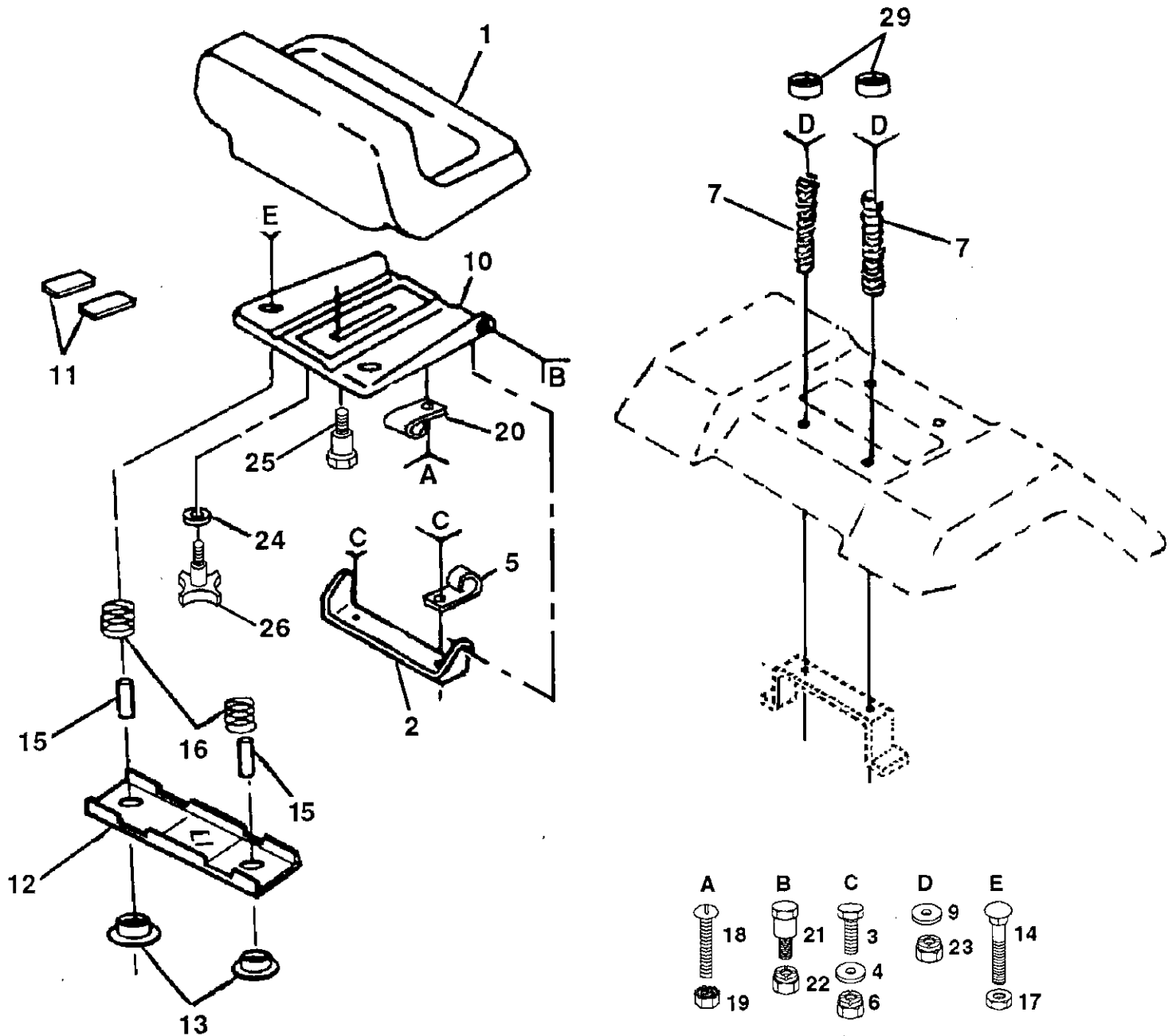
KEY PART NO.	NO.	DESCRIPTION
1	134265	Control, Throttle
2	17720410	Screw, Hex Head, Thread Cutting 1/4-20 x 5/8
3	132499	Engine, Kohler, 14 HP, Model No. CV14S, Type No. 1445
4	124196X	Muffler, Exhaust
5	101326L	Deflector, Muffler
6	17030808	Screw, Hex Head, Spiderlock #8 x 1/2 AB
7	---	Plug, Oil Drain (Order From Engine Manufacturer)
8	STD551131	Washer, Lock
9	STD523105	Bolt
10	106020X	Tank, Fuel
11	123549X	Cap Assembly, Fuel
12	123487X	Clamp, Hose
13	8543R	Line, Fuel
14	13280336	Nipple, Pipe
15	13200300	Elbow, Standard 90°, 3/8-18 NPT
16	STD551231	Washer
17	M010208025	Screw M8 x 1.25 x 25mm
18	3645J	Bushing
19	106082X	Spacer, Pad
20	8710J	Stem, Fuel Tank
21	2751R	Clip, Fuel Line
22	121851X	Arrester, Spark
23	128953	Shield, Heat
24	STD601005	Screw

**NOTE:** All component dimensions given in U.S. inches  
1 inch = 25.4 mm

# REPAIR PARTS

14 HP 42" TRACTOR - - MODEL NUMBER 917.255692

## SEAT ASSEMBLY



**KEY PART  
NO. NO.**

**DESCRIPTION**

1	127438X	Seat
2	126656X	Bracket, Pivot, Seat
3	STD523707	Bolt
4	19131210	Washer 13/32 x 3/4 x 10 Gauge
5	2751R	Clip, Fuel Line
6	STD541437	Nut
7	124181X	Spring, Seat
9	19131614	Washer 13/32 x 1 x 14 Gauge
10	131451	Pan, Seat
11	121251X	Strip, Foam
12	121246X	Bracket, Switch Mounting
13	121248X	Bushing, Snap, Nylon
14	72050411	Bolt, Carriage 1/4-20 x 1-3/8
15	134300	Spacer, Split

**KEY PART  
NO. NO.**

**DESCRIPTION**

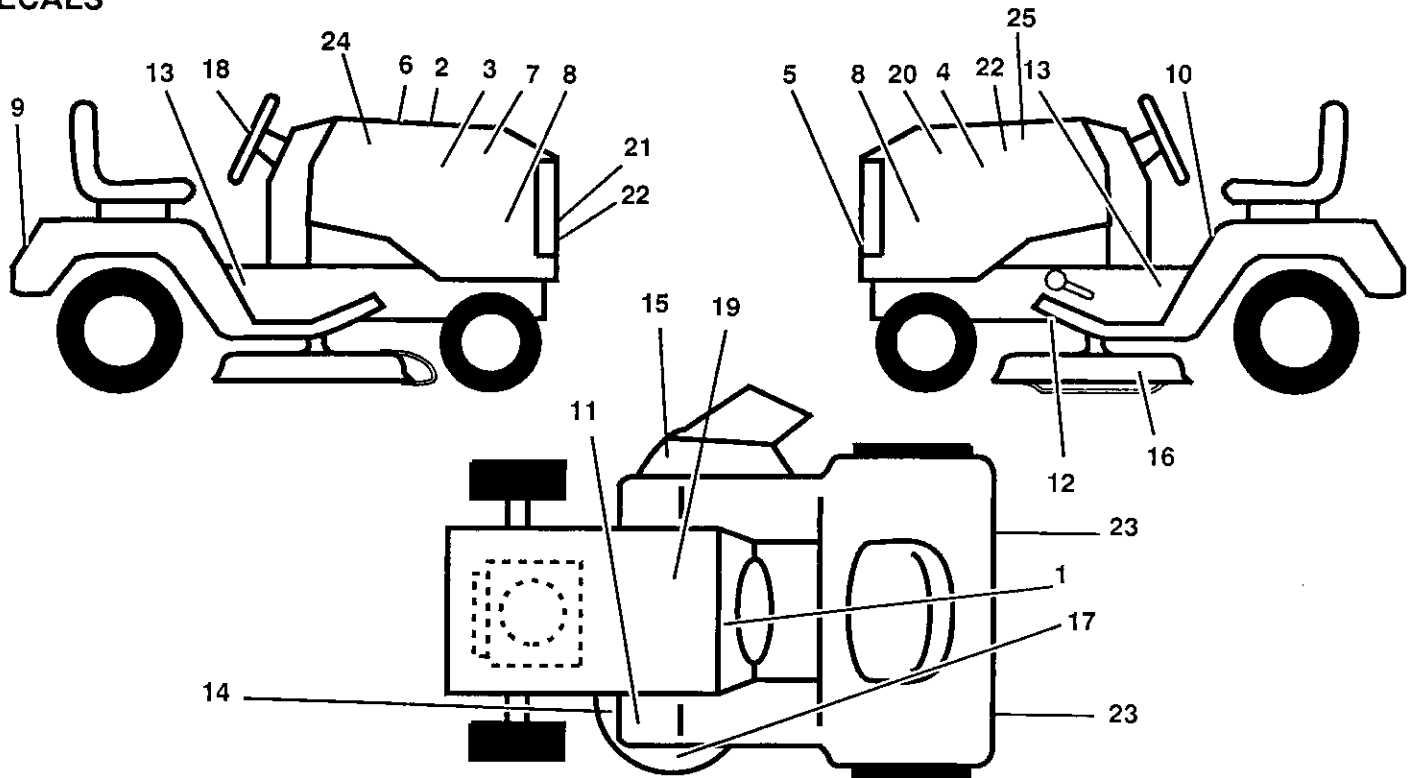
16	121250X	Spring
17	123976X	Nut, Flangelock 1/4 Grade 5
18	STD511005	Screw
19	73951000	Nut, Keps #10-32 UNF
20	4171R	Clip, Insulated
21	105529X	Bolt, Shoulder 5/16-18 UNC
22	STD541431	Nut
24	19171912	Washer 17/32 x 1-3/16 x 12 Gauge
25	127018X	Bolt, Shoulder 5/16-18 x .62
26	120068X	Knob, Seat
27	STD541437	Nut
29	124238X	Cap, Spring, Seat

**NOTE:** All component dimensions given in U.S. inches  
1 inch = 25.4 mm

# REPAIR PARTS

14 HP 42" TRACTOR - - MODEL NUMBER 917.255692

## DECALS



### KEY PART NO. NO.

### DESCRIPTION

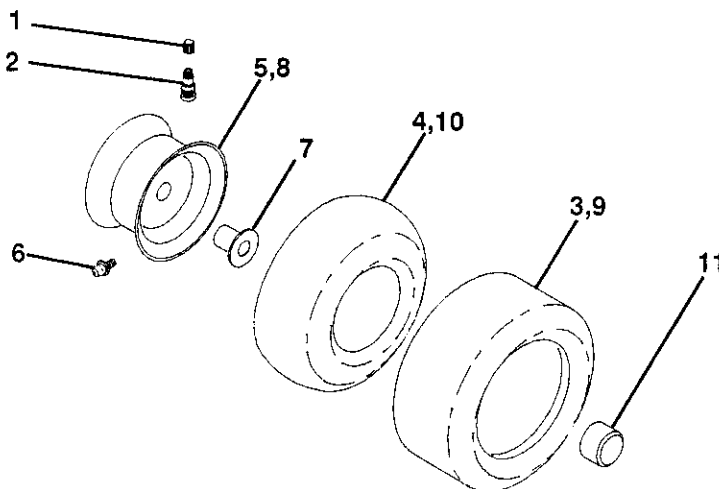
1	108456X	Decal, Operating Instruction
2	133178	Decal, Mower, 3 in One
3	128490	Decal, Hood, Craftsman, RH
4	128491	Decal, Hood, Craftsman, LH
5	105806X	Decal, Grille, Craftsman
6	133644	Decal, Maintenance
7	106814X	Decal, Side Panel, Stripe, RH
8	133204	Decal, Side Panel, Kohler OHV/14 HP
9	128314	Decal, Fender, Craftsman
10	133796	Decal, Caution
11	4900J	Decal, Clutch/Brake
12	109199X	Decal, V-Belt Drive Schematic

### KEY PART NO. NO.

### DESCRIPTION

13	131473	Decal, Chassis, 6 Speed/42"
14	130981	Decal, V-Belt Schematic
15	121343X	Decal, Danger
16	3713J	Decal, Rotating Blades
17	133179	Decal, Mower QC System
18	132268	Decal, Instruction
19	120960X	Decal, Battery
20	106813X	Decal, Side Panel, Stripe, LH
21	132271	Decal, LT4000
22	128258	Decal, Hood & Grill, LT4000
23	106202X	Reflector, Taillight
24	108743X	Decal, Hood, Stripe, LH
25	108744X	Decal, Hood, Stripe, RH
--	136219	Manual, Owner's

## WHEELS & TIRES



### KEY PART NO. NO.

### DESCRIPTION

1	59192	Cap, Valve, Tire
2	65139	Stem, Valve
3	106222X	Tire, Front
4	59904	Tube, Front (Service Item Only)
5	106732X311	Rim Assembly, Front
6	278H	Fitting, Grease (Front Wheel Only)
7	9040H	Bearing, Flange (Front Wheel Only)
8	106108X311	Rim Assembly, Rear
9	124632X	Tire, Rear
10	7152J	Tube, Rear (Service Item Only)
11	104757X	Cap, Axle

NOTE: All component dimensions given in U.S. inches  
1 inch = 25.4 mm

# REPAIR PARTS

14 HP 42" TRACTOR - - MODEL NUMBER 917.255692

## 42" MOWER DECK

