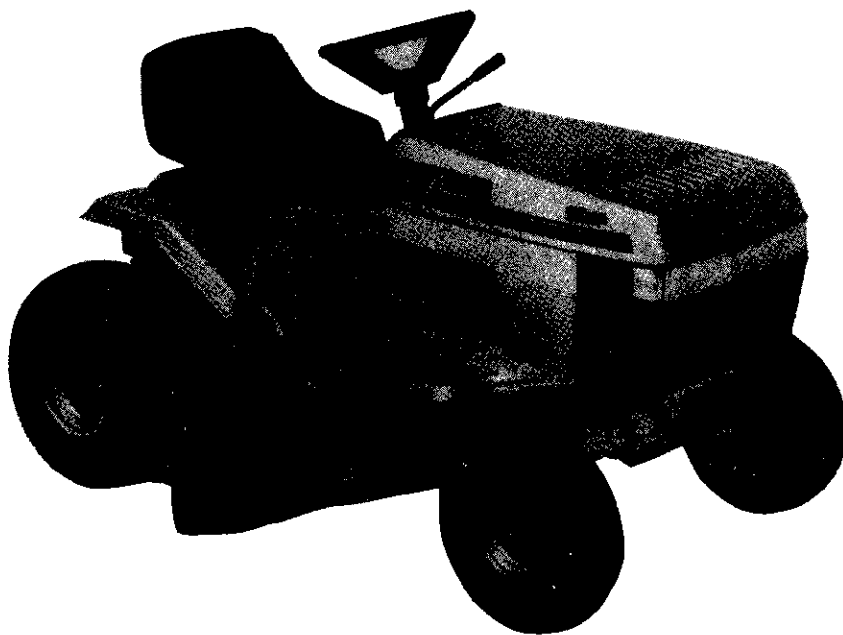


SEARS

owners manual

Model No.
502.255530



CRAFTSMAN

12 HP. ELECTRIC START 38" MOWER

4 SPEED

LAWN TRACTOR

CAUTION:

Read And Follow
All Safety Rules
And Instructions Before
Operating This
Equipment.

- Assembly
- Operation
- Customer Responsibilities
- Maintenance
- Service and Adjustment
- Repair Parts

SAFETY RULES

Safe Operation Practices for Riding Vehicles
As Recommended by American National Standards Institute

This cutting machine is capable of amputating hands and feet and throwing objects. Failure to observe the following safety instructions could result in serious injury or death to the operator or bystanders.

GENERAL OPERATION:

1. Read, understand and follow all instructions in the Instruction Book, on the machine, the engine and with any attachments before starting.
2. Only allow responsible adults familiar with the instructions to operate the machine.
3. Clear the area of objects such as rocks, toys, wire, etc. which could be picked up and thrown by the blade.
4. Be sure the area is clear of other people before mowing. Stop the machine if anyone enters the area.
5. Never carry passengers.
6. Disengage power to the mower or any attachments before backing up. Do not mow in reverse unless absolutely necessary. Always look down and behind before and while backing.
7. Be aware of the direction the mower discharges. Do not point discharge from the mower at anyone or at places where people may be. Do not operate the mower without either the entire grass bagger or the mower guard in place.
8. Slow down before turning.
9. Never leave a machine unattended with the engine running. Always disengage the blade(s), set the parking brake, stop the engine and remove the key before dismounting.
10. Disengage power to attachment(s) when transporting or not in use. Disengage the blade(s) when not mowing.
11. Stop the engine before removing the grass bagger or unclogging the chute.
12. Mow only in daylight or good artificial light.
13. Do not operate the machine while under the influence of alcohol or drugs or when very tired.
14. Watch for traffic when operating near or crossing roadways.
16. Use extra caution when loading or unloading the machine when using a trailer or truck for transporting.
16. Disengage all attachment clutches and shift into Neutral before attempting to start the engine.
17. Always wear safety glasses or an eye shield when you operate the unit to protect your eyes from foreign objects that can be thrown from the unit. Always wear eye protection when you make an adjustment or repair to the machine.
18. Use care when pulling loads or using heavy equipment.
 - a. Use only approved drawbar hitch points.
 - b. Limit loads to those you can safely control.
 - c. Do not turn sharply. Use care when backing.
 - d. Use counterweights or wheel weights when suggested in the Instruction Book.

SLOPE OPERATION:

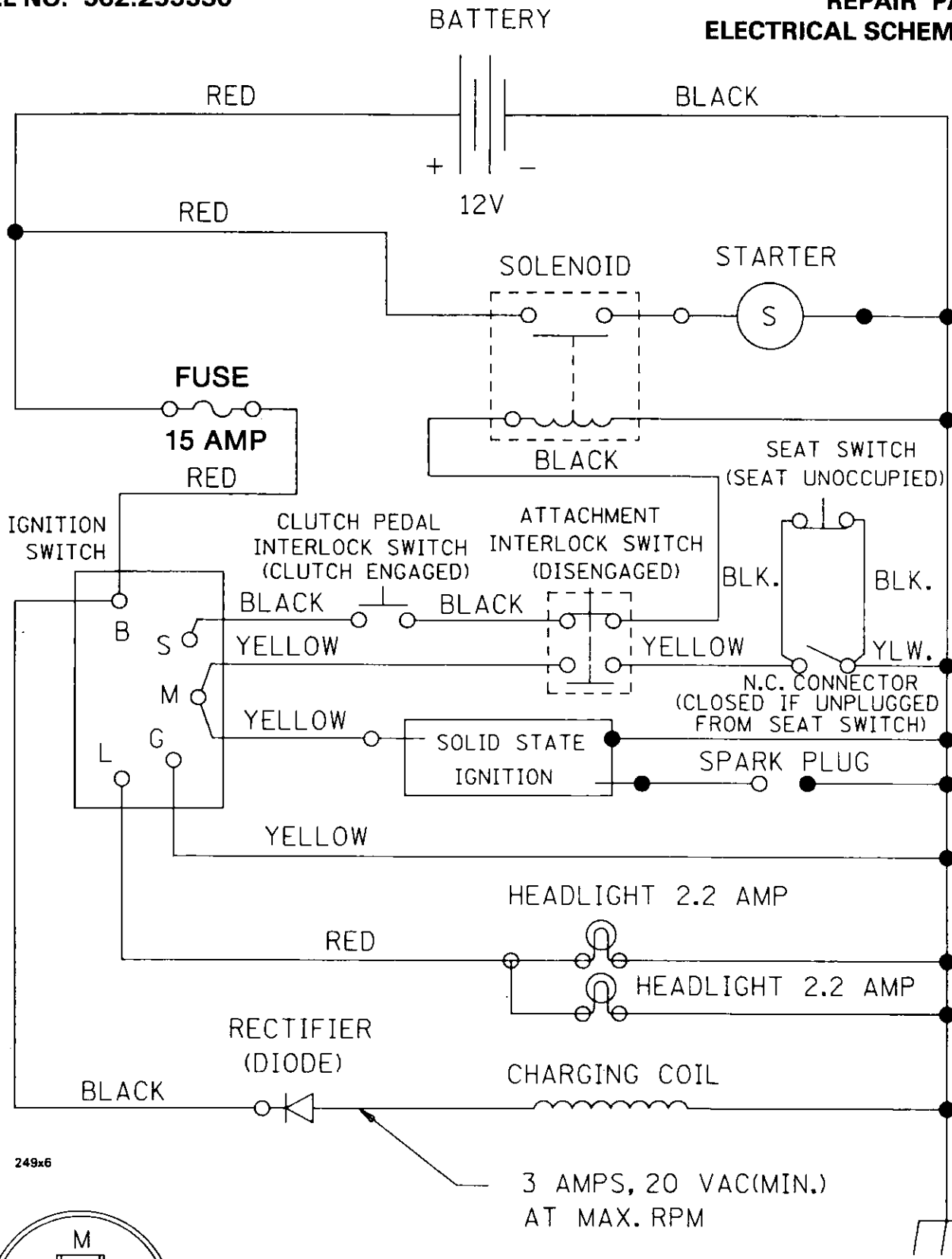
Slopes and rough terrain are major factors related to loss of control and tip over accidents which can result in severe injury or death. ALL slopes require extra caution. If you cannot back up the slope or if you feel uneasy on the slope, do not mow it. See the "Slope Guide" in the back of this book to check for safe operation.

DO

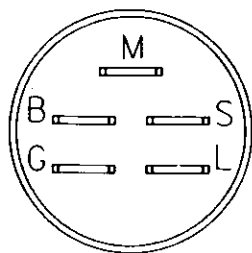
1. Mow up and down slopes, not across.
2. Remove obstacles such as rocks, limbs, etc...
3. Watch for holes, ruts or bumps. Uneven terrain could overturn the machine. **Tall grass can hide obstacles.**
4. Use slow speed. Choose a low enough gear so that you will not have to stop or shift while on the slope.
5. Follow the manufacturer's recommendations for wheel weights or counterweights to improve stability.
6. Use extra care with grass baggers or other attachments, they can change the stability of the machine.
7. Keep all movement on the slopes **slow and gradual**. Do not make sudden changes in speed or direction.
8. Avoid starting or stopping on a slope. If tires lose traction, disengage the blades and proceed slowly **straight down** the slope.

DO NOT

1. **Do not** turn on slopes unless absolutely necessary, then only turn slowly and gradually downhill, if possible.
2. **Do not** mow near drop-offs, ditches or embankments. A wheel over the edge or an edge caving in could cause a sudden overturn and an injury or death.
3. **Do not** mow on wet grass. Reduced traction could cause sliding.
4. **Do not** try to stabilize the machine by putting your foot on the ground.
5. **Do not** use a grass bagger or other rear mounted accessories on steep slopes (greater than 10°).



249x6



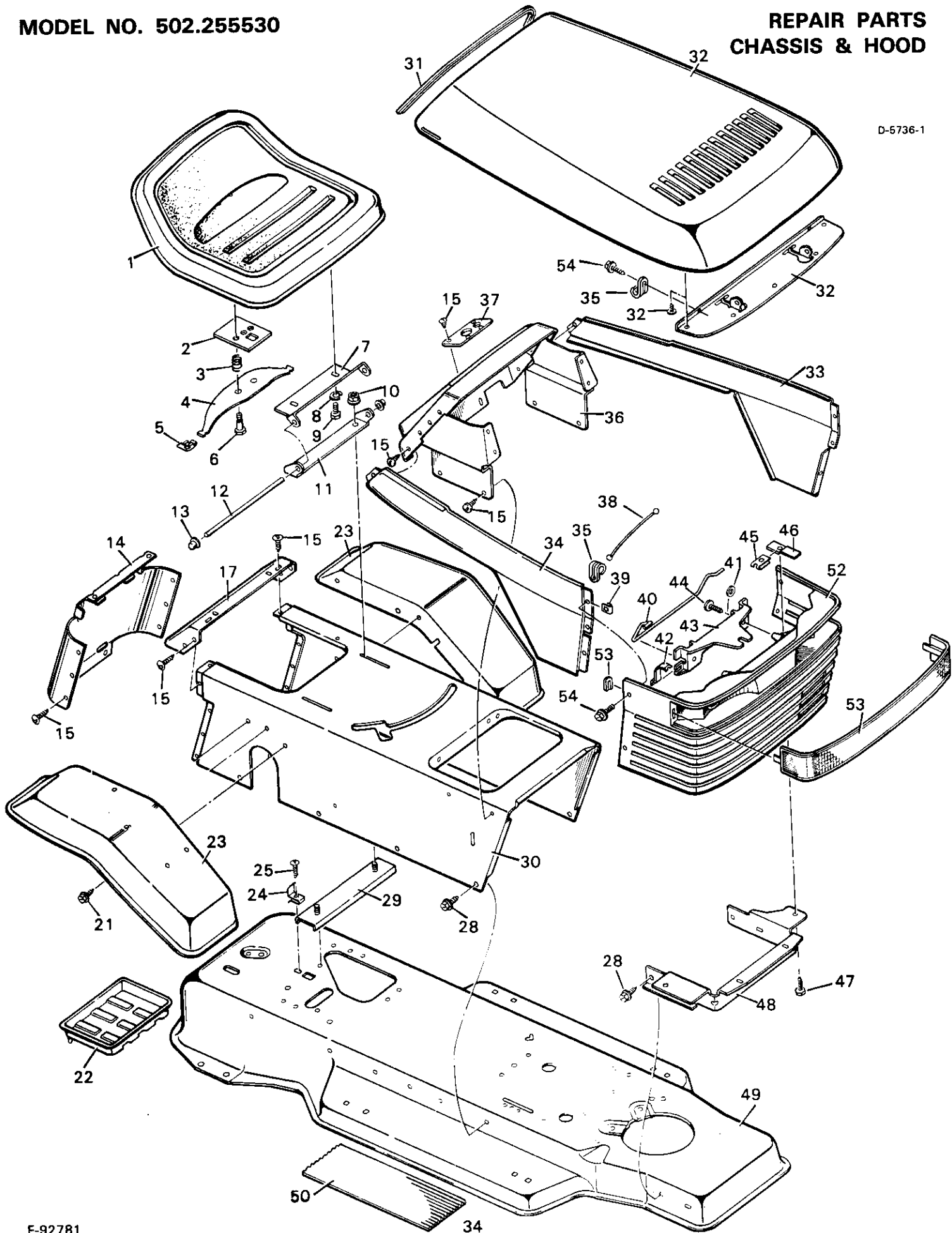
POS.	FUNCTION	CIRCUIT
4	START	B + S
3	RUN	ALL OPEN
2	RUN LIGHTS	B + L
1	OFF	G + M

CHASSIS
GROUND

MODEL NO. 502.255530

REPAIR PARTS
CHASSIS & HOOD

D-6736-1

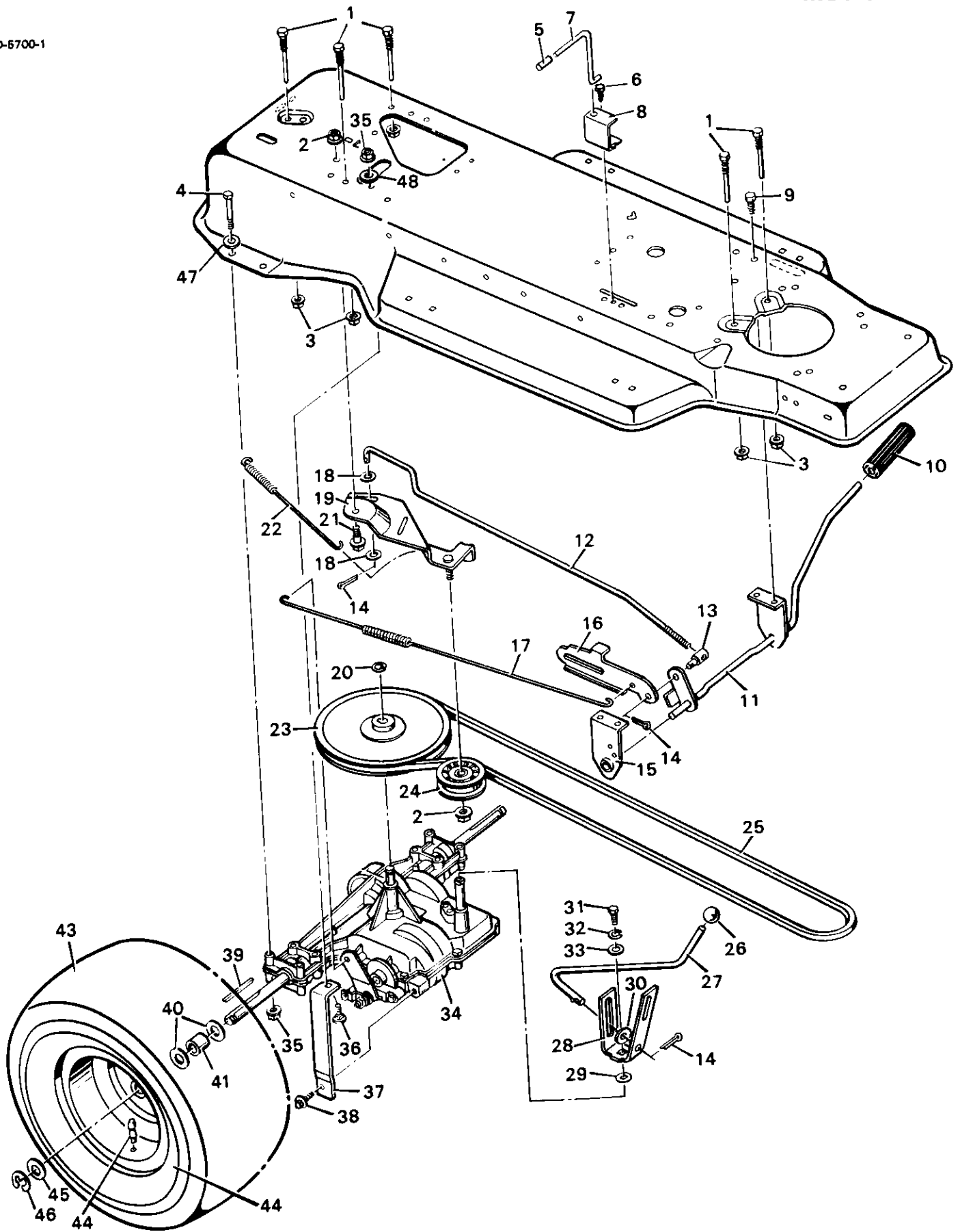


MODEL NO. 502.255530

**REPAIR PARTS
CHASSIS & HOOD**

KEY NO.	DESCRIPTION	PART NO.	MFG. NO.	KEY NO.	DESCRIPTION	PART NO.	MFG. NO.
1	Seat	56543		33	Panel, Left	91779E601	
2	Plate Assembly, Switch	91963Z		34	Panel, Right	91778E601	
3	Spring, Compression	164x25		35	Clip, Cable	92013	
4	Spring, Seat	91964		36	Dash Assembly	91858E601	
5	Glide, Spring	91822		37	Bearing	91759	
6	Bolt, Shoulder	9x38		38	Cable	92087	
7	Support, Seat	91728E700		39	U-Fastener	28x59	
8	Lockwasher	STD551131	18x16	40	Rod, Hinge	91980Z	
9	Bolt, Hex	STD523106	1x45	41	Washer	17x143	
10	Locknut, Flange	STD541431	15x88	42	Spring, Hood	91979	
11	Bracket, Pivot	91729E700		43	Bracket, Hood Mount	91978	
12	Rod, Pivot	91730E700		44	Screw	26x253	
13	Cap, Push On	28x23		45	Nut, Speed	28x61	
14	Cap, Console	91704E601		46	Shield, Heat	92005Z	
15	Screw, Tap	26x250		47	Screw	26x252	
17	Fender, Apron	91724E601		48	Support, Grille	91723E601	
21	Screw	26x214		49	Frame	91700E601	
22	Tray, Battery	91895		50	Mat	92058	
23	Fender	91715E601		52	Grille	92168	
24	Clip, Battery	91941		53	Lens (incl. with key 52)	91850	
25	Screw	26x184		54	Screw	26x220	
28	Screw	26x249		—	Instruction Book	F-92781	
29	Channel Assembly	91857E601		—	Decal, Left Hood	44x2617	
30	Console	91705E601		—	Decal, Front Hood	44x2622	
31	Trim, Edge	21765		—	Decal, Right Hood	44x2618	
32	Hood Assembly	92089E601		—	Decal, Left Console	44x2619	
				—	Decal, Right Console	44x2620	
				—	Decal, Console Panel	44x1095	
				—	Decal, Top Console -Warning	44x2585	
				—	Decal, Top Console	44x2621	
				—	Decal, Fender Apron	44x1065	

D-5700-1



MODEL NO. 502.255530

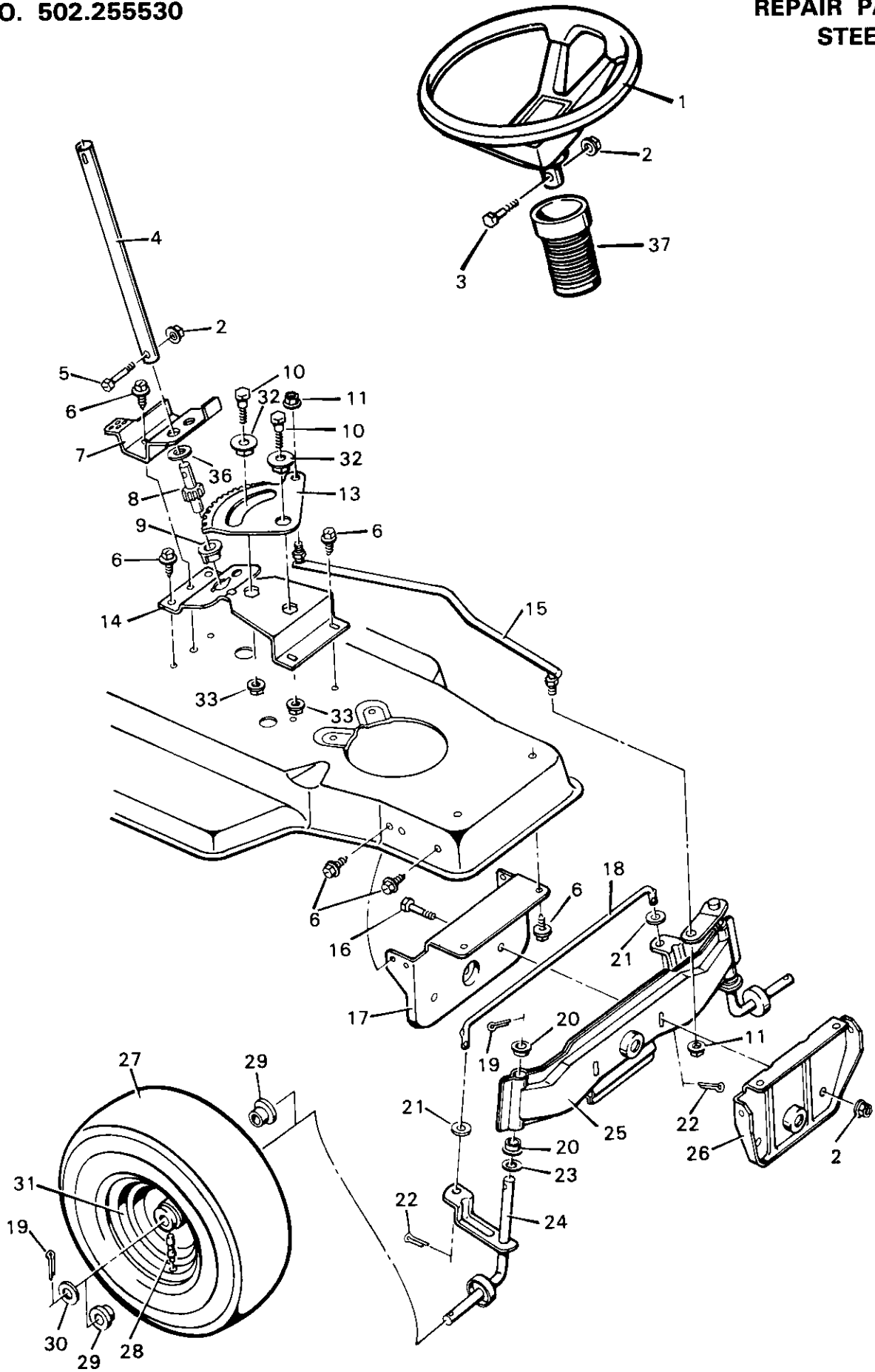
**REPAIR PARTS
MOTION DRIVE**

KEY NO.	DESCRIPTION	PART NO.	MFG. NO.	KEY NO.	DESCRIPTION	PART NO.	MFG. NO.
1	Guide, Belt	91754		25	Belt, Motion Drive	37x61	
2	Locknut, Flange	STD541437	15x84	26	Knob, Shift Lever	91995	
3	Nut, Flange	STD541031	15x79Z	--	Tolerance Ring , Shift Knob	92008	
4	Bolt, Hex	1x124		27	Lever, Shift	91805Z	
5	Grip	91079		28	Yoke, Shift	91806Z	
6	Screw	26x214		29	Washer	17x148	
7	Rod, Control	91727E700		30	Washer	17x102	
8	Guide, Bracket	91825E700		31	Bolt, Hex	1x82	
9	Screw	26x249		32	Lockwasher	STD551125	18x32
10	Clutch and Brake Pedal	21544		33	Washer	17x38Z	
11	Lever Assembly	91862E700		34	Transaxle, Peerless	92214	
12	Rod, Clutch	91808Z			Model No. 930-032**		
13	Nut, Adjustable	21920		35	Locknut, Flange	STD541431	15x88
14	Pin, Cotter	STD560907	30x20	36	Bolt, Carriage	STD533107	2x64
15	Bracket, Support	91713E700		37	Support, Transaxle	91804E700	
16	Latch, Park Brake	91712Z		38	Screw	26x216	
17	Spring, Brake Extension	165x82		39	Key, Square 3/16"	STD580105	21553
18	Washer	STD551031	17x47Z	40	Washer	17x160	
19	Bracket Assembly, Idler	92029Z		41	Spacer, Transaxle	87x100Z	
20	Ring, Retainer	STD582062	11x7	42	Tire *	90586	
21	Bolt, Shoulder	9x39		--	Tube	407049	
22	Spring, Drive Extension	165x76		43	Wheel & Tire Assembly	91504-601	
23	Pulley, Motion Drive	91807		44	Stem, Valve	24373	
24	Pulley, Backside Idler	91179		45	Washer	17x115	
				46	E-Ring	STD581075	11x3
				47	Washer	17x146Z	
				48	Washer	17x45	

* When you order a tire, make sure to give the brand name of the tire so that the tread pattern on the tire will match.

** For Repair Parts, see the transaxle parts list pages.

D-5699-3



KEY NO.	DESCRIPTION	PART NO.	MFG. NO.
1	Wheel, Steering	92077	
2	Nut, Hex	STD541531	15x90
3	Bolt, Hex	STD623115	1x66
4	Shaft, Steering	91860Z	
5	Bolt, Hex	STD623112	1x74
6	Screw	26x249	
7	Bracket, Sector **	91716E700	
8	Gear, Pinion	402075	
9	Bearing **	91756	
10	Bolt, Hex **	STD523110	1x84
11	Locknut, Flange	STD541537	15x87
13	Gear, Sector	402075	
14	Bracket, Sector **	91708E700	
15	Link, Drag	91749E700	
16	Bolt, Hex	1x138	
17	Support -Rear, Axle	91702E700	
18	Rod, Tie	90038E700	
19	Pin, Cotter	STD561220	30x49
20	Bearing	90035	
21	Washer	STD551043	17x57
22	Pin, Cotter	STD560907	30x20
23	Washer	17x113	
24	Spindle Assembly, Right	91828E700	
25	Spindle Assembly, Axle & Left	92325E700	
26	Support, Front Axle	91701E700	
27	Tire (Incl. with Key 31) *	90591	
—	Tube (Incl. with Key 31)	407047	
28	Stem, Valve (Incl. with Key 31)	24373	
29	Bearing, Wheel (Incl. with Key 31)	91334	
30	Washer	17x115	
31	Wheel and Tire Assembly	90593-601	
32	Bearing **	92097	
33	Locknut, Flange **	15x113	
36	Spacer, Pinion Gear **	92280	
37	Bellows, Steering Post	91298	

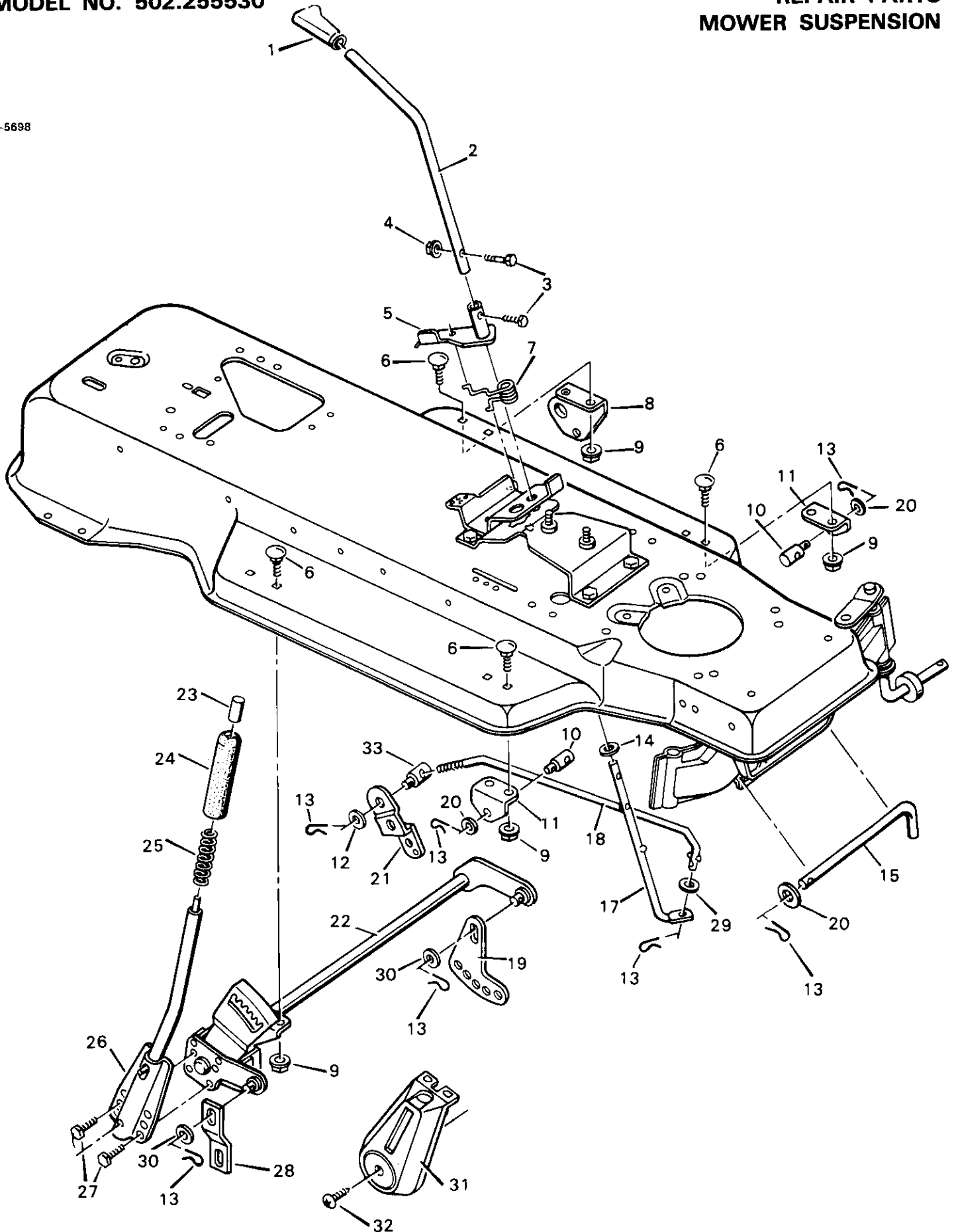
* When you order a tire, make sure to give the brand name of the tire so that the tread pattern on the tire will match.

** These parts are included when you order part number 402075 (key number 8 or 13).

MODEL NO. 502.255530

REPAIR PARTS
MOWER SUSPENSION

D-5698

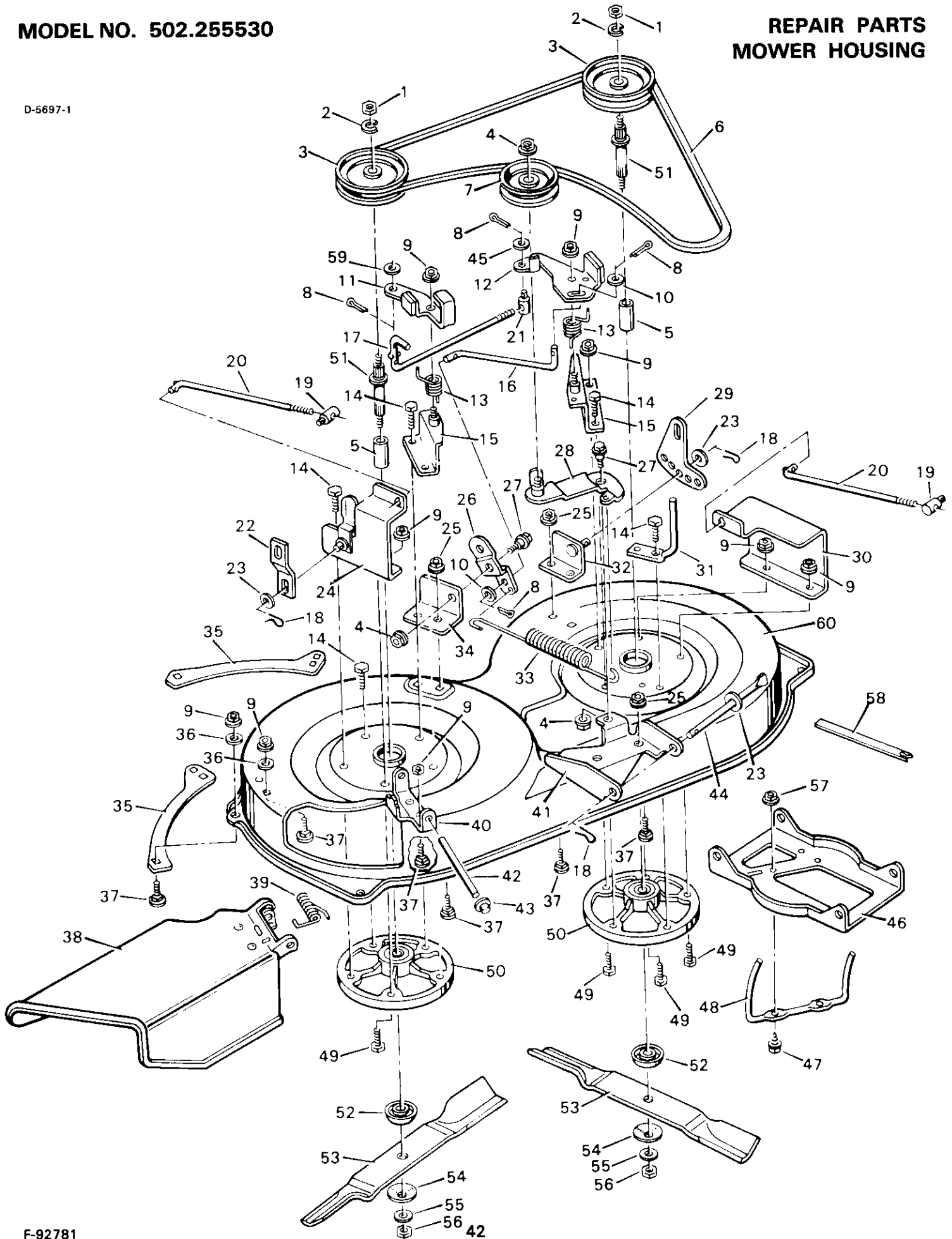


KEY NO.	DESCRIPTION	PART NO.	MFG. NO.
1	Grip	55449	
2	Lever, Blade Control	91781Z	
3	Bolt, Hex	25x3	
4	Locknut, Hex	STD541425	15x67
5	Lever Assembly, Switch	91917E700	
6	Bolt, Carriage	STD533107	2x53
7	Spring, Torsion	166x32	
8	Bracket, Left Rear Hanger	92066E700	
9	Nut, Flange	STD541031	15x79
10	Nut, Adjusting	92131	
11	Bracket, Adjuster Rod	92133E700	
12	Washer	STD551037	17x124
13	Pin, Hair	STD624005	31x4
14	Washer	STD551050	17x67
15	Pin, Pull	90827Z	
17	Lever, Lower Blade Control	91787E700	
18	Rod, Blade Control	91795Z	
19	Plate, Adjuster	91741E700	
20	Washer	STD551050	17x103
21	Bracket, Pivot	92033E700	
22	Lifter Assembly	92065E700	
23	Knob, Steel	91261	
24	Grip	91398	
25	Spring, Compression	164x21	
26	Handle Assembly	91823E700	
27	Screw	26x49	
28	Link, Suspension	92064E700	
29	Washer	STD551031	17x47Z
30	Washer	17x91Z	
31	Cover, Lift Lever	92157	
32	Screw	26x238	
33	Nut, Adjusting	21920	

MODEL NO. 502.255530

REPAIR PARTS
MOWER HOUSING

D-5697-1

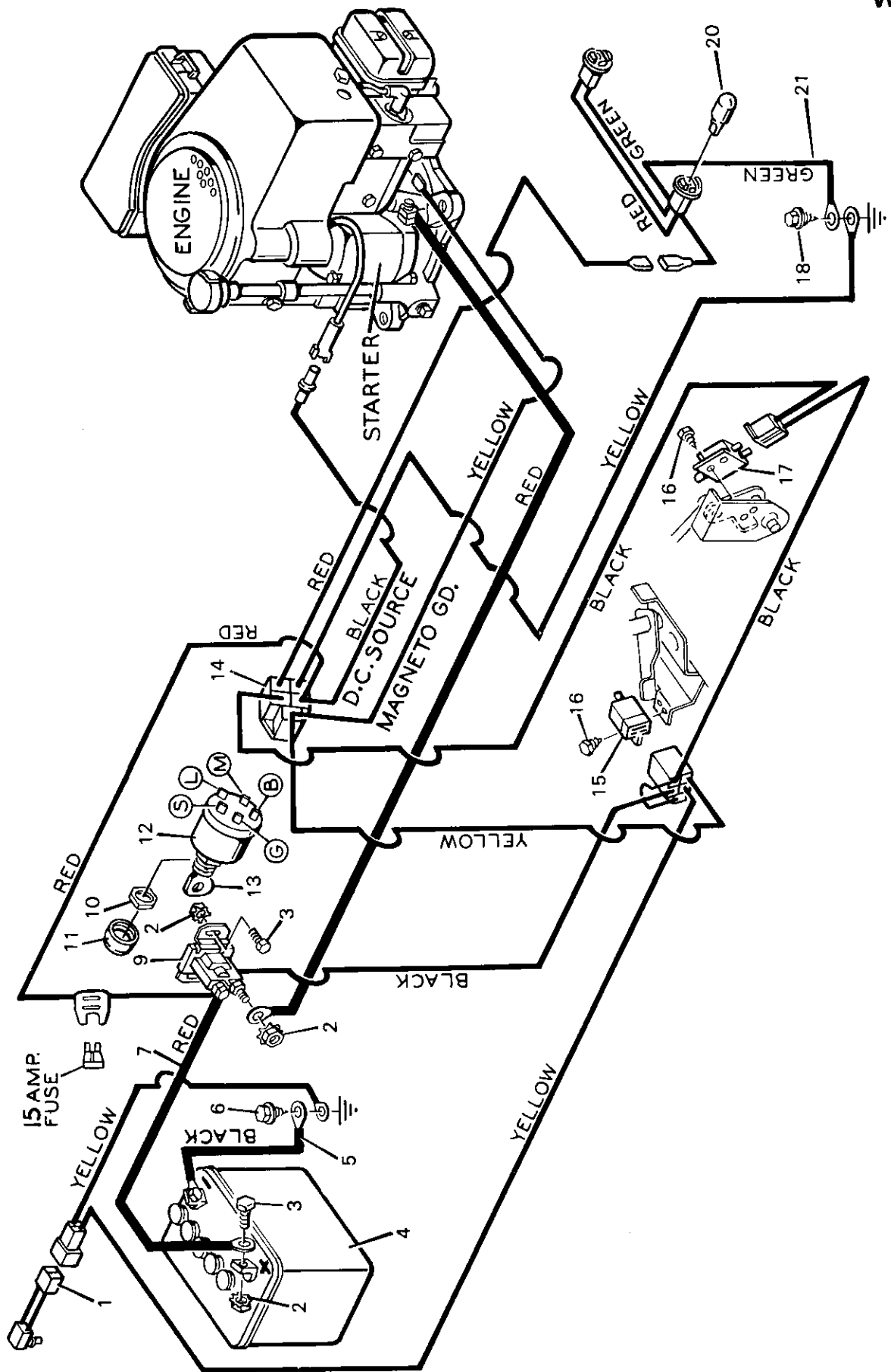


F-92781

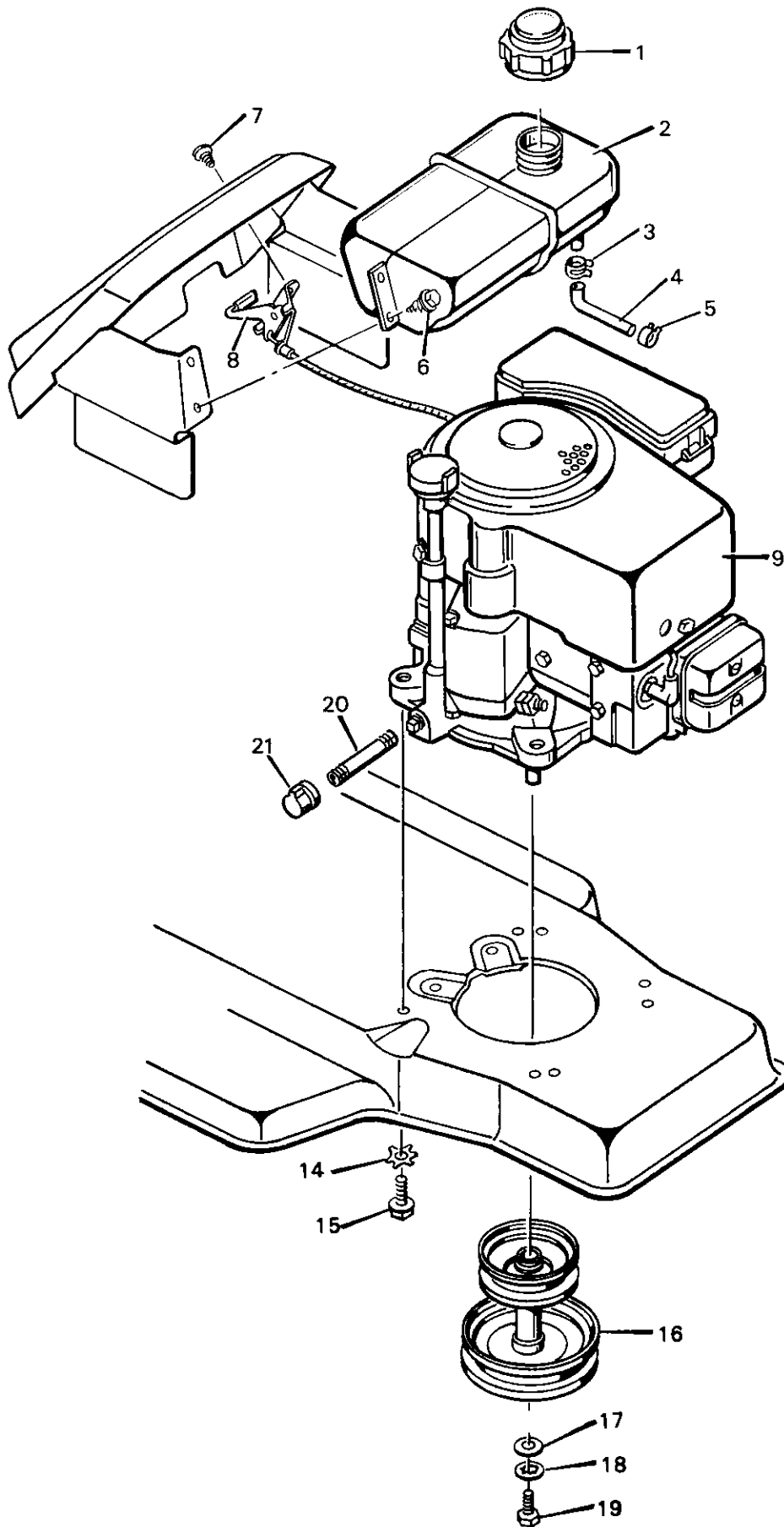
MODEL NO. 502.255530

**REPAIR PARTS
MOWER HOUSING**

KEY NO. DESCRIPTION	PART NO.	MFG. NO.	KEY NO. DESCRIPTION	PART NO.	MFG. NO.
1 Nut, Hex	15x100		31 Guide, Belt	91797E700	
2 Lockwasher	18x33		32 Bracket Assy., Left Lifter	91813E700	
3 Pulley, Jackshaft	91769		33 Spring, Extension	165x72	
4 Locknut, Flange	STD541437	15x84	34 Bracket, Pivot	91743E700	
5 Spacer	91903		35 Plate	91770E700	
6 Belt, Blade Drive	37x63		36 Washer	STD551043	17x57
7 Pulley, Idler	91801		37 Bolt, Carriage	STD533107	2x53
8 Pin, Cotter	STD560907	30x20	38 Deflector Assembly, Chute	91982SE	
9 Locknut, Flange	STD541431	15x88	39 Spring, Torsion	166x4	
10 Washer	STD551031	17x46Z	40 Bracket, Hinge	91765E700	
11 Brake Assembly, Right	92186E700		41 Bracket, Front Hanger	91793E700	
12 Brake Assembly, Left	92187E700		42 Rod, Deflector	91767Z	
13 Spring, Torsion	166x27		43 Cap, Push On	28x23	
14 Bolt, Hex	25x6		44 Rod, Hanger	91739Z	
15 Bracket Assembly, Brake	92072E700		45 Washer	17x124	
16 Rod, Brake	91745Z		46 Hanger, Front	92119E700	
17 Rod, Cross Link	92183Z		47 Screw	25x4	
18 Pin, Hair	STD624005	31x4	48 Guide, Belt	92095E700	
19 Nut, Adjustable	92131		49 Bolt, Hex	STD523110	1x84
20 Rod, Adjuster	91748Z		50 Housing, Jackshaft	90905	
21 Nut, Adjustable	21920		51 Jackshaft	91922	
22 Link, Suspension	92064E700		52 Adapter, Blade	91926	
23 Washer	STD551050	17x103	53 Blade (2 required)	91742E700	
24 Bracket Assy., Right Lifter	92194E700		54 Washer, Belleville	17x166	
25 Nut, Flange	STD541031	15x79	55 Washer	17x165	
26 Bracket, Pivot	92033E700		56 Nut, Hex	15x100	
27 Bolt, Carriage	9x39		57 Locknut, Flange	STD541425	15x82
28 Arm Assembly, Idler	92032E700		58 Indicator, Plastic	92163	
29 Plate, Adjuster	91741E700		59 Washer	17x48	
30 Cover, Pulley	91792E700		60 Housing, Blade	91732E700	
			1-60 Complete Mower Housing	403229	

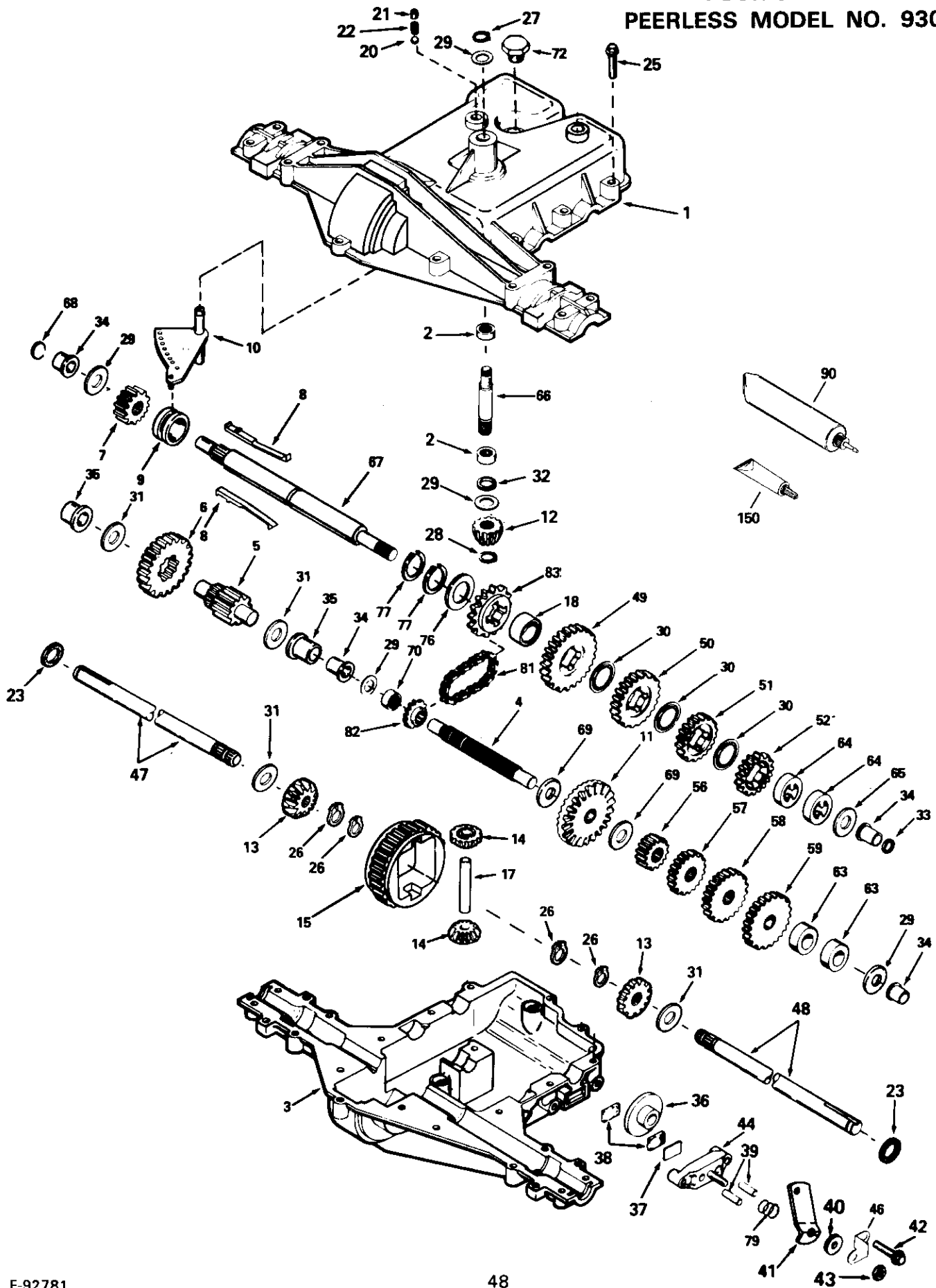


KEY NO.	DESCRIPTION	PART NO.	MFG NO.
1	Switch, Seat Sensor	91031	
2	Locknut	STD541425	15x66
3	Bolt, Hex	STD522506	1x38
4	Battery 30 amp Type U1-9L	92198	
-	Acid, Battery (Electrolyte)	90665	
5	Cable, Battery Ground	24x9	
6	Screw	26x249	
7	Cable, Red Battery	24x12	
9	Solenoid	24285	
10	Nut, Ignition Switch	91489	
11	Cap, Ignition Switch	91488	
12	Switch, Ignition	91846	
13	Key & Ring, Ignition	91275	
14	Harness, Chassis Wire	250x22	
-	Fuse, Replacement	54212	
-	Holder, Fuse Replacement	407078	
15	Switch, PTO	91299	
16	Screw	26x233	
17	Switch, Clutch	24273	
18	Screw	25x2	
20	Bulb, Light	92098	
21	Harness, Light Wire	250x30	



KEY NO.	DESCRIPTION	PART NO.	MFG. NO.
1	Fuel Cap	92317	
2	Fuel Tank	91869	
3	Hose Clamp	91174	
4	Fuel Line	91022	
5	Hose Clamp	23713	
6	Screw	26x214	
7	Screw	STD610803	26x201
8	Throttle Control	91983	
9	Engine *	-----	
	Model No. 143.426092		
--	Foam Bulkhead Kit	403154	
14	Washer	STD551237	19x8
15	Bolt, Engine Mount	25x7	
16	Stack Pulley Assembly	92246Z	
17	Washer	17x170	
18	Lockwasher	STD551243	19x35
19	Bolt, Hex	1x140	
20	Pipe, Oil Drain	24066	
21	Cap, Oil Drain	21651	

* All parts to the engine are available from a Tecumseh Authorized Service Center. See "Engines, Gasoline" or "Gasoline Engines" in the yellow pages of the telephone directory.



PEERLESS MODEL NO. 930-032

**REPAIR PARTS
FOUR SPEED TRANSAXLE**

KEY NO.	DESCRIPTION	PART NO.	KEY NO.	DESCRIPTION	PART NO.
1	Cover, Transaxle	772108A	41	Lever, Brake	790060
2	Bearing, Needle	780086	42	Screw, Flanged Hex hd. ¼-20x1¼	792073
3	Case, Transaxle	770102A	43	Nut, Lock 5/16-24	792075
4	Shaft, Counter	776260	44	Holder, Brake Pad	790025
5	Shaft Pinion Assembly, Output	776219	46	Shaft, Input	786086
6	Gear, Output	778139	47	Axle (12-3/8" Long)	774638
7	Gear, Spur (15 teeth)	778136	48	Axle (17" Long)	774837
8	Key, Shifter	792136	49	Gear, Spur (37 teeth)	778191
9	Collar, Shifter	784352	50	Gear, Spur (30 teeth)	778124A
10	Rod & Fork Assembly, Shift	784358	51	Gear, Spur (25 teeth)	778123A
11	Gear, Bevel (42 teeth)	778229	52	Gear, Spur (20 teeth)	778121A
12	Bevel Pinion, Input	778113A	56	Gear, Spur (12 teeth)	778230
13	Gear, Bevel	778221	57	Gear, Spur (20 teeth)	778126A
14	Gear, Bevel Pinion	778068	58	Gear, Spur (25 teeth)	778127A
15	Gear, Ring	778260	59	Gear, Spur (30 teeth)	778129A
17	Pin, Drive	786139	63	Spacer	786071
18	Spacer	786102	64	Spacer	786072
20	Ball, Steel (5/16" dia.)	792077	65	Washer, Thrust	780139
21	Set Screw ¾-16x¾	792078	66	Shaft, Input	776135
22	Spring	792079	67	Shaft, Brake (4-keyed)	776315A
23	Ring, Felt	788061	68	Disk	786116
25	Screw, Flange Hex Hd. ¼-20x1¼	792073	69	Washer, Thrust	780051
26	Ring, Retainer (Pkg. of 2)	792125	70	Spacer	786118
27	Ring, Retainer	792035	72	Plug, Threaded	792074
28	Ring, Retainer	788040	76	Washer, Thrust	780090
29	Washer, Thrust	780072	77	Ring, Retaining	788078
30	Washer, Thrust	780108	79	Spring, Brake	792144
31	Washer	780001	81	Chain, Roller (No. 41 chain, 24 Links)	786081
32	"O" Ring	792001	82	Sprocket (9 teeth)	786082
33	Seal, Square Cut	788051	83	Sprocket (18 teeth)	786123
34	Bushing, Flanged	780105A	90	Grease (32oz. bottle Bentonite)	788067B
35	Bushing, Flanged	780118A	150	Adhesive (Loctite #515)	510334
36	Disk, Brake	790003			
37	Plate, Brake Pad	790007			
38	Pad, Brake	790006			
39	Pin, Dowel	786026			
40	Washer, Flat	792076			