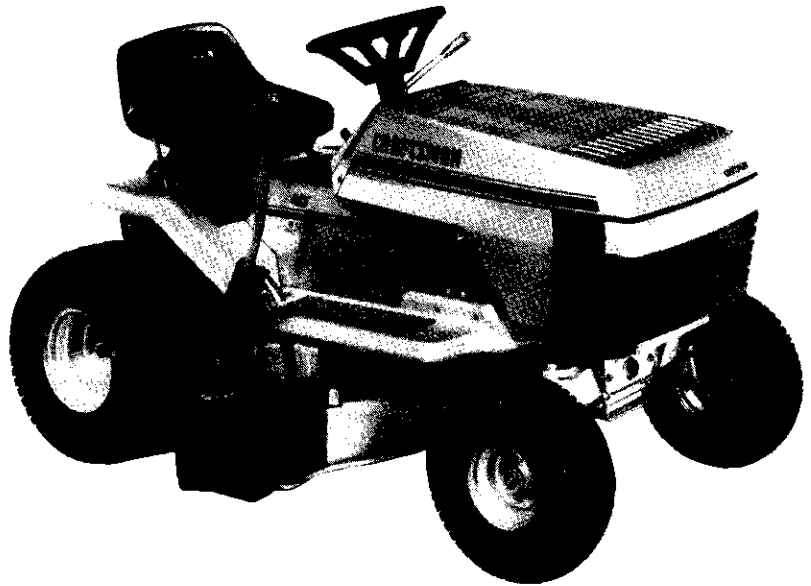


SEARS

owners manual

Model No.
502.255180



CRAFTSMAN[®]

12.5 HP. ELECTRIC START 40" MOWER 6 SPEED LAWN TRACTOR

CAUTION:
Read And Follow
All Safety Rules
And Instructions Before
Operating This
Equipment.

- Assembly
- Operation
- Maintenance
- Service and Adjustment
- Repair Parts

SAFETY RULES

Safe Operation Practices for Riding Vehicles
As Recommended by American National Standards Institute

This cutting machine is capable of amputating hands and feet and throwing objects. Failure to observe the following safety instructions could result in serious injury or death to the operator or bystanders.

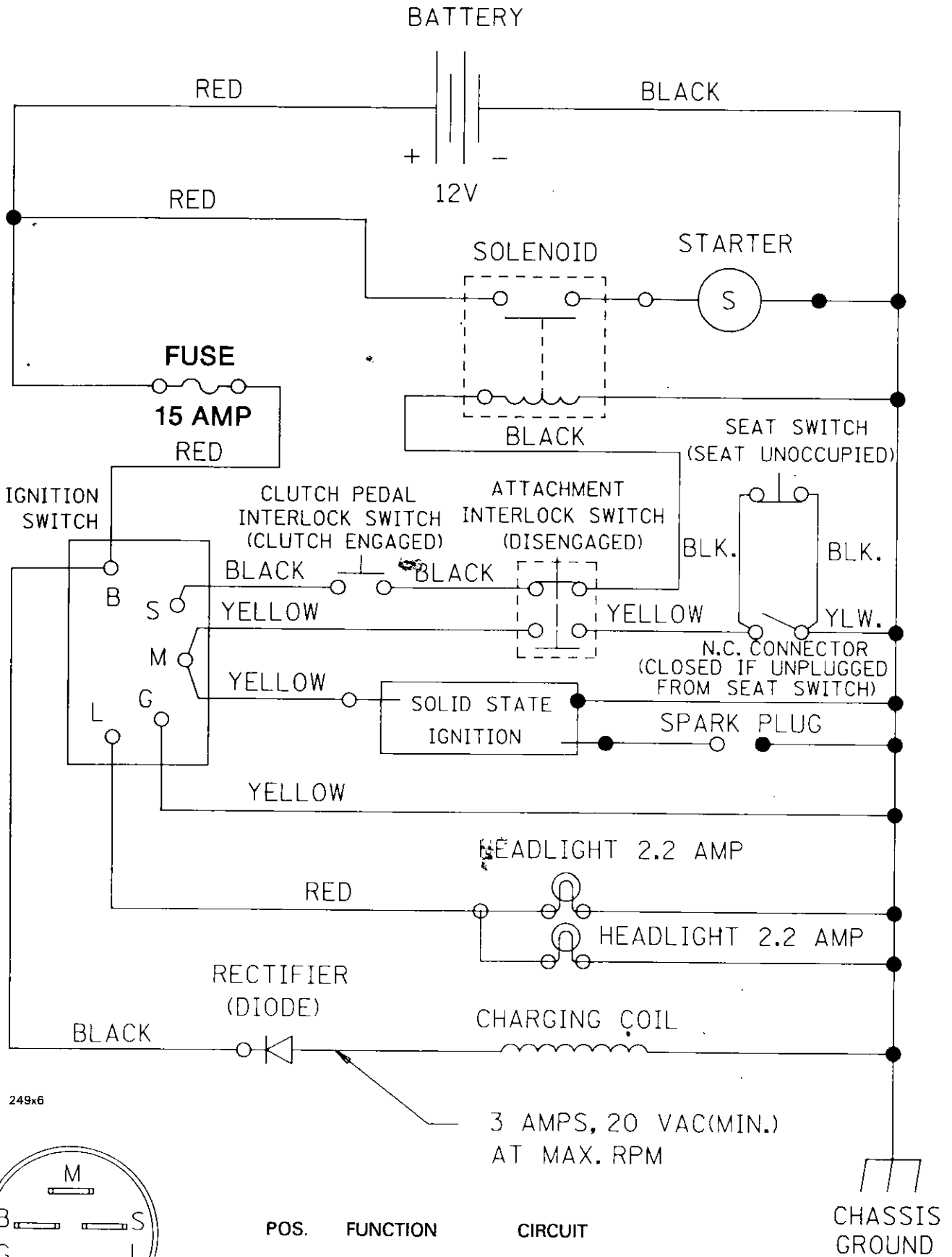
GENERAL OPERATION:

1. Read, understand, and follow all instructions in the Instruction Book, on the machine, on the engine, and with any attachments before starting.
2. Only allow responsible adults familiar with the instructions to operate the machine.
3. Clear the area of objects such as rocks, toys, wire, etc. which could be picked up and thrown by the blade.
4. Be sure the area is clear of other people before mowing. Stop the machine if anyone enters the area.
5. Never carry passengers.
6. Disengage all attachment clutches and shift into Neutral before attempting to start the engine.
7. Disengage power to the mower or any attachments before backing up. Do not mow in reverse unless absolutely necessary. Always look down and behind before and while backing.
8. Be aware of the direction the mower discharge. Do not point discharge from the mower at anyone or at places where people may be. Do not operate the mower without either the entire grass bagger or the mower guard in place.
9. Slow down before turning.
10. Never leave a machine unattended with the engine running. Always disengage the blade(s), set the parking brake, stop the engine and remove the key before dismounting.
11. Disengage power to attachment(s) when transporting or not in use. Disengage the blade(s) when not mowing.
12. Stop the engine before removing the grass bagger or unclogging the chute.
13. Mow only in daylight or good artificial light.
14. Do not operate the machine while under the influence of alcohol or drugs or when very tired.
15. Watch for traffic when operating near or crossing roadways.
16. Use extra caution when loading or unloading the machine when using a trailer or truck for transporting.
17. Always wear safety glasses or an eye shield when you operate the unit to protect your eyes from foreign objects that can be thrown from the unit. Always wear eye protection when you make an adjustment or repair to the machine.
18. Use care when pulling loads or using heavy equipment.
 - a. Use only approved drawbar hitch points.
 - b. Limit loads to those you can safely control.
 - c. Do not turn sharply. Use care when backing.
 - d. Use counterweights or wheel weights when suggested in the Instruction Book.

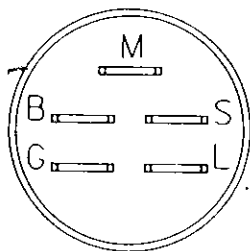
CHILDREN:

Tragic accidents can occur if the operator is not alert to the presence of children. Children are often attracted to the machine and the mowing activity. Never assume that children will remain where you last saw them.

1. Keep children out of the mowing area and in the watchful care of an adult other than the operator.
2. Be alert and turn the engine off if children enter the area.
3. Before and when backing, look behind and down for small children.
4. Never carry children or any passengers. They may fall off and be seriously injured or interfere with the safe operation of the machine.
5. Never allow children to operate the machine. Instruct children in the dangers of the machine.
6. Use extra care when approaching blind corners, shrubs, trees or other objects that may obscure vision.



249x6

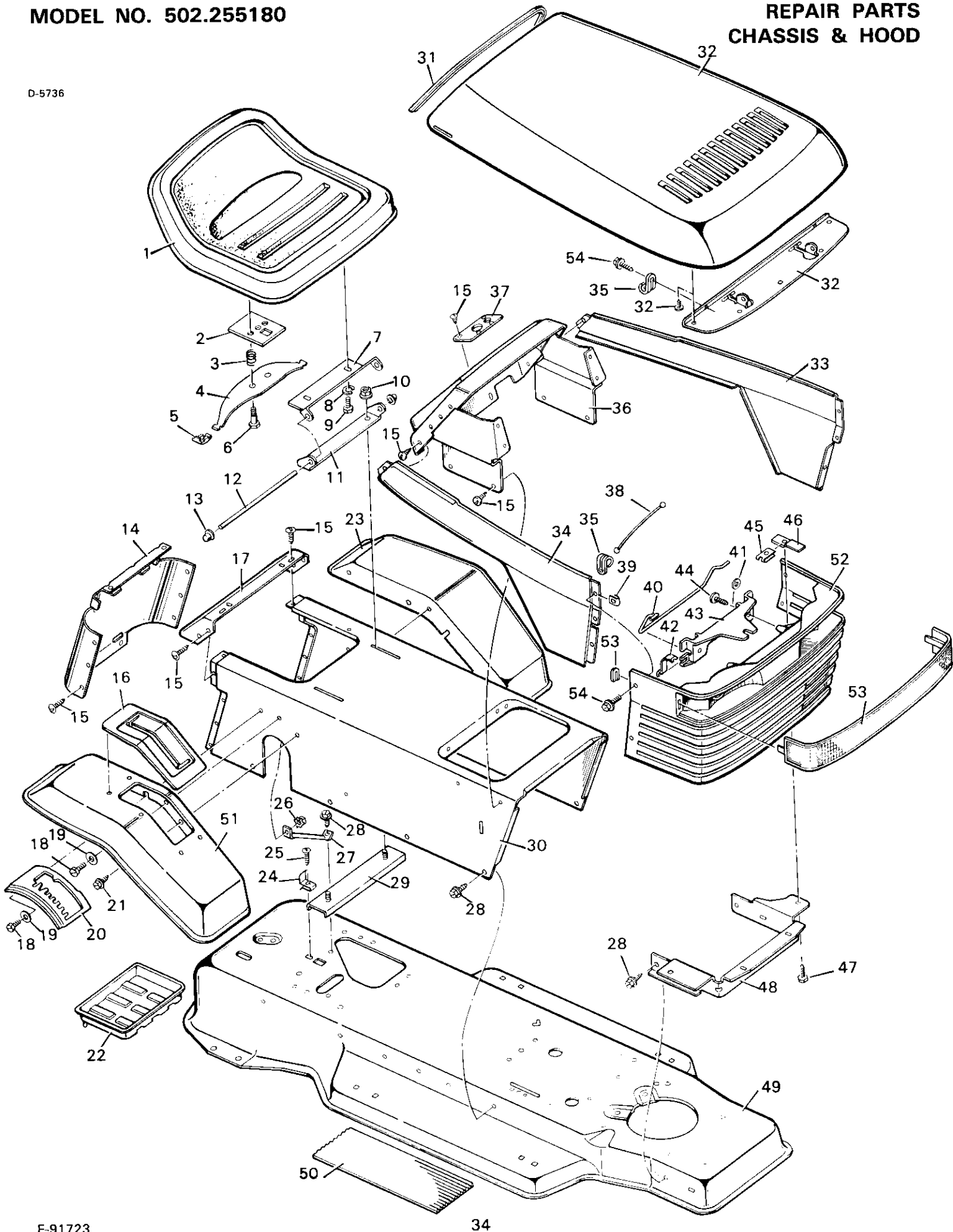


POS.	FUNCTION	CIRCUIT
4	START	B + S
3	RUN	ALL OPEN
2	RUN LIGHTS	B + L
1	OFF	G + M

MODEL NO. 502.255180

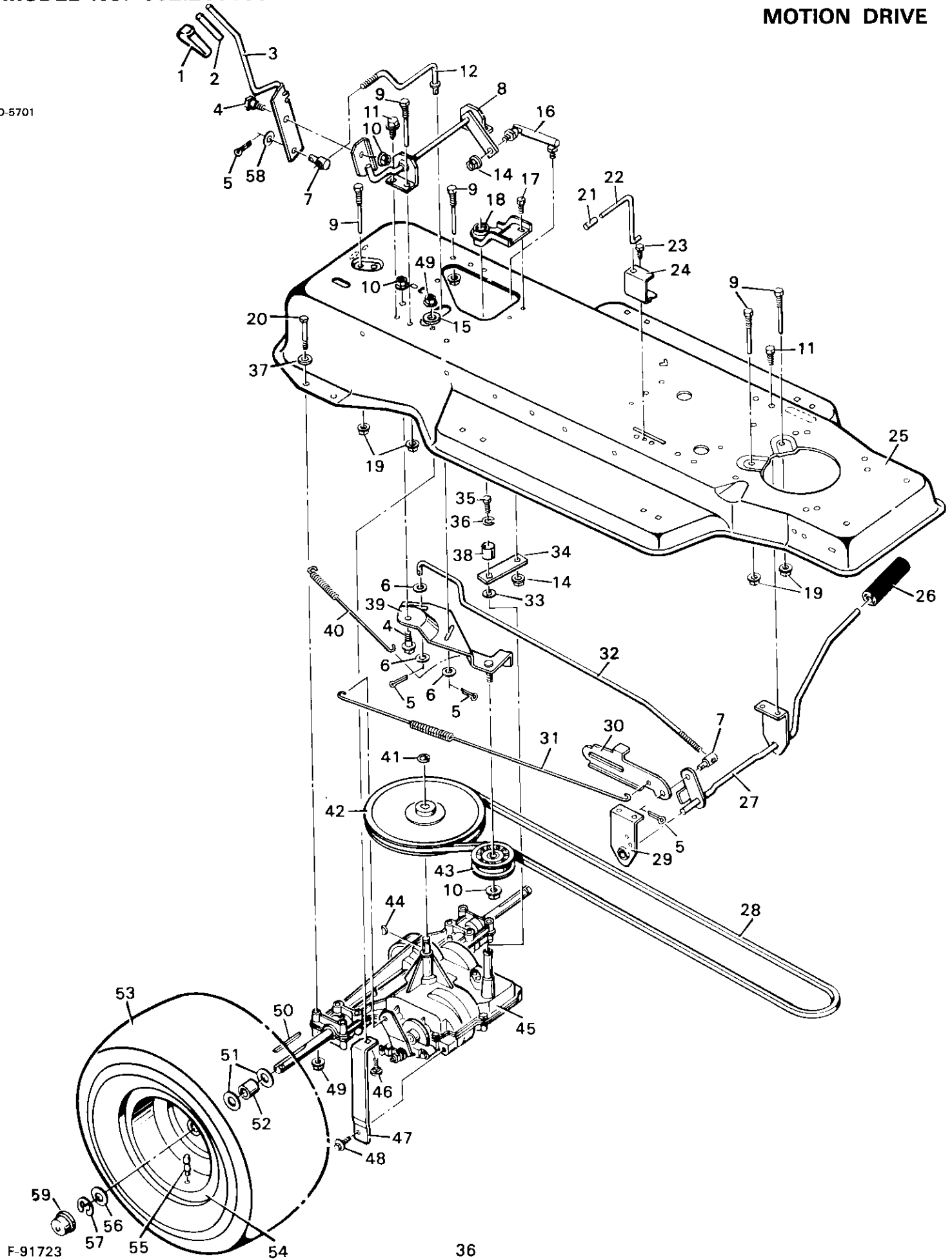
REPAIR PARTS
CHASSIS & HOOD

D-5736



KEY NO.	DESCRIPTION	PART NO.	MFG. NO.	KEY NO.	DESCRIPTION	PART NO.	MFG. NO.
1	Seat	56542		33	Panel, Left	91779E601	
2	Plate Assembly, Switch	91963Z		34	Panel, Right	91778E601	
3	Spring, Compression	164x25		35	Clip, Cable	92013	
4	Spring, Seat	91964		36	Dash Assembly	91858E601	
5	Glide, Spring	91822		37	Bearing	91759	
6	Bolt, Shoulder	9x38		38	Cable	92087	
7	Support, Seat	91728E700		39	U-Fastener	28x59	
8	Lockwasher	STD551131	18x16	40	Rod, Hinge	91980Z	
9	Bolt, Hex	STD523106	1x45	41	Washer	17x143	
10	Locknut, Flange	STD541431	15x88	42	Spring, Hood	91979	
11	Bracket, Pivot	91729E700		43	Bracket, Hood Mount	91978	
12	Rod, Pivot	91730E700		44	Screw	26x253	
13	Cap, Push On	23x23		45	Nut, Speed	28x61	
14	Cap, Console	91704E601		46	Shield, Heat	92005Z	
15	Screw, Tap	26x250		47	Screw	26x252	
16	Cover, Shift	91905		48	Support, Grille	91723E601	
17	Fender, Apron	91724E601		49	Frame	91700E601	
18	Bolt, Hex	STD522506	1x38	50	Mat	92058	
19	Washer	17x38Z		51	Fender, Right	91894E601	
20	Gate, Shift	91892Z		52	Grille	92165SE	
21	Screw	26x214		53	Lens	91850	
22	Tray, Battery	91895		54	Screw	26x220	
23	Fender, Left	91715E601		--	Instruction Book	F-91723	
24	Clip, Battery	91941		--	Decal, Left Hood	44x2001	
25	Screw	26x184		--	Decal, Left Front Hood	44x1063	
26	Locknut	STD541425	15x66	--	Decal, Right Hood	44x2000	
27	Strut, Console	91910E601		--	Decal, Top Console	44x1736	
28	Screw	26x249		--	Decal, Right Fender	44x1168	
29	Channel Assembly	91857E601		--	Decal, Fender Apron	44x1065	
30	Console	91731E601		--	Decal, Right Channel	44x1082	
31	Trim, Edge	21765		--	Decal, Left Channel	44x1165	
32	Hood Assembly	92089E601					

D-5701



MODEL NO. 502.255180

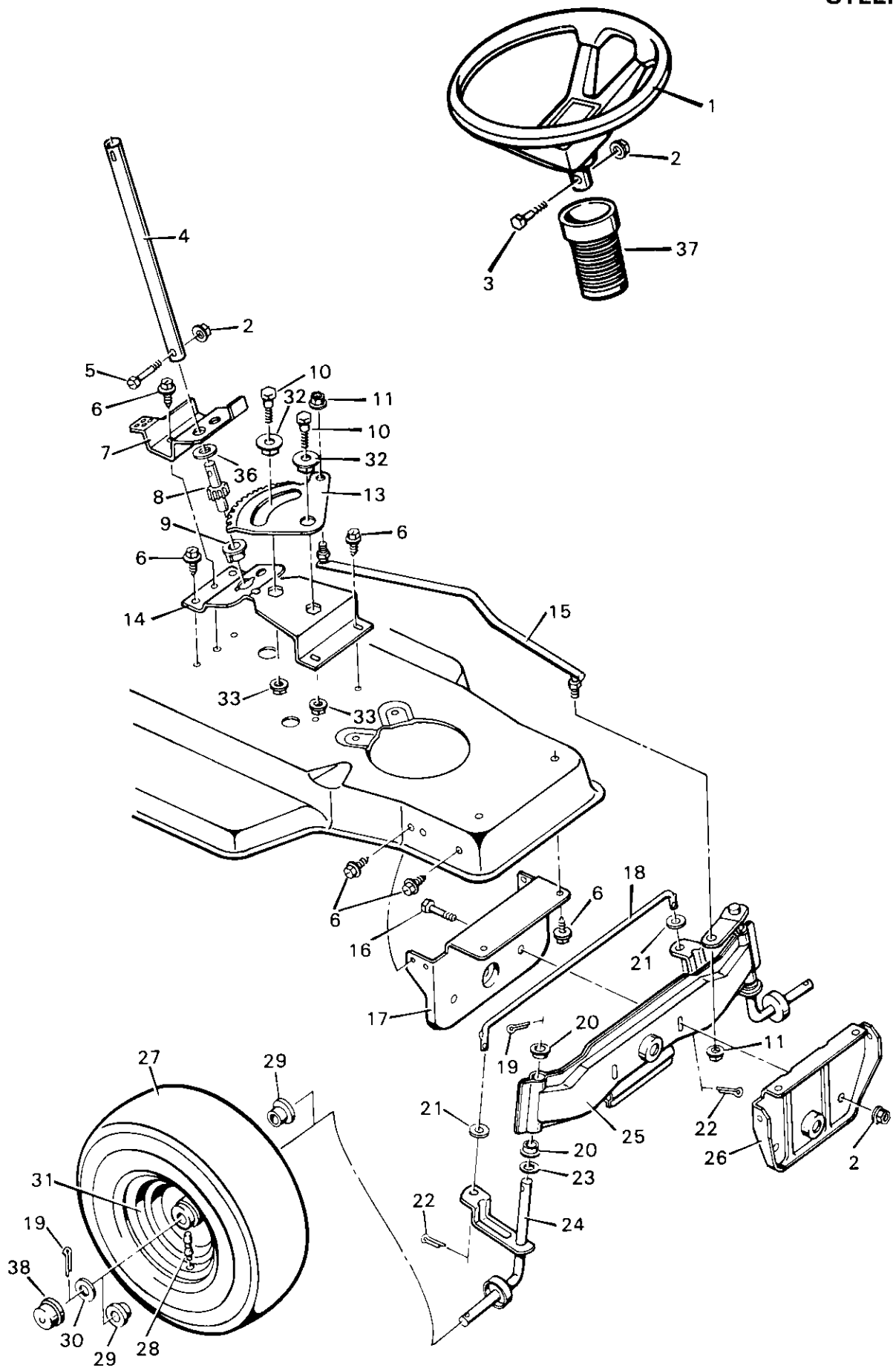
**REPAIR PARTS
MOTION DRIVE**

KEY NO.	DESCRIPTION	PART NO.	MFG. NO.	KEY NO.	DESCRIPTION	PART NO.	MFG. NO.
1	Grip	92055		32	Rod, Clutch	91808Z	
2	Grip, Inner	20476		33	Washer	17x148	
3	Handle, Shift	92031Z		34	Yoke, Shift	92041Z	
4	Bolt, Shoulder	9x39		35	Bolt, Hex	1x82	
5	Pin, Cotter	STD560907	30x20	36	Lockwasher	STD551125	18x32
6	Washer	STD551031	17x47Z	37	Washer	17x146Z	
7	Nut, Adjustable	21920		38	Pilot, Support	91889	
8	Shifter Assembly	92044E700		39	Bracket Assembly, Idler	92029Z	
9	Guide, Belt	91754		40	Spring, Motion Drive	165x76	
10	Locknut, Flange	STD541437	15x84	41	Ring, Retainer	STD582062	11x7
11	Screw	26x249		42	Pulley, Motion Drive	91807	
12	Link, Clutch	91877		43	Pulley, Backside Idler	91179	
14	Locknut, Flange	STD541537	15x87	44	Key, Woodruff #9	STD580025	20697
15	Washer	17x45		45	Transaxle, Complete **	92216	
16	Shifter Link Assembly	92085			Peerless No. 143.930-011		
17	Screw	26x249		46	Bolt, Carriage	STD533107	2x64
18	Bracket, Support	91899Z		47	Support, Transaxle	91804E700	
19	Nut, Flange	STD541031	15x79Z	48	Screw	26x216	
20	Bolt Hex	1x124		49	Locknut, Flange	STD541431	15x88
21	Grip	91079		50	Key, Square	STD580105	21553
22	Rod, Control	91727E700		51	Washer	17x160	
23	Screw	26x214		52	Spacer, Transaxle	91757E700	
24	Guide, Bracket	91825E700		53	Tire (Incl'd with Key 54) *	90586	
25	Frame	91700E601		--	Tube (Incl'd with Key 54)	407049	
26	Clutch and Brake Pedal	21544		54	Wheel and Tire Assembly	91504E601	
27	Lever Assembly	91862E700		55	Stem, Valve (Incl'd with Key 54)	24373	
28	Belt, Motion Drive	37x61		56	Washer	17x115	
29	Bracket, Support	91713E700		57	E-Ring	STD581075	11x3
30	Latch, Park Brake	91712Z		58	Washer	STD551037	17x53Z
31	Spring, Brake Extension	165x82		59	Hub Cap	24582	

* When you order a tire, make sure to give the brand name of the tire so that the tread pattern on the tire will match.

** For repair parts, see the transaxle parts list page.

D-5699-3

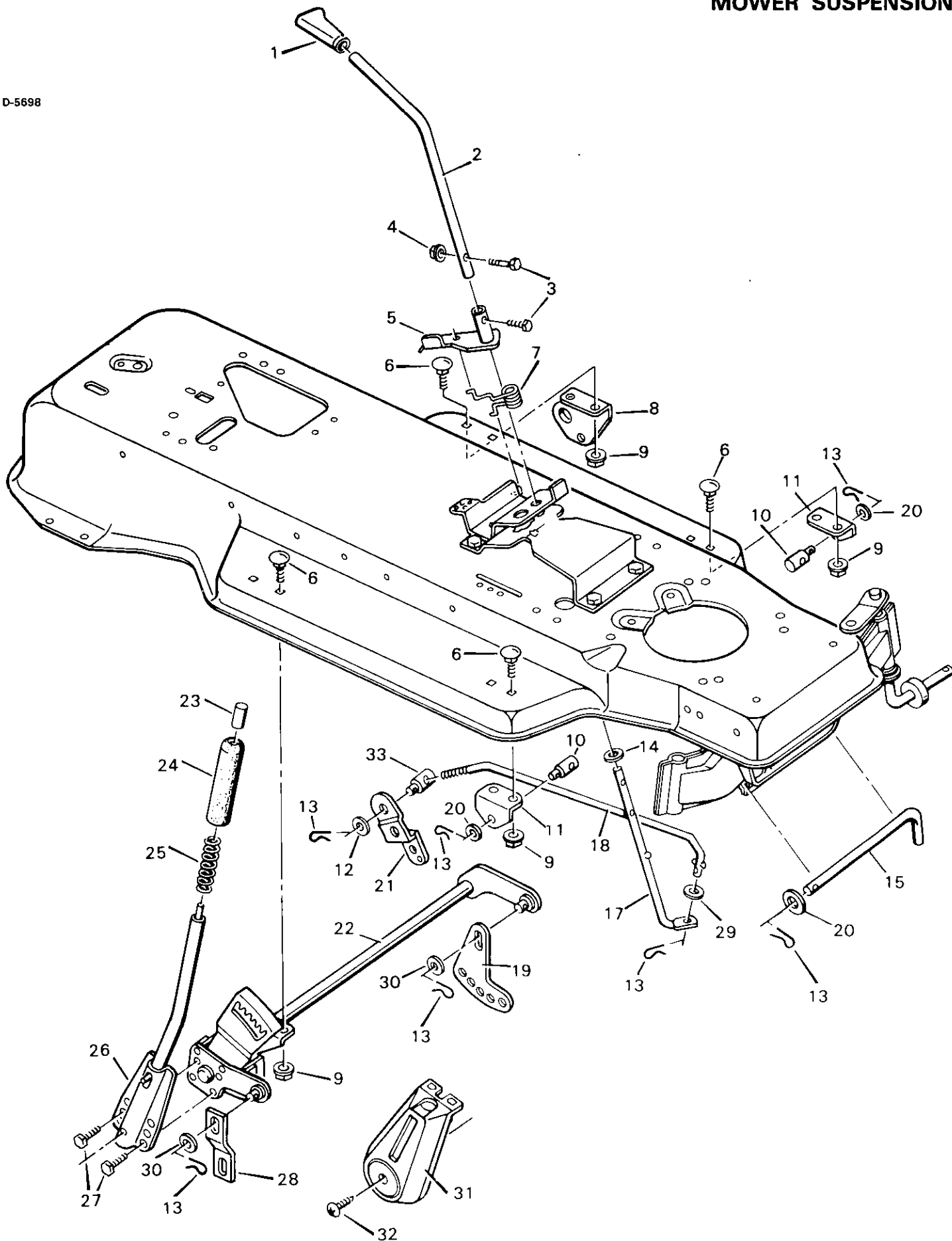


KEY NO.	DESCRIPTION	PART NO.	MFG. NO.
1	Wheel, Steering	92077	
2	Nut, Hex	STD541531	15x90
3	Bolt, Hex	STD623115	1x66
4	Shaft, Steering	91860Z	
5	Bolt, Hex	STD623112	1x74
6	Screw	26x249	
7	Bracket, Sector **	91716E700	
8	Gear, Pinion	402075	
9	Bearing **	91756	
10	Bolt, Hex **	STD523110	1x84
11	Locknut, Flange	STD541537	15x87
13	Gear, Sector	402075	
14	Bracket, Sector **	91708E700	
15	Link, Drag	91749E700	
16	Bolt, Hex	1x138	
17	Support -Rear, Axle	91702E700	
18	Rod, Tie	90038E700	
19	Pin, Cotter	STD561220	30x49
20	Bearing	90035	
21	Washer	STD551043	17x57
22	Pin, Cotter	STD560907	30x20
23	Washer	17x113	
24	Spindle Assembly, Right	91828E700	
25	Spindle Assembly, Axle & Left	91827E700	
26	Support, Front Axle	91701E700	
27	Tire (Incl'd with Key 31) *	90591	
--	Tube (Incl'd with Key 31)	407047	
28	Stem, Valve (Incl'd with Key 31)	24373	
29	Bearing, Wheel (Incl'd with Key 31)	91334	
30	Washer	17x115	
31	Wheel and Tire Assembly	90593E601	
32	Bearing **	92097	
33	Locknut, Flange **	15x113	
36	Washer **	17x83	
37	Bellows, Steering Post	91298	
38	Hub Cap	24582	

* When you order a tire, make sure to give the brand name of the tire so that the tread pattern on the tire will match.

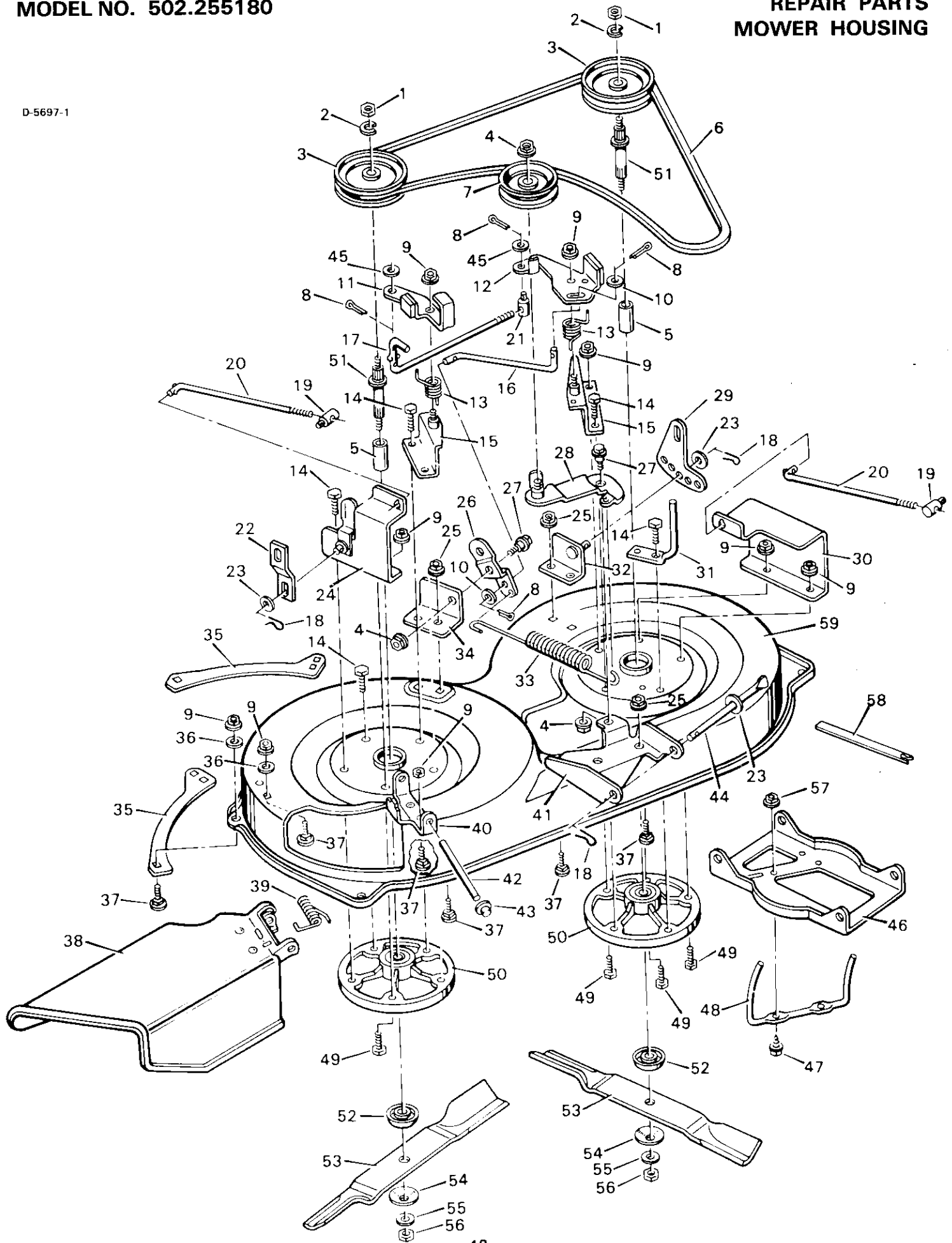
** These parts are included when you order part number 402075 (key number 8 or 13).

D-5698

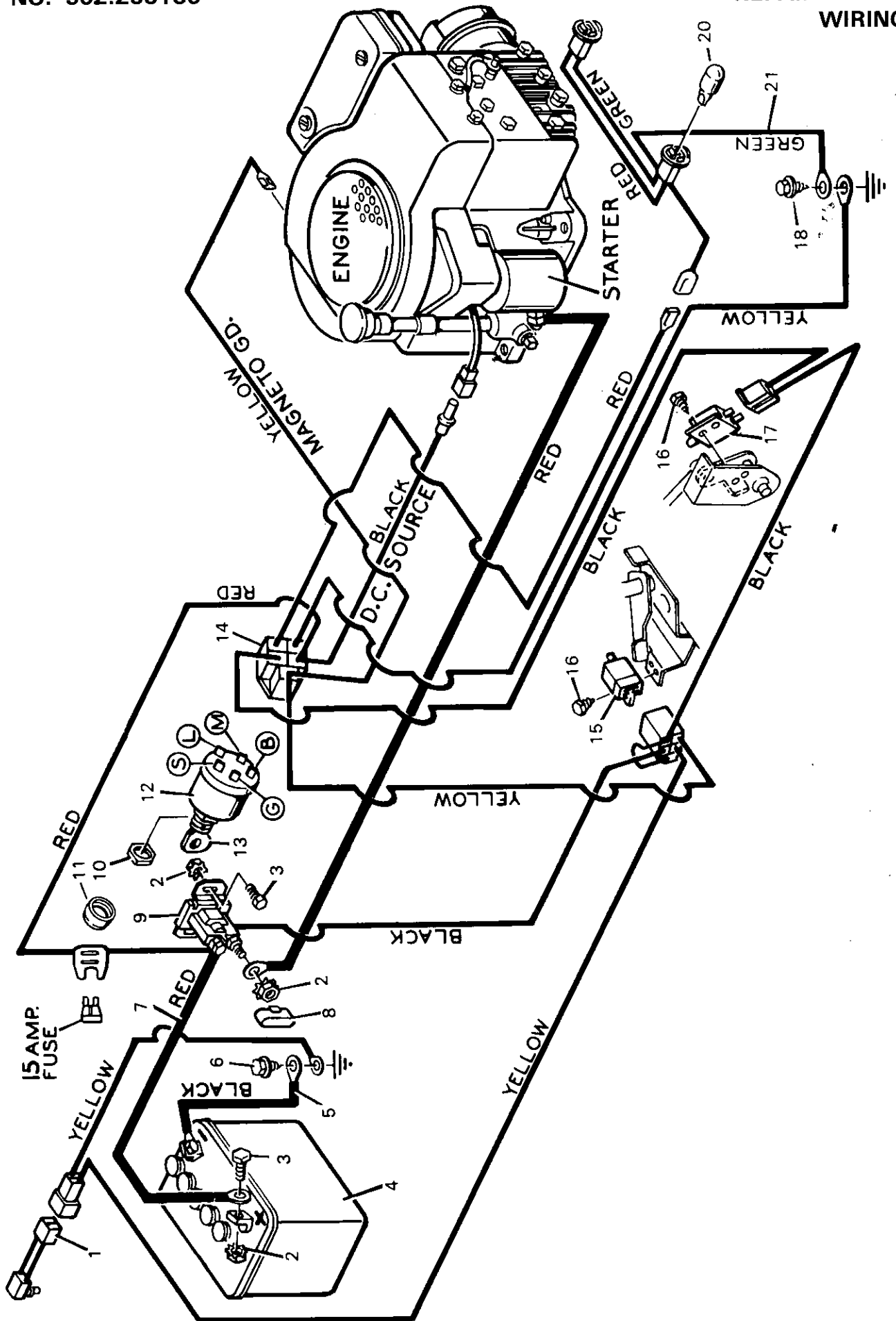


KEY NO.	DESCRIPTION	PART NO.	MFG. NO.
1	Grip	92055	
2	Lever, Blade Control	91781Z	
3	Bolt, Hex	25x3	
4	Locknut, Hex	STD541425	15x67
5	Lever Assembly, Switch	91917E700	
6	Bolt, Carriage	STD533107	2x53
7	Spring, Torsion	166x32	
8	Bracket, Left Rear Hanger	92066E700	
9	Nut, Flange	STD541031	15x79
10	Nut, Adjusting	92131	
11	Bracket, Adjuster Rod	92133E700	
12	Washer	STD551037	17x124
13	Pin, Hair	STD624005	31x4
14	Washer	STD551050	17x67
15	Pin, Pull	90827Z	
17	Lever, Lower Blade Control	91787E700	
18	Rod, Blade Control	91795Z	
19	Plate, Adjuster	91741E700	
20	Washer	STD551050	17x103
21	Bracket, Pivot	92033E700	
22	Lifter Assembly	92065E700	
23	Knob, Steel	91261	
24	Grip	91398	
25	Spring, Compression	164x21	
26	Handle Assembly	91823E700	
27	Screw	26x49	
28	Link, Suspension	92064E700	
29	Washer	STD551031	17x47Z
30	Washer	17x91Z	
31	Cover, Lift Lever	92157	
32	Screw	26x238	
33	Nut, Adjusting	21920	

D-5697-1

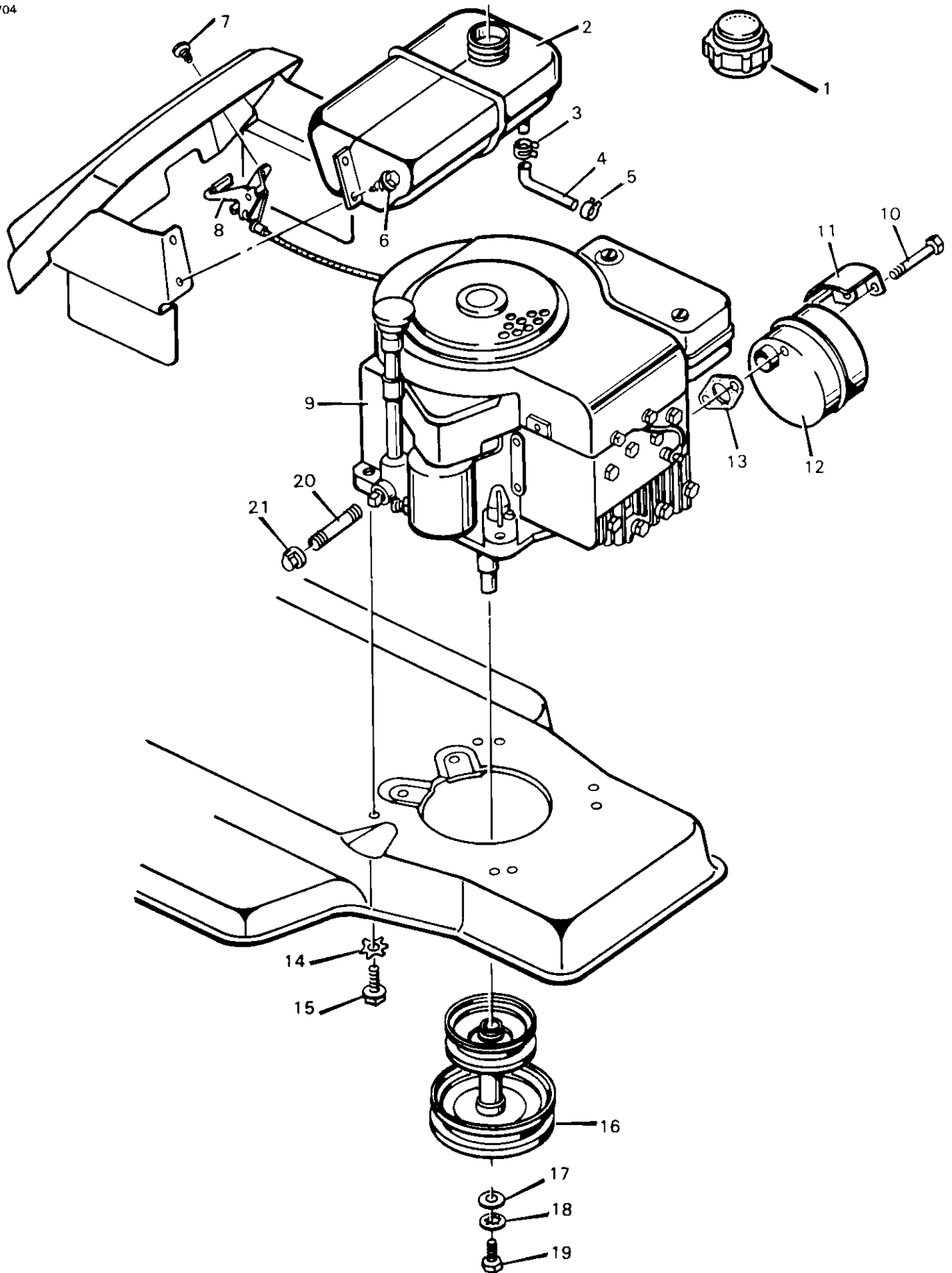


KEY NO.	DESCRIPTION	PART NO.	MFG. NO.	KEY NO.	DESCRIPTION	PART NO.	MFG. NO.
1	Nut, Hex	15x101		31	Guide, Belt	91797E700	
2	Lockwasher	18x33		32	Bracket Assy., Left Lifter	91813E700	
3	Pulley, Jackshaft	91943		33	Spring, Extension	165x72	
4	Locknut, Flange	STD541437	15x84	34	Bracket, Pivot	91743E700	
5	Spacer	91903		35	Plate	91770E700	
6	Belt, Blade Drive	37x62		36	Washer	STD551043	17x57
7	Pulley, Idler	91801		37	Bolt, Carriage	STD533107	2x53
8	Pin, Cotter	STD560907	30x20	38	Deflector Assembly, Chute	91982SE	
9	Locknut, Flange	STD541431	15x88	39	Spring, Torsion	166x4	
10	Washer	STD551031	17x46Z	40	Bracket, Hinge	91765E700	
11	Brake Assembly, Right	92186E700		41	Bracket, Front Hanger	91875E700	
12	Brake Assembly, Left	92187E700		42	Rod, Deflector	91767Z	
13	Spring, Torsion	166x27		43	Cap, Push On	28x23	
14	Bolt, Hex	25x6		44	Rod, Hanger	91739Z	
15	Bracket Assembly, Brake	92072E700		45	Washer	17x124	
16	Rod, Brake	91745Z		46	Hanger, Front	92119E700	
17	Rod, Cross Link	92183Z		47	Screw	25x4	
18	Pin, Hair	STD624005	31x4	48	Guide, Belt	92095E700	
19	Nut, Adjustable	92131		49	Bolt, Hex	STD523110	1x84
20	Rod, Adjuster	91872Z		50	Housing, Jackshaft	90905	
21	Nut, Adjustable	21920		51	Jackshaft	91922	
22	Link, Suspension	92064E700		52	Adapter, Blade	91926	
23	Washer	STD551050	17x103	53	Blade (2 required)	91871E700	
24	Bracket Assy., Right Lifter	92194E700		54	Washer, Belleville	17x166	
25	Nut, Flange	STD541031	15x79	55	Washer	17x165	
26	Bracket, Pivot	92033E700		56	Nut, Hex	15x100	
27	Bolt, Carriage	9x39		57	Locknut, Flange	STD541425	15x82
28	Arm Assembly, Idler	92032E700		58	Indicator, Plastic	92163	
29	Plate, Adjuster	91741E700		1-59	Complete Mower Housing	403229	
30	Cover, Pulley	91792E700					



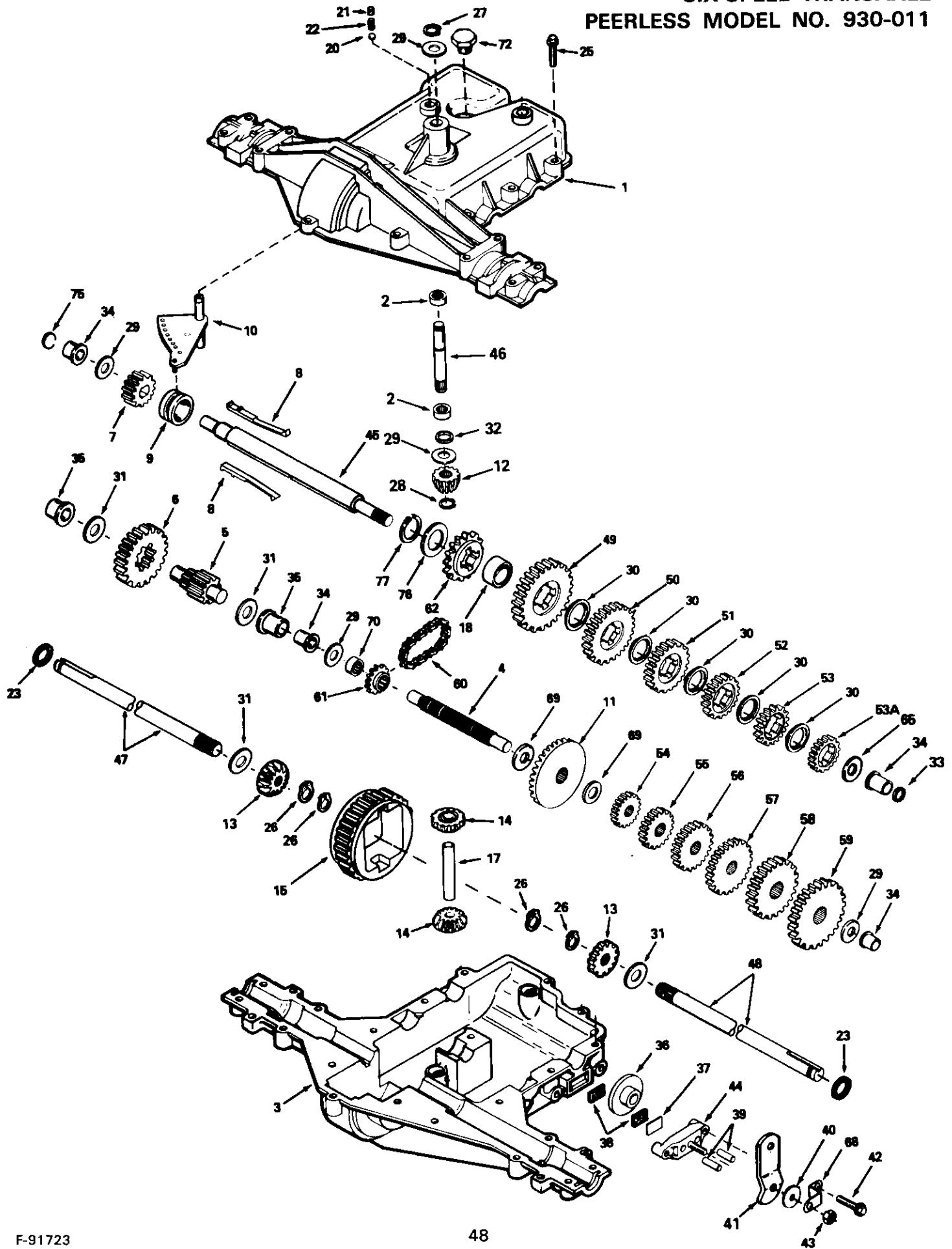
KEY NO.	DESCRIPTION	PART NO.	MFG. NO.
1	Switch, Seat Sensor	91031	
2	Locknut	STD541425	15x66
3	Bolt, Hex	STD522506	1x38Z
4	Battery - Type: U1-L	92198	
5	Acid, Battery (Electrolyte)	90665	
6	Cable, Battery Ground	24x9	
7	Screw	26x249	
8	Cable, Red Battery	24x12	
9	Cover, Solenoid	56049	
10	Solenoid	24285	
11	Nut, Hex	91489	
12	Cap, Ignition Switch	91488	
13	Switch, Ignition	91846	
14	Key & Ring, Ignition	91275	
15	Harness, Chassis Wire	250x22	
16	Fuse, Replacement	54212	
17	Holder, Fuse Replacement	407078	
18	Switch, PTO	91299	
19	Screw	26x233	
20	Switch, Clutch	24273	
21	Screw	26x214	
22	Bulb, Light	92098	
23	Harness, Light Wire	250x30	

D-5704



KEY NO.	DESCRIPTION	PART NO.	MFG. NO.
1	Fuel Cap	55988	
2	Fuel Tank	91869	
3	Hose Clamp	91174	
4	Fuel Line	92160	
5	Hose Clamp	23713	
6	Screw	26x214	
7	Screw	STD610803	26x201
8	Throttle Control	91983	
9	Engine Briggs & Stratton st--01* Model No. 286707-0122-01		
10	Bolt, Hex	1x134	
11	Shield, Muffler Heat	91277	
12	Muffler	91271	
13	Gasket	91309	
14	Washer	STD551237	19x8
15	Bolt, Engine Mount	25x7	
16	Stack Pulley Assembly	92246Z	
17	Washer	17x170	
18	Lockwasher	STD551243	19x35
19	Bolt, Hex	1x140	
20	Tube, Oil Drain	24066	
21	Cap, Oil Drain	21651	

* For repair parts, see the engine parts list pages.



KEY NO.	DESCRIPTION	PART NO.	KEY NO.	DESCRIPTION	PART NO.
1	Cover, Transaxle	772108	34	Bushing, Flanged	780105A
2	Bearing, Needle	780086	35	Bushing, Flanged	780118A
3	Case, Transaxle	770102	36	Disk, Brake	790003
4	Shaft, Counter	776260	37	Plate, Brake Pad	790007
5	Shaft Pinion Assembly, Output	776219	38	Pad, Brake	790006
6	Gear, Output	778139	39	Pin, Dowel	786026
7	Gear, Spur (15 teeth)	778272	40	Washer, Flat	792076
8	Key, Shifter	792136	41	Lever, Brake	790060
9	Collar, Shifter	784352	42	Screw, Flanged Hex hd. ¼-20x1¼	792073
10	Rod & Fork Assembly, Shift	784358	43	Nut, Lock 5/16-24	792075
11	Gear, Bevel (42 teeth)	778229	44	Holder, Brake Pad	790025
12	Bevel Pinion, Input	778113A	45	Shaft, Brake (2 keyed)	776315
13	Gear, Bevel	778221	46	Shaft, Input	776135
14	Gear, Bevel Pinion	778068	47	Axle (12-3/8" Long)	774638
15	Gear, Ring	778260	48	Axle (17" Long)	774837
17	Pin, Drive	786139	49	Gear, Spur (37 teeth)	778191
18	Spacer	786102	50	Gear, Spur (35 teeth)	778125
20	Ball, Steel (5/16" dia.)	792077	51	Gear, Spur (30 teeth)	778124A
21	Set Screw ⅜-16x⅜	792078	52	Gear, Spur (25 teeth)	778123A
22	Spring	792079	53	Gear, Spur (22 teeth)	778122A
23	Ring, Felt	788061	53A	Gear, Spur (19 teeth)	778209
25	Screw, Flange Hex Hd. ¼-20x1¼	792073	54	Gear, Spur (12 teeth)	778230
26	Ring, Retainer (Pkg. of 2)	792125	55	Gear, Spur (15 teeth)	778151
27	Ring, Retainer	792035	56	Gear, Spur (20 teeth)	778126A
28	Ring, Retainer	788040	57	Gear, Spur (25 teeth)	778127A
29	Washer, Thrust	780072	58	Gear, Spur (28 teeth)	778128A
30	Washer, Thrust	780108	59	Gear, Spur (31 teeth)	778163
31	Washer	780001	60	Chain, Roller (No. 41 chain, 24 Links)	786081
32	"O" Ring	792001	61	Sprocket (9 teeth)	786082
33	Seal, Square Cut	788051	62	Sprocket (18 teeth)	786123
			65	Washer, Thrust	780109
			68	Bracket, Brake Lever	786086
			69	Washer, Thrust	780051
			70	Spacer	786118
			72	Plug, Threaded	792074
			75	Disk	786116
			76	Washer, Thrust	780090
			77	Ring, Retaining	788075