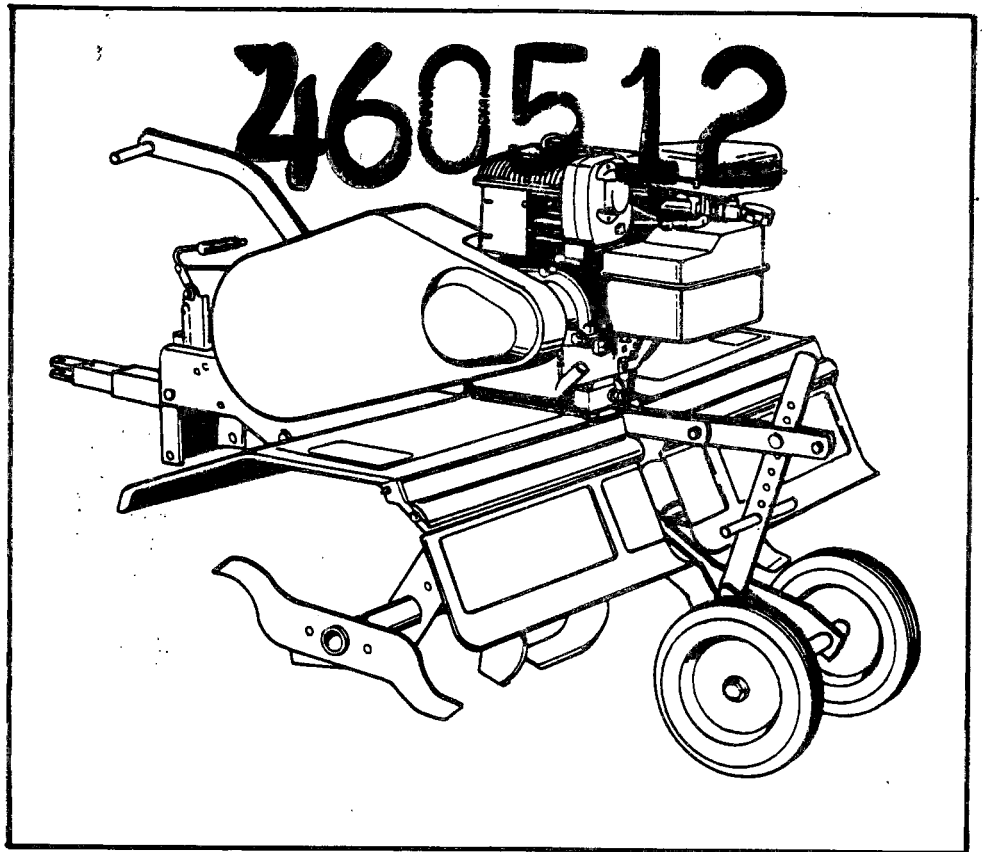


**SEARS**

**OWNER'S  
MANUAL**

**MODEL NO.  
842.252440**

**Caution:**  
Read and follow  
all Safety Rules  
and Instructions  
Before Operating  
This Equipment



**CRAFTSMAN<sup>®</sup>**

**5.0 HORSEPOWER  
36 INCH TINE WIDTH  
VERSATILE TOW BEHIND  
TILLER ATTACHMENT**

- . Assembly
- . Operation
- . Customer Responsibilities
- . Service and Adjustment
- . Repair Parts

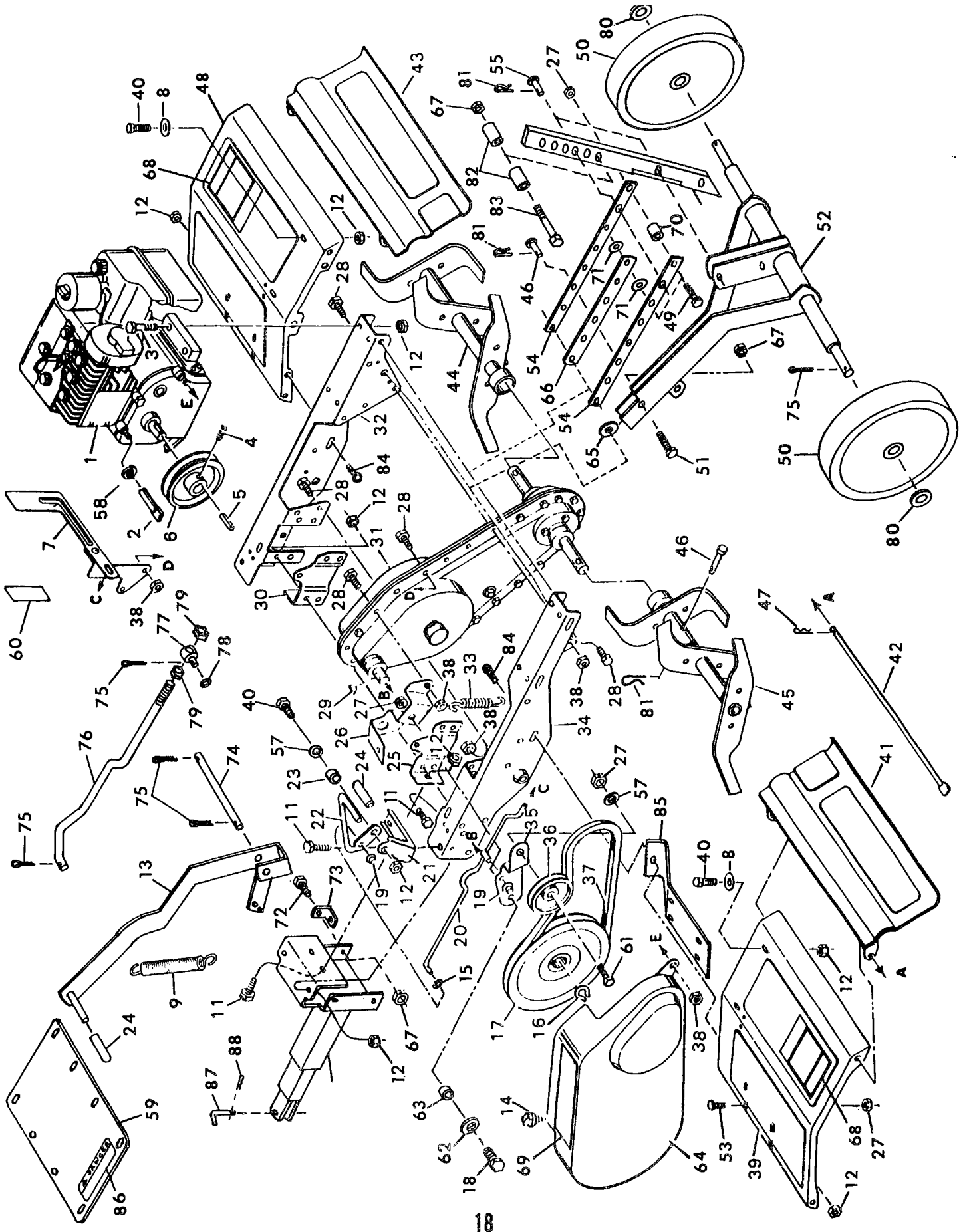
---

**Sears, Roebuck and Co., Chicago, IL 60684 U.S.A.**

---

# REPAIR PARTS

5 HP TILLER--MODEL NUMBER 842.252440



# REPAIR PARTS

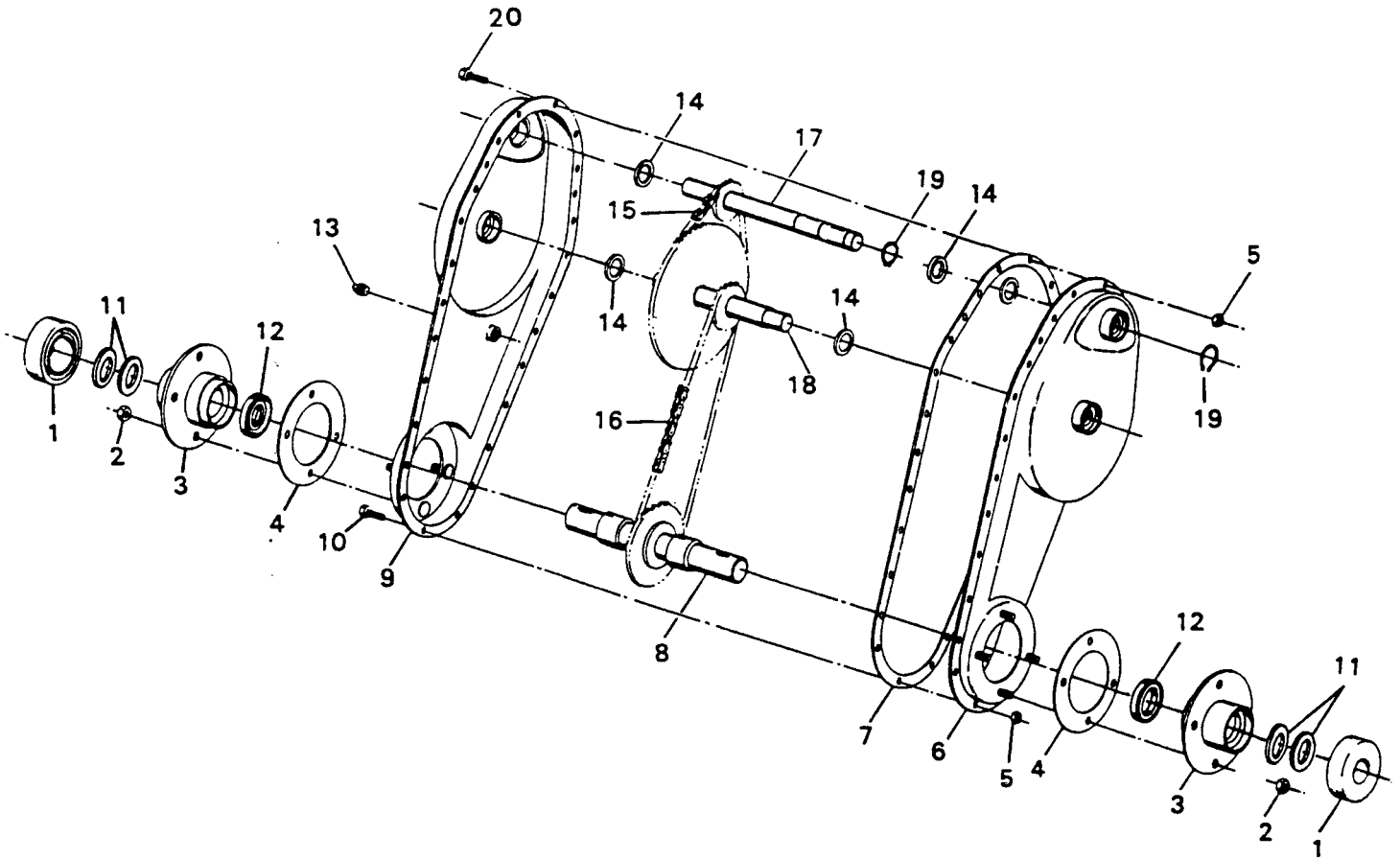
## 5 HP TILLER--MODEL NUMBER 842.252440

Ref. No.	Part Number	Description	Qty. Req.	Ref. No.	Part Number	Description	Qty. Req.
1	**	Engine	1	60	20941	Decal, Caution Flag	1
2	20295	Guide - Belt	1	61	*GM-180128	Bolt - 3/8"-16 x 1 3/4" Hex	1
3	*GM-180083	Bolt, Hex 5/16"-18 x 1 1/2"	4	62	*GM-120389	Washer - 1/2" x 1 1/4" x .083 Flat	1
4	*GM-115321	Screw, Set 5/16"-18 x 5/16"	1	63	20342	Spacer	1
5	11154	Key, Square 3/16" x 2"	1	64	20704	Belt Guide Shield (incl. #69)	1
6	20176	Pulley	1	65	14306	Washer	1
7	20171	Flag Assembly, Caution (incl. #60)	1	66	20691	Strap-Frame Extension Brace	1
8	4506	Washer - 13/31" x 1 1/2" x .1046 Flat	2	67	*GM9414074	Nut - 1/2"-13 Hex Lock 111	3
9	19860	Spring, Depth Extension	1	68	20938	Decal, Danger	2
10	80701	Hitch Bracket Assembly	1	69	20942	Decal	1
11	*GM-180079	Bolt, Hex 5/16" - 18 x 1"	10	70	5713	Spacer	1
12	*GM9413447	Locknut - 5/16" - 18 Hex	25	71	15200	Washer	2
13	20679	Lift Handle Assembly	1	72	*GM-180173	Bolt - 1/2"-13 x 1" Hex HD	1
14	15683	Screw, Tapping 1/4"	1	73	13780	Anchor - Spring	1
15	20257	Ring - 1/4 Pugh On	1	74	20706	Rod - Lift Anchor	1
16	20135	Ring, Retainer	1	75	*GM-120123	Pin - 1/2 x 1 1/4" Cotter	6
17	20184	Pulley, Input	1	76	20688	Rod - Lift	1
18	*GM-180120	Bolt - 3/8"-16 x 3/4" Hex	1	77	19649	Anchor - Adjustment	1
19	20183	Cap, Pugh On	3	78	*GM-120396	Washer - 17/32 x 1 1/16 x .095 Flat	1
20	20180	Clutch Rod Assembly	1	79	*GM-124934	Nut - 1/2-20 Hex Jam	2
21	20167	Bracket, Clutch Control	1	80	*GM-456151	Washer - 13/16 x 1 1/2 x .134 Flat	2
22	20168	Lever, Clutch	1	81	20481	Pin - Hair Cotter	6
23	20341	Spacer	1	82	7974	Spacer	2
24	20170	Grip	2	83	*GM-445608	Bolt-1/2-13 x 5 1/2 Hex HD	1
25	20162	Bracket, Guide - LH	1	84	*GM-126358	Bolt-5/16-18 x 1" Carriage	2
26	20134	Bracket, Belt Guide & Idler Mounting	1	85	20932	Bracket-Wheel Weight Support	2
27	*GM9413534	Locknut - 3/8"-16 Hex	10	86	20940	Decal-Danger	1
28	*GM-180022	Bolt, Hex 1/4"-20 x 1"	7	87	5236	Pin-Locating	1
29	20185	Key, Woodruff No. 61	1	88	3341	Pin-Hair Cotter	1
30	20163	Bracket, Guide - RH	1	NP	20711	Manual - Owner's	1
31	20119	Transmission - Complete	1				
32	20160	Chassis, Left	1				
33	20186	Spring, Extension	1				
34	20159	Chassis, Right	1				
35	20179	Bracket, Idler	1				
36	11496	Pulley, Idler	1				
37	20187	Belt	1				
38	4119	Nut - 1/4"-20 Hex Lock	8				
39	20936	Tine Shield Assembly - LH	1				
40	*GM-180077	Bolt, Hex 5/16"-18 x 3/4"	9				
41	20112	Rear Guard Assembly - LH	1				
42	20118	Connecting Pin, Rear Guard	2				
43	20113	Rear Guard Assembly - RH	1				
44	20094	Tine & Hub Assembly - RH	1				
45	20088	Tine & Hub Assembly - LH	1				
46	10070	Pin, Clevis	4				
47	3430	Cotter Pin, Hair	2				
48	20935	Tine Shield Assembly - RH	1				
49	*GM-180126	Bolt, 3/8"-16 x 1 1/2" Hex	4				
50	20918	Wheel	2				
51	*GM-180179	Bolt - 1/2"13 x 1 3/4" Hex	1				
52	20670	Pivot Axle Assembly	1				
53	*GM-126227	Bolt, Hex 3/8"-16 x 3/4" Carriage	4				
54	20725	Strap Frame Extension	2				
55	3433	Pin, Clevis	2				
56	20690	Stake, Drag	1				
57	*GM-446363	Washer	2				
58	*GM-120380	Lockwasher 1/4 Med.	1				
59	20316	Plate, Fender Support	1				

\*Standard Hardware - Purchased Locally

# REPAIR PARTS

## 5 HP TILLER--MODEL NUMBER 842.252440

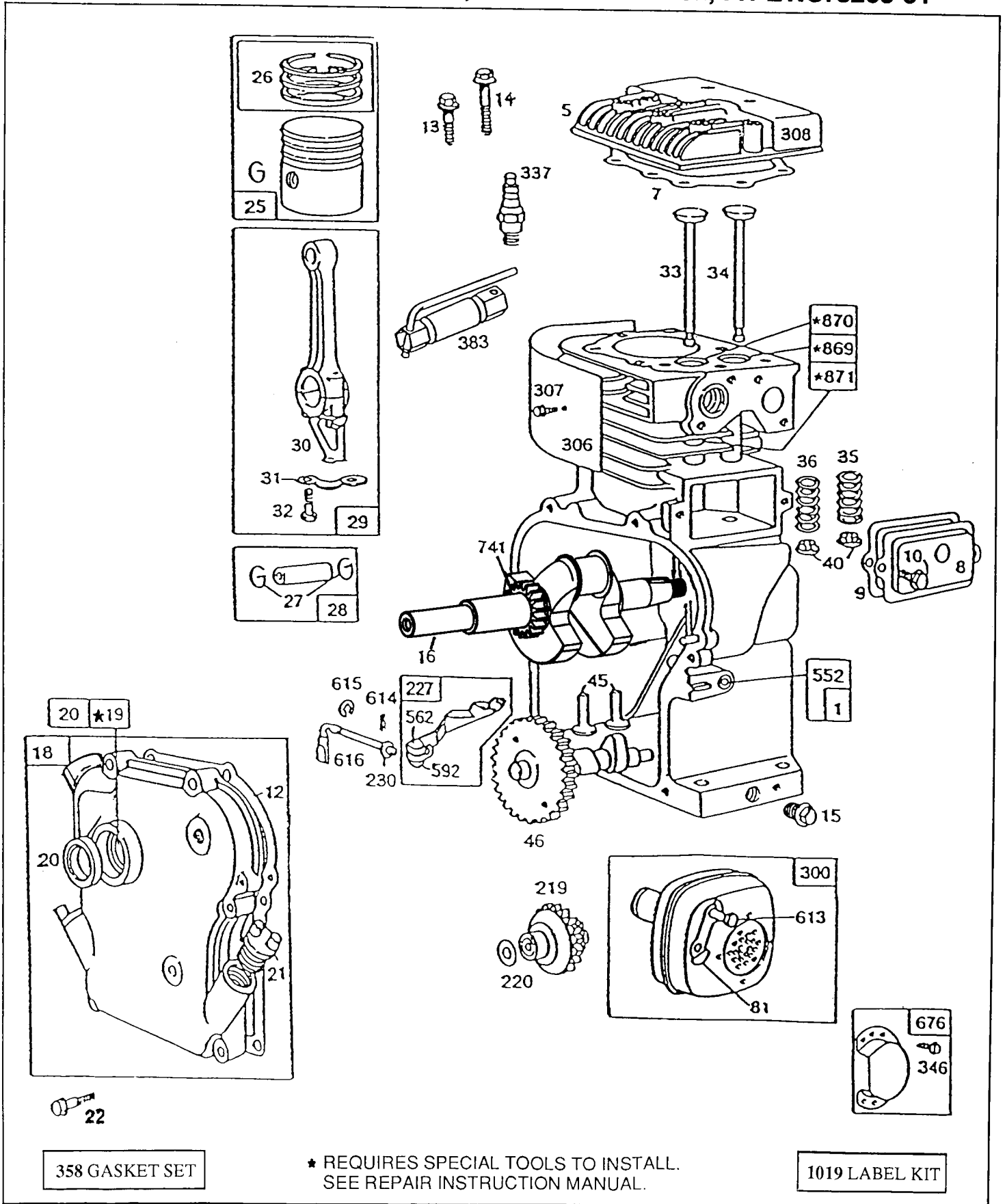


Ref. No.	Part Number	Description	Qty. Req.
1	20344	Dust Cap	2
2	*GM9413447	Locknut, 5/16"-18 Hex	8
3	20123	Flange & Bearing Assembly	2
4	20122	Gasket, Flange	2
5	4119	Locknut, 1/4"-20 Hex	17
6	20120	Drive Housing & Bearing Assembly - LH	1
7	20136	Gasket, Drive Housing	1
8	20127	Tine Shaft Assembly	1
9	20121	Drive Housing & Bearing Assembly - RH	1
10	*GM-186676	Bolt, Hex 1/4"-20 x 5/8" Grade 8	15
11	20125	Washer, Felt	4
12	20124	Seal, Rubber	2
13	20130	Plug, Transmission Oil	1
14	20129	Washer, Thrust	4
15	20132	Chain Assembly #40	1
16	20128	Chain Assembly #50	1
17	20133	Input Shaft Assembly	1
18	20131	Idler Shaft Assembly	1
19	20135	Ring, Retainer 5/8" Dia. Shaft	2
20	*GM-180024	Bolt - 1/4"-20 x 1 1/4" Hex Head	2

\*Standard Hardware - Purchased Locally

# REPAIR PARTS

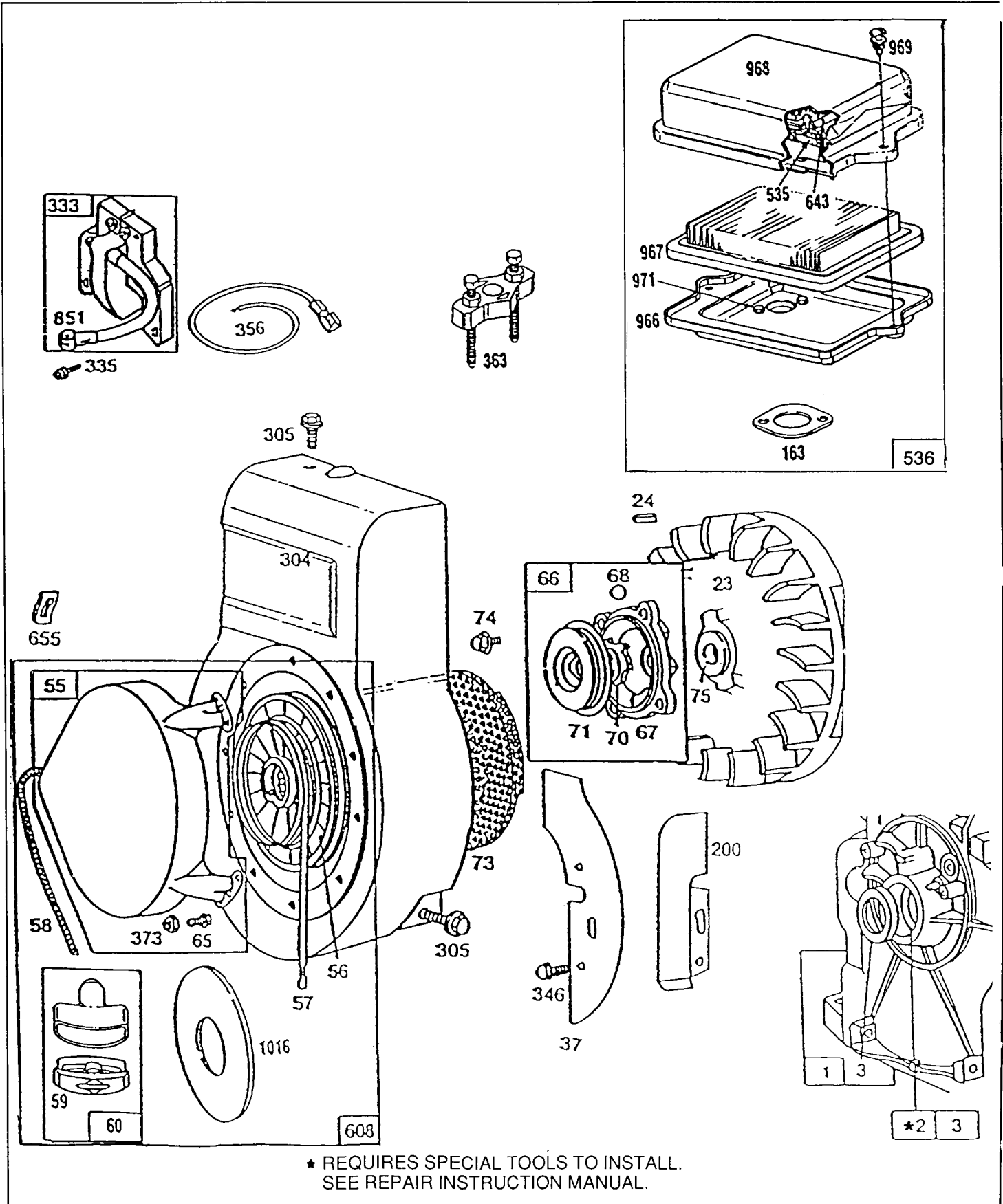
## 5 HP TILLER--MODEL NUMBER 842.252440 ENGINE--BRIGGS & STRATTON, MODEL NO. 130202, TYPE NO. 3286-01



Assemblies include all parts shown in frames.

# REPAIR PARTS

5 HP TILLER--MODEL NUMBER 842.252440  
ENGINE--BRIGGS & STRATTON, MODEL NO. 130202, TYPE NO. 3286-01



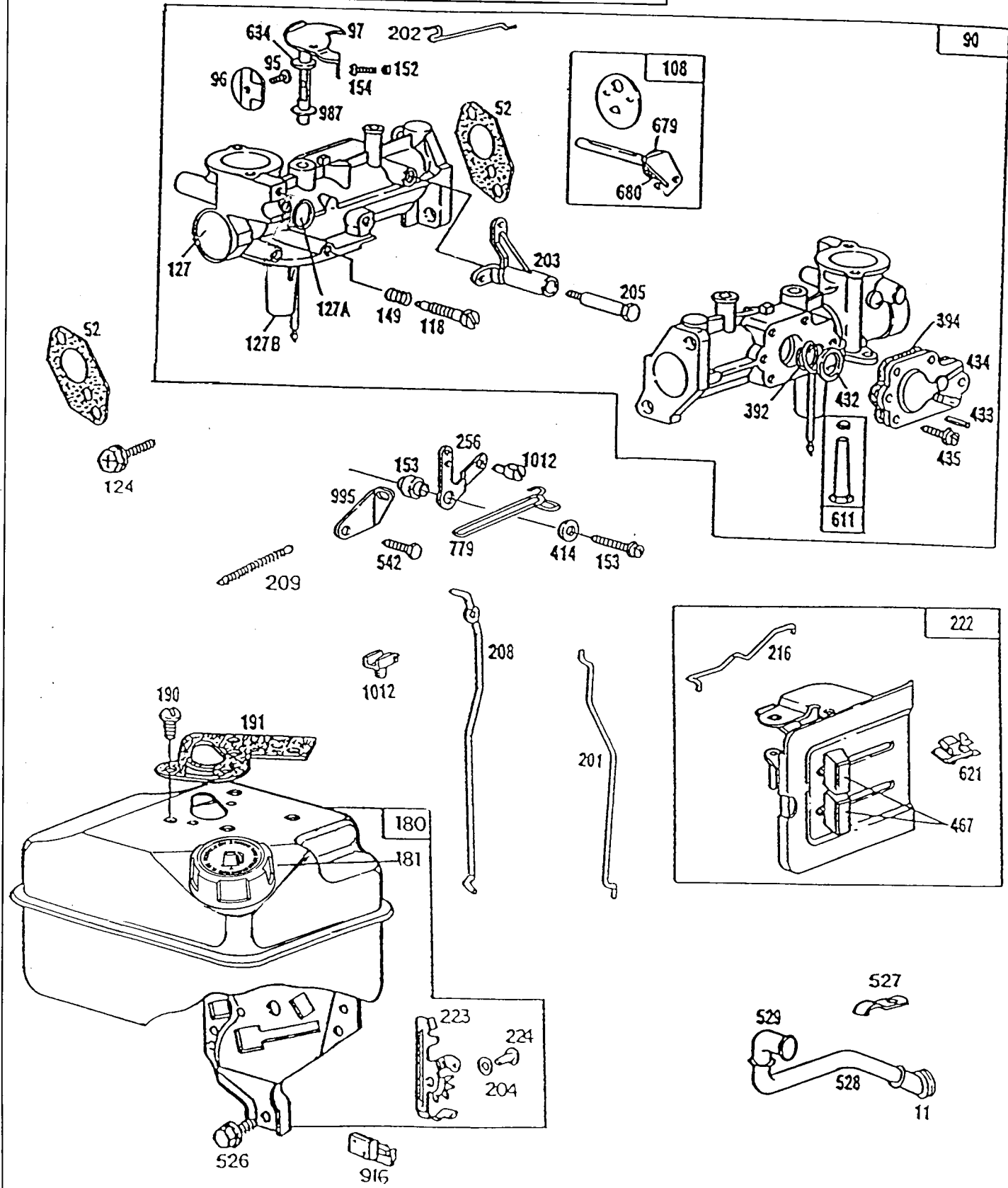
\* REQUIRES SPECIAL TOOLS TO INSTALL.  
SEE REPAIR INSTRUCTION MANUAL.

Assemblies include all parts shown in frames.

# REPAIR PARTS

## 5 HP TILLER--MODEL NUMBER 842.252440 ENGINE--BRIGGS & STRATTON, MODEL NO. 130202, TYPE NO. 3286-01

### 121 CARBURETOR OVERHAUL KIT



Assemblies include all parts shown in frames.

# REPAIR PARTS

5 HP TILLER--MODEL NUMBER 842.252440

ENGINE--BRIGGS & STRATTON, MODEL NO. 130202, TYPE NO. 3286-01

REF. NO.	PART NO.	DESCRIPTION	REF. NO.	PART NO.	DESCRIPTION	REF. NO.	PART NO.	DESCRIPTION	
1	395990	Cylinder Assembly	26	298982	Ring Set--Piston (Standard)	74	93758	Screw--Hex. Head	
2	297565	Bushing--Cylinder <b>Note:</b> Requires Special Tools For Installation.		298983	Ring Set--Piston (.010" O.S.)	75	224061	Washer--Spring	
3	299819	Seal--Oil		298984	Ring Set--Piston (.020" O.S.)	81	222263	Lock--Screw	
5	211542	Head--Cylinder		298985	Ring Set--Piston (.030" O.S.)	90	492611	Carburetor Assembly	
7	★272157	Gasket--Cylinder Head	27	26026	Lock--Piston Pin	95	93499	Screw--Throttle Valve to Shaft	
8	294178	Breather--Valve Chamber	28	298909	Pin Assy.--Piston (Standard)	96	223793	Throttle--Carburetor	
9	★27549	Gasket--Valve Cover		298908	Pin Assy.--Piston (.005" O.S.)	97	490048	Shaft and Lever--Throttle	
10	94621	Screw--Breather Mtg.		299430	Rod Assy.--Connecting Rod <b>Note:</b> For Connecting Rod With .020" Undersize Crankpin Bore--Order No. 390459.	108	491177	Valve Group--Choke	
11	66578	Grommet--Brea. Tube	30	221890	Dipper--Connecting Rod	118	231533	Valve--Needle	
12	★270080	Gasket--Crankcase (.015" Thick, Standard)	31	221876	Lock--Connecting Rod Screw	121	494624	Carburetor Overhaul Kit	
	★270125	Gasket--Crankcase (.005" Thick)		32	92296	Screw--Connecting Rod	124	93357	Screw--Hex. Head
	★270126	Gasket--Crankcase (.009" Thick)		33	211119	Valve--Exhaust	127	220352	Plug--Welch
13	94221	Screw--Cylinder Head		34	261044	Valve--Intake	127A	223789	Plug--Welch (Mixing Chamber)
14	93369	Screw--Cylinder Head		35	260552	Spring--Intake Valve	149	26336	Spring--Needle Valve
15	94387	Plug--Pipe		36	26478	Spring--Exhaust Valve	152	260575	Spring--Throttle Adjustment
16	492088	Crankshaft <b>Note:</b> To Replace Crankshaft Gear Pin, Order Part No. 230978.		37	222443	Guard--Flywheel	153	490589	Screw Assy.
18	297602	Cover Assy.--Crckse.		40	93312	Retainer--Valve Spring	154	93527	Screw--Machine Rd. Hd.
19	297603	Bushing--Crckse. Cover <b>Note:</b> Requires Special Tools For Installation.		45	260642	Tappet--Valve	163	271935	Gasket--Air Cleaner Mounting
20	294606	Seal--Oil		46	212733	Gear--Cam	180	492927	Tank Assembly--Fuel
21	66768	Plug--Oil Filler		52	★271936	Gasket--Carb. Mtg.	181	490075	Cap--Fuel Tank
22	93032	Screw--Crankcase Cover Mounting Sem <b>Note:</b> 94666 Stud 90832 Lockwasher		55	299431	Housing--Rewind Starter	190	94094	Screw--Fuel Tank Mounting Sem
23	297229	Flywheel--Magneto		56	295871	Pulley--Rewind Starter (Includes 63" Long Rope)	191	★272410	Gasket--Fuel Tank Mounting
24	222698	Key--Flywheel		57	490179	Spring--Rewind Starter	200	223886	Guide--Air
25	298904	Piston Assy. (Standard)		58	66884	Rope--Rewind Starter (63" Long)	201	262280	Link--Governor
	298905	Piston Assy. (.010" O.S.)		59	490653	Insert--Starter Handle	202	262270	Link--Throttle
	298906	Piston Assy. (.020" O.S.)		60	490652	Handle--Rewind Starter	203	280720	Crank--Bell
	298907	Piston Assy. (.030" O.S.)		65	94128	Screw--Stamped Steel Housing Mtg. Sem	204	222962	Bushing--Gov. Lever
				66	399671	Clutch Assy.--Rewind Starter	205	231520	Screw--Shoulder
				67	394897	Housing--Starter Clutch	208	262279	Rod--Control
				68	63770	Ball--Clutch	209	262282	Spring--Governor
				70	298799	Ratchet--Rewind Starter	216	262359	Link--Choke
				71	394506	Washer--Clutch Retainer	219	494845	Gear--Governor
				73	221923	Screen--Starter Pulley	220	221551	Washer--Thrust
							222	490649	Bracket--Control
							223	223455	Lever--Gov. Control
							224	93491	Rivet--Governor Control Lever Mounting
							227	490374	Lever Assy.--Governor
							230	222450	Washer--Gov. Lever
							256	223813	Crank--Bell
							300	393615	Muffler--Exhaust
							304	490169	Housing--Blower

### PISTON RING SETS:

**Note:** For Chrome Piston Ring Set (Standard Size) Order Part No. 299742.

★ Included in Gasket Set--Part No. 397145.

● Included in Carburetor Overhaul Kit--Part No. 494624.

# REPAIR PARTS

## 5 HP TILLER--MODEL NUMBER 842.252440

### ENGINE--BRIGGS & STRATTON, MODEL NO. 130202, TYPE NO. 3286-01

REF. NO.	PART NO.	DESCRIPTION	REF. NO.	PART NO.	DESCRIPTION	REF. NO.	PART NO.	DESCRIPTION
305	93158	Screw-Blower Housing Mounting	529	67838	Grommet-Breather Tube	680	221839	Washer Choke Shaft (Brass)
306	221511	Shield-Cylinder	535	491435	Element-Air Cleaner	741	261696	Gear-Timing
307	93490	Screw-Cylinder Shield Mounting Sem	536	494279	Air Cleaner Kit	779	262276	Link-Control
308	221512	Cover-Cylinder Head	542	93572	Screw	851	221798	Cable Terminal-Ignition
333	397358	Armature Assembly	552	231079	Bushing-Governor Crank (1/4" I.D.)	869	211787	Seat-Intake Valve (Standard)
335	93414	Screw-ArmatureMtg.	562	92613	Bolt-Governor Lever	870	211172	Seat-Exhaust Valve (Standard)
337	492167	Plug-Spark	592	231082	Nut-Hex.			<b>Note: For Options See Repair Manual.</b>
346	93705	Screw-Sem	608	390463	Starter Assy.-Rewind	871	262001	Guide-Exhaust Valve
356	398808	Wire-Ground	611	391813	Fuel Pipe and Clip Assembly			<b>Note: 63709 Guide-Intake Valve</b>
358	397145	Gasket Set	613	93935	Screw-Hex. Hd. Shoulder			<b>See Repair Instruction Manual.</b>
363	19069	Flywheel Puller	614	93306	Pin-Cotter	916	280321	Gear Rack-Governor
373	92987	Nut-Hex.	615	93307	Retainer-E-Ring	966	490074	Base-Air Cleaner
383	89838	Wrench-Spark Plug	616	231077	Crank-Governor	967	491588	Filter-Air
392	262328	Spring-Fuel Pump Diaphragm	621	396847	Switch-Stop	968	223765	Cover-Air Cleaner
394	270026	Diaphragm	634	271853	Washer-Throttle Shaft (Foam)	969	490073	Screw-Cover Mtg. (Includes Grommet)
414	220982	Washer	643	280737	Retainer-Foam Element	971	94018	Screw-Air Cleaner
432	221377	Cap-Spring	655	222598	Insert-Spring Anchor	987	398970	Seal-Throttle Shaft
433	93265	Pin-Diaphragm Cover	676	393757	Deflector-Exhaust (Side Outlet)	995	223887	Bracket-Link
434	210959	Cover-Diaphragm	679	270382	Washer Choke Shaft (Foam)	1012	490507	Link-Retainer
435	93141	Screw-Diaph. Cover				1016	490817	Spacer
467	280715	Knob-Control				1019	491100	Label Kit
526	94409	Screw-Tank Bracket Mounting Sem						
527	223786	Clamp-Breather Tube						
528	231550	Tube-Breather						

**Note: The following part is required by local law in some locations.**

399541 Spark Arrestor Assembly

\* Included in Gasket Set-Part No. 397145.

• Included in Carburetor Overhaul Kit-Part No. 494624.

---

# SERVICE NOTES

---